



US00D903343S

(12) **United States Design Patent** (10) **Patent No.:** **US D903,343 S**
Buonincontro (45) **Date of Patent:** **** Dec. 1, 2020**

(54) **WEARABLE SEAT**

FOREIGN PATENT DOCUMENTS

(71) Applicant: **John Buonincontro**, Bristol, VT (US)

| | | |
|----|------------|--------|
| DE | 177557 | 9/1905 |
| FR | 2624354 A1 | 6/1989 |
| GB | 2524267 A | 9/2015 |

(72) Inventor: **John Buonincontro**, Bristol, VT (US)

(**) Term: **15 Years**

OTHER PUBLICATIONS

(21) Appl. No.: **29/688,340**

Wearable noonee chairless chair improves workers' productivity, announced Aug. 25, 2014 [online], [site visited Mar. 31, 2020]. Available from internet, URL: <<https://www.designboom.com/technology/noonee-chairless-chair-workers-08-25-2014/>> (Year: 2014).*

(22) Filed: **Apr. 19, 2019**

(51) **LOC (12) Cl.** **06-01**

(52) **U.S. Cl.**

USPC **D6/334**; D6/368

(58) **Field of Classification Search**

USPC D6/329, 334-335, 370-383, 716, D6/716.1-716.8, 368; D2/700, 624, 641, D2/999

CPC A41B 9/008; A41B 9/14; A41D 13/00; A41D 13/0002; A41D 13/0007; A47C 1/00; A47C 3/12; A47C 17/00; A47C 17/02

See application file for complete search history.

Primary Examiner — Cynthia Ramirez

Assistant Examiner — Xavier Marti-Santos

(74) *Attorney, Agent, or Firm* — Shawn Gordon, Esq.; Dunkiel Saunders Elliott Raubvogel & Hand, PLLC

(57) **CLAIM**

The ornamental design for a wearable seat, as shown and described.

DESCRIPTION

FIG. 1 is a perspective view of a first embodiment of a wearable seat laid open;

FIG. 2 is a front view thereof;

FIG. 3 is a back view thereof;

FIG. 4 is a top side view thereof;

FIG. 5 is a bottom side view thereof;

FIG. 6 is a left side view thereof;

FIG. 7 is a right side view thereof;

FIG. 8 is a back view of a second embodiment of a wearable seat design;

FIG. 9 is a top view thereof;

FIG. 10 is a bottom side view thereof;

FIG. 11 is a left side view thereof; and,

FIG. 12 is a right side view thereof.

The front view of the wearable seat is the same in the first and second embodiments. The broken lines represent portions of the wearable seat design, which form no part of the claimed design.

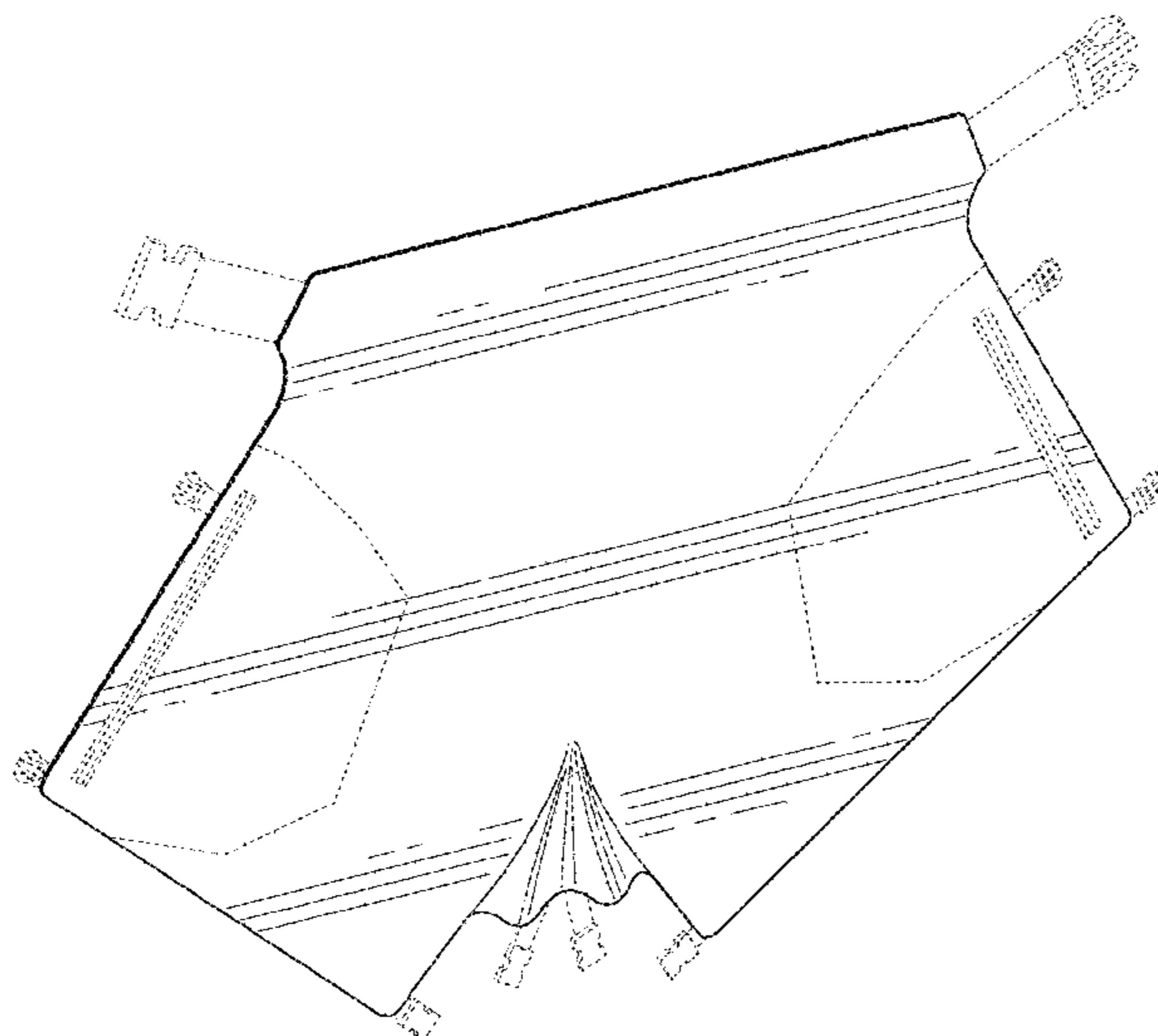
(56) **References Cited**

U.S. PATENT DOCUMENTS

| | | | |
|---------------|---------|-----------|--------------|
| 2,516,598 A | 7/1950 | Selkirk | |
| 2,829,386 A | 4/1958 | Peer | |
| 3,185,362 A | 5/1965 | Wakefield | |
| 3,212,690 A | 10/1965 | Green | |
| 3,708,799 A | 1/1973 | Smithdeal | |
| 4,138,156 A * | 2/1979 | Bonner | A47C 9/10 |
| | | | 297/4 |
| 4,151,613 A * | 5/1979 | Rhee | A63B 71/12 |
| | | | 2/465 |
| 4,735,423 A * | 4/1988 | Foss | B62B 15/00 |
| | | | 2/2.5 |
| 4,894,869 A | 1/1990 | Boll | |
| 4,928,789 A * | 5/1990 | Claeys | A62B 35/0012 |
| | | | 182/230 |
| 5,038,408 A | 8/1991 | DeBaene | |

(Continued)

1 Claim, 8 Drawing Sheets



(56)

References Cited

U.S. PATENT DOCUMENTS

| | | | | |
|--------------|------|---------|----------------|-----------------------|
| 5,241,706 | A | 9/1993 | Netz | |
| 5,275,315 | A * | 1/1994 | Carmack | A45F 3/00 2/94 |
| 5,398,667 | A | 3/1995 | Witt | |
| 5,551,091 | A | 9/1996 | Tyndall | |
| 5,625,895 | A | 5/1997 | Sovereign | |
| 5,727,260 | A * | 3/1998 | Torch | A41D 13/0537 2/455 |
| 6,161,220 | A | 12/2000 | Crisp | |
| 6,175,959 | B1 | 1/2001 | Somers | |
| 6,345,391 | B1 | 2/2002 | Somers | |
| 6,345,396 | B1 | 2/2002 | Schuler | |
| D507,106 | S * | 7/2005 | Lyle | D3/228 |
| D584,479 | S | 1/2009 | Jones et al. | |
| 7,651,016 | B2 | 1/2010 | Stewart | |
| D627,932 | S * | 11/2010 | Mendoza | D29/101.5 |
| 8,032,949 | B1 | 10/2011 | Matthews | |
| 8,646,116 | B2 * | 2/2014 | Crye | A41D 13/0525 2/2.5 |
| D737,065 | S * | 8/2015 | O'Reilly | D6/368 |
| 10,212,974 | B1 * | 2/2019 | Joshi | A41D 13/0506 |
| 2005/0106997 | A1 | 5/2005 | Smith | |
| 2006/0064045 | A1 | 3/2006 | Khavari | |
| 2008/0109929 | A1 | 5/2008 | Soules | |
| 2008/0122267 | A1 * | 5/2008 | Larson | A47C 4/52 297/4 |
| 2018/0317662 | A1 * | 11/2018 | Gunura | A47C 9/025 |

* cited by examiner

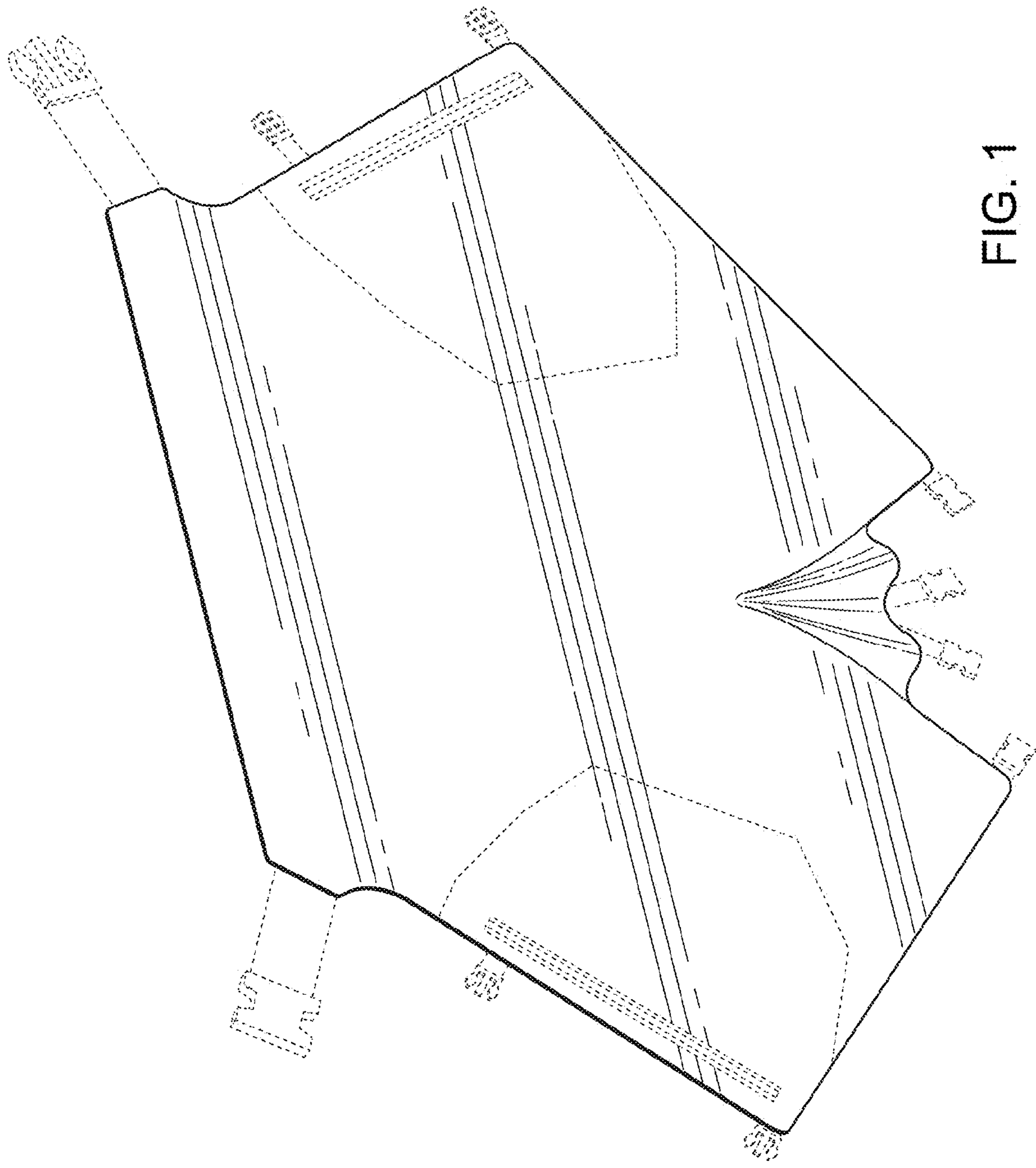


FIG. 1

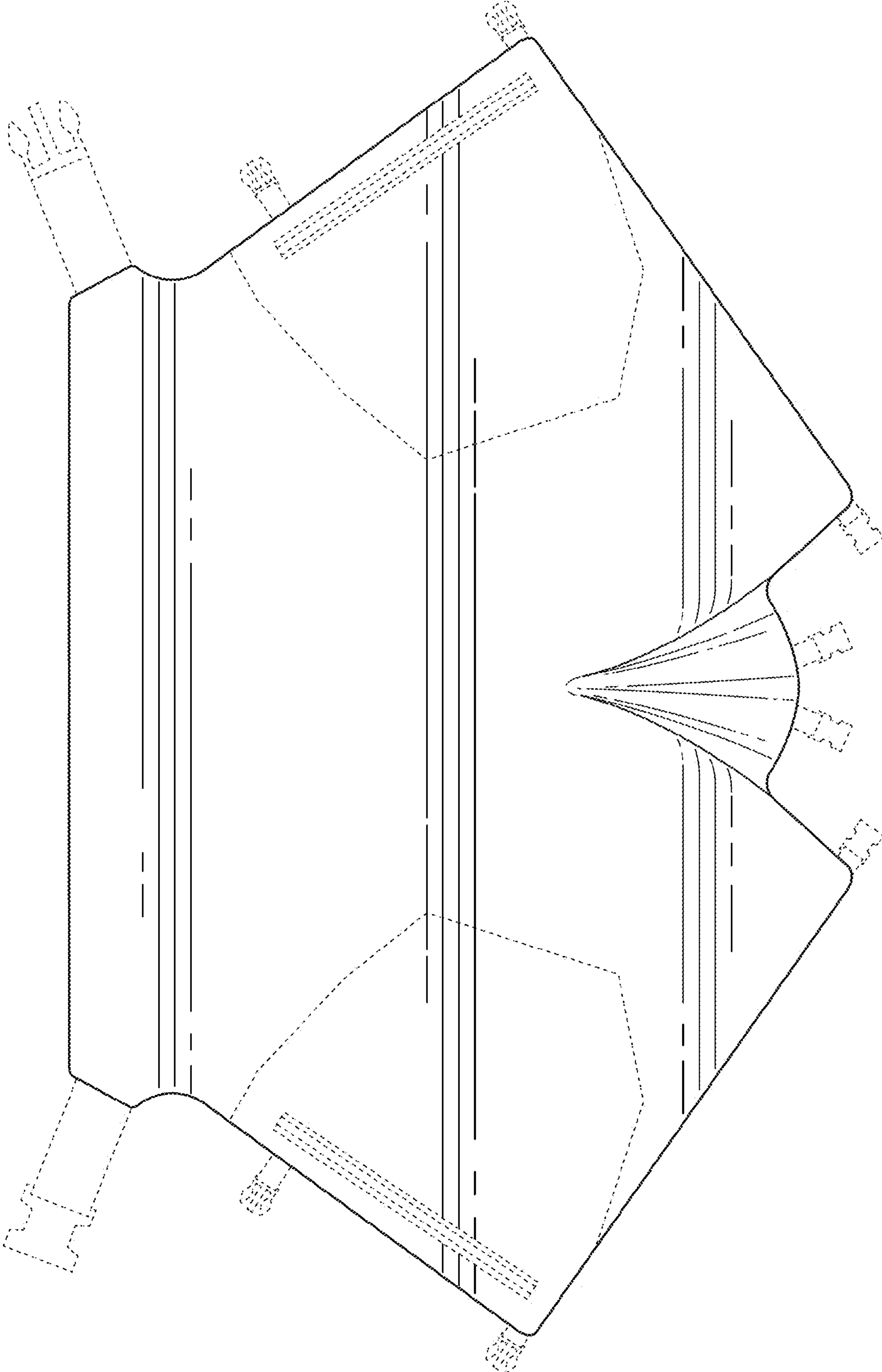


FIG. 2

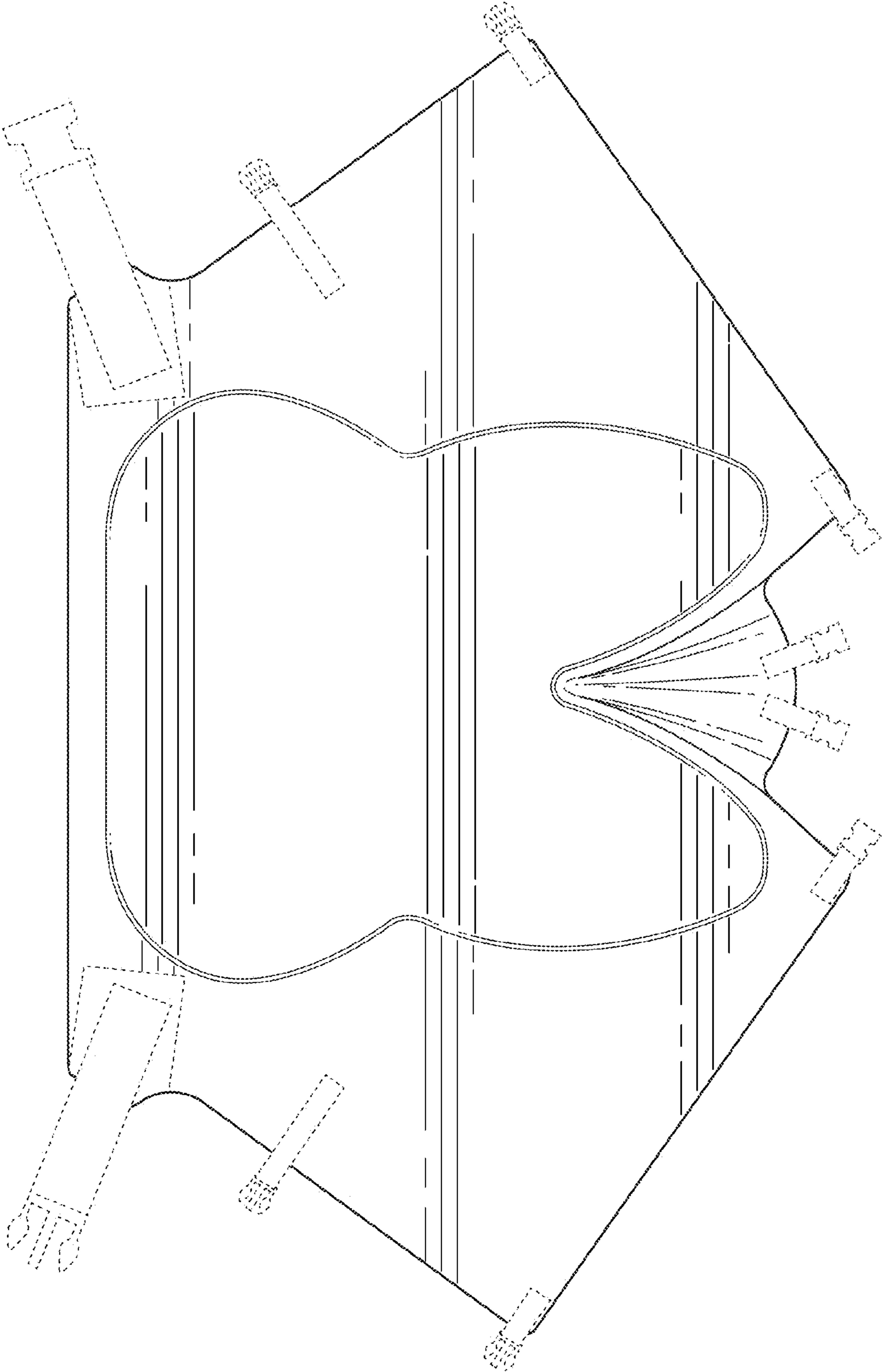


FIG. 3



FIG. 4



FIG. 5

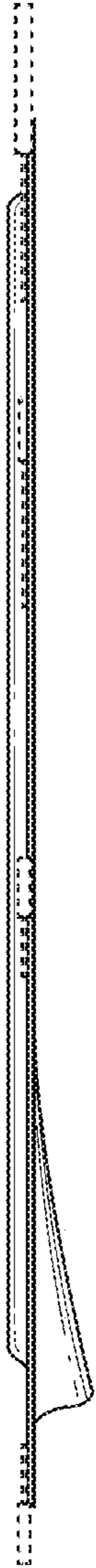


FIG. 6

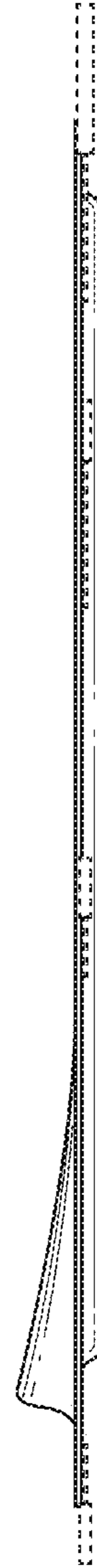


FIG. 7

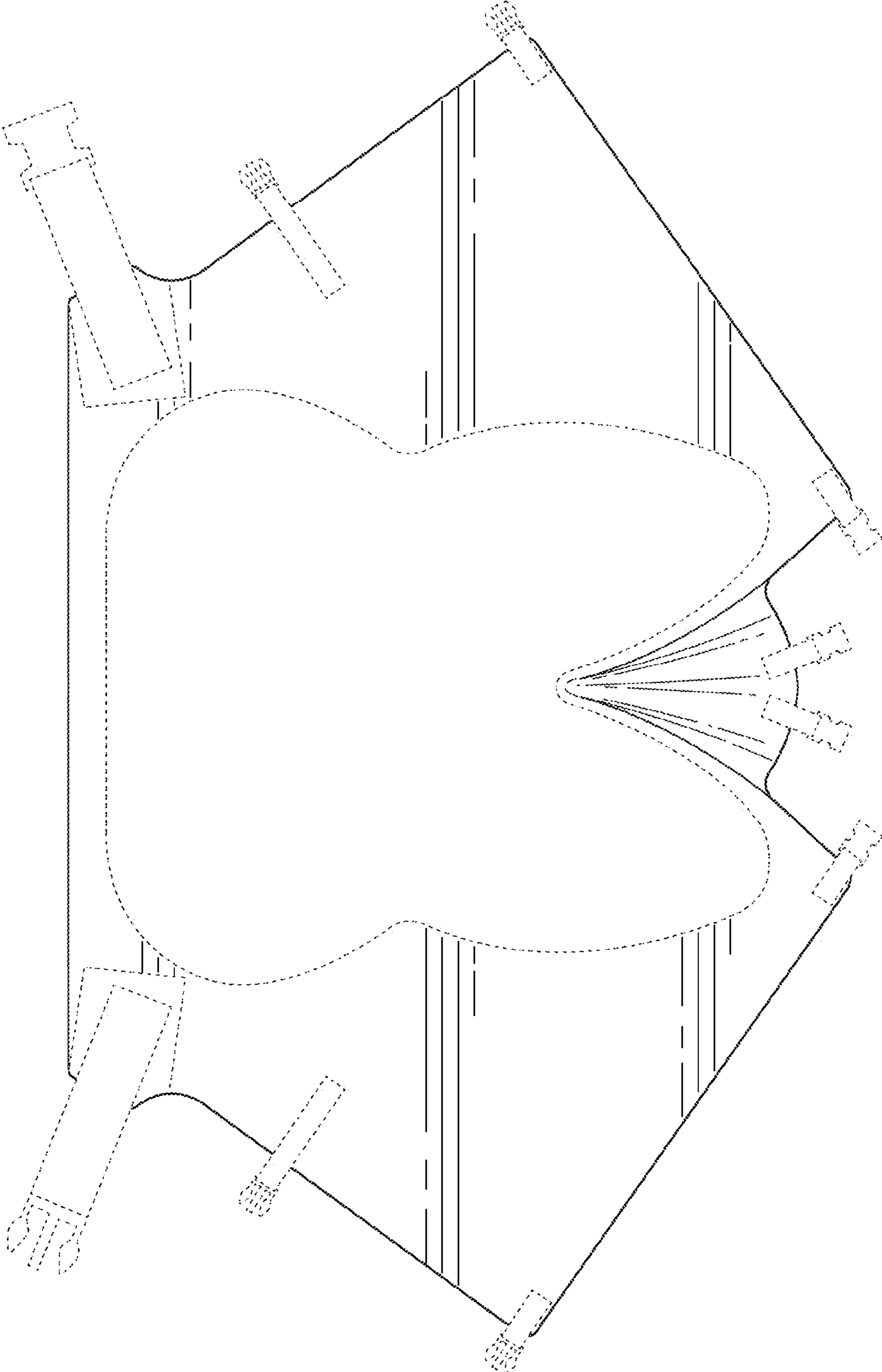


FIG. 8

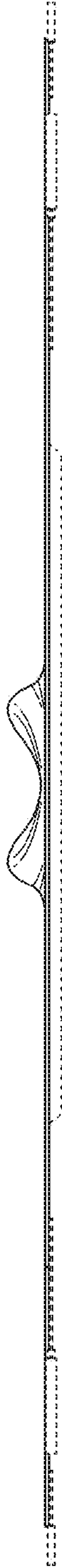


FIG. 9

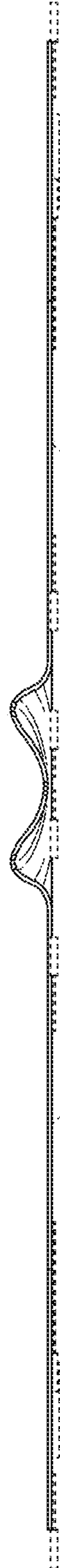


FIG. 10

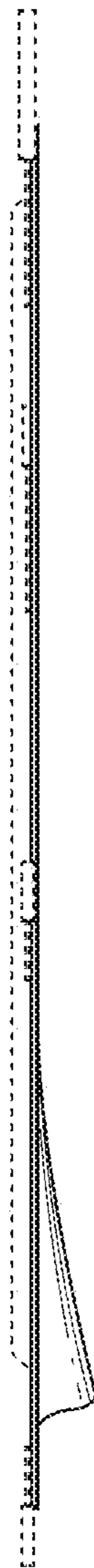


FIG. 11

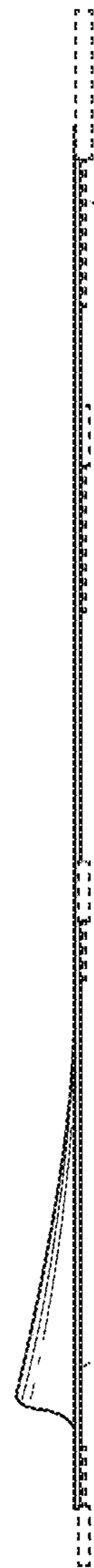


FIG. 12