



US00D903342S

(12) **United States Design Patent**
Peleman

(10) **Patent No.:** **US D903,342 S**
(45) **Date of Patent:** **** Dec. 1, 2020**

(54) **FRAME COMPONENT**
(71) Applicant: **PELEMAN INDUSTRIES, naamloze vennootschap, Puurs (BE)**
(72) Inventor: **Guido Peleman, Knokke-Heist (BE)**
(73) Assignee: **PELEMAN INDUSTRIES, NAAMLOZE VENNOOTSCHAP, Puurs (BE)**

4,729,183 A * 3/1988 Tarter A47G 1/0605
40/766
4,993,866 A * 2/1991 Sugihara A47G 1/101
403/402
D345,541 S * 3/1994 Schmitz D12/193
D346,278 S * 4/1994 Pritchett D6/300
6,520,240 B2 * 2/2003 Sooklaris B44D 3/185
160/374.1
D619,376 S * 7/2010 Schopmeyer D6/300
9,302,531 B2 * 4/2016 Siegel B44D 3/185
(Continued)

(**) Term: **15 Years**

Primary Examiner — Cynthia Ramirez
Assistant Examiner — Xavier Marti-Santos
(74) *Attorney, Agent, or Firm* — Nixon & Vanderhye

(21) Appl. No.: **29/684,144**

(22) Filed: **Mar. 19, 2019**

(30) **Foreign Application Priority Data**

Feb. 26, 2019 (EP) 006267662-0002

(51) **LOC (12) Cl.** **06-07**

(52) **U.S. Cl.**
USPC **D6/300**

(58) **Field of Classification Search**
USPC D6/300, 301, 302, 303, 304, 307, 309,
D6/310, 311, 312, 313, 314; D8/349,
D8/354; D11/132, 133; D20/10, 19, 27,
D20/42; D25/48.3, 48.7, 60, 110, 119,
D25/124
CPC A47G 1/06; A47G 1/0605; A47G 1/0633;
A47G 1/0638; A47G 1/0644; A47G 1/08;
A47G 1/10; A47G 1/14; A47G 1/141;
A47G 1/142; A47G 1/16; A47G 1/1606;
A47G 1/1613; A47G 2001/0661; A47G
2001/0672; A47G 2001/0688; A47G
2001/148

See application file for complete search history.

(56) **References Cited**

U.S. PATENT DOCUMENTS

1,824,187 A * 9/1931 Adams E06B 9/52
160/379
D168,325 S * 12/1952 Abrams D6/300

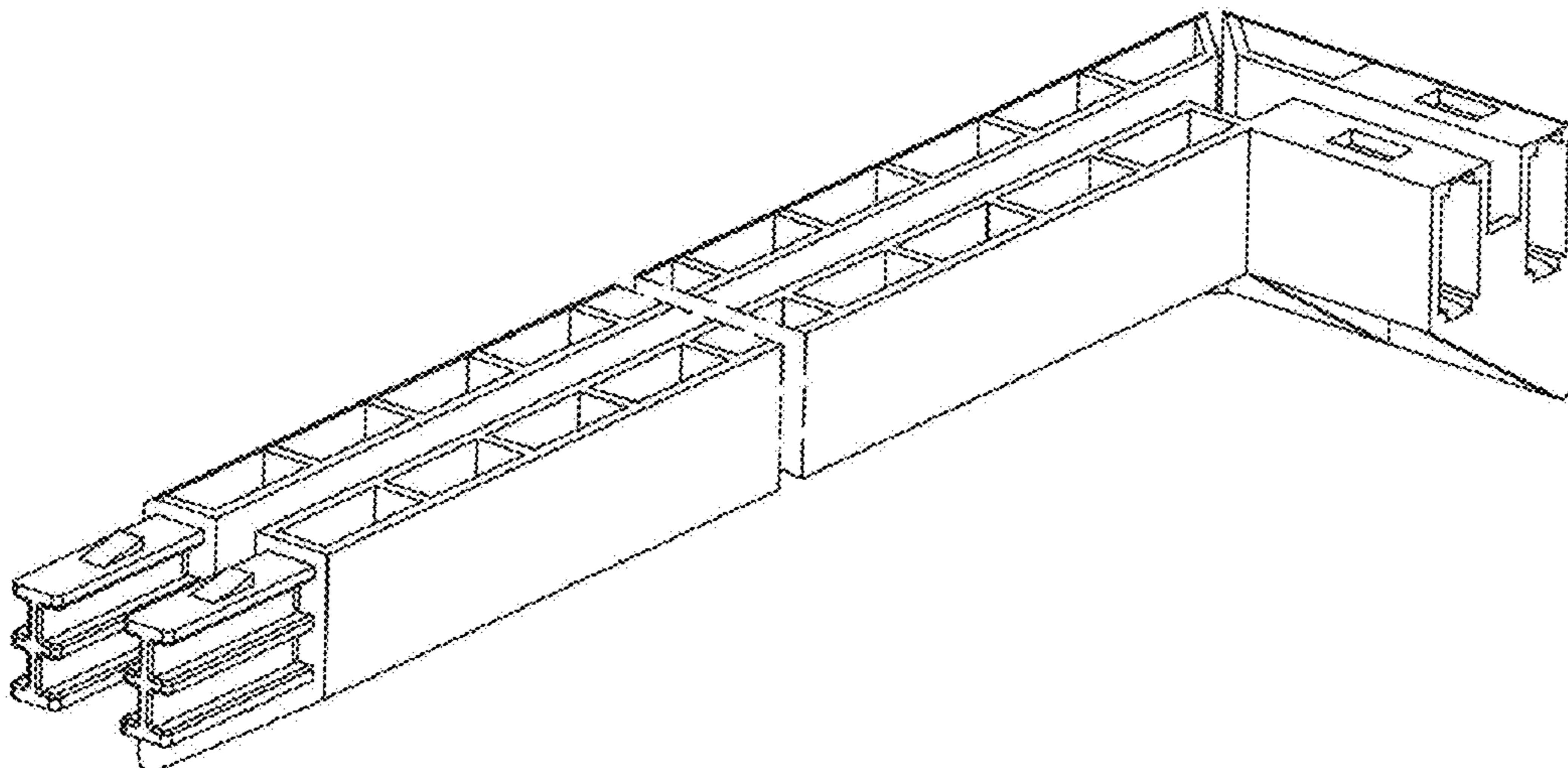
(57) **CLAIM**

The ornamental design for a frame component, as shown and described.

DESCRIPTION

FIG. 1 is a front, left side, and bottom perspective view of a frame component showing the new design;
FIG. 2 is a left side, rear, and top perspective view thereof;
FIG. 3 is a rear elevation view thereof;
FIG. 4 is a front elevation view thereof;
FIG. 5 is a left side elevation view thereof;
FIG. 6 is a right side elevation view thereof;
FIG. 7 is a bottom plan view thereof;
FIG. 8 is a top plan view thereof; and,
FIG. 9 is a frame component in a condition of use.
The frame component is shown with a symbolic break in its length. The appearance of any portion of the article between the break lines forms no part of the claimed design.
The broken lines in FIG. 9 are to show environment and form no part of the claimed design.

1 Claim, 5 Drawing Sheets



(56)

References Cited

U.S. PATENT DOCUMENTS

D808,178 S * 1/2018 Jones D6/300
9,962,019 B1 * 5/2018 Padilla G09F 19/00

* cited by examiner

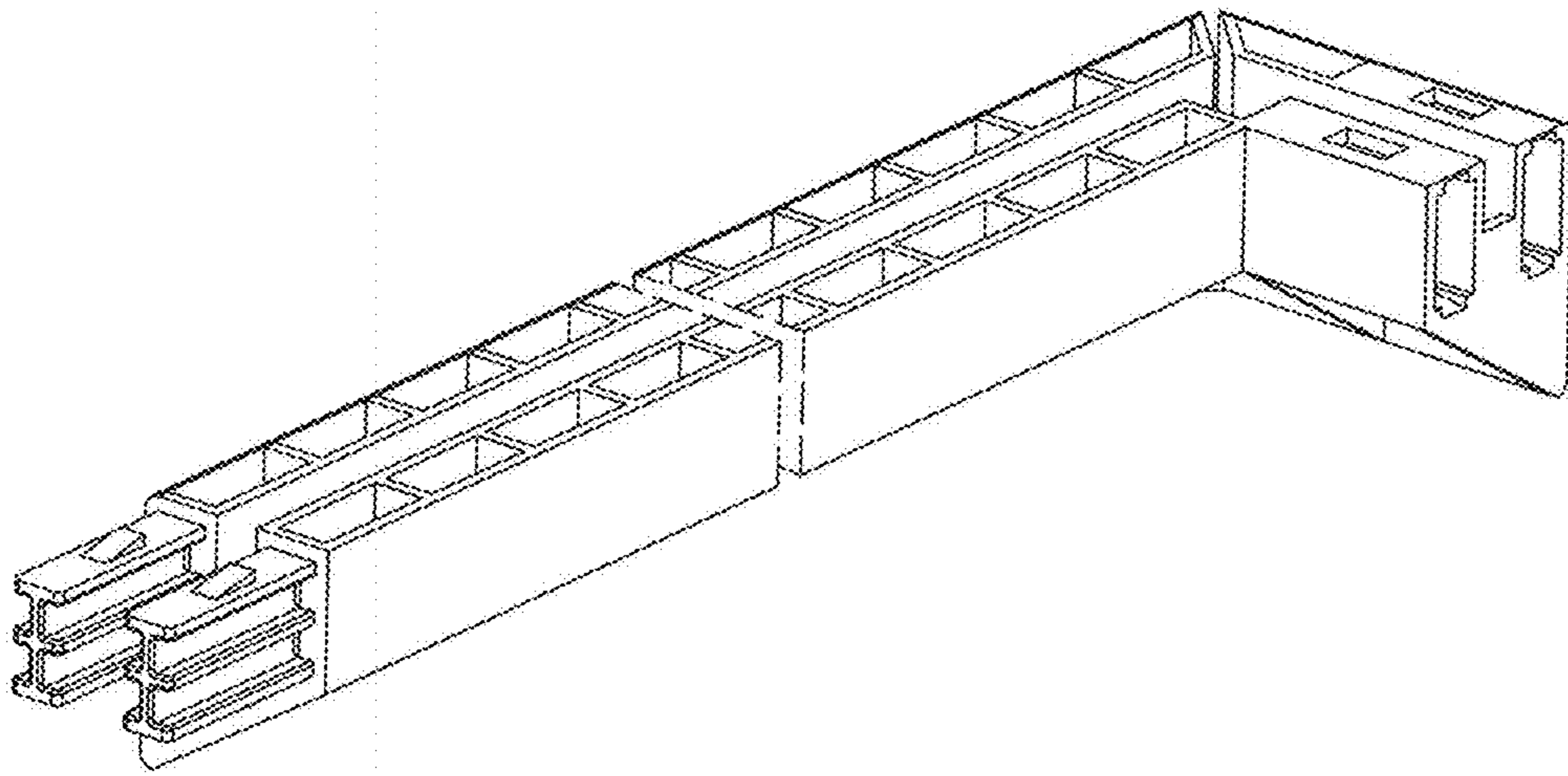


FIG. 1

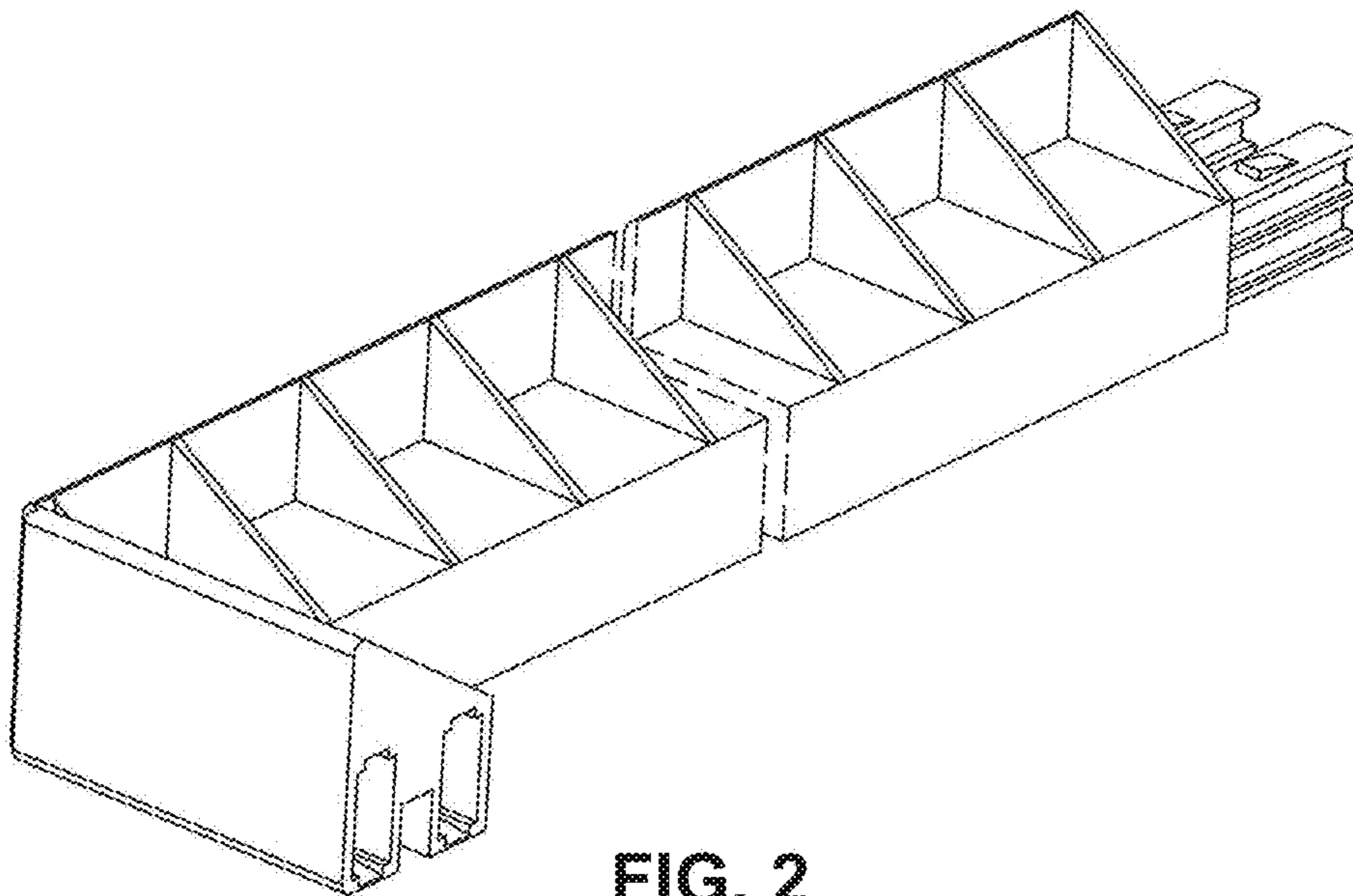


FIG. 2

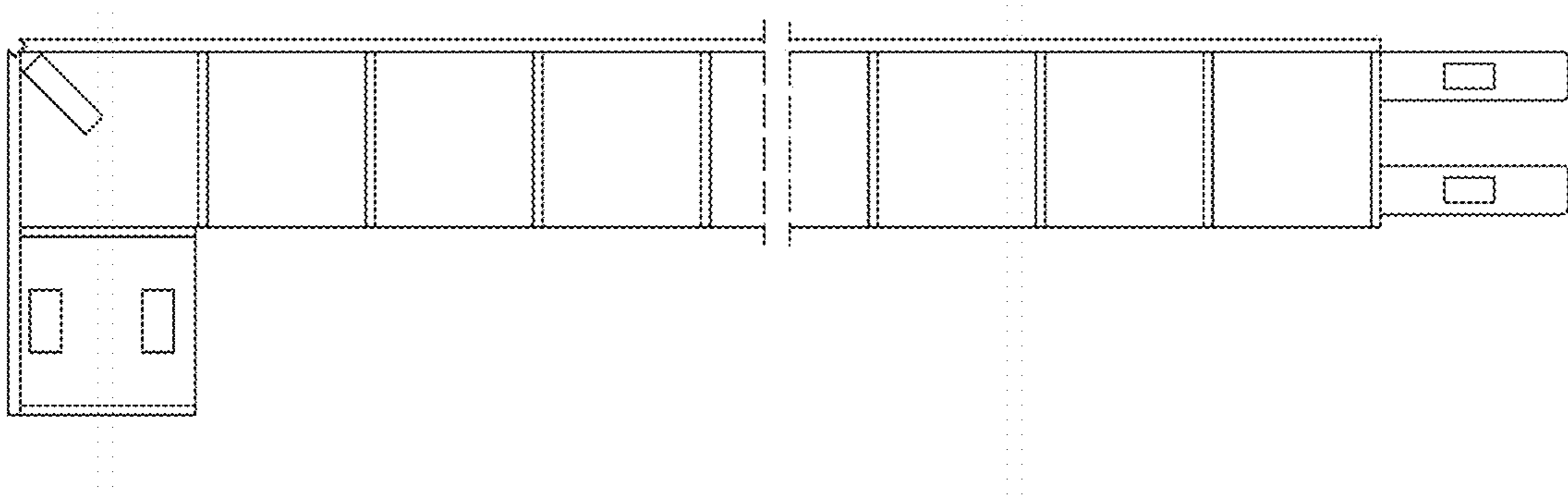


FIG. 3

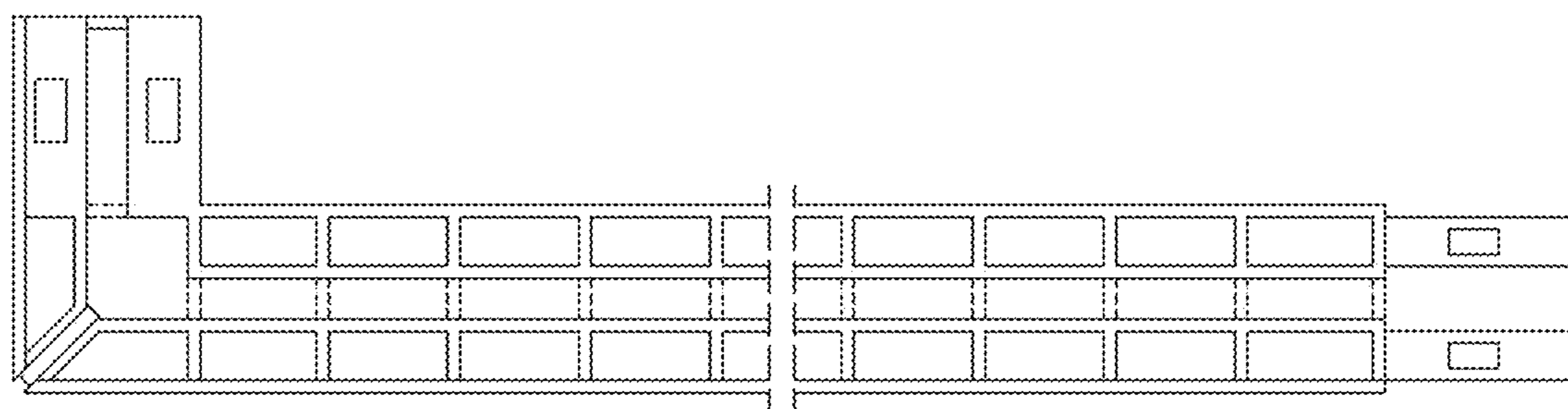


FIG. 4

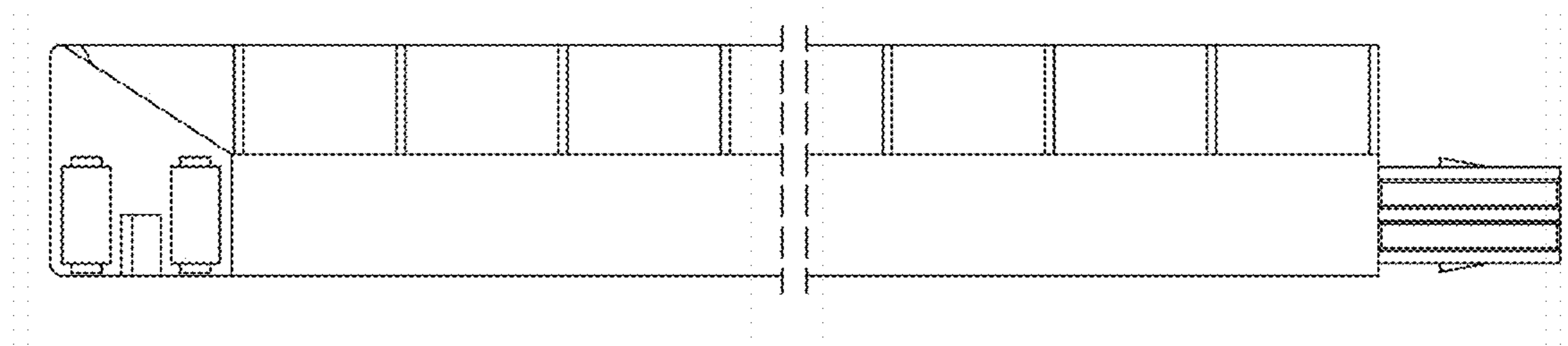


FIG. 5

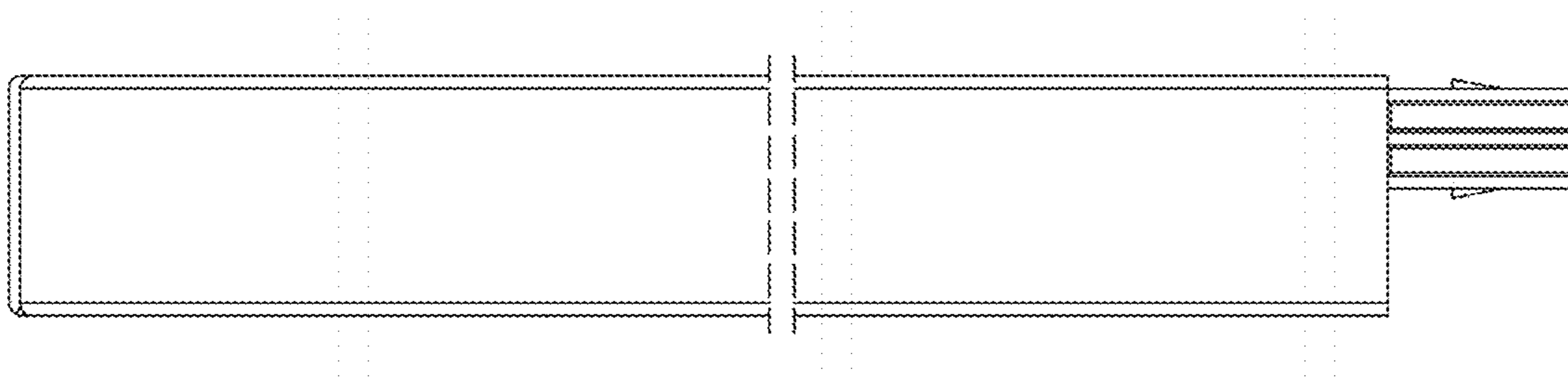


FIG. 6

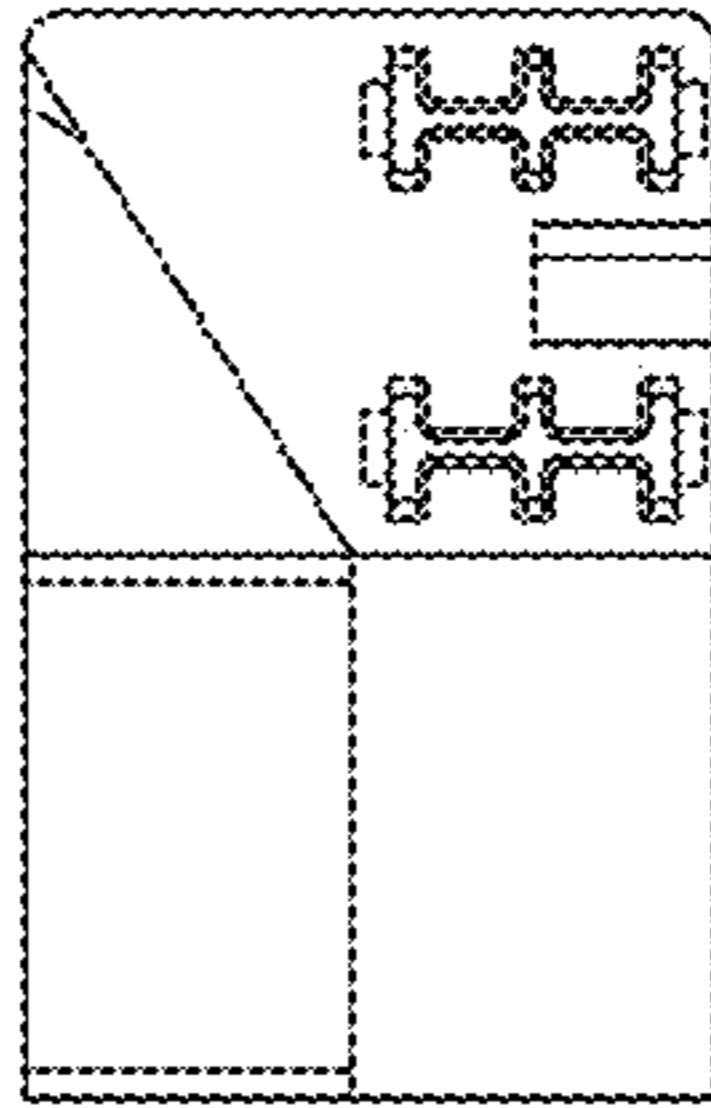


FIG. 7

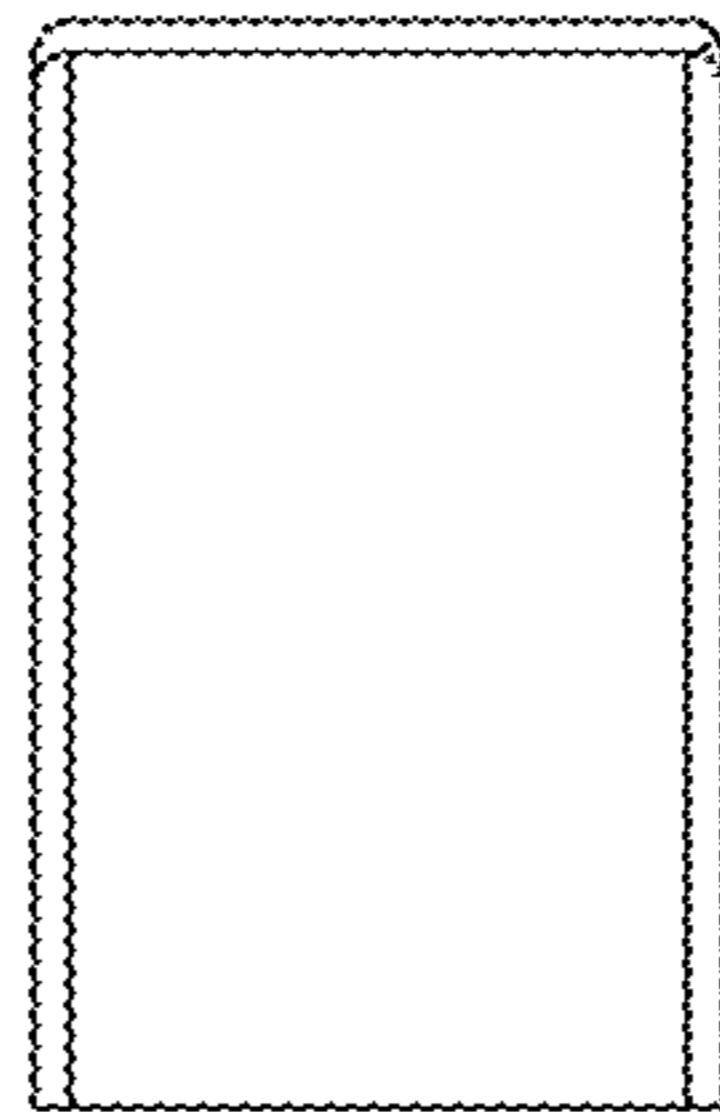


FIG. 8

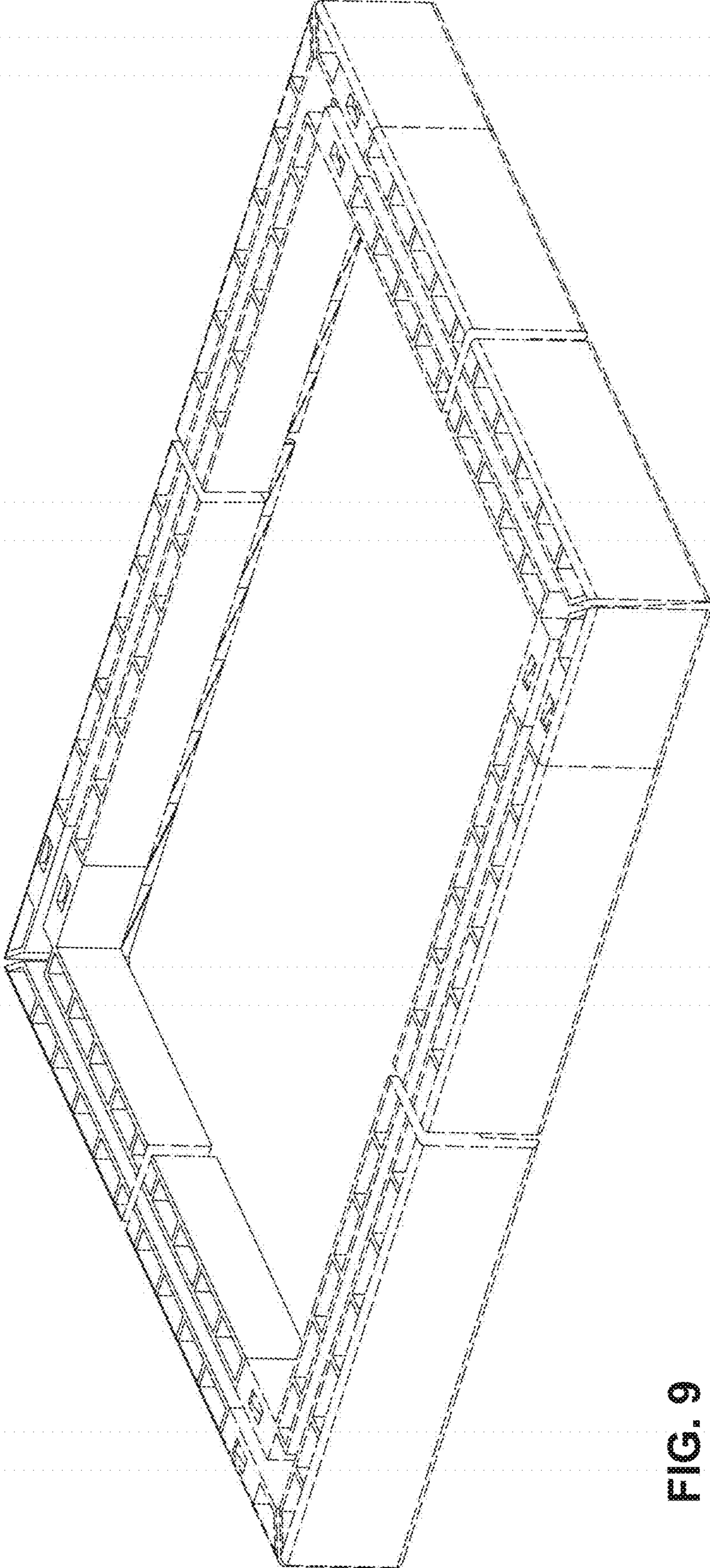


FIG. 9