



US00D903340S

(12) **United States Design Patent** (10) **Patent No.:** **US D903,340 S**
Tsai (45) **Date of Patent:** **** Dec. 1, 2020**

(54) **PICTURE PANEL**
(71) Applicant: **Yu-Seng Tsai**, Hsinchu (TW)
(72) Inventor: **Yu-Seng Tsai**, Hsinchu (TW)
(**) Term: **15 Years**
(21) Appl. No.: **29/672,925**
(22) Filed: **Dec. 10, 2018**
(51) **LOC (12) Cl.** **06-06**
(52) **U.S. Cl.**
USPC **D6/300; D20/40; D19/113**
(58) **Field of Classification Search**
USPC **D6/300-314; D20/10, 40-42; D19/1, D19/113, 114**
CPC **A47G 1/06; A47G 1/0633; A47G 1/0638; A47G 1/14; A47G 1/141; A47G 1/142; A47G 2001/146**
See application file for complete search history.

D759,980 S * 6/2016 Toth D6/300
D767,288 S * 9/2016 McMahon D6/300
D775,475 S * 1/2017 Janica D6/310
D779,834 S * 2/2017 Ryan D6/300
D838,776 S * 1/2019 Katav D19/113
10,624,473 B1 * 4/2020 Tsai A47G 1/06
D887,724 S * 6/2020 Yu D6/308
2014/0353455 A1 * 12/2014 Floyd B29C 66/4722
248/467
2015/0342373 A1 * 12/2015 Toth E04F 13/18
428/58
2018/0311999 A1 * 11/2018 Tsai A47G 1/0633

* cited by examiner

Primary Examiner — Deanna L Pratt

(74) *Attorney, Agent, or Firm* — Chun-Ming Shih; HDLS IPR Services

(57) **CLAIM**

The ornamental design for a picture panel, as shown and described.

DESCRIPTION

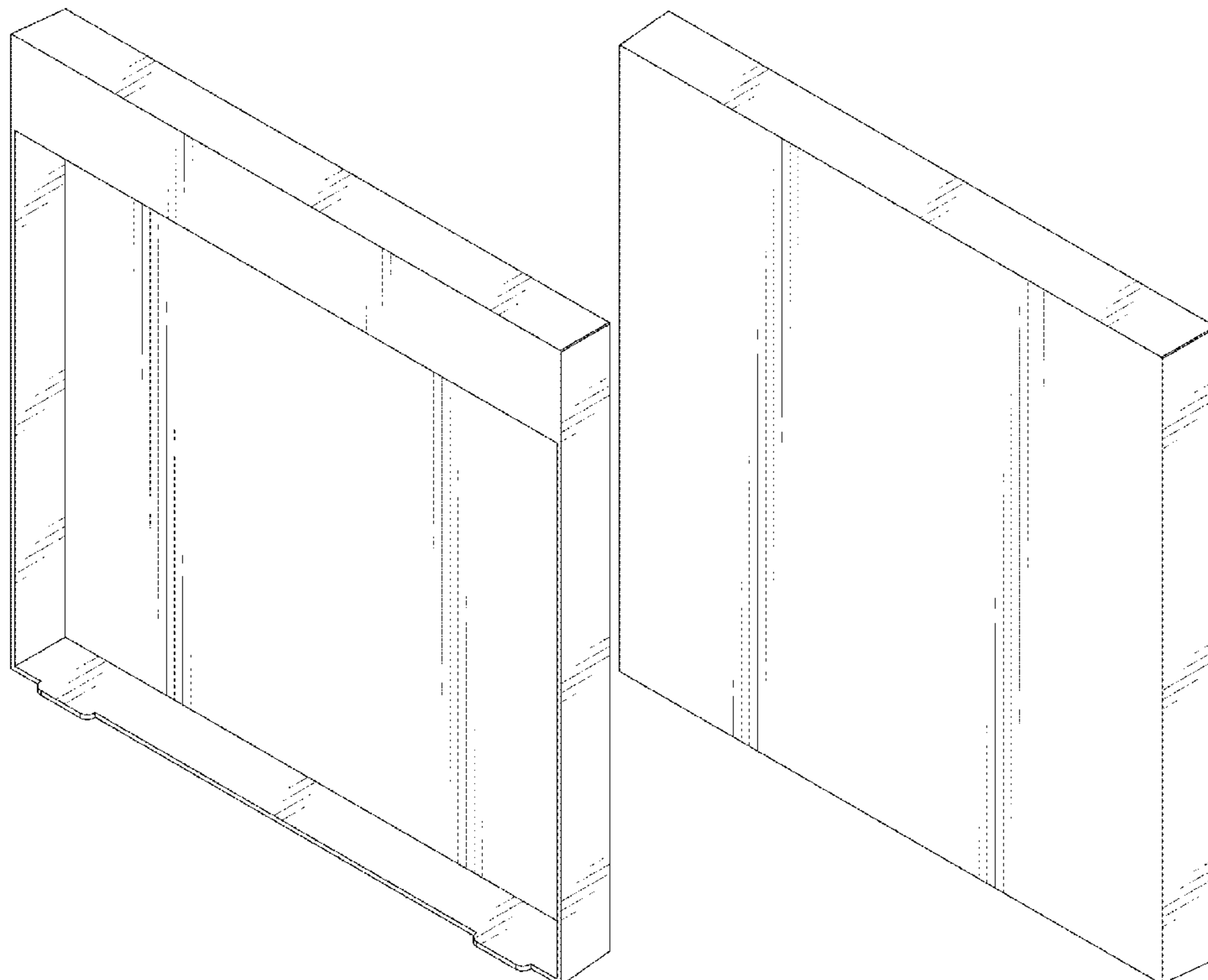
FIG. 1 is a perspective view of a picture panel showing my new design;
FIG. 2 is a front view thereof;
FIG. 3 is a rear view thereof;
FIG. 4 is a left side view thereof;
FIG. 5 is a right side view thereof;
FIG. 6 is a top view thereof;
FIG. 7 is a bottom view thereof; and,
FIG. 8 is a second perspective view showing the picture panel.

1 Claim, 8 Drawing Sheets

(56) **References Cited**

U.S. PATENT DOCUMENTS

D239,980 S * 5/1976 Parson D6/300
D383,491 S * 9/1997 Chang D19/20
D388,962 S * 1/1998 Zaidman D6/300
D410,683 S * 6/1999 Carter D19/113
D540,548 S * 4/2007 Stravitz D6/310
D559,559 S * 1/2008 Butcher D6/309
D590,603 S * 4/2009 Heuman D6/302
D651,413 S * 1/2012 Smith D6/300
D653,040 S * 1/2012 Smith D6/300
D654,703 S * 2/2012 LeMay D6/300



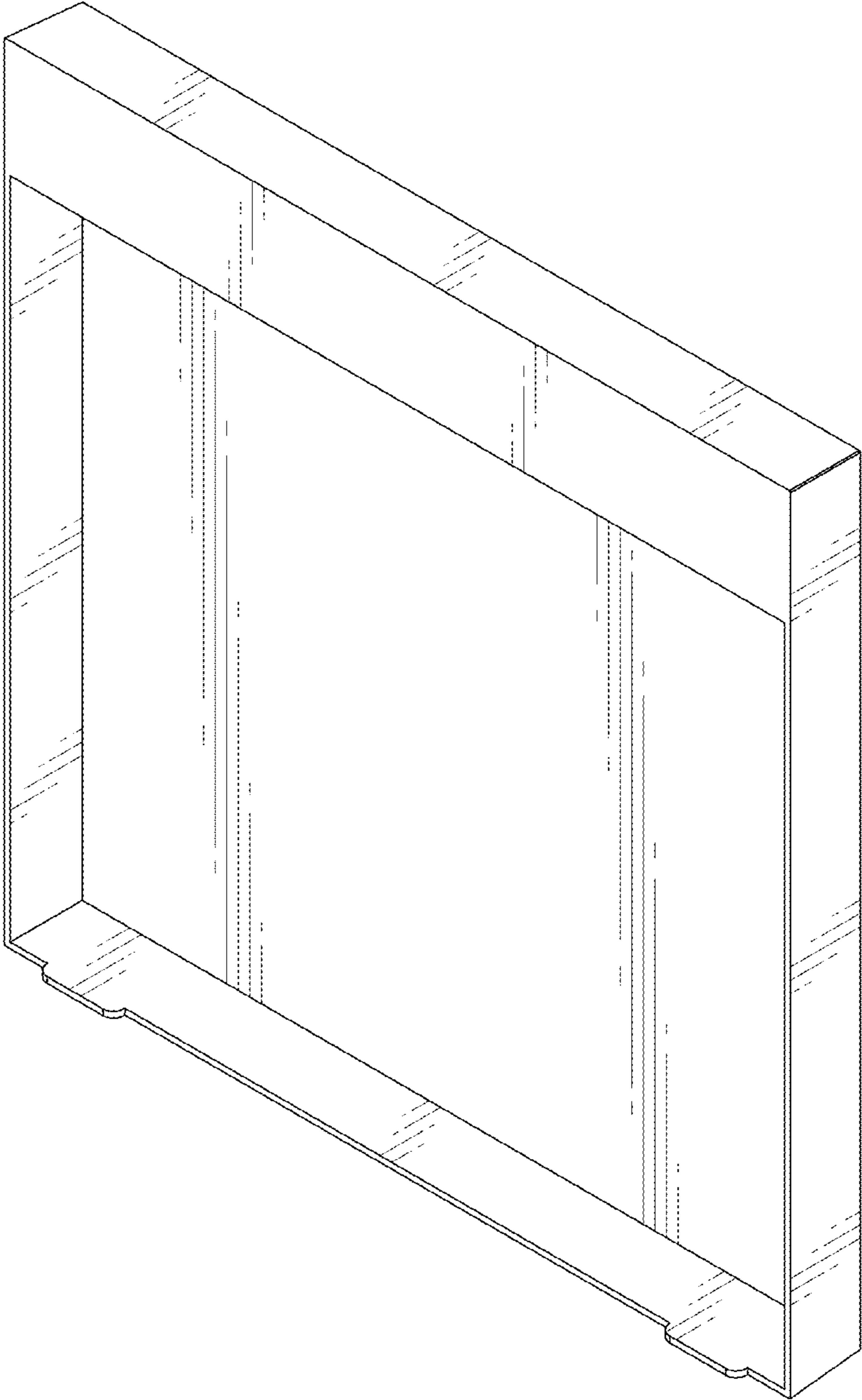


FIG.1

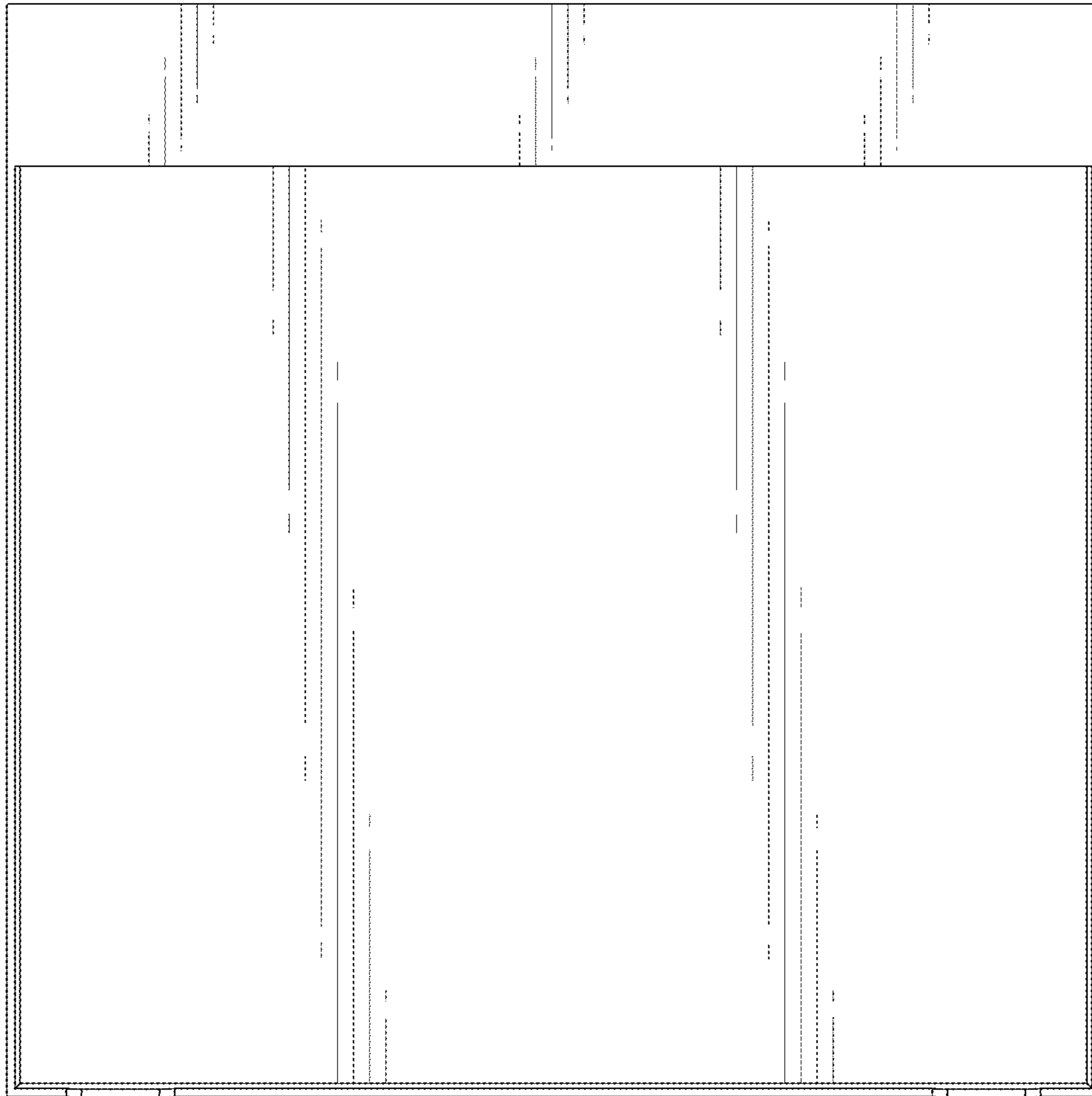


FIG.2

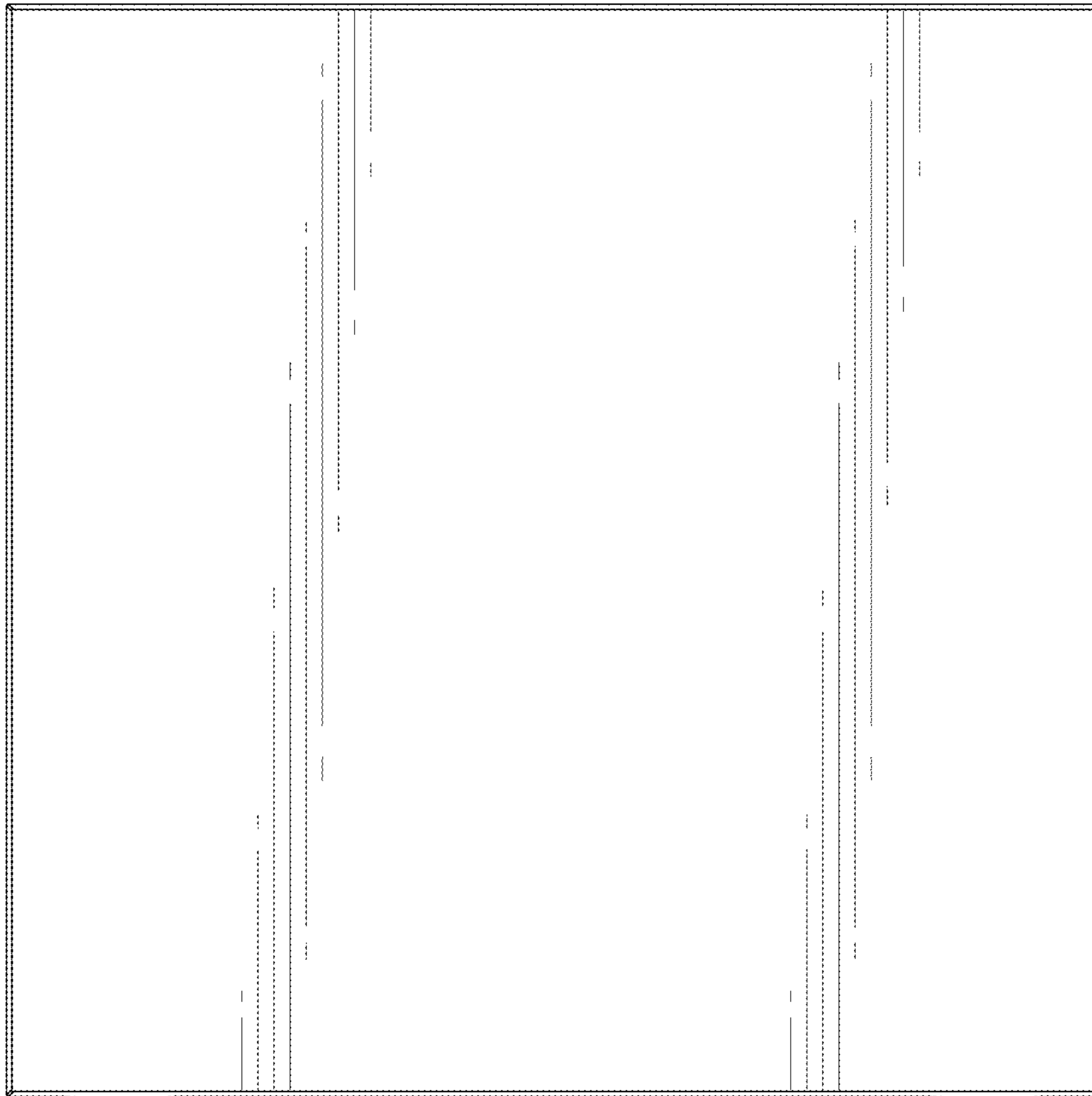


FIG.3

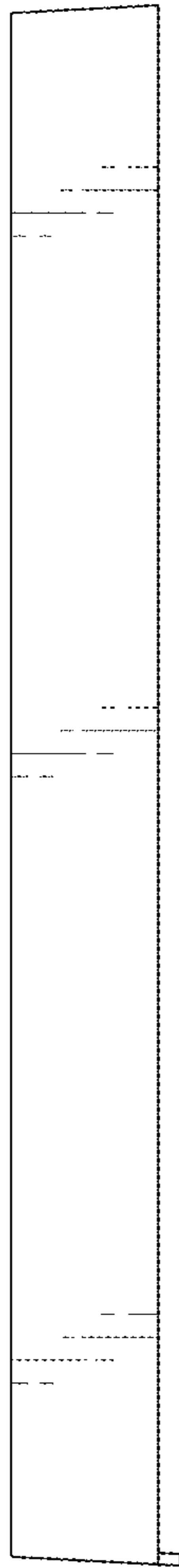


FIG.4



FIG.5

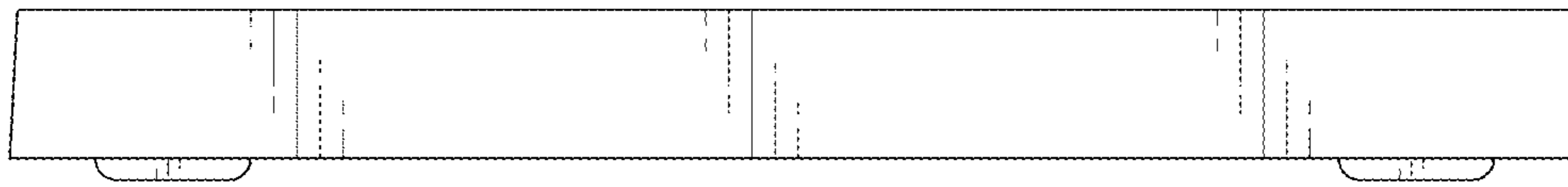


FIG.6

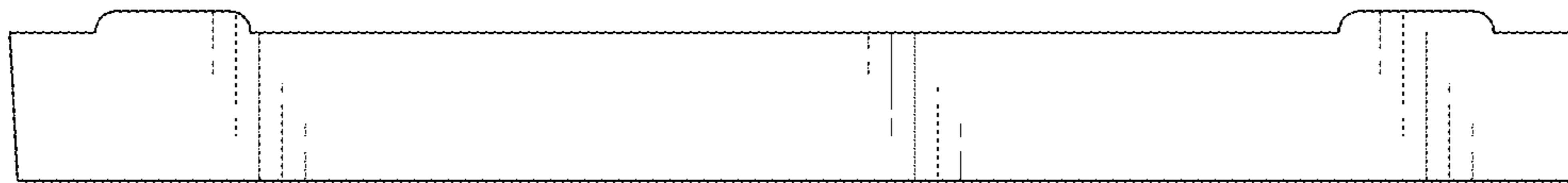


FIG.7

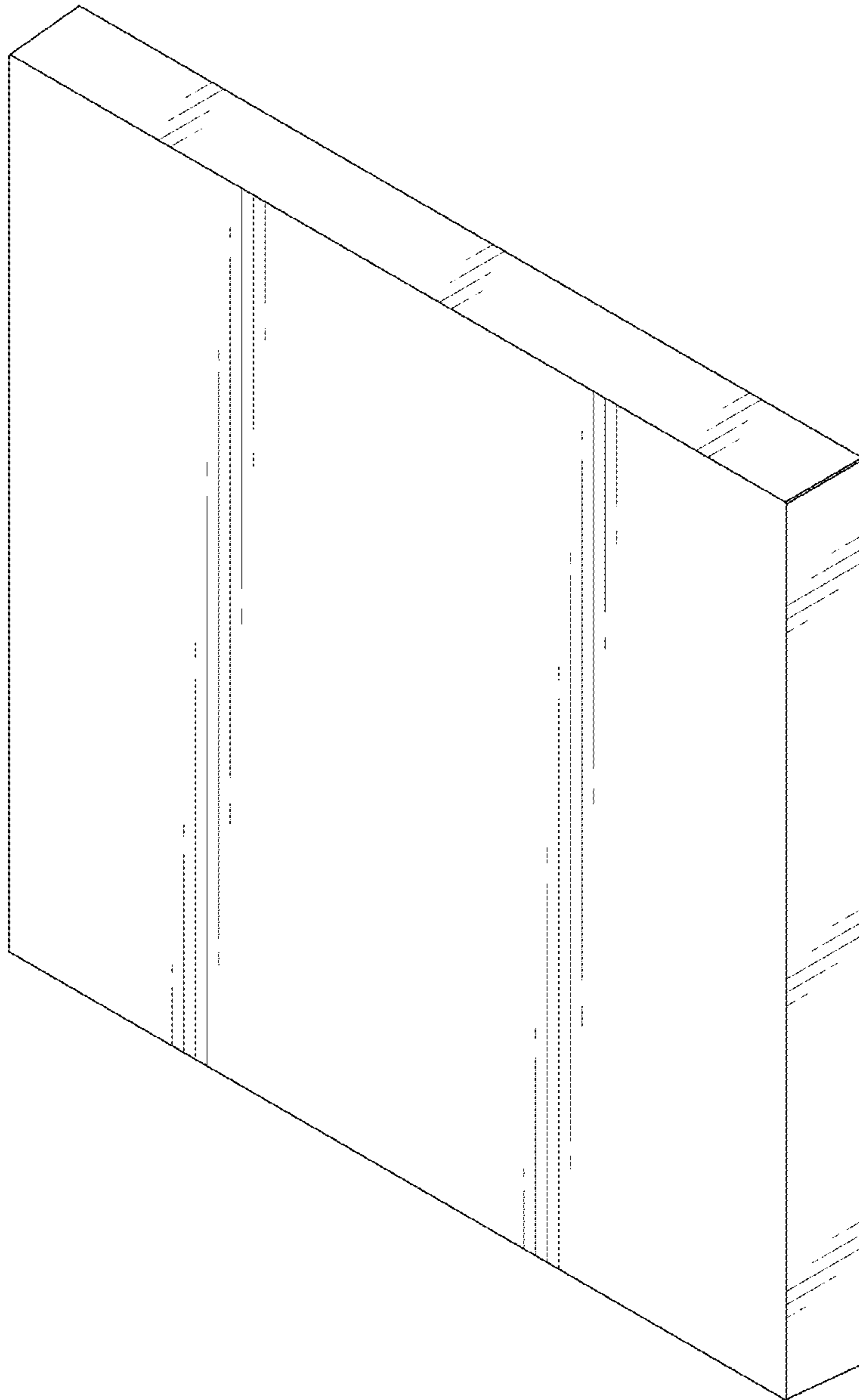


FIG. 8