



US00D903334S

(12) **United States Design Patent**  
**Walsh**

(10) **Patent No.:** **US D903,334 S**

(45) **Date of Patent:** **\*\* Dec. 1, 2020**

(54) **BRUSH**

(71) Applicant: **Neil Walsh**, Spring Hill, FL (US)

(72) Inventor: **Neil Walsh**, Spring Hill, FL (US)

(\*\*) Term: **15 Years**

(21) Appl. No.: **29/689,535**

(22) Filed: **Apr. 30, 2019**

(51) **LOC (12) Cl.** ..... **04-01**

(52) **U.S. Cl.**  
USPC ..... **D4/138**; D4/127; D4/134

(58) **Field of Classification Search**  
USPC ..... D4/116-118, 127, 128, 130, 132, 134,  
D4/138; D28/7; D32/40-42  
CPC .. A46B 3/18; A46B 5/00; A46B 9/021; A46B  
11/00; A46B 11/0003; A46B 2200/1053;  
A45D 40/26; A45D 40/265  
See application file for complete search history.

(56) **References Cited**

**U.S. PATENT DOCUMENTS**

D323,746 S *	2/1992	Mehan	.....	D32/42
5,222,272 A *	6/1993	Park	.....	A45D 20/50 15/143.1
5,528,792 A	6/1996	Nazemi		
D372,130 S *	7/1996	Feldman	.....	D4/127
D387,480 S *	12/1997	Esraelian	.....	D28/63
D394,352 S *	5/1998	Berti	.....	D4/132
5,875,511 A	3/1999	Nejdl		
D410,789 S *	6/1999	Cheng	.....	D4/127
5,960,509 A	10/1999	Wu		
D446,023 S *	8/2001	Sherman	.....	D4/116

D448,114 S *	9/2001	Faust	.....	D28/7
D480,215 S *	10/2003	Mastroianni	.....	D4/118
D524,545 S *	7/2006	Hinnant	.....	A45D 20/50 D4/114
D615,714 S *	5/2010	Matz	.....	D30/158
D838,496 S *	1/2019	Lin	.....	D4/134
D861,355 S *	10/2019	Dovello	.....	D4/138
D861,988 S *	10/2019	Myers	.....	D28/59
2012/0167322 A1	7/2012	Jaworski et al.		
2014/0196227 A1	7/2014	Cooper		

**FOREIGN PATENT DOCUMENTS**

CN 305078425 \* 3/2019

\* cited by examiner

*Primary Examiner* — Keli L Hill

(74) *Attorney, Agent, or Firm* — Boudwin Intellectual Property; Daniel Boudwin

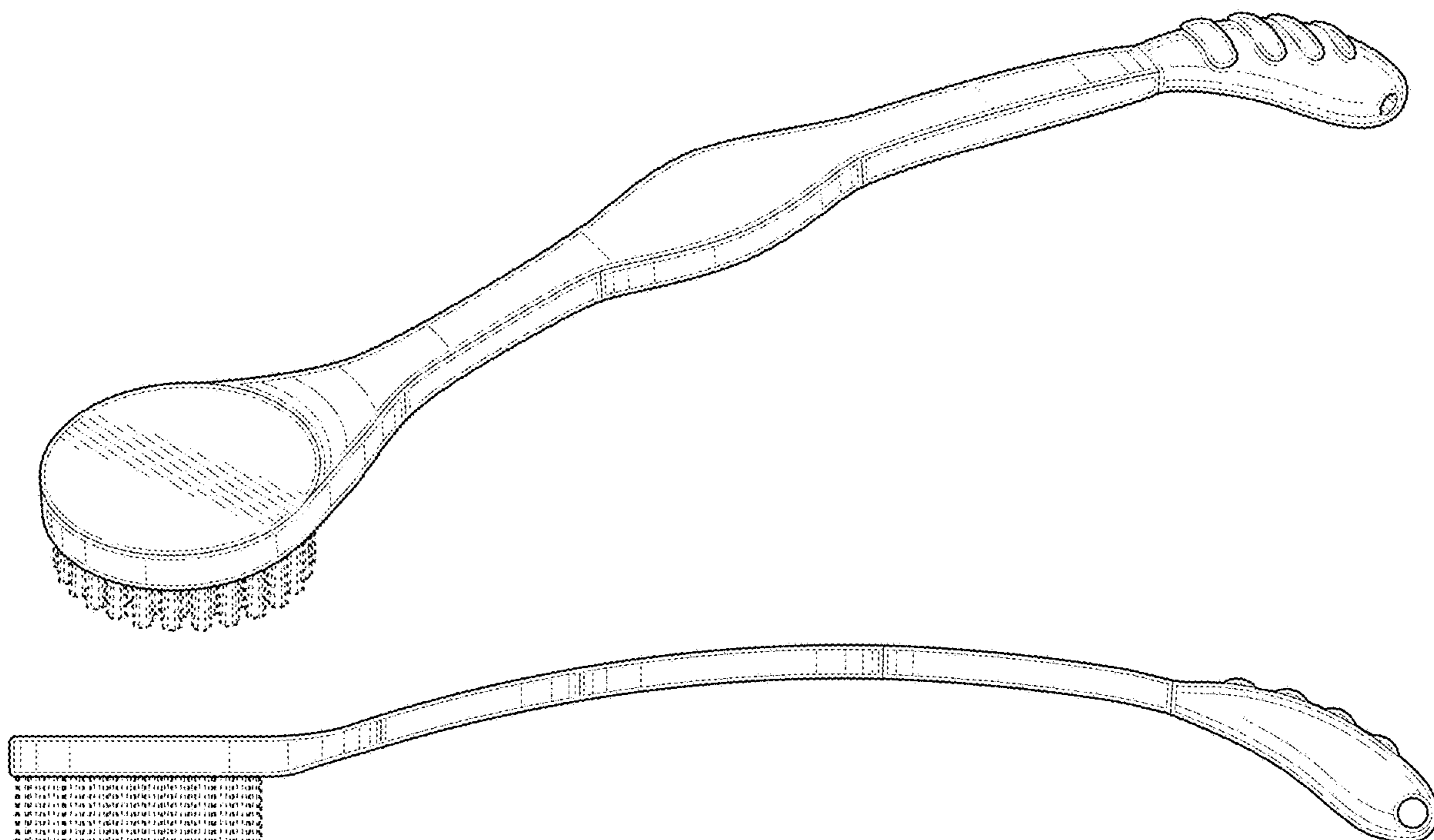
(57) **CLAIM**

The ornamental design for a brush, as shown and described.

**DESCRIPTION**

FIG. 1 depicts a perspective view of the brush.  
FIG. 2 depicts a top plan view of the brush.  
FIG. 3 depicts a bottom plan view of the brush.  
FIG. 4 depicts a left elevation view of the brush.  
FIG. 5 depicts a right elevation view of the brush.  
FIG. 6 depicts a front elevation view of the brush; and,  
FIG. 7 depicts a back elevation view of the brush.  
The shade lines in the Figures show contour and not surface ornamentation.  
The dotted lines in the Figures show portions of the brush which form no part of the claimed design.

**1 Claim, 4 Drawing Sheets**



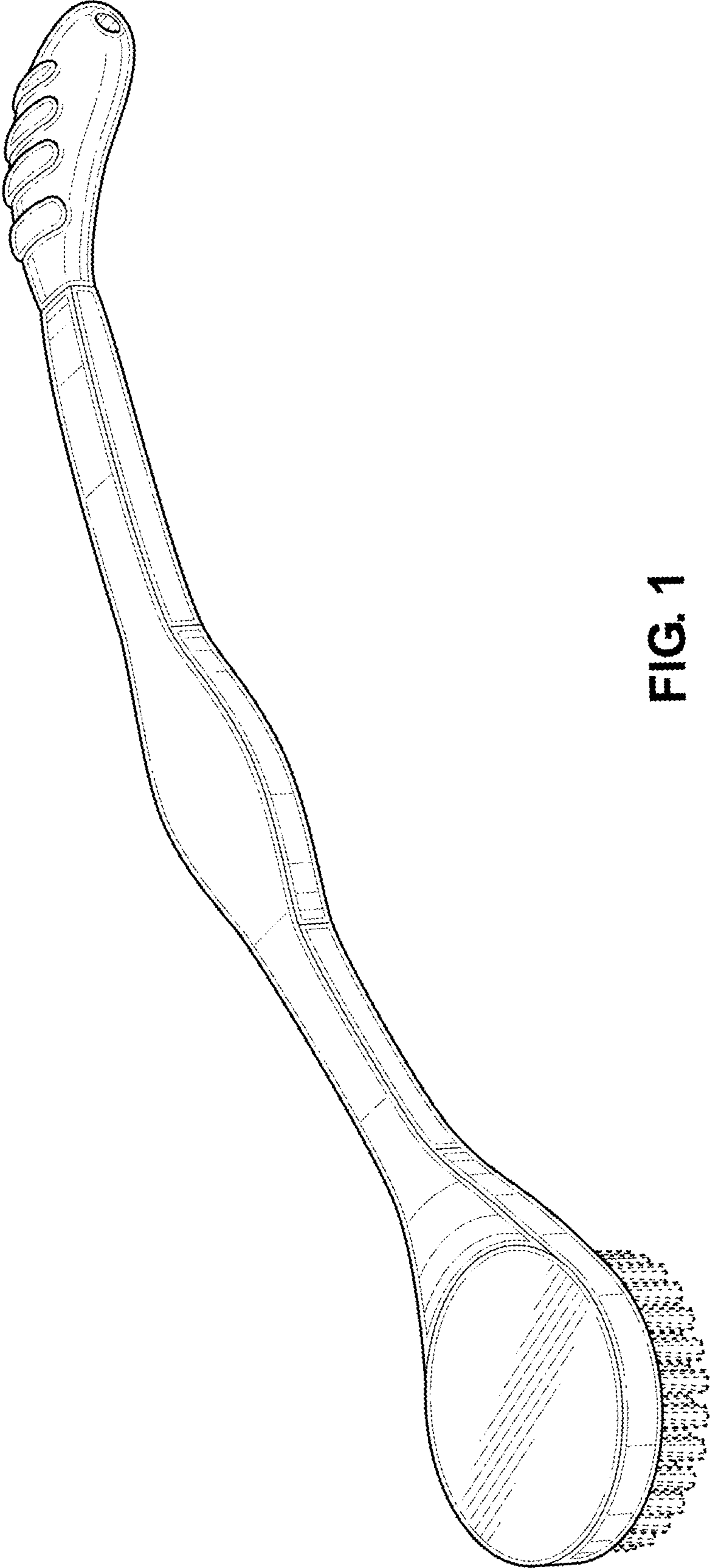


FIG. 1

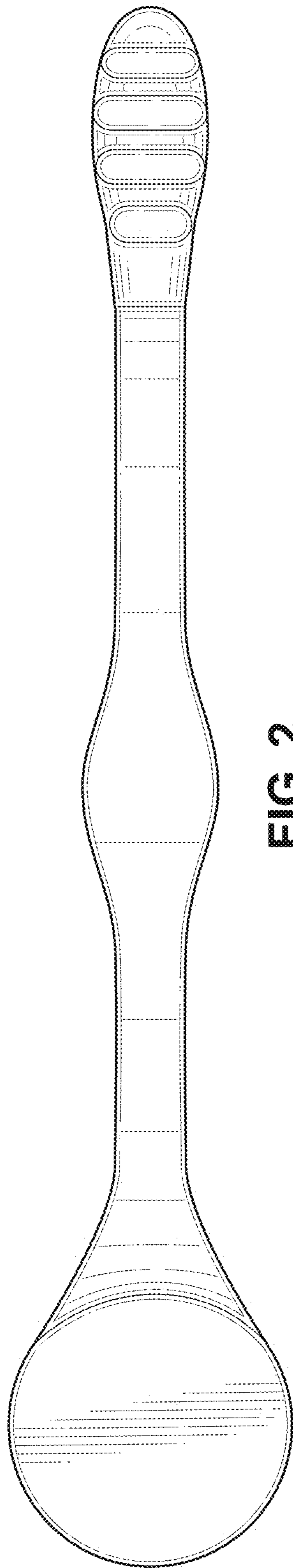


FIG. 2

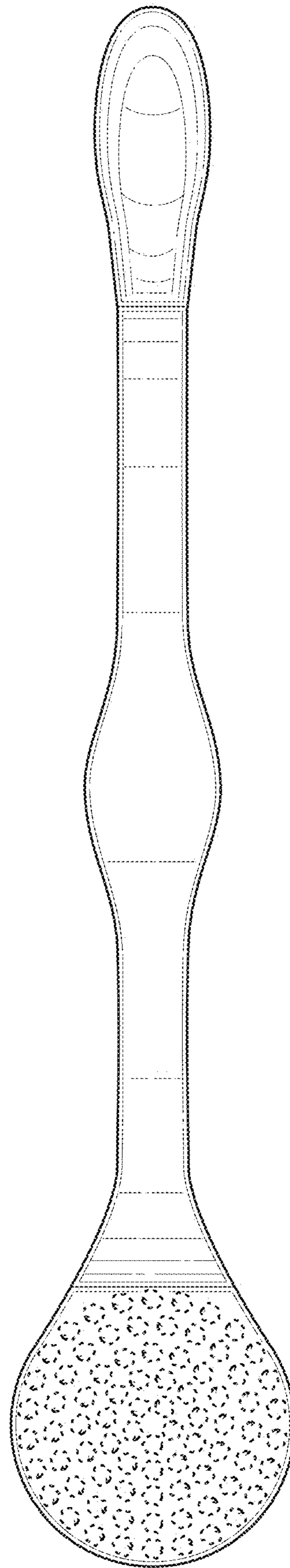
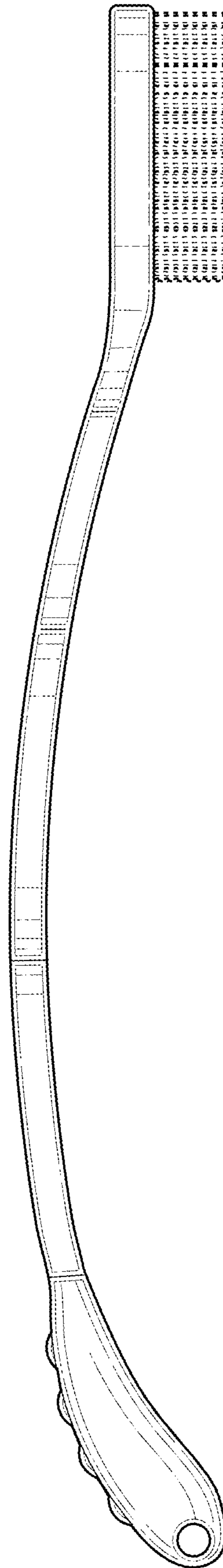
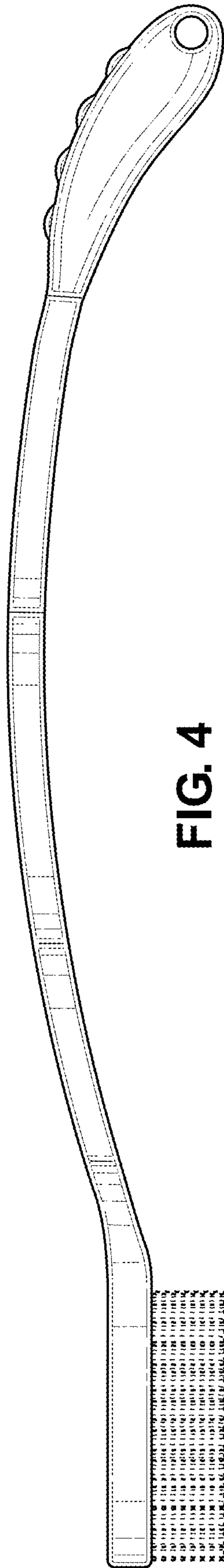


FIG. 3



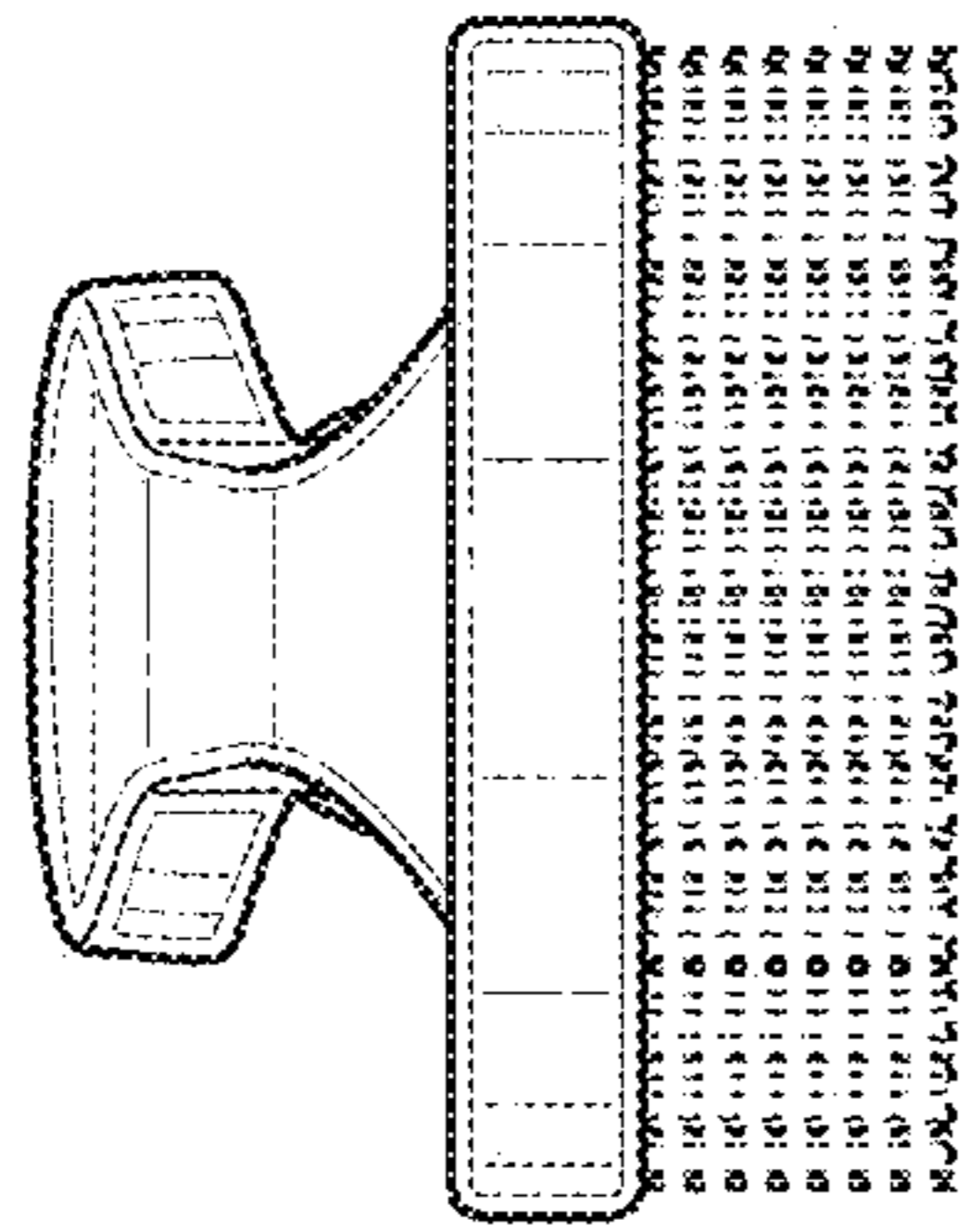


FIG. 6

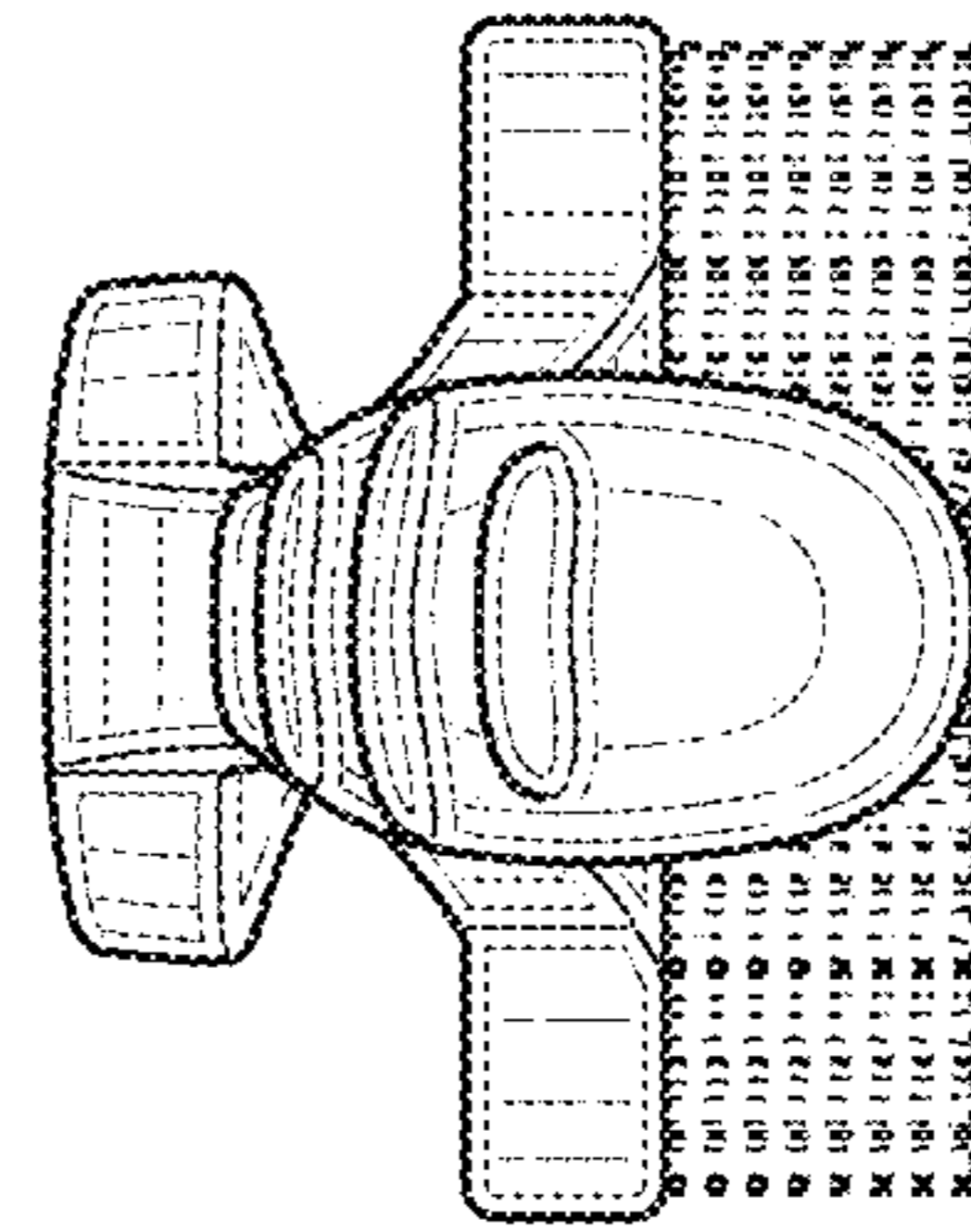


FIG. 7