



US00D903333S

(12) **United States Design Patent**  
**Choi**

(10) **Patent No.:** **US D903,333 S**

(45) **Date of Patent:** **\*\* Dec. 1, 2020**

(54) **HAIR BRUSH**  
(71) Applicant: **Hazel Haejeongmin CHOI**, Irvine, CA (US)  
(72) Inventor: **Jin Ho Choi**, Irvine, CA (US)  
(73) Assignee: **Hazel Haejeongmin CHOI**, Irvine, CA (US)  
(\*\*) Term: **15 Years**

3,886,619 A \* 6/1975 Natman ..... A46B 3/00  
15/187  
5,222,272 A \* 6/1993 Park ..... A45D 20/50  
15/143.1  
6,006,395 A \* 12/1999 Tiramani ..... A46B 5/0025  
15/176.1  
D543,362 S \* 5/2007 Hall ..... D4/102  
D658,386 S \* 5/2012 Isaac ..... D4/122  
9,402,460 B2 \* 8/2016 Hickey ..... A46B 9/023  
D781,596 S \* 3/2017 Chang ..... D4/134  
D855,996 S \* 8/2019 Park ..... D4/100  
10,398,218 B2 \* 9/2019 Exley ..... A46D 1/0246  
10,531,727 B2 \* 1/2020 Sze ..... A46B 9/026

(21) Appl. No.: **29/703,195**

**FOREIGN PATENT DOCUMENTS**

(22) Filed: **Aug. 26, 2019**

CN 304501190 \* 2/2018  
CN 304521877 \* 2/2018  
CN 305293902 \* 8/2019  
CN 305353063 \* 9/2019

(30) **Foreign Application Priority Data**

\* cited by examiner

Jul. 11, 2019 (KR) ..... 30-2019-0033317

(51) **LOC (12) Cl.** ..... **04-02**

*Primary Examiner* — Karen E Eldridge Powers

(52) **U.S. Cl.**

(74) *Attorney, Agent, or Firm* — Sughrue Mion, PLLC

USPC ..... **D4/134**

(58) **Field of Classification Search**

(57) **CLAIM**

USPC ..... D4/100, 116, 117, 118, 121, 122, 123,  
D4/127, 128, 129, 130, 132, 133, 134,  
D4/135, 136, 138, 199; D28/7, 13, 24,  
D28/25, 26, 15; 15/207.2; 132/120, 210,  
132/271, 222

We claim the ornamental design for a hair brush, as shown and described.

CPC .. A46B 9/06; A46B 9/023; A46B 5/00; A46B  
5/02; A46B 15/003; A46B 9/028; A46B  
2200/104; A45D 20/48; A45D 20/50

**DESCRIPTION**

See application file for complete search history.

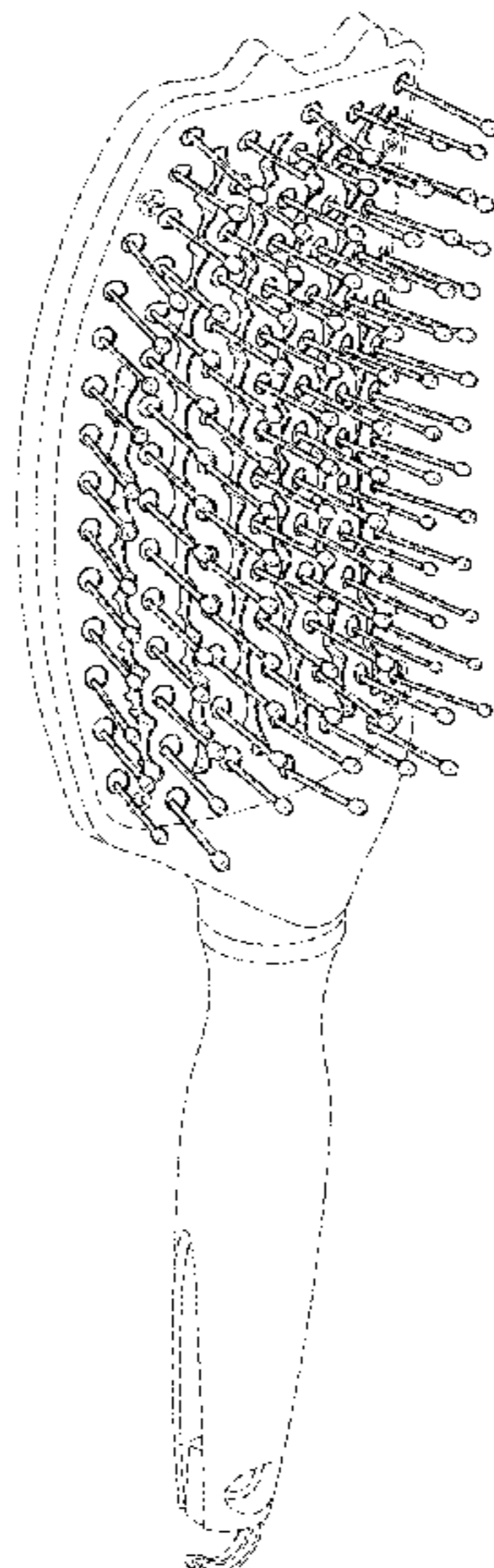
FIG. 1 is a perspective view of a hair brush according to the present design;  
FIG. 2 is a left side elevation view thereof;  
FIG. 3 is a right side elevation view thereof;  
FIG. 4 is a front elevation view thereof;  
FIG. 5 is a rear elevation view thereof;  
FIG. 6 is a top plan view thereof; and,  
FIG. 7 is a bottom plan view thereof.  
The broken lines shown in the drawings illustrate features of the article and form no part of the claim.

(56) **References Cited**

**1 Claim, 6 Drawing Sheets**

**U.S. PATENT DOCUMENTS**

696,412 A \* 4/1902 Cowley ..... A45D 2/002  
132/150  
1,375,755 A \* 4/1921 Hastings ..... A46B 5/00  
300/21  
1,396,973 A \* 11/1921 Hastings ..... A46B 7/00  
15/202



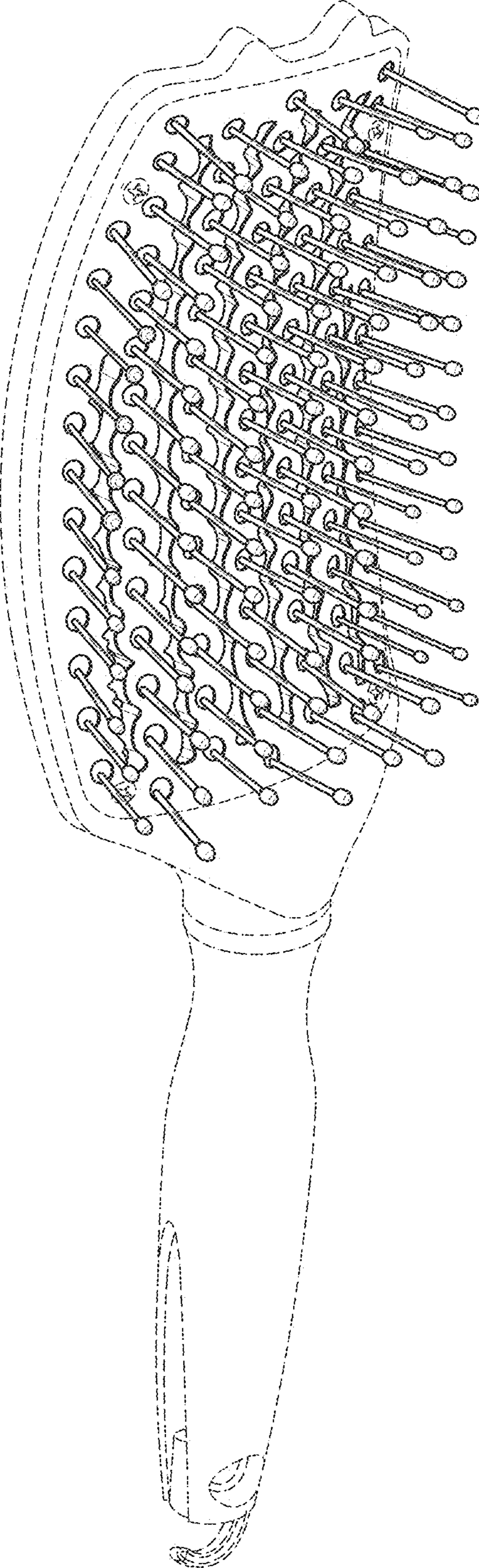


FIG. 1

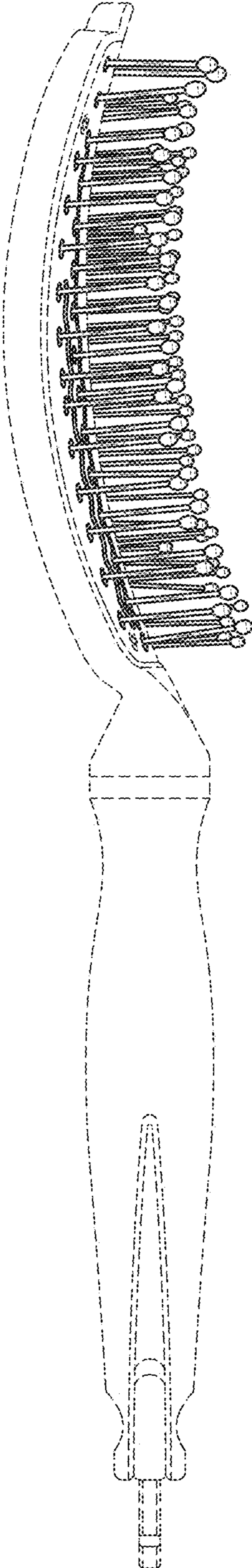


FIG. 2

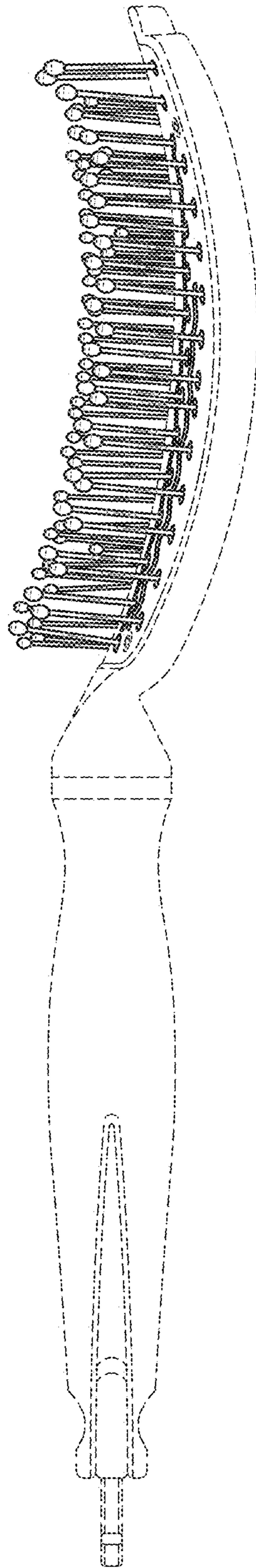


FIG. 3

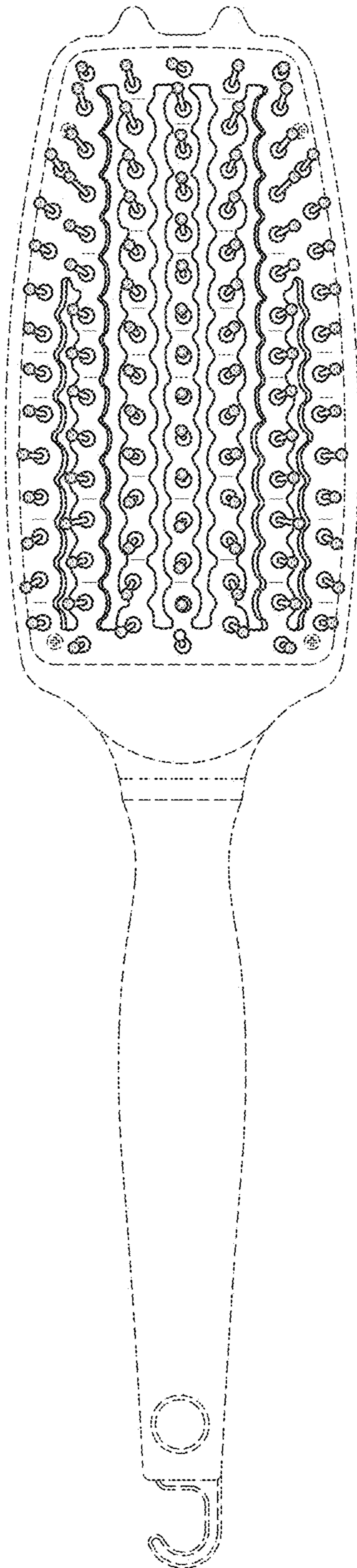


FIG. 4

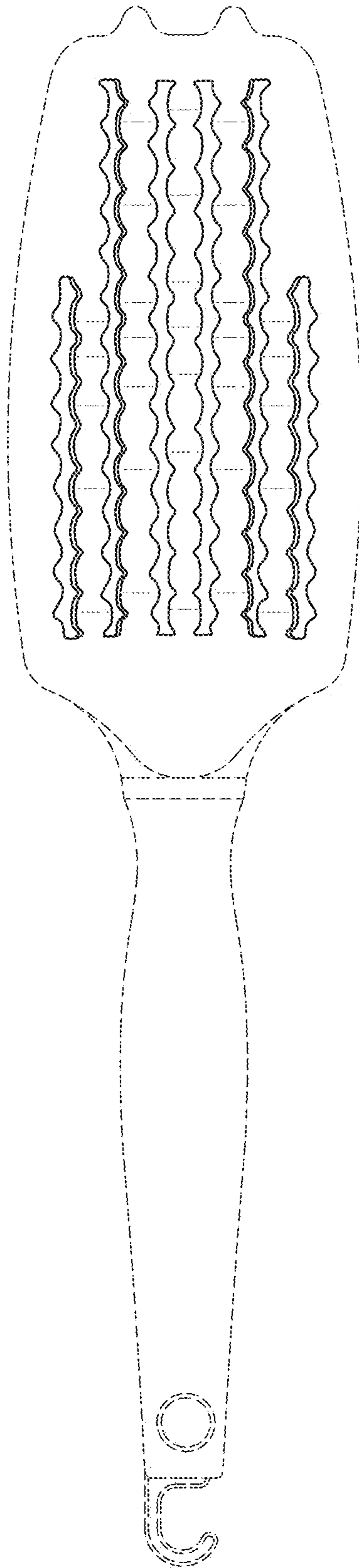


FIG. 5

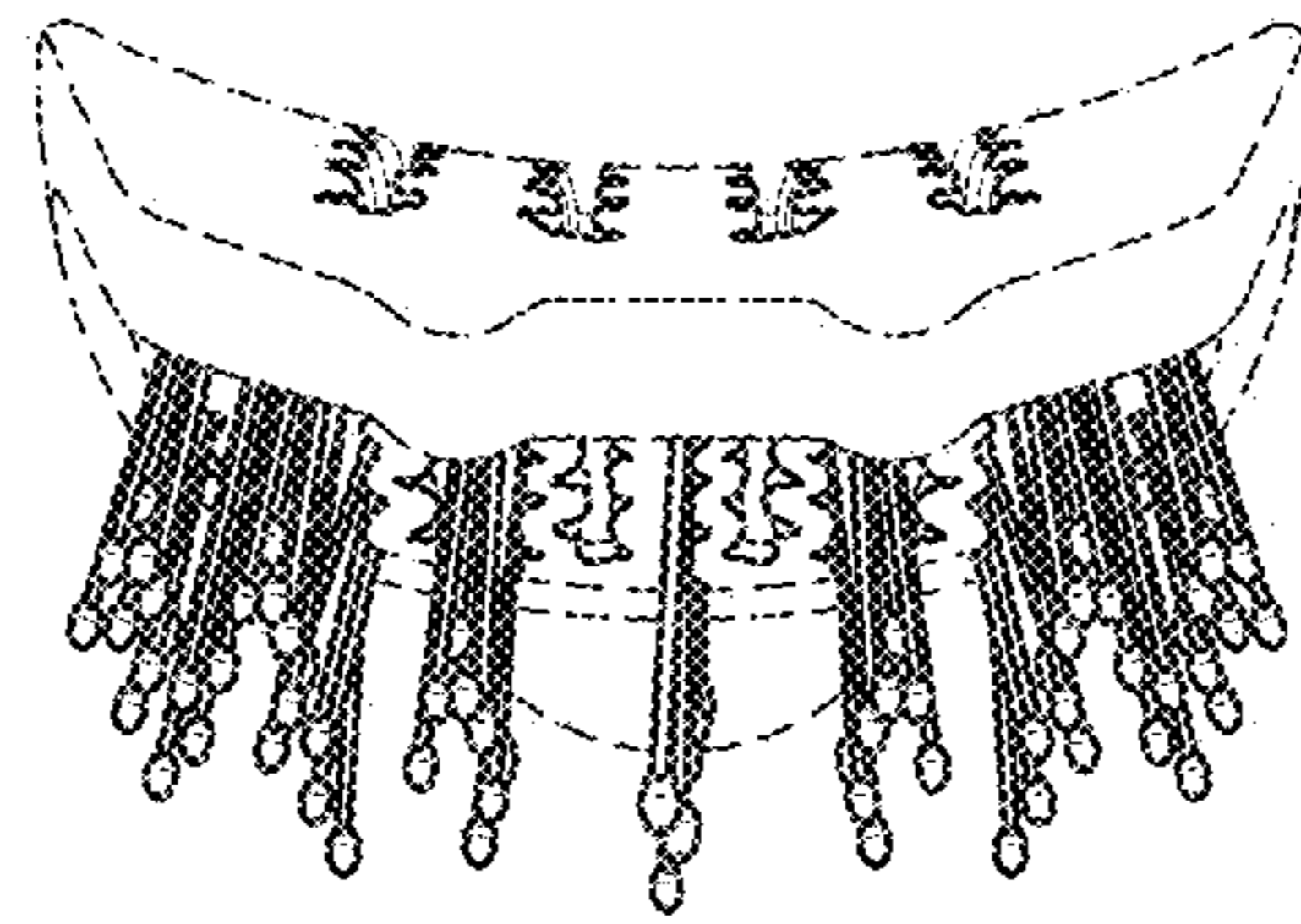


FIG. 6

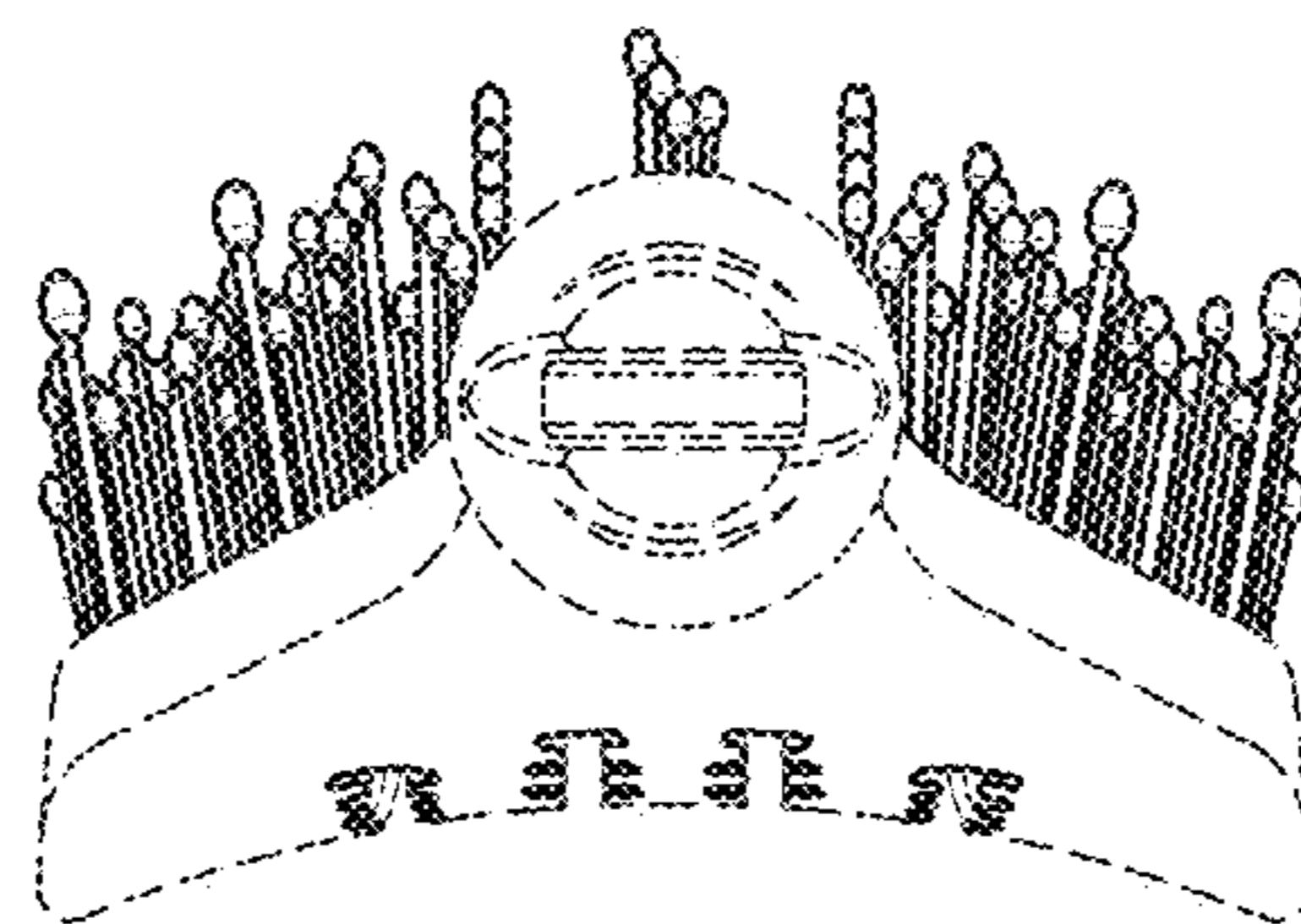


FIG. 7