



US00D903332S

(12) **United States Design Patent**  
**Watson**

(10) **Patent No.:** **US D903,332 S**

(45) **Date of Patent:** **\*\* Dec. 1, 2020**

(54) **HAIR BRUSH**

(71) Applicant: **Crown Quality Products LLC**,  
Detroit, MI (US)

(72) Inventor: **Robert A Watson**, Southfield, MI (US)

(73) Assignee: **Crown Quality Products LLC**,  
Detroit, MI (US)

(\*\*) Term: **15 Years**

(21) Appl. No.: **29/688,087**

(22) Filed: **Apr. 18, 2019**

(51) **LOC (12) Cl.** ..... **04-02**

(52) **U.S. Cl.**  
USPC ..... **D4/134**

(58) **Field of Classification Search**  
USPC ..... D4/100, 116, 121, 130, 132, 134, 136,  
D4/138, 199; D28/13, 24, 28, 31, 35, 25,  
D28/15  
CPC ..... A46B 9/02; A46B 9/023; A46B 9/028;  
A46B 15/0059; A46B 2200/104  
See application file for complete search history.

(56) **References Cited**

**U.S. PATENT DOCUMENTS**

D28,683 S \* 5/1898 LaPierre ..... D4/134  
D30,044 S \* 1/1899 LaPierre ..... D4/134  
D231,506 S \* 4/1974 Karabelas ..... D4/134  
D763,580 S \* 8/2016 Brown ..... D4/136

D864,580 S \* 10/2019 Delzell ..... D4/116  
D864,586 S \* 10/2019 Robbins ..... D4/134  
2017/0127815 A1\* 5/2017 Renfro ..... A46B 9/06

**OTHER PUBLICATIONS**

About Crown Quality Products [on-line]. [Original publication date unknown.] [Retrieved from the Internet Jun. 17, 2020.] URL: <https://crownqualityproducts.com/about> (Year: 2020).\*

\* cited by examiner

*Primary Examiner* — Karen E Eldridge Powers

(74) *Attorney, Agent, or Firm* — Miller Canfield

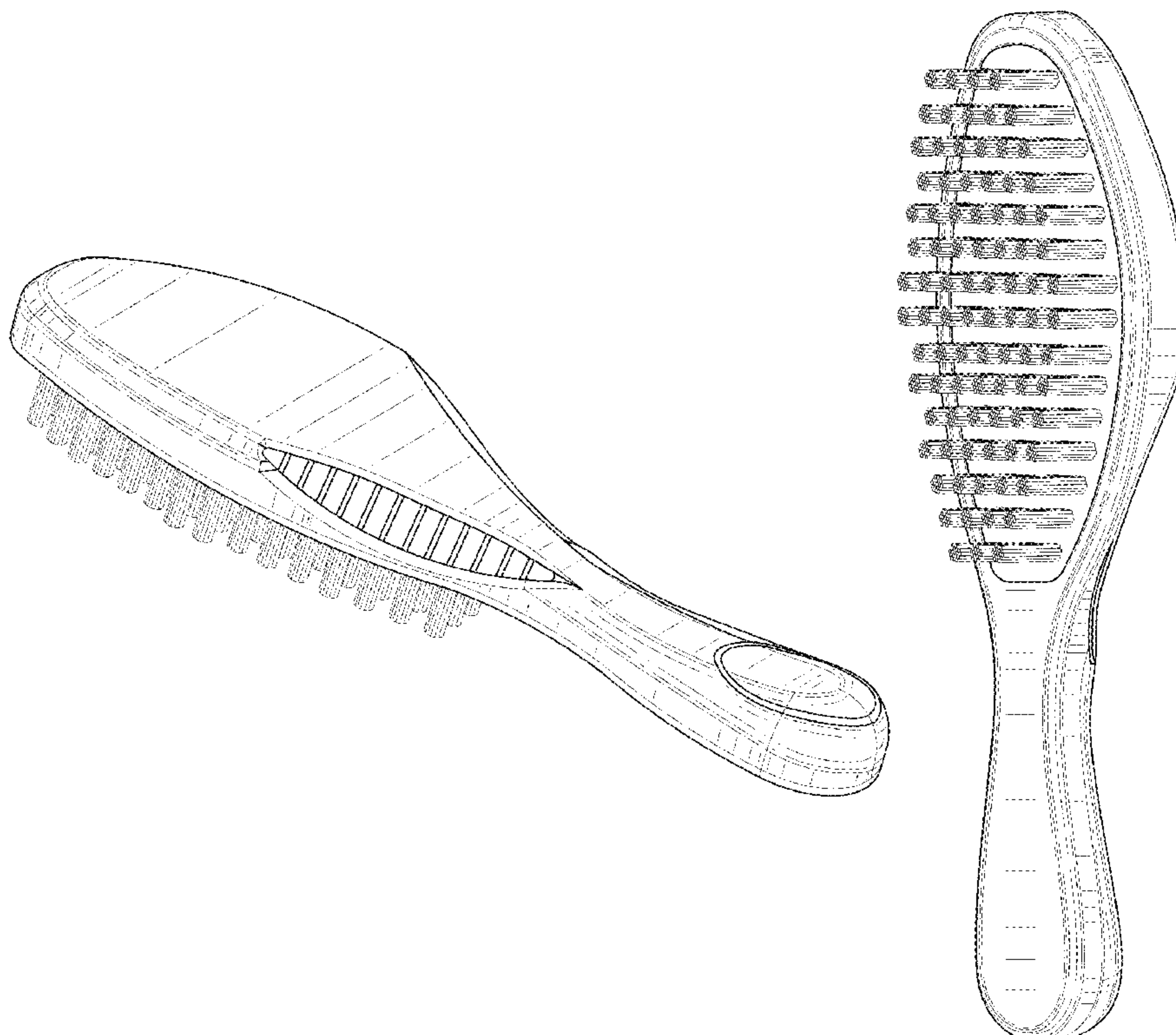
(57) **CLAIM**

The ornamental design for a hair brush, as shown and described.

**DESCRIPTION**

FIG. 1 is a perspective view of an embodiment of the hair brush showing my new design;  
FIG. 2 is a rear elevation view thereof;  
FIG. 3 is a side elevation view thereof;  
FIG. 4 is a top plan view thereof;  
FIG. 5 is a bottom plan view thereof;  
FIG. 6 is a front elevation view thereof;  
FIG. 7 is another perspective side view thereof; and,  
FIG. 8 is an exploded view thereof, whereby the pieces are shown separated from the brush body for clarity of illustration.

**1 Claim, 8 Drawing Sheets**



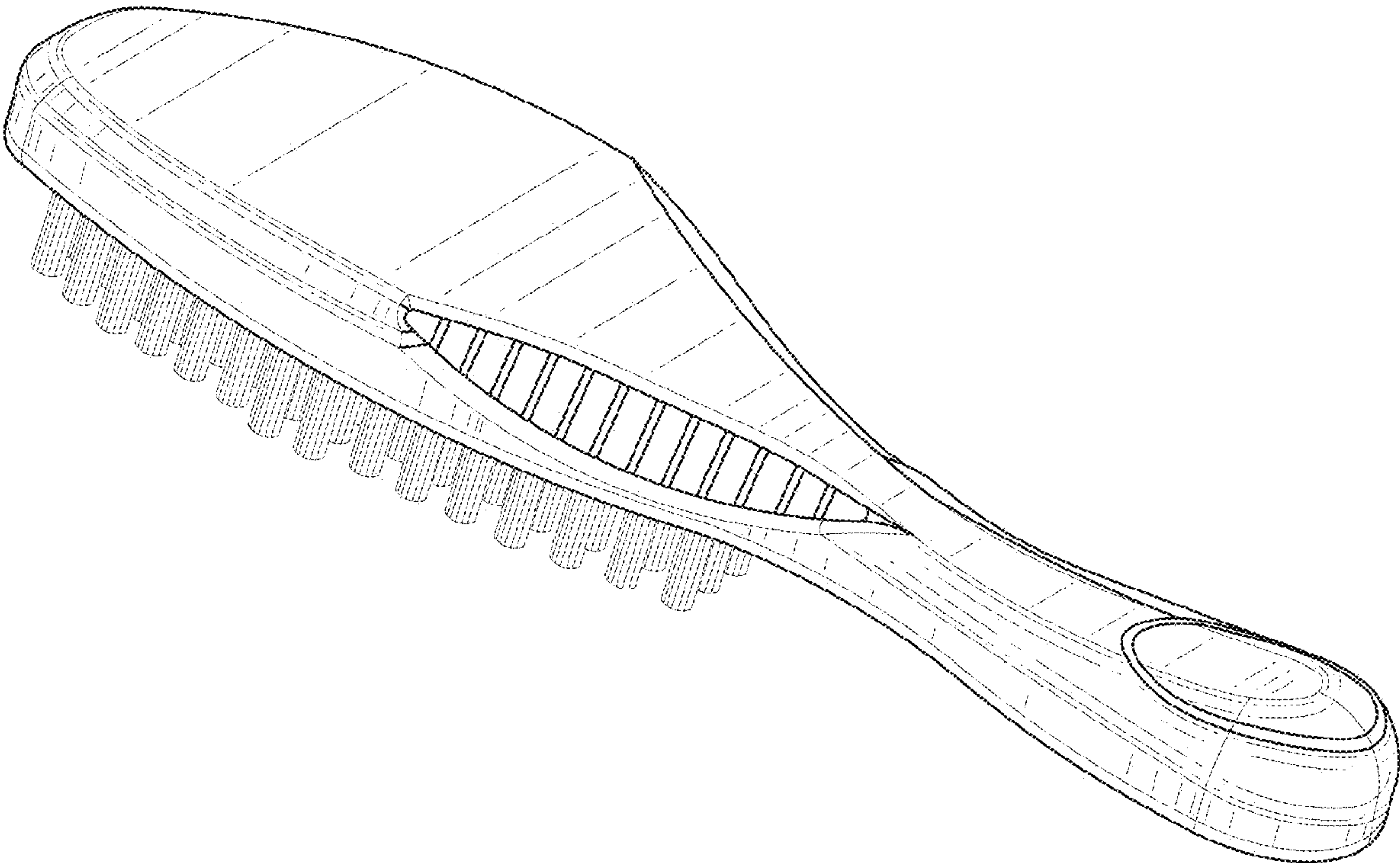


FIG. 1

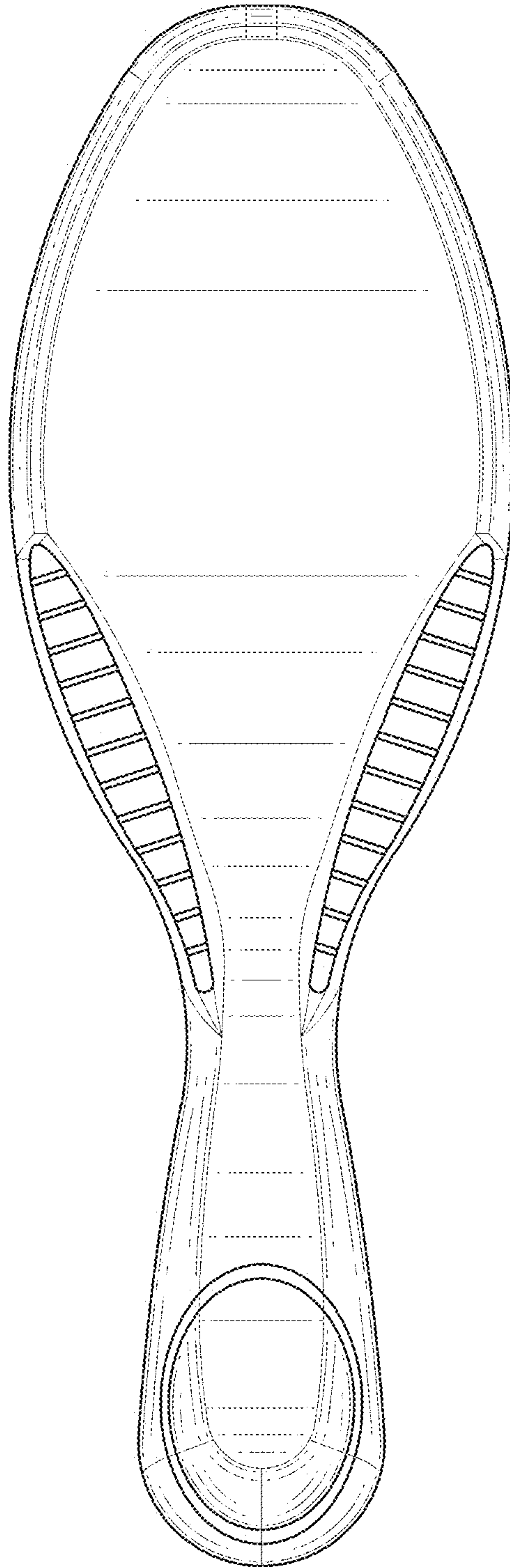


FIG. 2

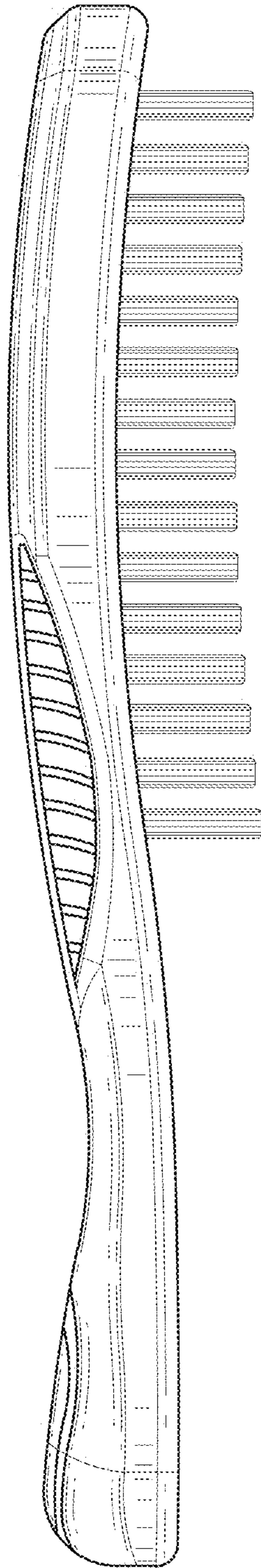


FIG. 3

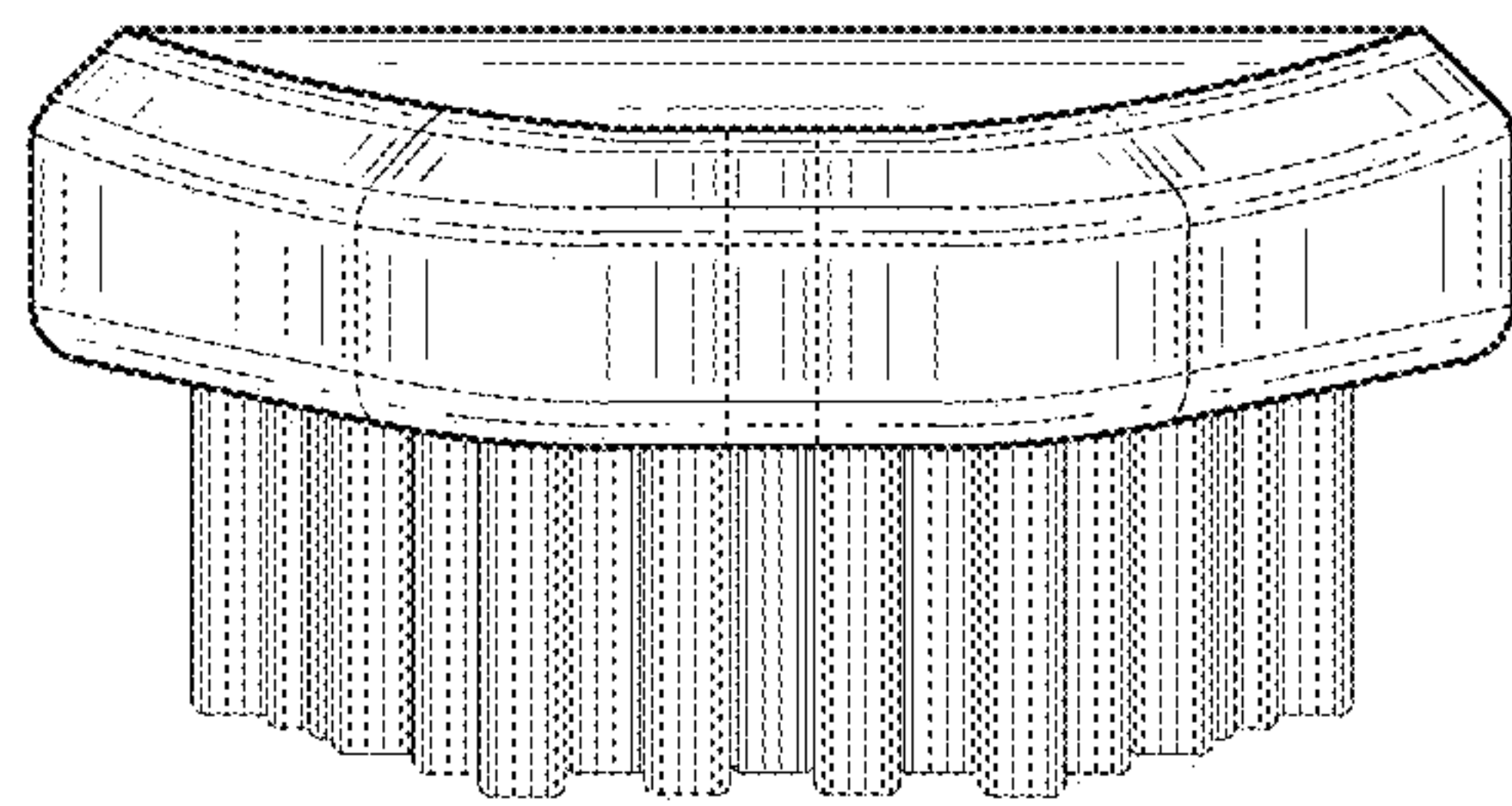


FIG. 4



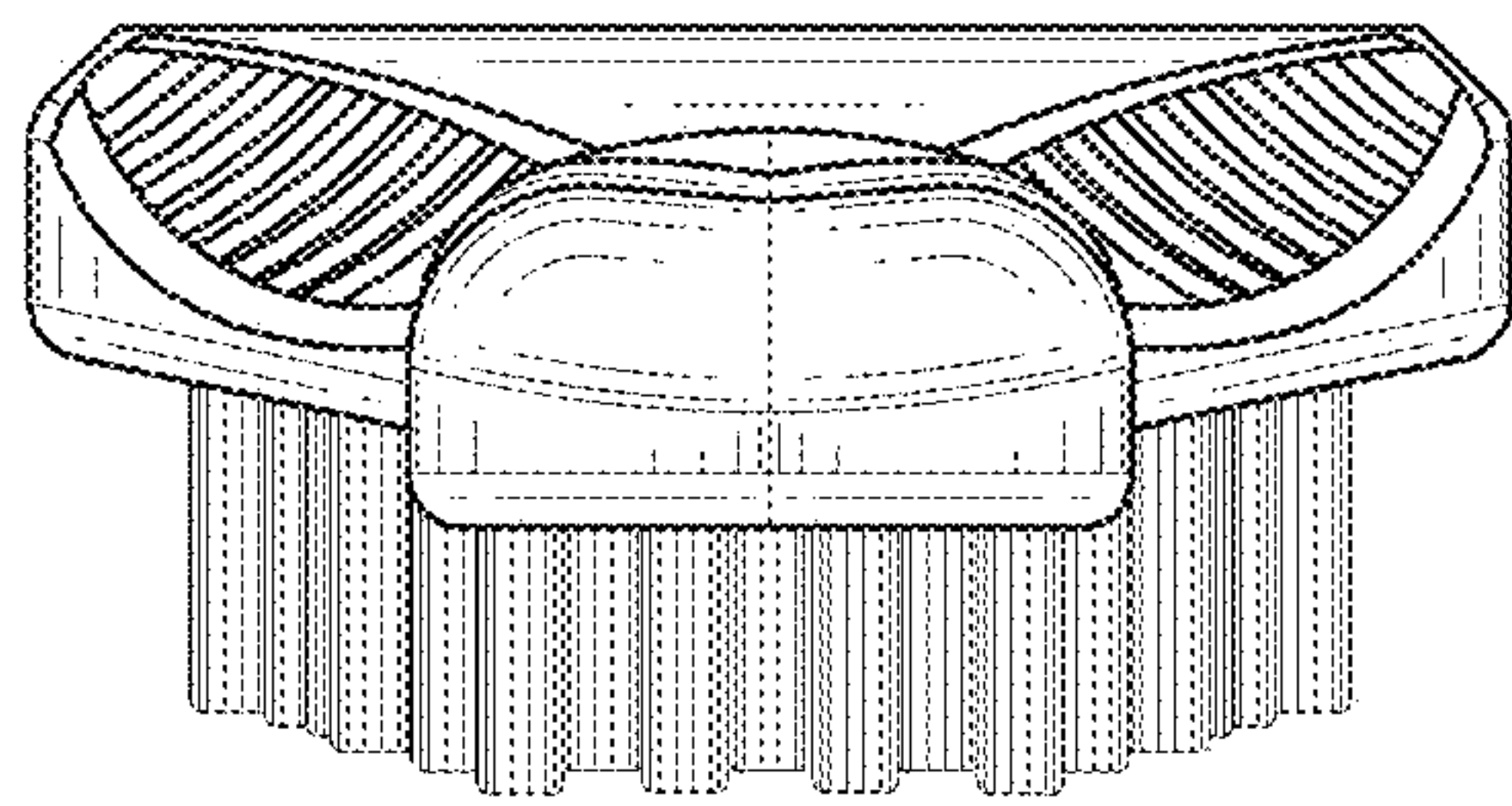


FIG. 5

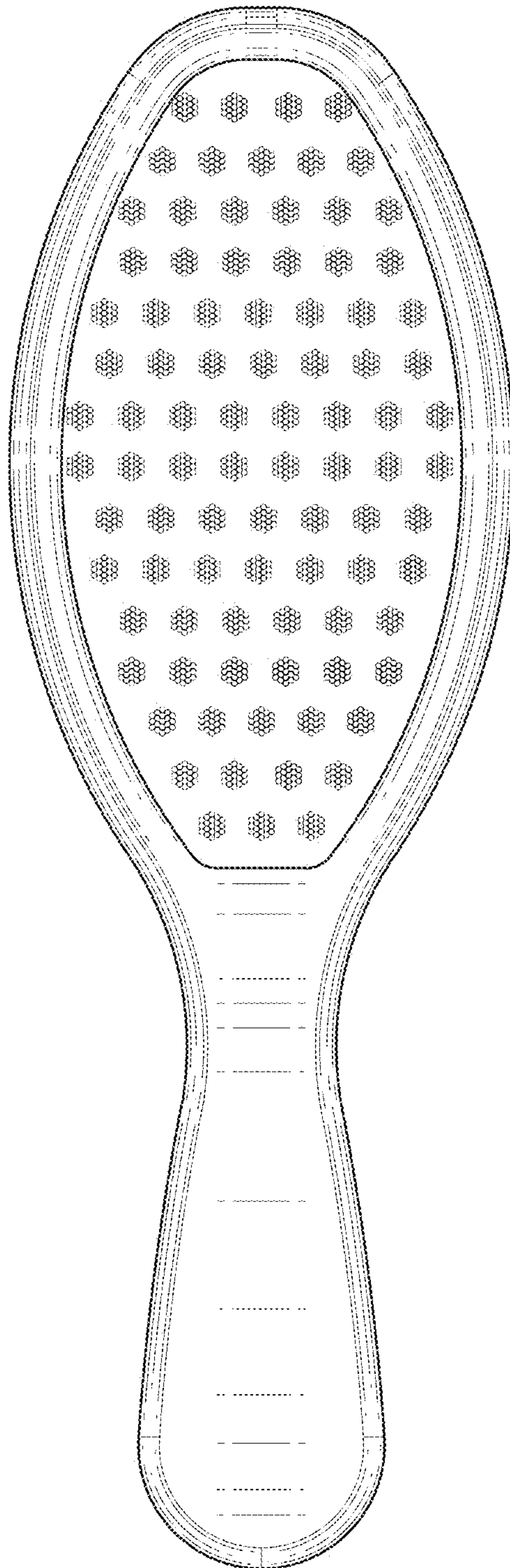


FIG. 6

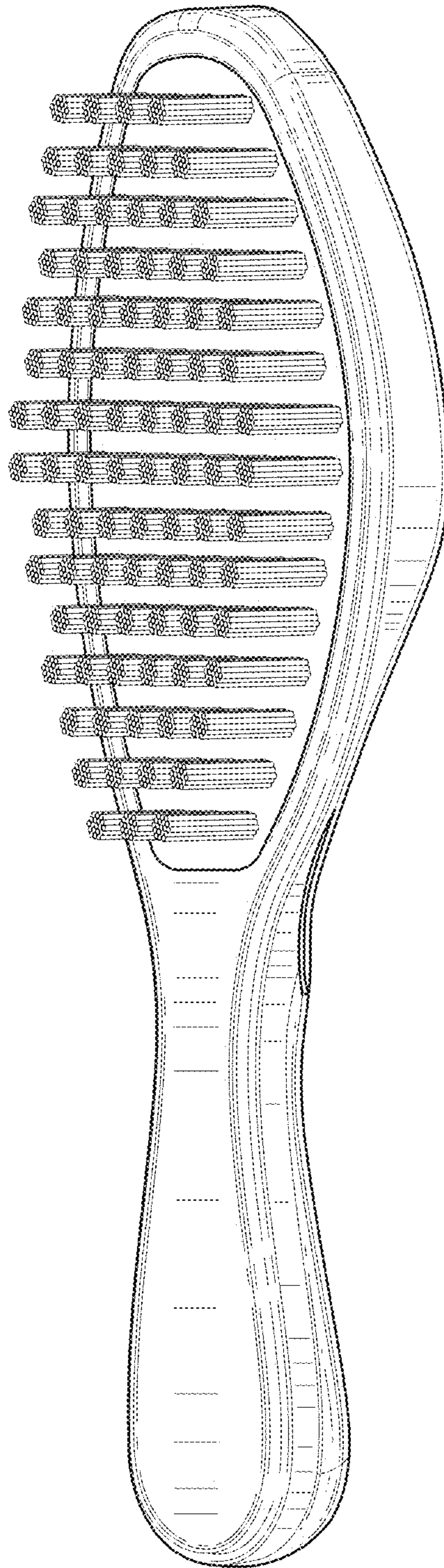


FIG. 7



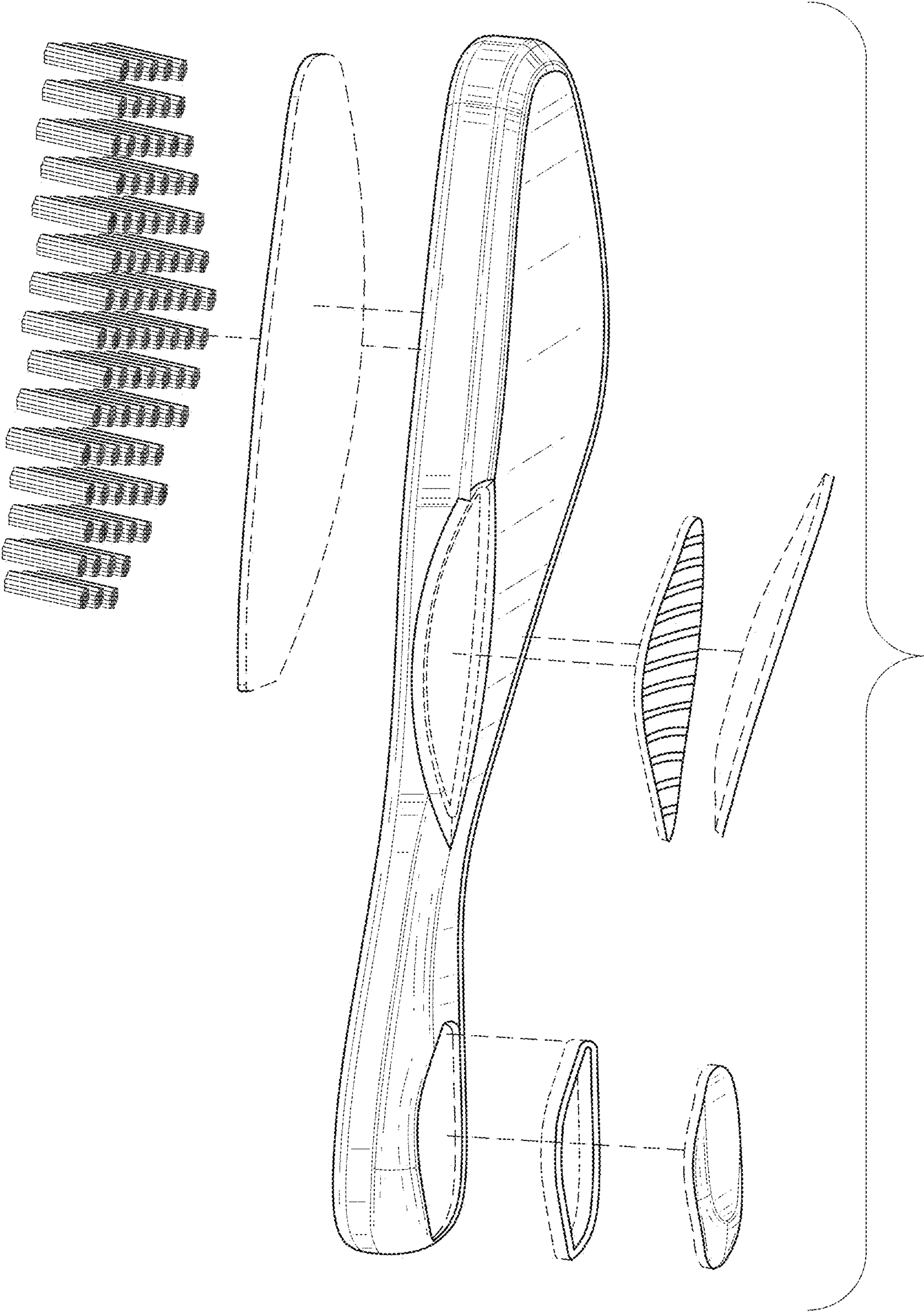


FIG. 8