

US00D903329S

(12) **United States Design Patent** (10) **Patent No.:** **US D903,329 S**
Aguiar et al. (45) **Date of Patent:** **** Dec. 1, 2020**

(54) **CLEANING BRUSH**
(71) Applicant: **The Libman Company**, Arcola, IL (US)
(72) Inventors: **Carlos Aguiar**, Burgo (PT); **Aaron Libman**, Champaign, IL (US); **Andrew D. Libman**, Champaign, IL (US); **Fernando De Jesus Santos**, Maceira Lra (PT)
(73) Assignee: **The Libman Company**, Arcola, IL (US)

6,308,365 B1 10/2001 Huang
D485,441 S * 1/2004 Lolis D4/106
6,694,559 B1 2/2004 Sloan et al.
D508,299 S 8/2005 Dunn et al.
D540,543 S 4/2007 Hay
7,213,289 B2 5/2007 Jaffe
D575,516 S 8/2008 Daniels
D575,524 S 8/2008 Libman et al.
D577,200 S 9/2008 Meyer
D577,201 S 9/2008 Meyer
D577,202 S 9/2008 Meyer
D625,924 S 10/2010 Juergens
D629,207 S 12/2010 Bickford
D634,548 S 3/2011 Bickford
D650,590 S 12/2011 Carlson et al.
D681,345 S 5/2013 Wales

(**) Term: **15 Years**
(21) Appl. No.: **29/743,530**
(22) Filed: **Jul. 22, 2020**

(Continued)
Primary Examiner — Rhea Shields
(74) *Attorney, Agent, or Firm* — Banner & Witcoff, Ltd.

Related U.S. Application Data

(63) Continuation of application No. 35/507,039, filed on Nov. 27, 2018 (U.S. filing date under 35 U.S.C. 384), and having an international filing date of Nov. 27, 2018, now abandoned.

(51) **LOC (12) Cl.** **04-01**
(52) **U.S. Cl.**
USPC **D4/120**

(58) **Field of Classification Search**
USPC D4/120, 119, 106, 105, 110, 138, 114, D4/101; D32/52, 42, 14.1, 35; D23/223; D28/50
CPC B25F 1/006; A46B 5/0012; A46B 17/08; A46B 5/02; A46B 9/04; A46B 9/06; A46B 9/026; A61C 3/005; A61C 17/20
See application file for complete search history.

(56) **References Cited**

U.S. PATENT DOCUMENTS

D324,310 S * 3/1992 Barman D4/106
6,112,357 A 9/2000 Halloran

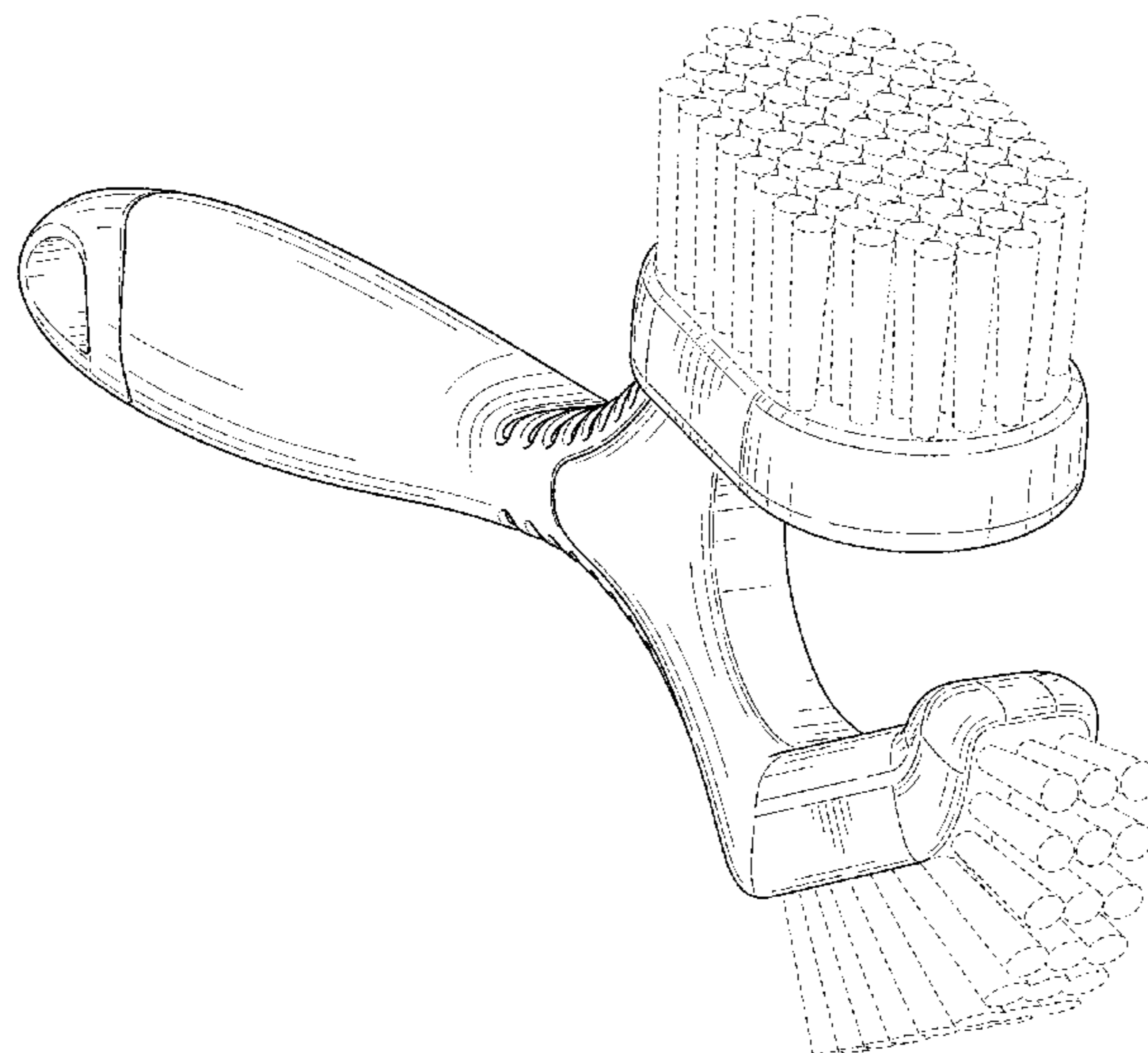
(57) **CLAIM**

The ornamental design for a cleaning brush, as shown and described.

DESCRIPTION

FIG. 1 is a front, left perspective view of a cleaning brush showing our new design;
FIG. 2 is a front view thereof;
FIG. 3 is a rear view thereof;
FIG. 4 is a right side view thereof;
FIG. 5 is a left side view thereof;
FIG. 6 is a top view thereof;
FIG. 7 is a bottom view thereof; and,
FIG. 8 is a rear, right perspective view thereof.
In the drawings, the dot-dash-dot broken lines define the bounds of the claim and form no part of the claimed design. The evenly spaced broken lines in the drawings are for the purpose of illustrating portions of the cleaning brush which form no part of the claimed design.

1 Claim, 6 Drawing Sheets



(56)

References Cited

U.S. PATENT DOCUMENTS

D696,020 S * 12/2013 Hegemann D4/101
D742,650 S 11/2015 Albers
D744,758 S 12/2015 Albers
9,210,997 B2 12/2015 Repchuk
9,271,816 B2 * 3/2016 Sverzhin-Babiner
A61C 17/20
9,648,942 B2 * 5/2017 Nadeau A61C 3/005
D791,487 S 7/2017 Ganzmann
D791,491 S 7/2017 Hill
D826,568 S * 8/2018 Sheinkman D4/105
D885,061 S * 5/2020 Yang D4/101
D885,768 S * 6/2020 Li D4/106
2002/0152563 A1 * 10/2002 Sato A46B 9/026
15/22.1
2013/0067670 A1 * 3/2013 Liangco A46B 9/06
15/167.2
2017/0056147 A1 * 3/2017 Khaef A46B 9/04

* cited by examiner

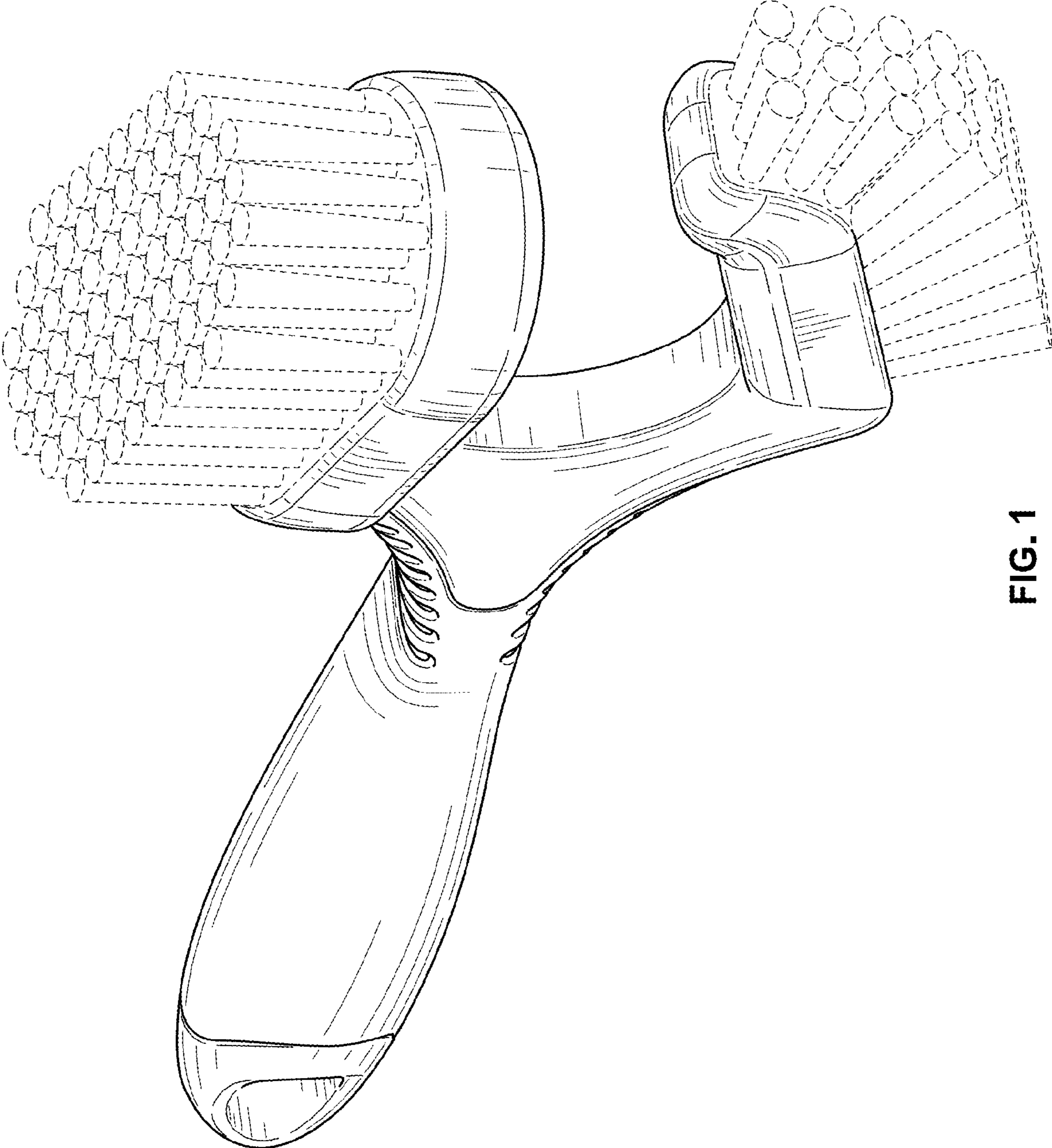


FIG. 1

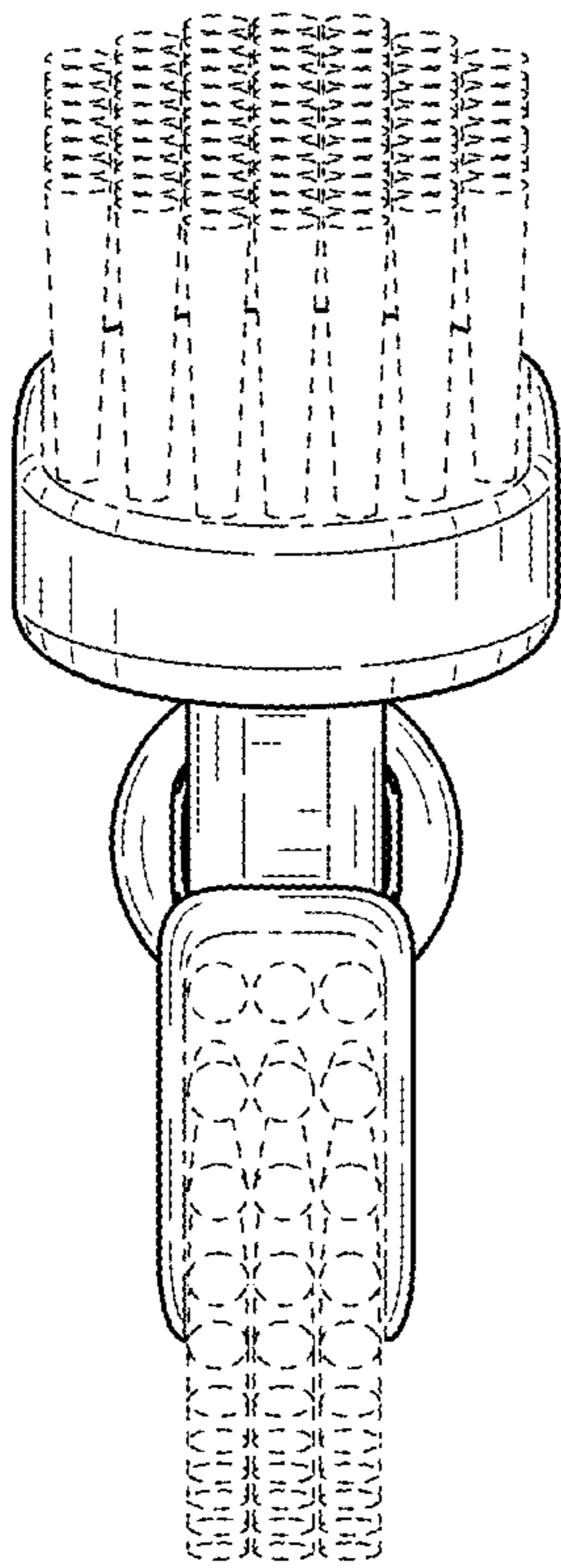


FIG. 2

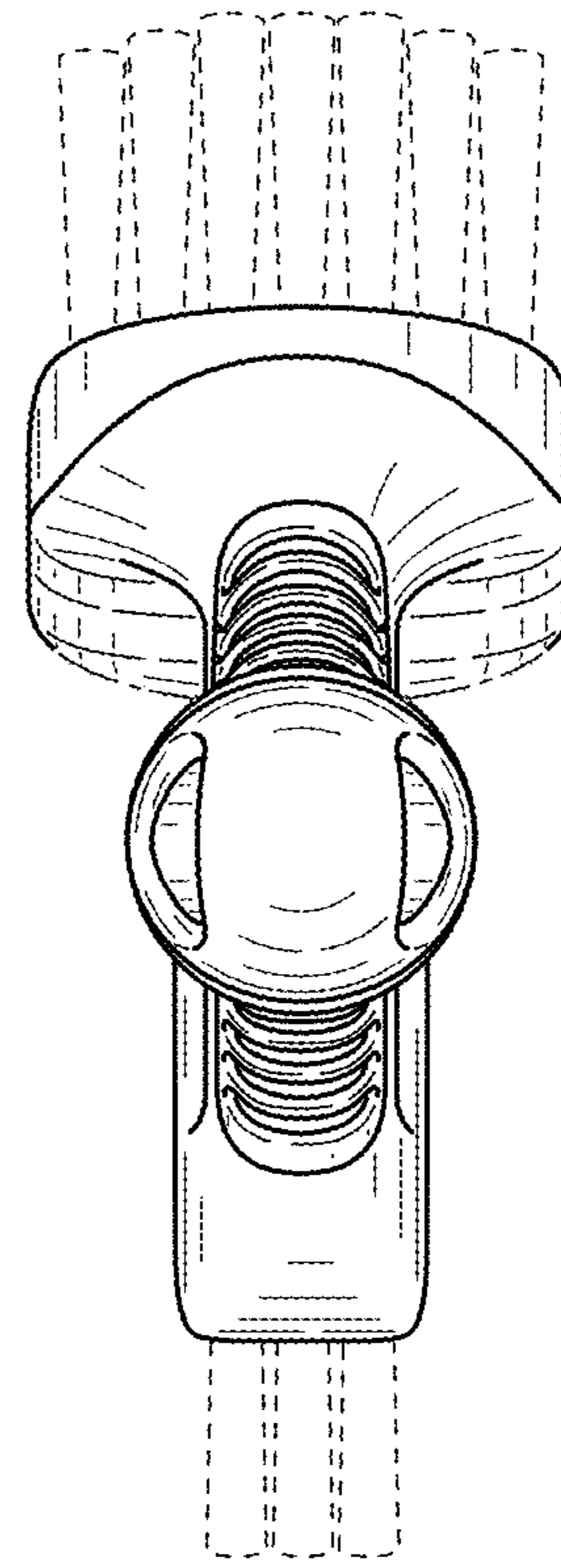


FIG. 3

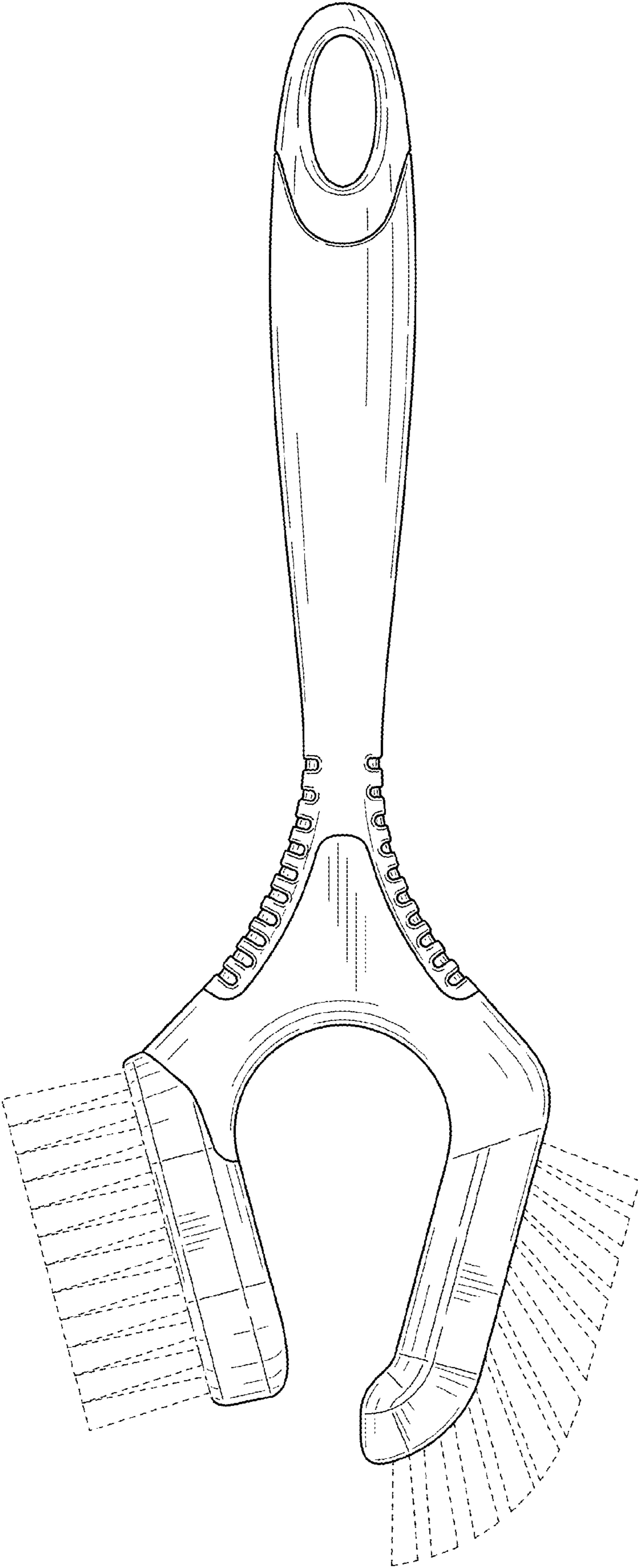


FIG. 4

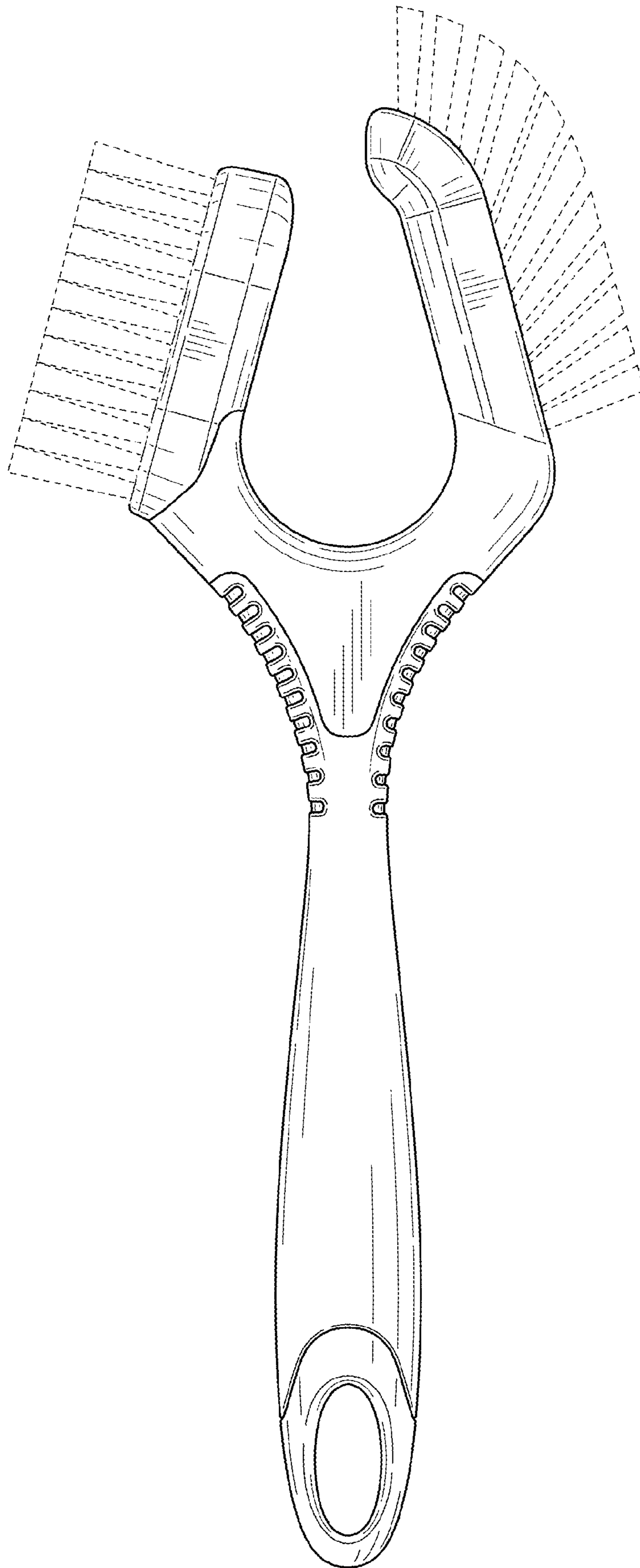


FIG. 5

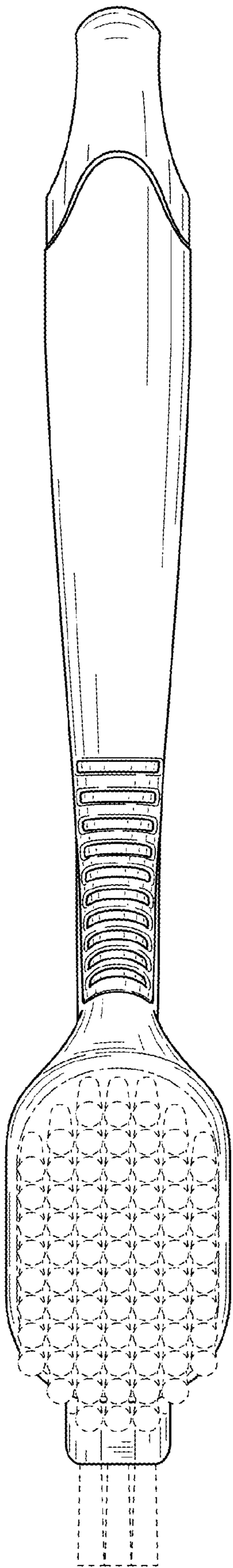


FIG. 6

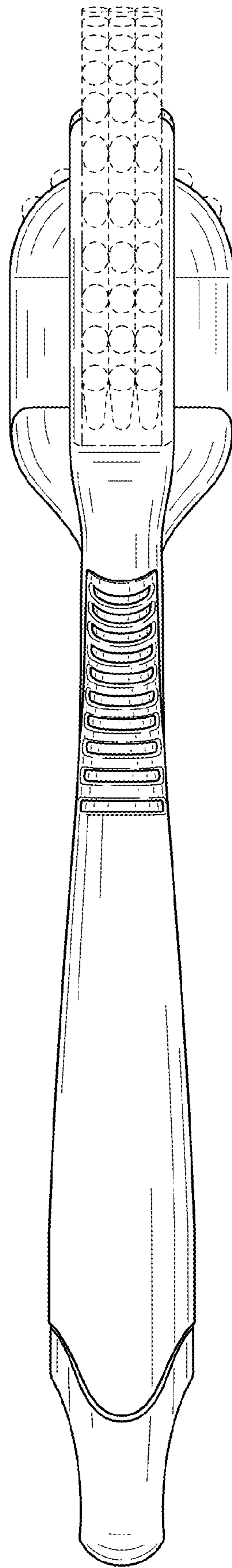


FIG. 7

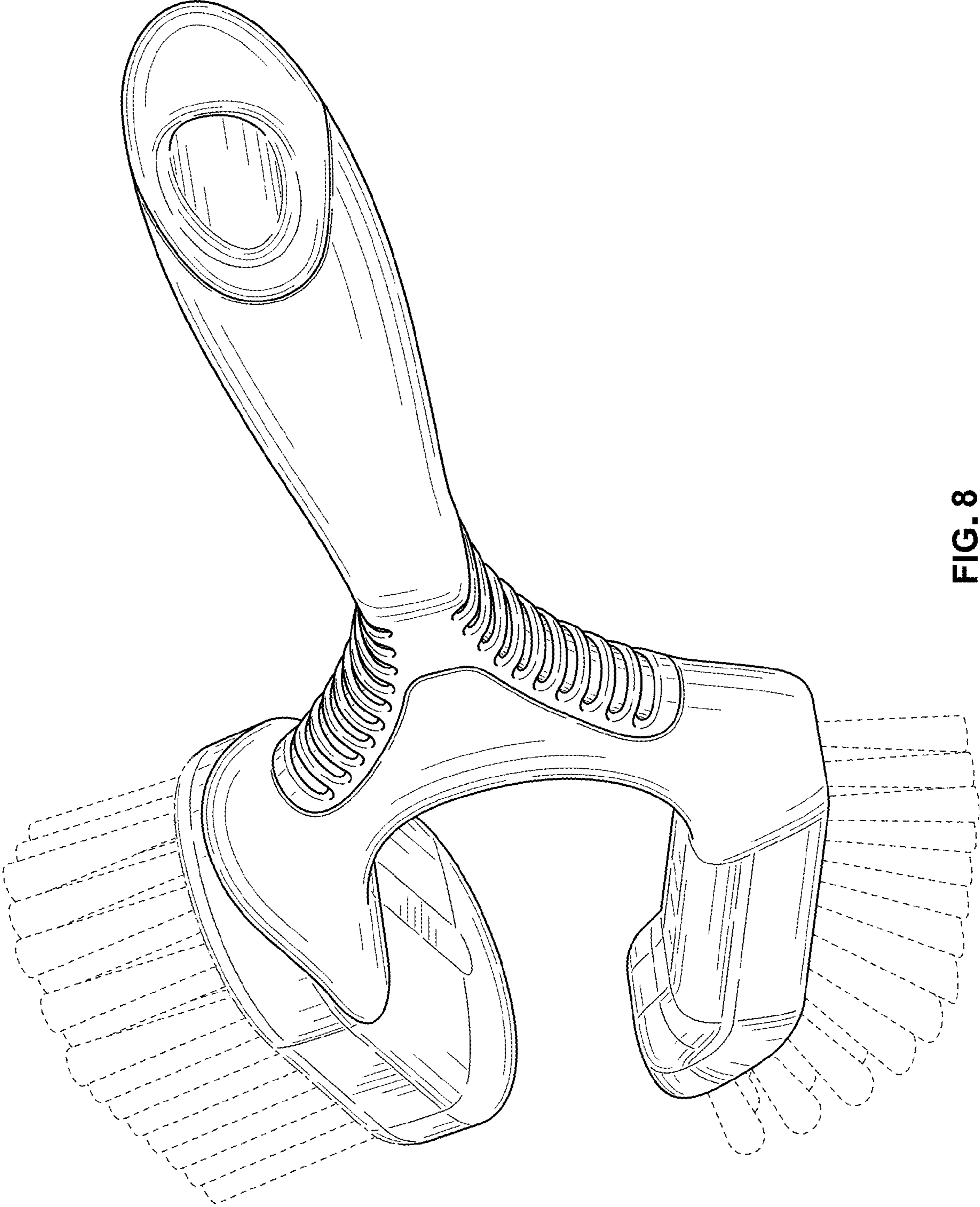


FIG. 8