



US00D903328S

(12) **United States Design Patent** (10) **Patent No.:** **US D903,328 S**
Luo (45) **Date of Patent:** **** Dec. 1, 2020**

(54) **BATH SPONGE SHOWER BRUSH**

(71) Applicant: **Fang Luo**, Guangdong (CN)

(72) Inventor: **Fang Luo**, Guangdong (CN)

(**) Term: **15 Years**

(21) Appl. No.: **29/740,395**

(22) Filed: **Jul. 2, 2020**

(51) **LOC (12) Cl.** **04-01**

(52) **U.S. Cl.**
USPC **D4/119**

(58) **Field of Classification Search**
USPC D4/119, 120, 138, 118, 127, 115;
D24/146; D28/63, 91.2; D32/42
CPC .. A46B 15/0055; A46B 11/063; A47L 13/257
See application file for complete search history.

(56) **References Cited**

U.S. PATENT DOCUMENTS

- 315,814 A * 4/1885 Morgan A47L 13/257
15/244.1
- D21,179 S * 11/1891 Hardie D4/127
- D42,119 S * 1/1912 Thompson D24/211
- 2,116,864 A * 5/1938 Fehrenbach A46B 11/063
401/24
- D158,250 S * 4/1950 Cosby, Jr. D4/127
- D166,124 S * 3/1952 Pearce D4/120
- D203,742 S * 2/1966 Roberts D4/118
- D310,270 S * 8/1990 Bacal 401/6
- D318,179 S * 7/1991 Akins D4/115
- D337,659 S * 7/1993 Lacy D32/42
- D343,297 S * 1/1994 Haines D28/63
- D351,285 S * 10/1994 Joyner D28/63
- D410,789 S * 6/1999 Cheng D4/127
- D425,307 S * 5/2000 Choi D24/146
- D441,959 S * 5/2001 Chen D4/120
- D445,257 S * 7/2001 Hay D4/120
- D466,308 S * 12/2002 Chen D4/120
- D471,365 S * 3/2003 Henrie D4/120

- D480,215 S * 10/2003 Mastroianni D4/118
- D497,998 S * 11/2004 Nan
- D512,225 S * 12/2005 Chien D4/120
- D532,608 S * 11/2006 Berti D4/120
- D540,543 S * 4/2007 Hay D4/118
- D542,036 S * 5/2007 Rhoades D4/120
- D556,457 S * 12/2007 Ajootian D4/120
- D778,068 S * 2/2017 Harrington D4/138
- D798,065 S * 9/2017 Brilla D4/138
- D890,435 S * 7/2020 Livingston D28/91.2

(Continued)

OTHER PUBLICATIONS

Body Scrubber,Back Scrubber Shower Anzonn Double-sided Body Bath Brush with Loofah Sponge,Long Handle Stick Loofah for Back Exfoliator,Exfoliating,Massage Suitable for Dry or Wet Brushing found on the internet Sep. 14, 2020 by RMS at amazon.com.*

(Continued)

Primary Examiner — Rhea Shields

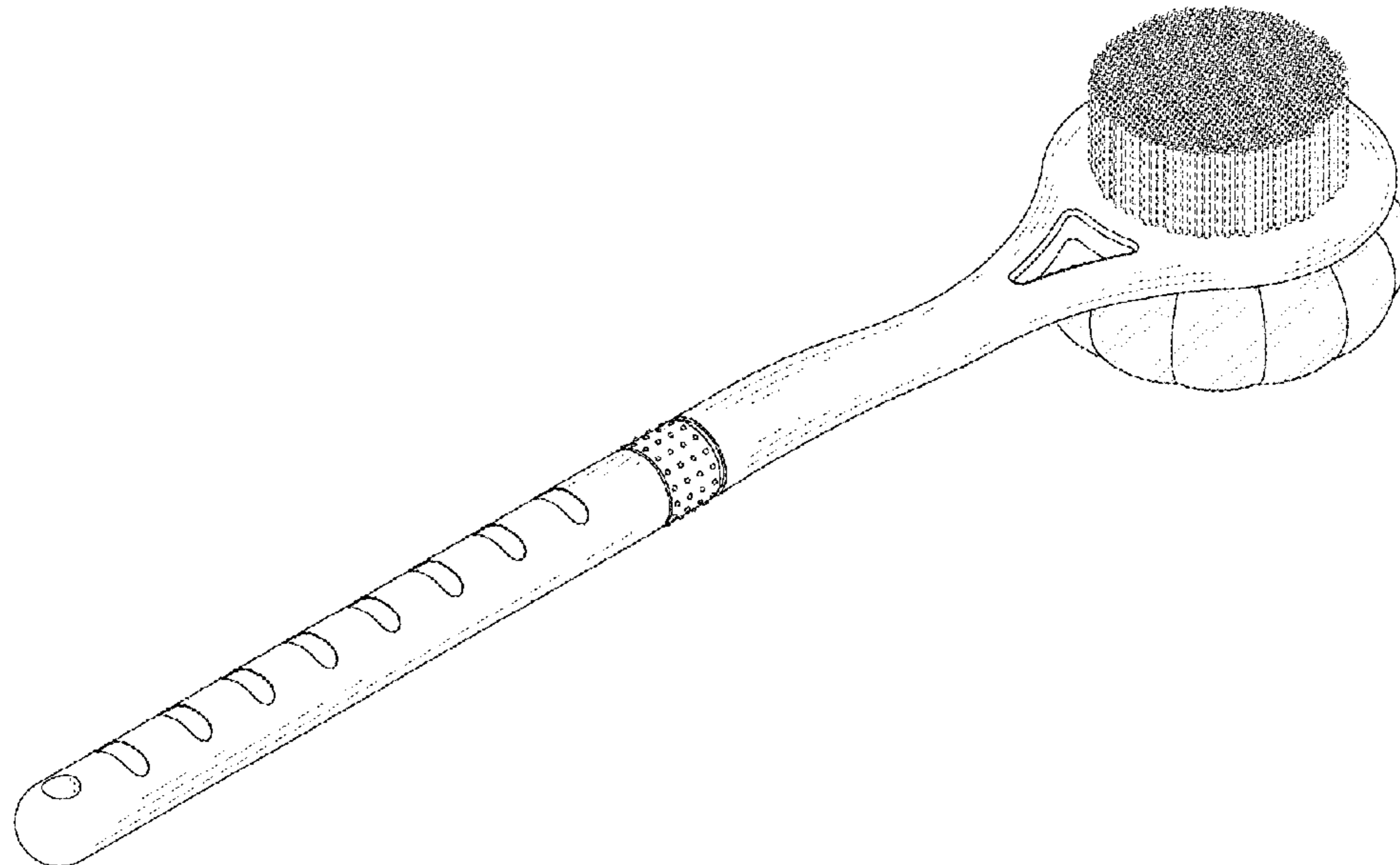
(57) **CLAIM**

The ornamental design for a bath sponge shower brush, as shown and described.

DESCRIPTION

FIG. 1 is a perspective view of a bath sponge shower brush showing my new design;
FIG. 2 is a front view thereof;
FIG. 3 is a rear view thereof;
FIG. 4 is a left side view thereof;
FIG. 5 is a right side view thereof;
FIG. 6 is a top plan view thereof; and,
FIG. 7 is a bottom plan view thereof.
In the drawings, the broken lines are for the purpose of illustrating portions of the bath sponge shower brush that forms no part of the claimed design.

1 Claim, 7 Drawing Sheets



(56)

References Cited

U.S. PATENT DOCUMENTS

2009/0013487 A1* 1/2009 Lei A46B 15/0055
15/143.1

OTHER PUBLICATIONS

“Long Handle Bath Brush” found on the internet by RMS on Sep. 14, 2020 at https://us.shein.com/Long-Handle-Bath-Brush-p-874131-cat-1946.html?url_from=adplsbhealth03191010662one-size&gclid=EAla1QobChM1z-Cp1oPp6w1VwuD1Ch1AuwwdEakYBiABEgLvBPD_BwE.*

* cited by examiner

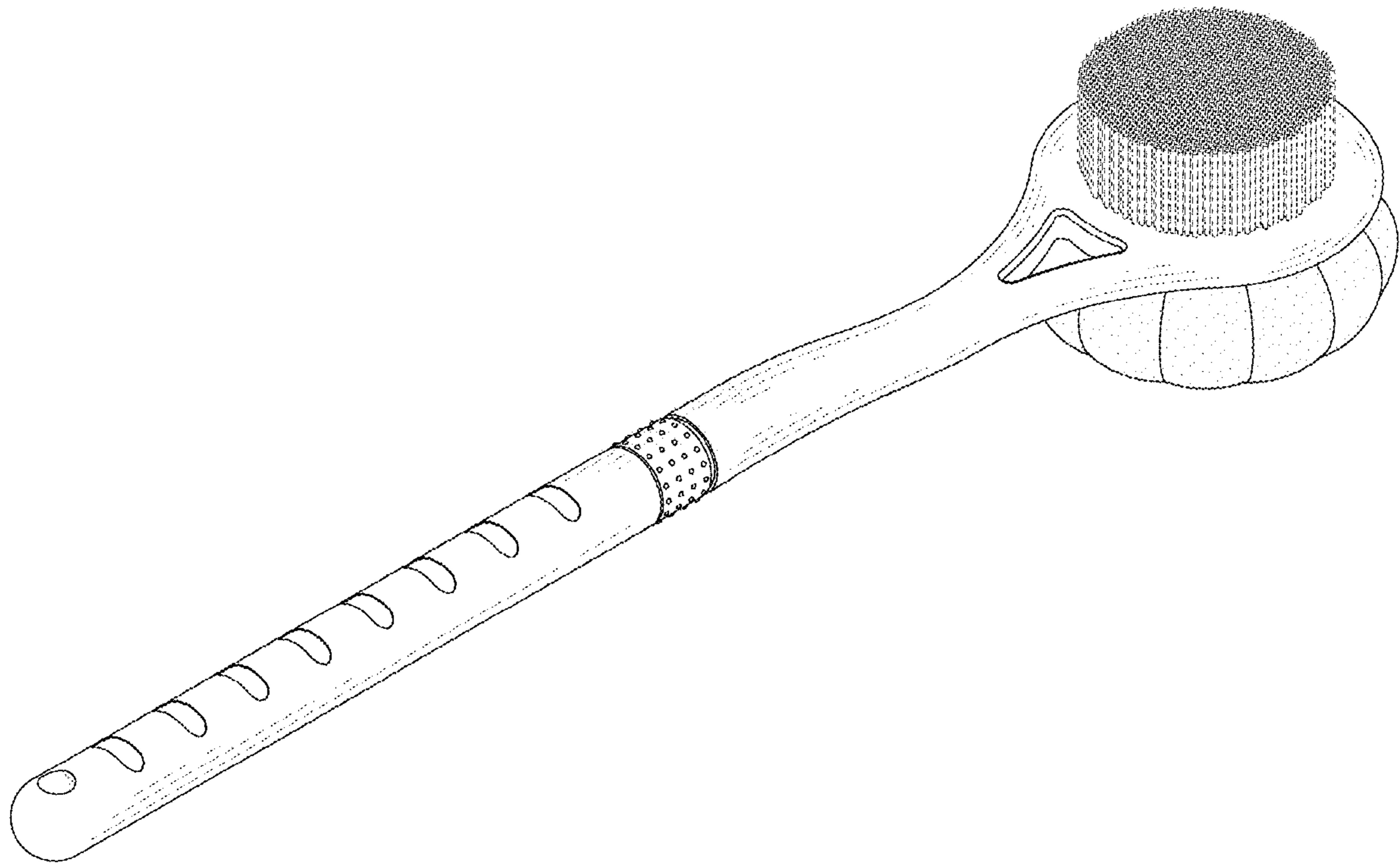


FIG.1

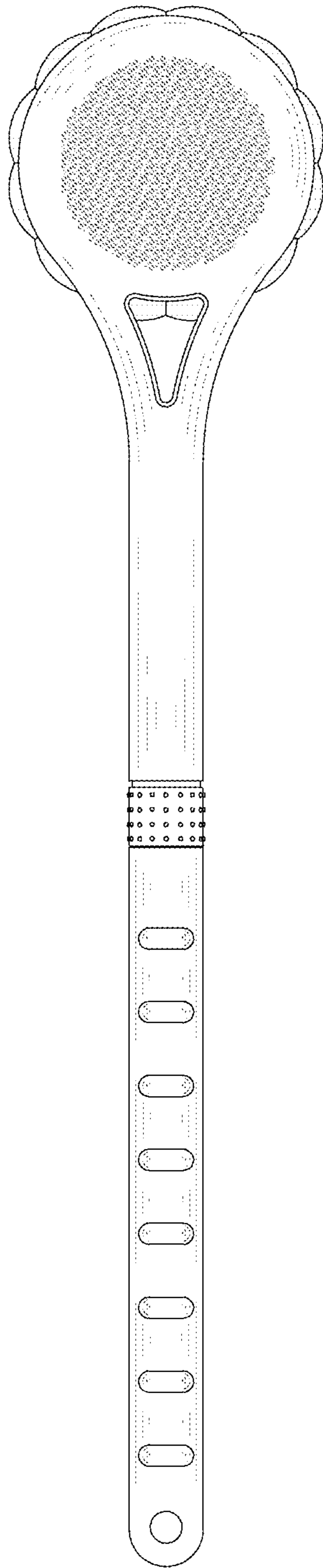


FIG. 2

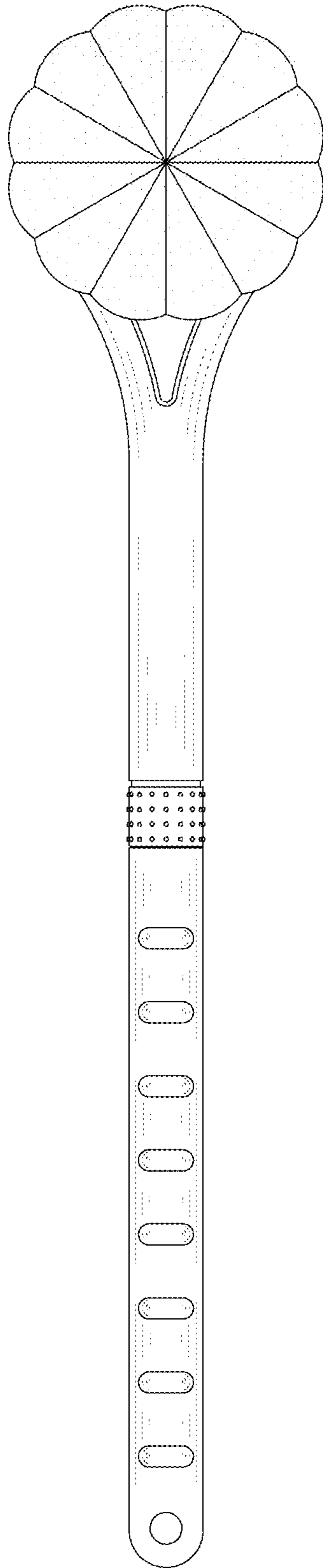


FIG. 3

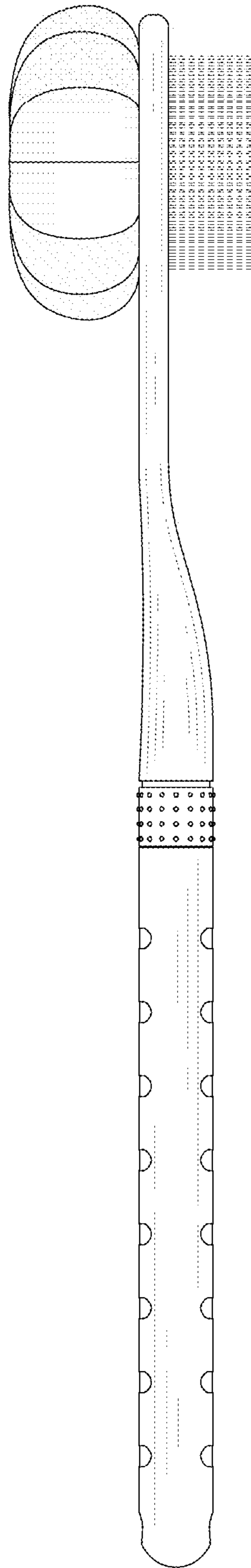


FIG.4

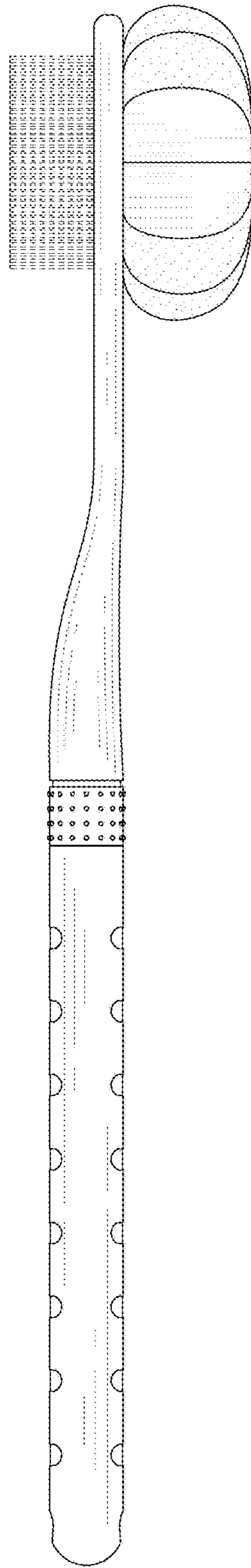


FIG. 5

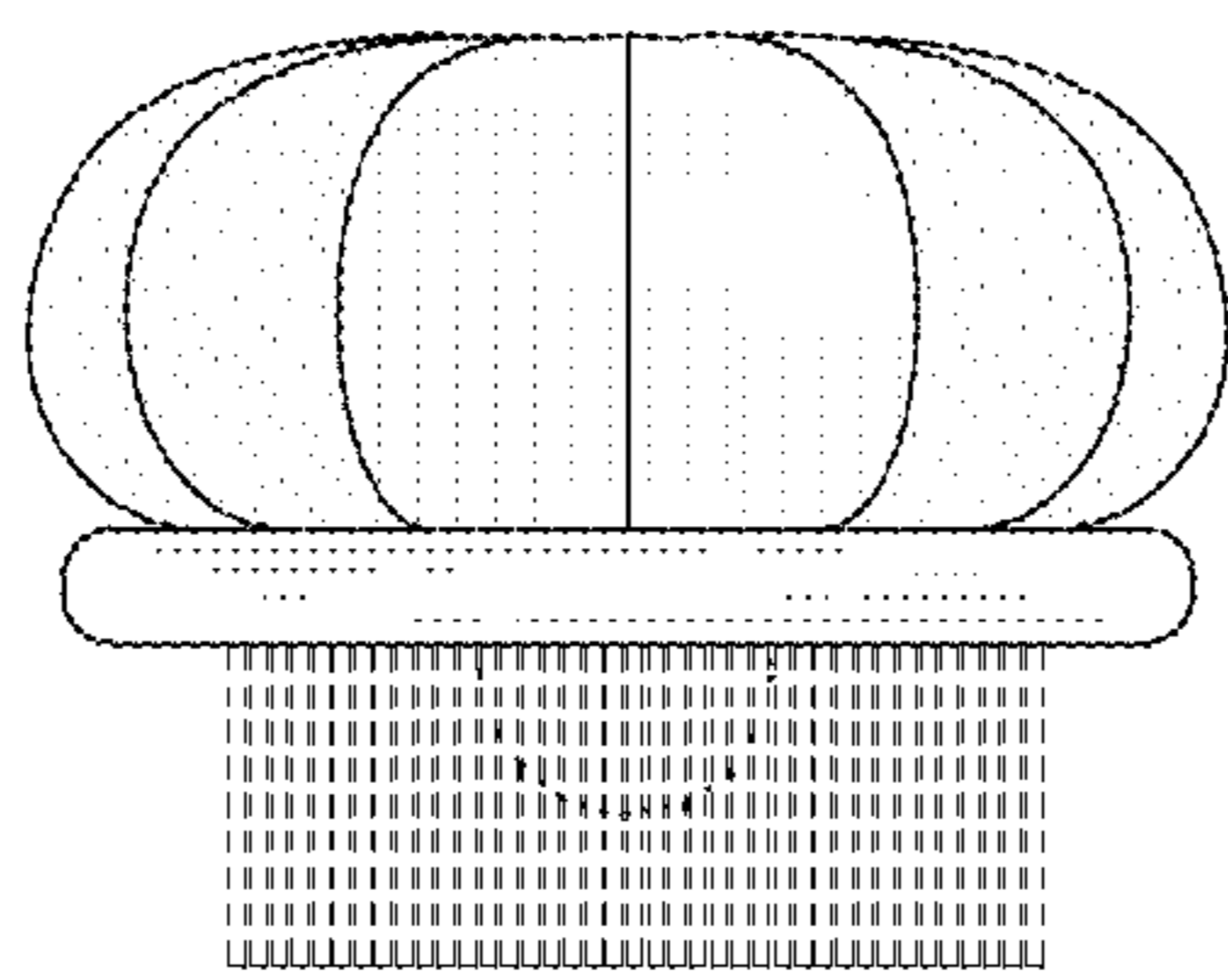


FIG. 6

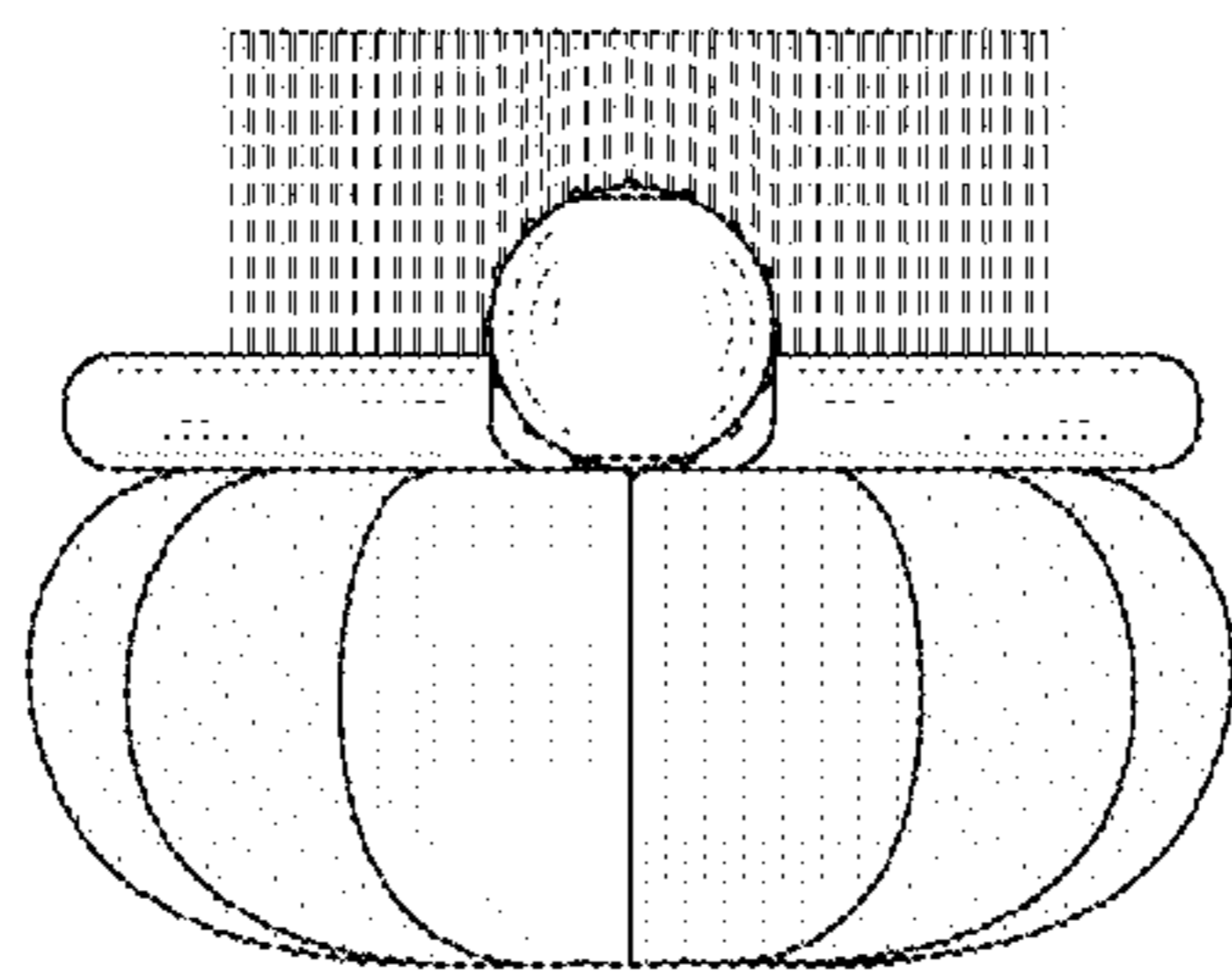


FIG. 7