



US00D903323S

(12) **United States Design Patent**
Cormack et al.

(10) **Patent No.:** **US D903,323 S**

(45) **Date of Patent:** **** Dec. 1, 2020**

- (54) **BACKPACK WITH LIGHT**
- (71) Applicant: **Herschel Supply Company Ltd.,**
Vancouver (CA)
- (72) Inventors: **Lyndon Cormack, Vancouver (CA);**
Robert C. Gill, Vancouver (CA)
- (73) Assignee: **Herschel Supply Company Ltd.**
- (**) Term: **15 Years**
- (21) Appl. No.: **29/679,829**
- (22) Filed: **Feb. 11, 2019**
- (51) **LOC (12) Cl.** **03-01**
- (52) **U.S. Cl.**
USPC **D3/318**
- (58) **Field of Classification Search**
USPC D3/216–217, 318
CPC A45F 4/02; A45F 3/04; A45C 15/06
See application file for complete search history.

- D661,470 S * 6/2012 Baron D2/866
- 8,496,344 B1 * 7/2013 Chapman A45C 15/06
362/108
- 8,747,233 B1 * 6/2014 Klein F41B 15/02
362/102
- 2003/0179569 A1 * 9/2003 Huang A45C 13/08
362/109

* cited by examiner

Primary Examiner — Holly H Baynham

(74) *Attorney, Agent, or Firm* — Blake, Cassels &
Graydon LLP; Laurie C. Wright

(57) **CLAIM**

The ornamental design for a backpack with light, substan-
tially as shown and described.

DESCRIPTION

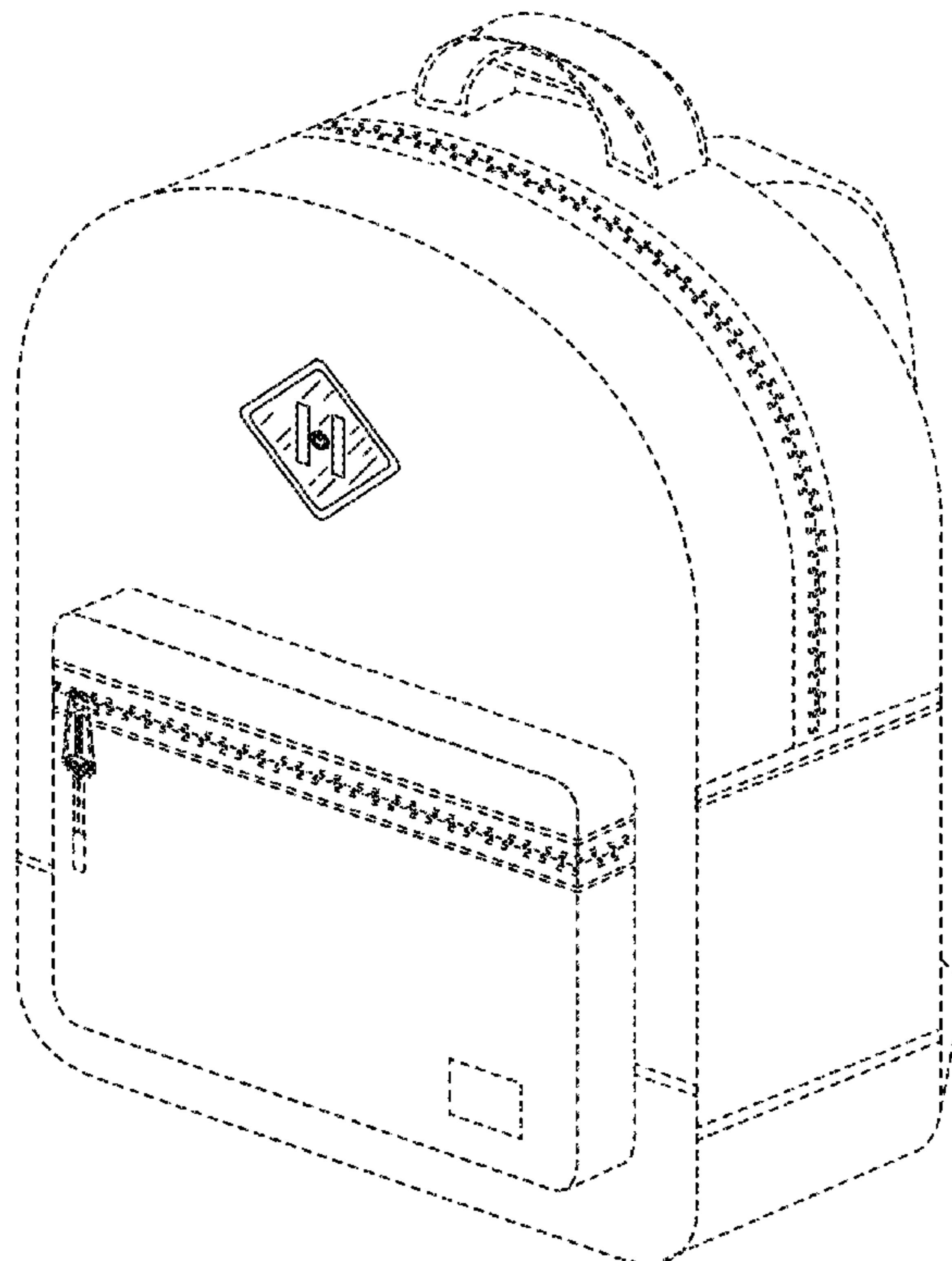
FIG. 1 is a top, front perspective view of the backpack with light.
 FIG. 2 is a front elevational view of the design of FIG. 1.
 FIG. 3 is a left elevational view of the design of FIG. 1.
 FIG. 4 is a right elevational view of the design of FIG. 1.
 FIG. 5 is a rear elevational view of the design of FIG. 1.
 FIG. 6 is a top view of the design of FIG. 1.
 FIG. 7 is a bottom view of the design of FIG. 1.
 FIG. 8 is an enlarged view of the light patch shown in FIG. 1, with the lights in an “off” condition; and,
 FIG. 9 is an enlarged view of the light patch shown in FIG. 1, with the lights in an “on” condition.
 The portions of the figures shown in broken lines represent features that do not form part of the claimed design.

(56) **References Cited**

U.S. PATENT DOCUMENTS

- 5,018,057 A * 5/1991 Biggs A45C 15/06
362/156
- D415,344 S * 10/1999 Leibowitz D3/216
- D426,056 S * 6/2000 Gaines D3/217
- 6,132,059 A * 10/2000 Leibowitz A45C 15/06
362/154
- D577,491 S 9/2008 Rapisarda
- 7,950,819 B2 * 5/2011 Wells F21V 23/04
362/157

1 Claim, 9 Drawing Sheets



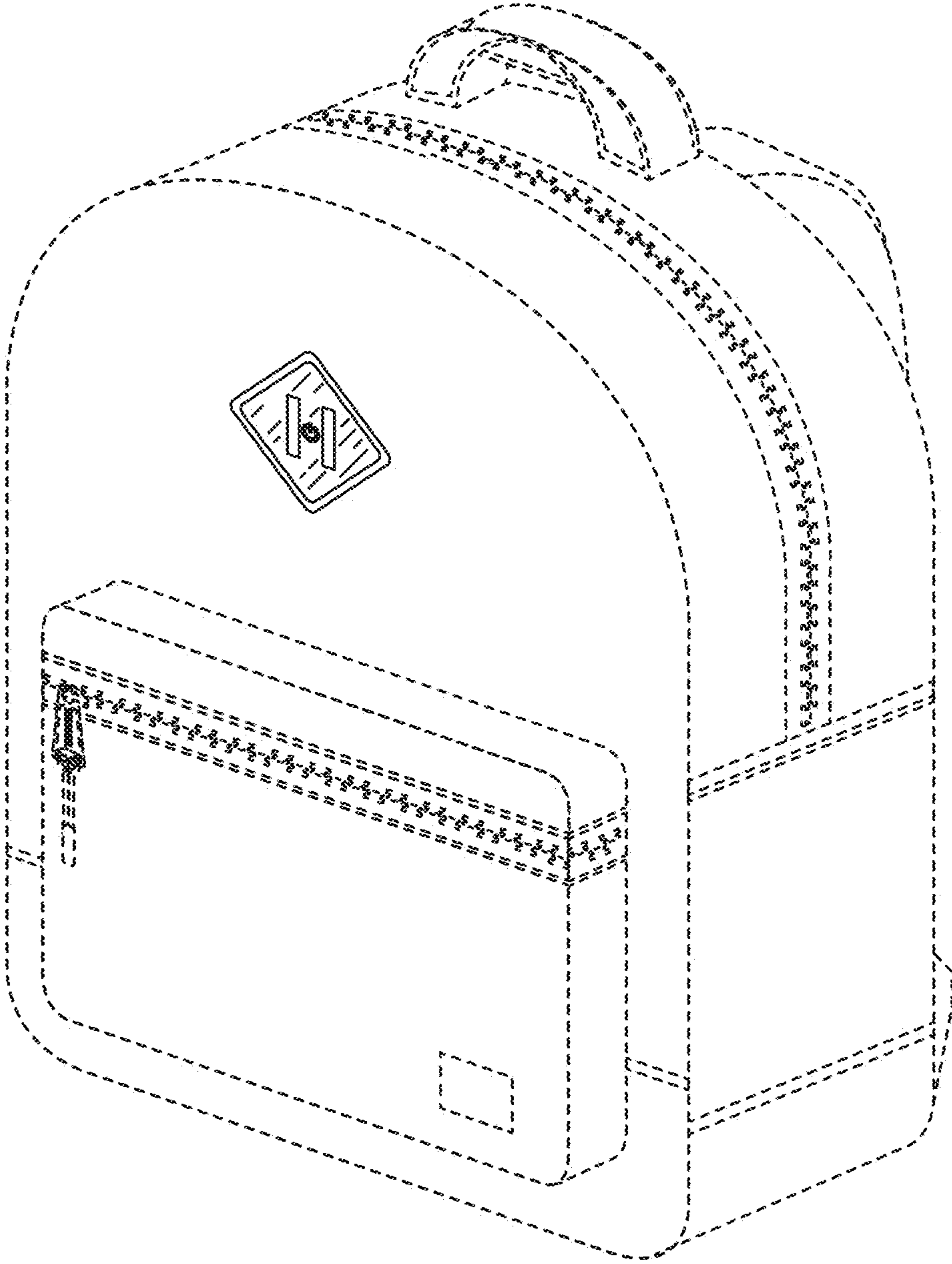


FIG. 1

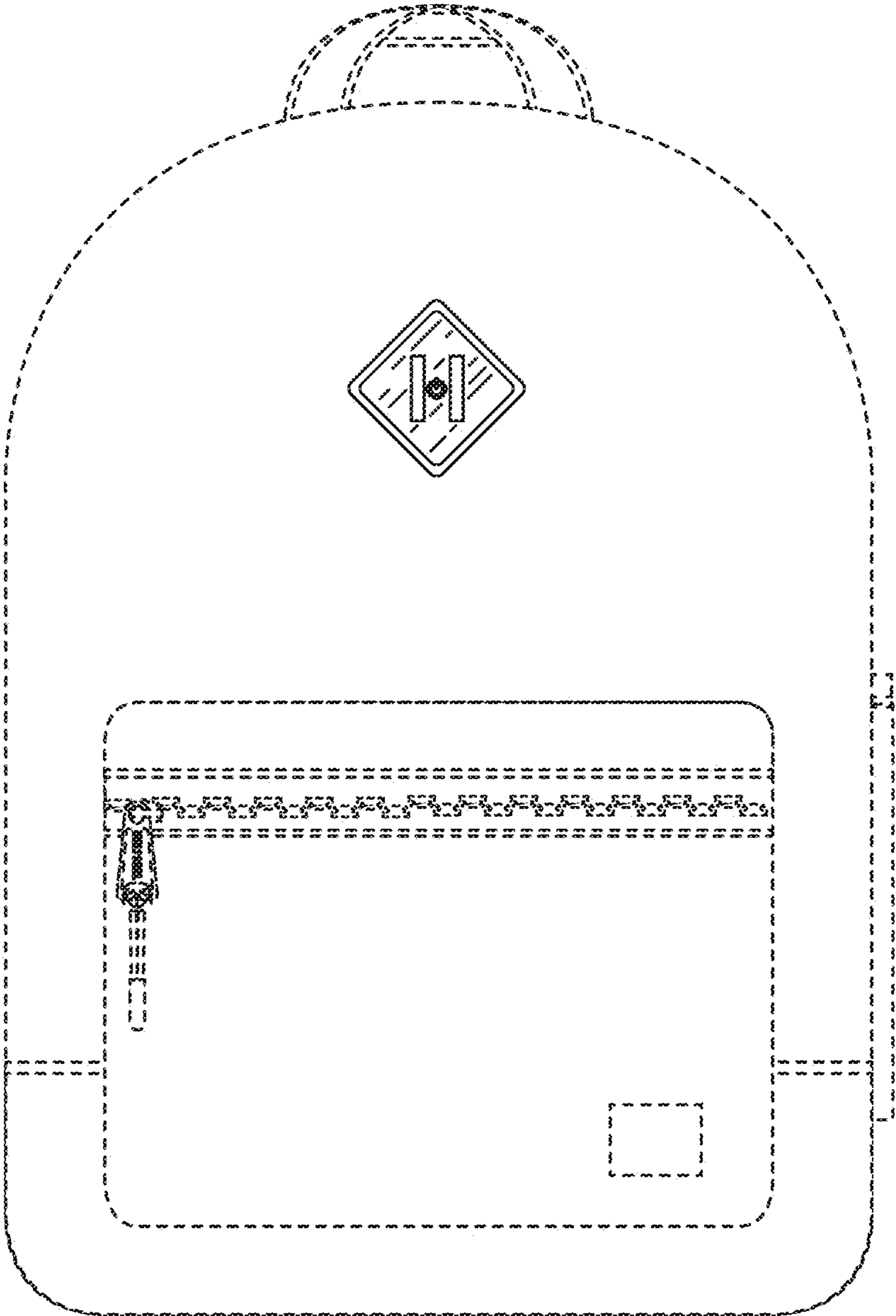


FIG. 2

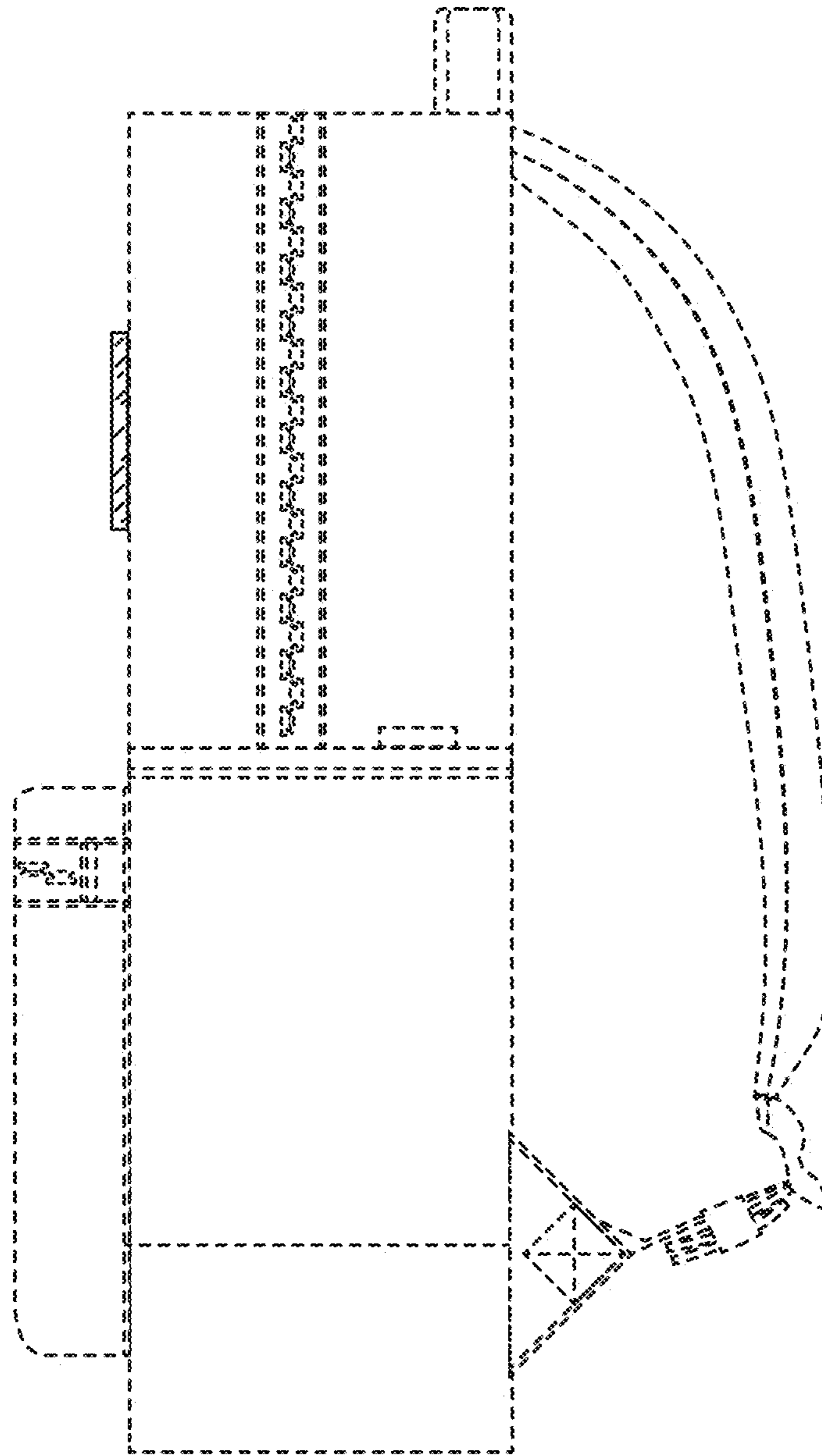


FIG. 3

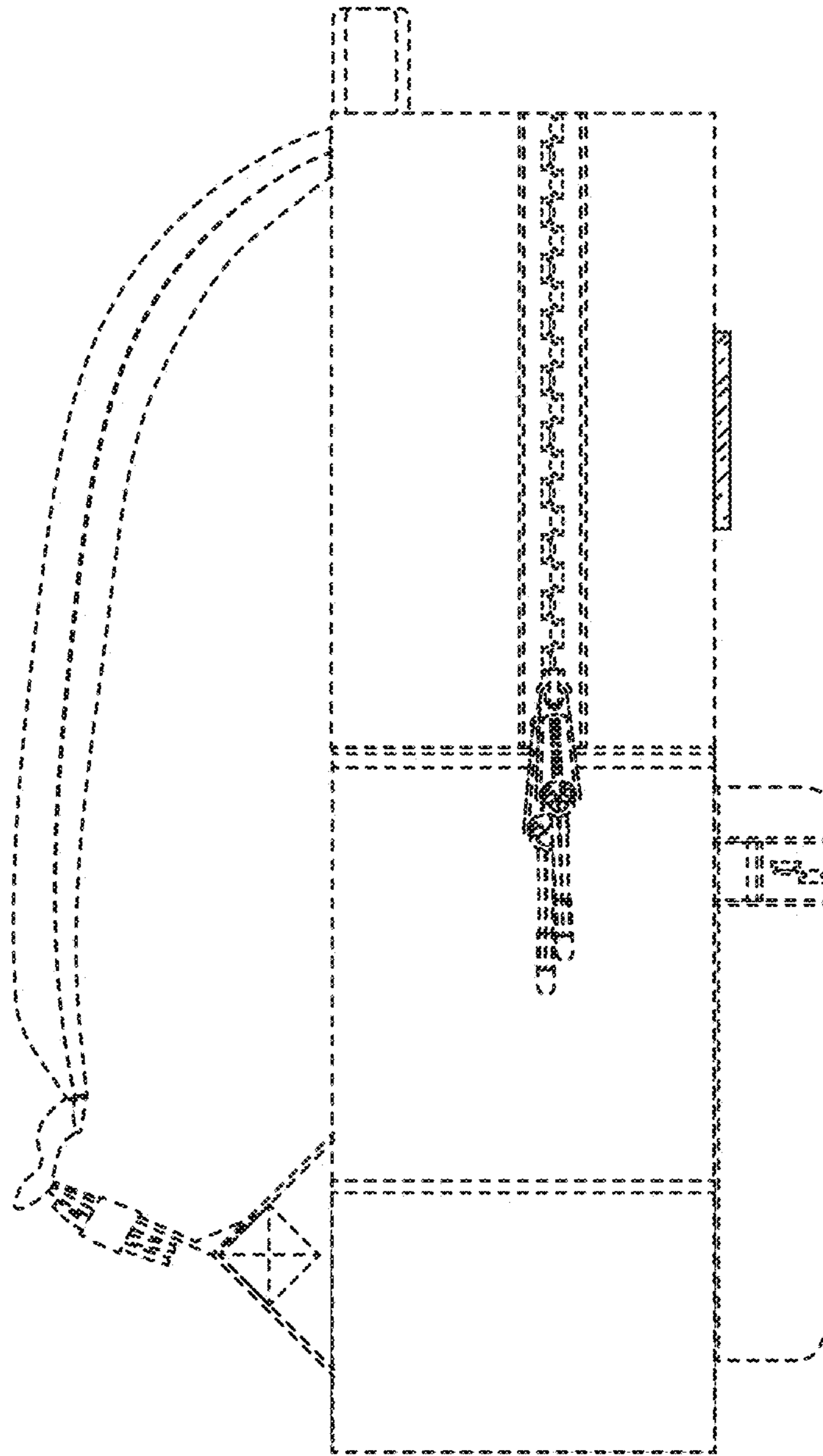


FIG. 4

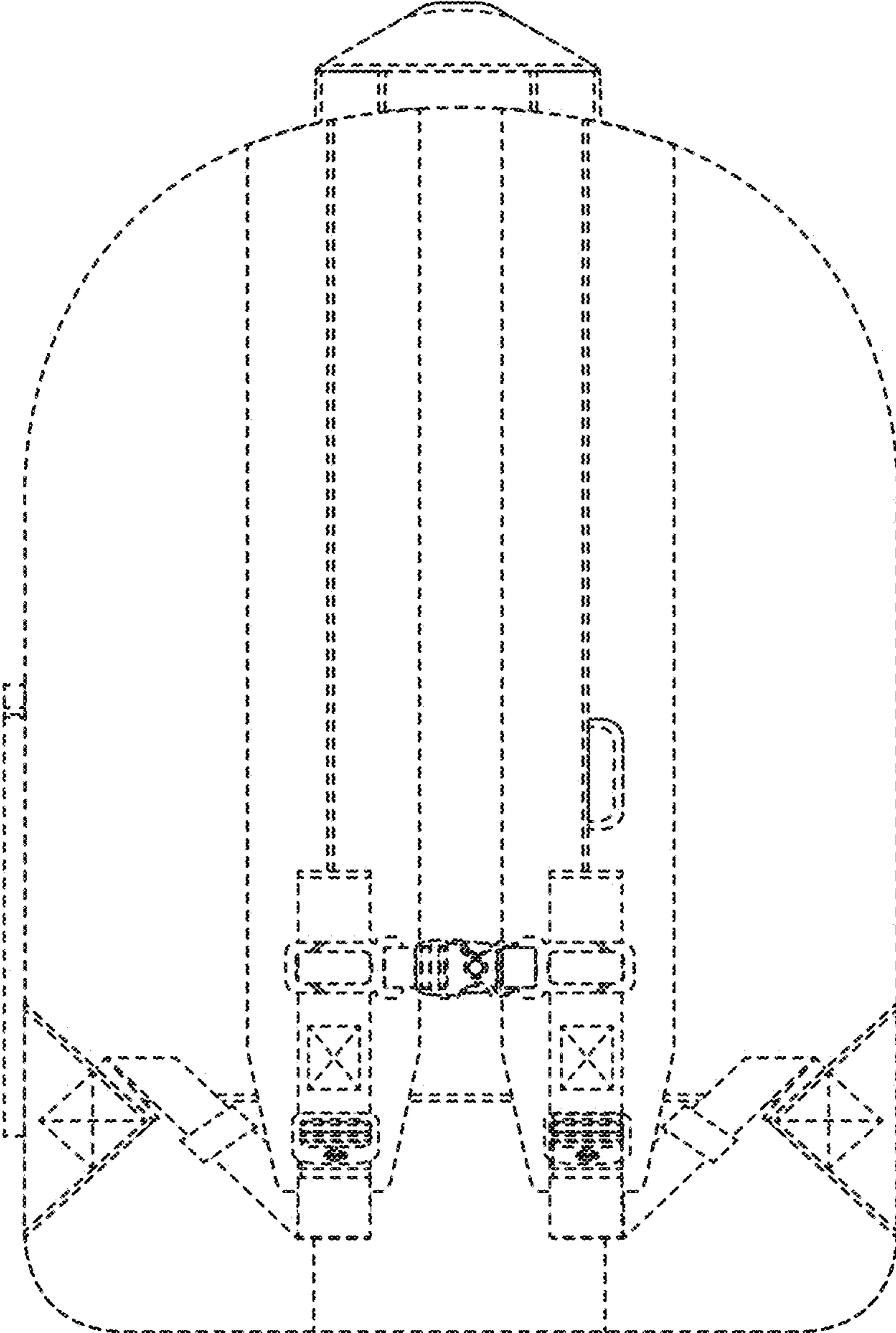


FIG. 5

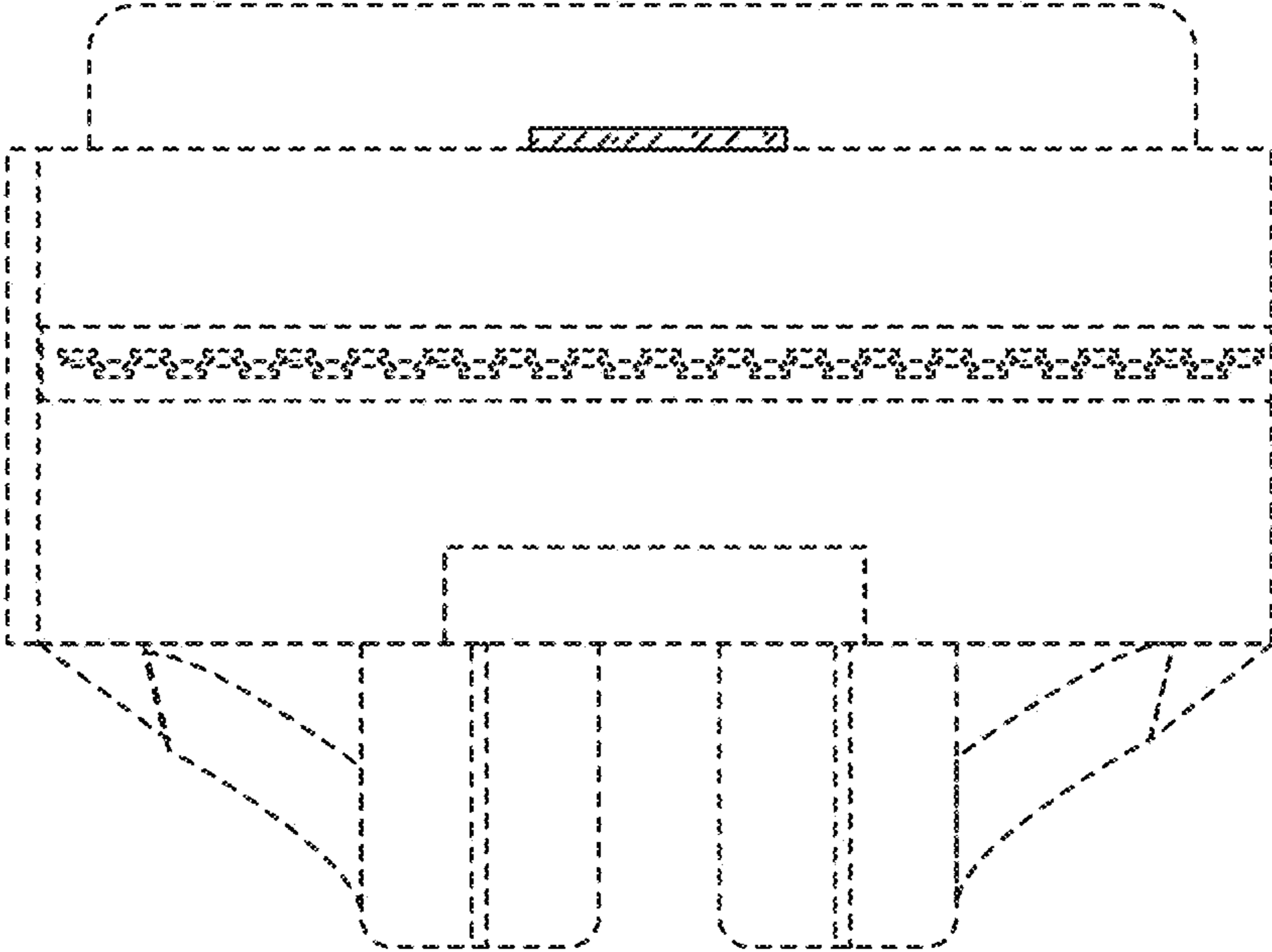


FIG. 6

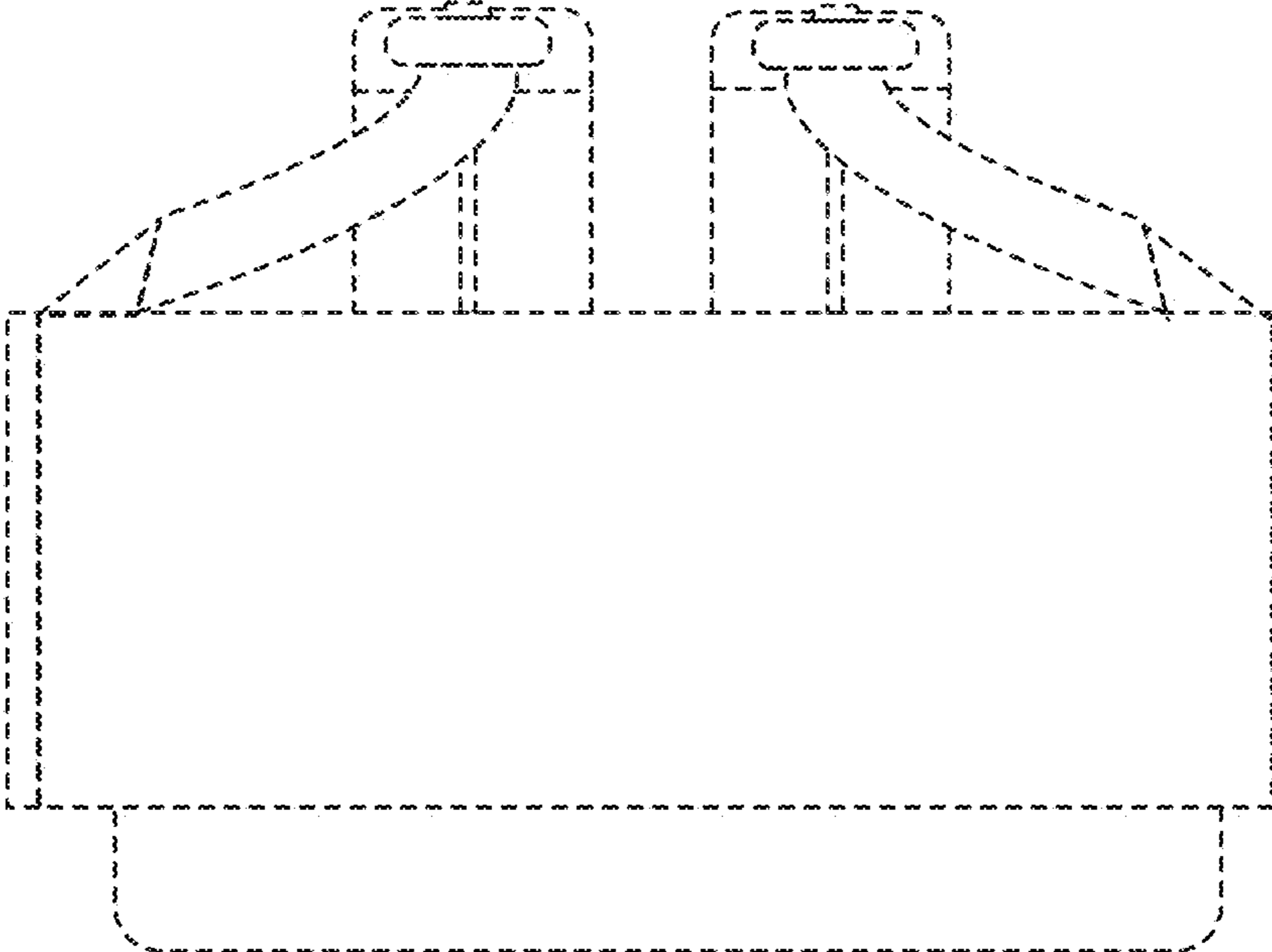


FIG. 7

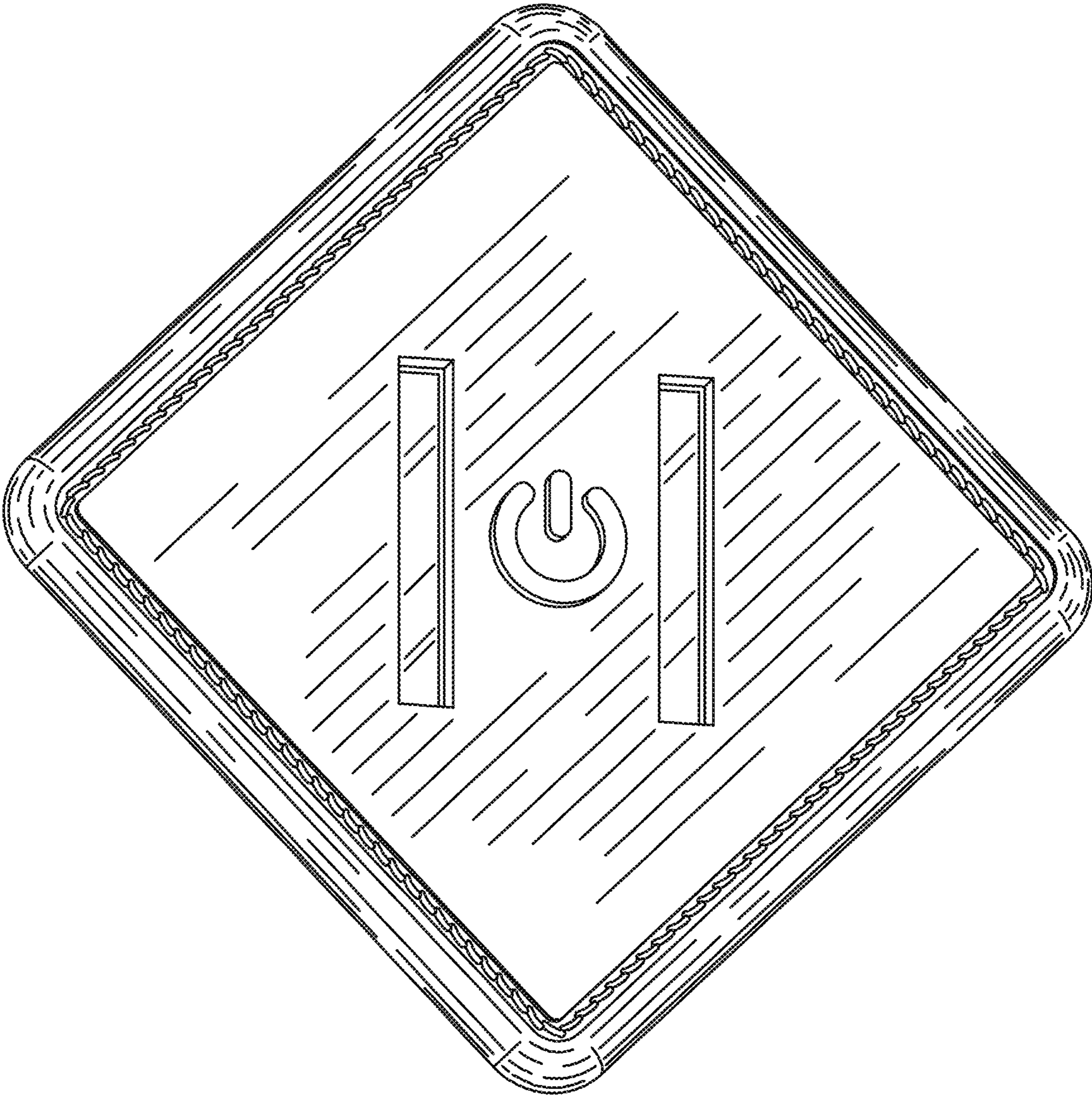


FIG. 8

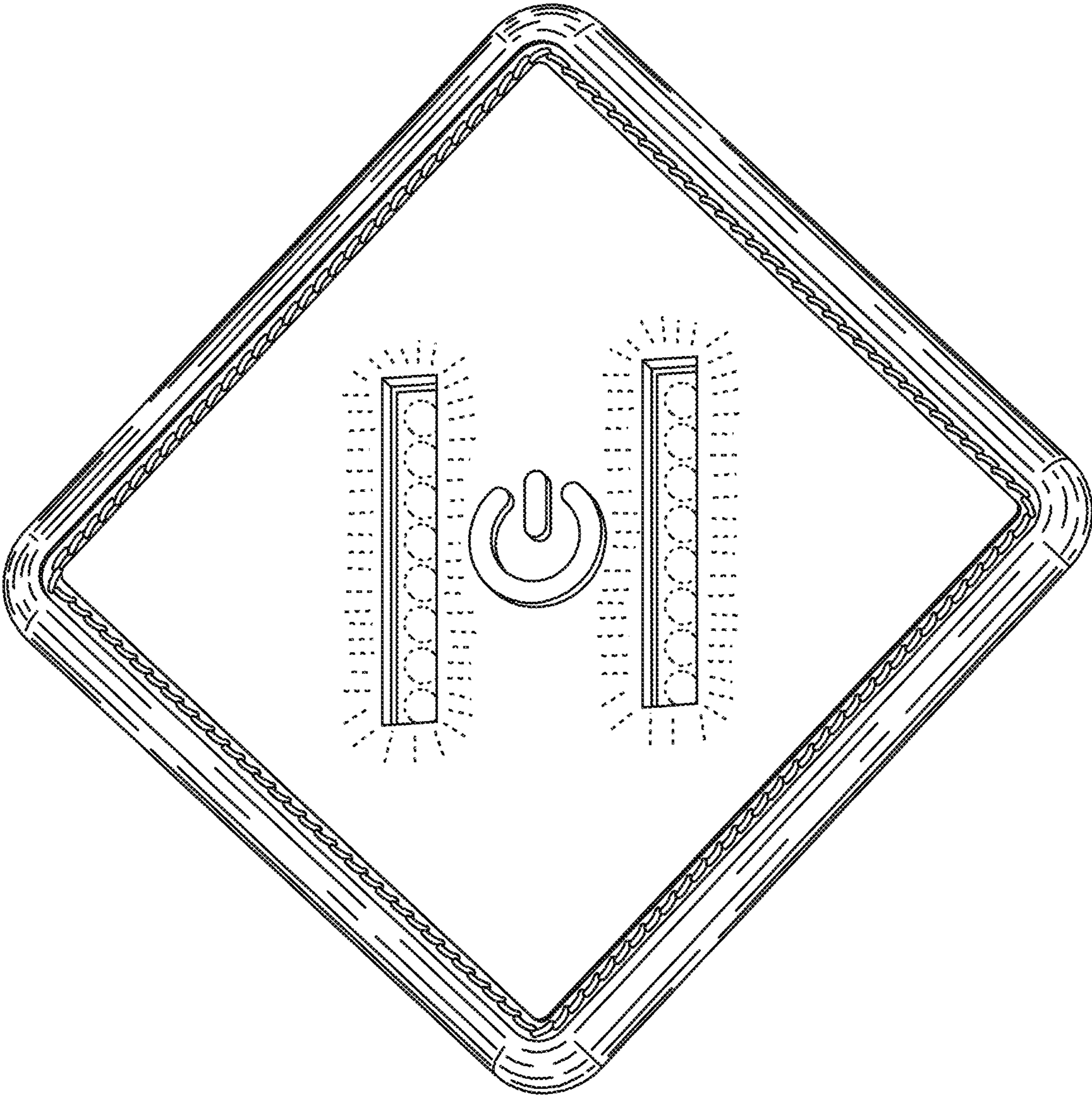


FIG. 9