



US00D903322S

(12) **United States Design Patent** (10) **Patent No.:** **US D903,322 S**
Zhang (45) **Date of Patent:** **** Dec. 1, 2020**

(54) **STORAGE BIN**
(71) Applicant: **Chaozhou Chao'an District Jinshi Town Baoying Stainless Steel Products Factory, Chaozhou (CN)**
(72) Inventor: **Yipeng Zhang, Guangdong (CN)**
(**) Term: **15 Years**
(21) Appl. No.: **29/741,028**
(22) Filed: **Jul. 9, 2020**
(51) **LOC (12) Cl.** **03-01**
(52) **U.S. Cl.**
USPC **D3/304**
(58) **Field of Classification Search**
USPC D6/512, 672-674, 675, 682-682.1;
D7/601-602; D3/304-315
CPC . B65D 1/00; B65D 1/22; B65D 11/00; B65D
11/20; A47G 23/04; A47J 43/00; A47J
47/14
See application file for complete search history.

D475,854 S * 6/2003 Caponey D3/314
D530,918 S * 10/2006 Snell D3/304
D540,039 S * 4/2007 van Beuningen D3/304
D596,857 S * 7/2009 Ahlgrim D3/307
D602,255 S 10/2009 Ahlgrim et al.
D614,949 S * 5/2010 Schmidt D9/424
D639,154 S * 6/2011 Chen D9/424
D756,652 S * 5/2016 Reinhart D3/314
D803,675 S * 11/2017 Middleton D9/424
D805,776 S * 12/2017 Shamp D3/304
D832,577 S * 11/2018 Ogilvie D3/304
D896,522 S * 9/2020 Noto D3/304
2020/0307862 A1* 10/2020 Green B65D 25/205

* cited by examiner

Primary Examiner — Kelley A Donnelly
(74) *Attorney, Agent, or Firm* — ZANIP

(57) **CLAIM**

The ornamental design for a storage bin, as shown and described.

DESCRIPTION

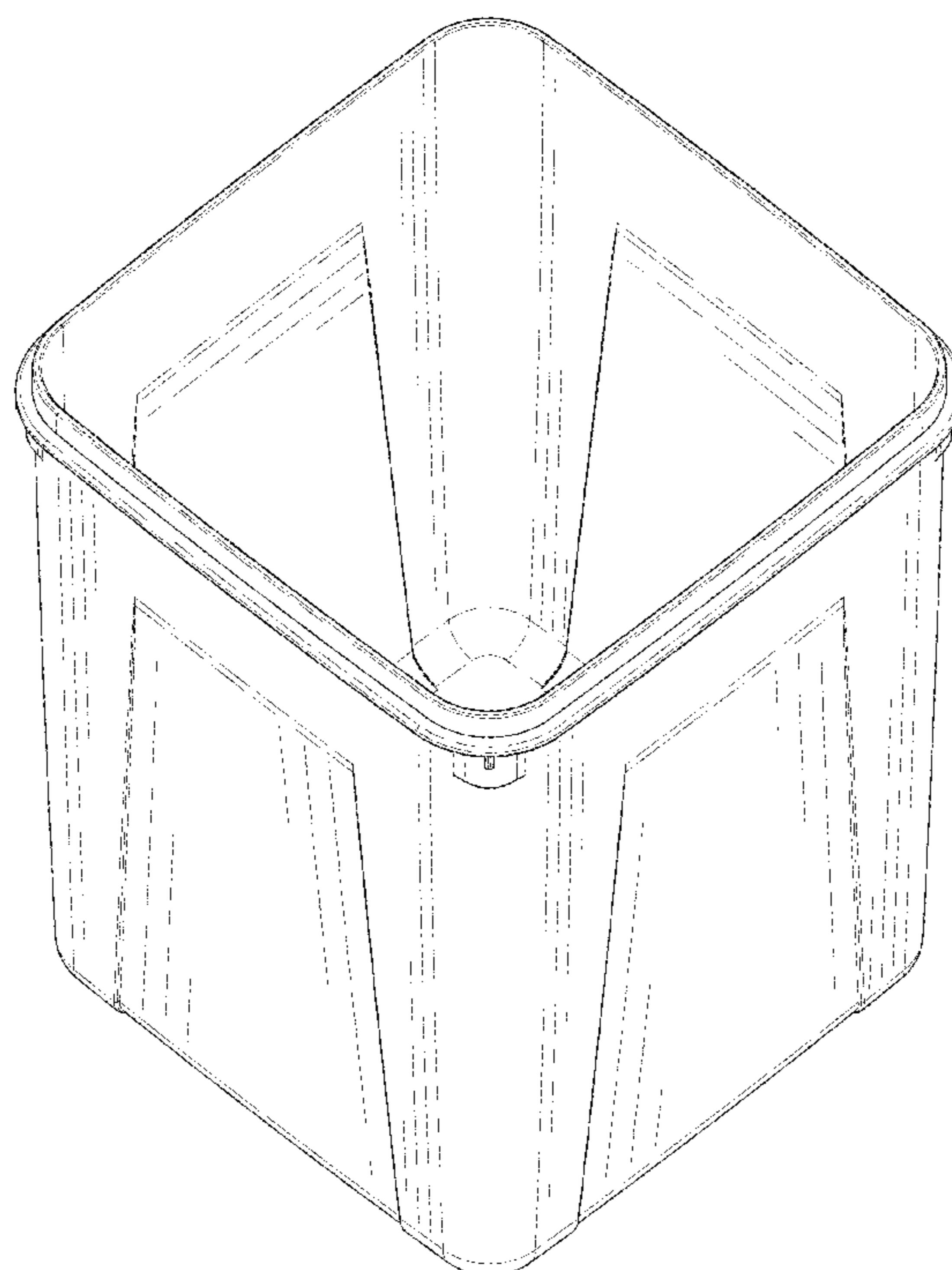
FIG. 1 is a front and top perspective view of a storage bin, showing my new design;
FIG. 2 is a rear and bottom perspective view thereof;
FIG. 3 is a front elevational view thereof;
FIG. 4 is a rear elevational view thereof;
FIG. 5 is a left side elevational view thereof;
FIG. 6 is a right side elevational view thereof;
FIG. 7 is a top plan view thereof; and,
FIG. 8 is a bottom plan view thereof.
The broken lines in the figures illustrate portions of the article that form no part of the claimed design.

1 Claim, 8 Drawing Sheets

(56) **References Cited**

U.S. PATENT DOCUMENTS

3,421,656 A * 1/1969 Asenbauer B65D 21/062
206/506
D235,621 S * 7/1975 Cawrse D9/425
D246,872 S * 1/1978 White D3/304
D248,278 S * 6/1978 Holden, Jr. D9/424
D251,480 S * 4/1979 Cherry D3/314
D268,622 S * 4/1983 Wolters D19/92
D326,345 S * 5/1992 Mandell D3/312
D360,898 S * 8/1995 Huerto D19/75
D404,571 S * 1/1999 Evans D3/312



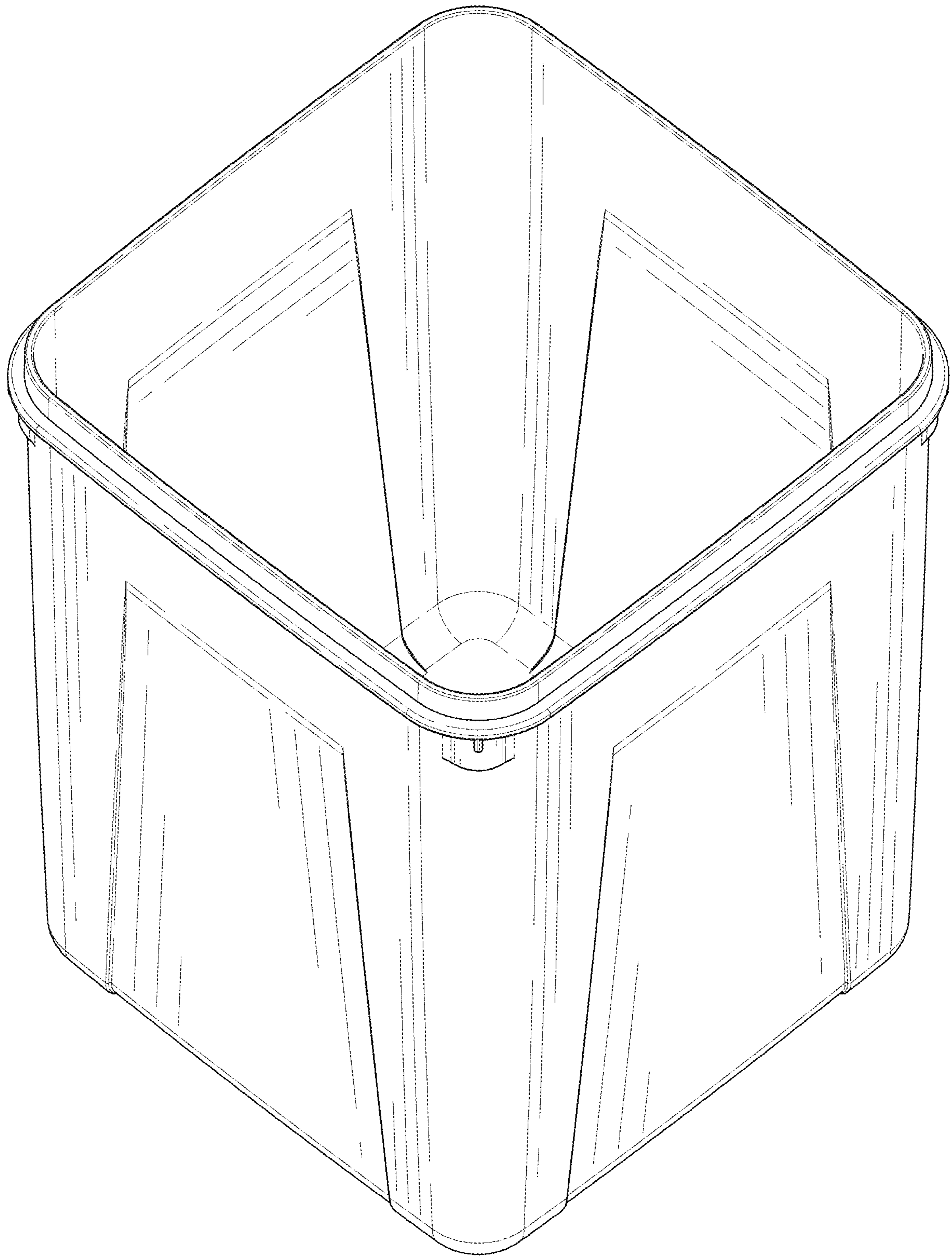


FIG. 1

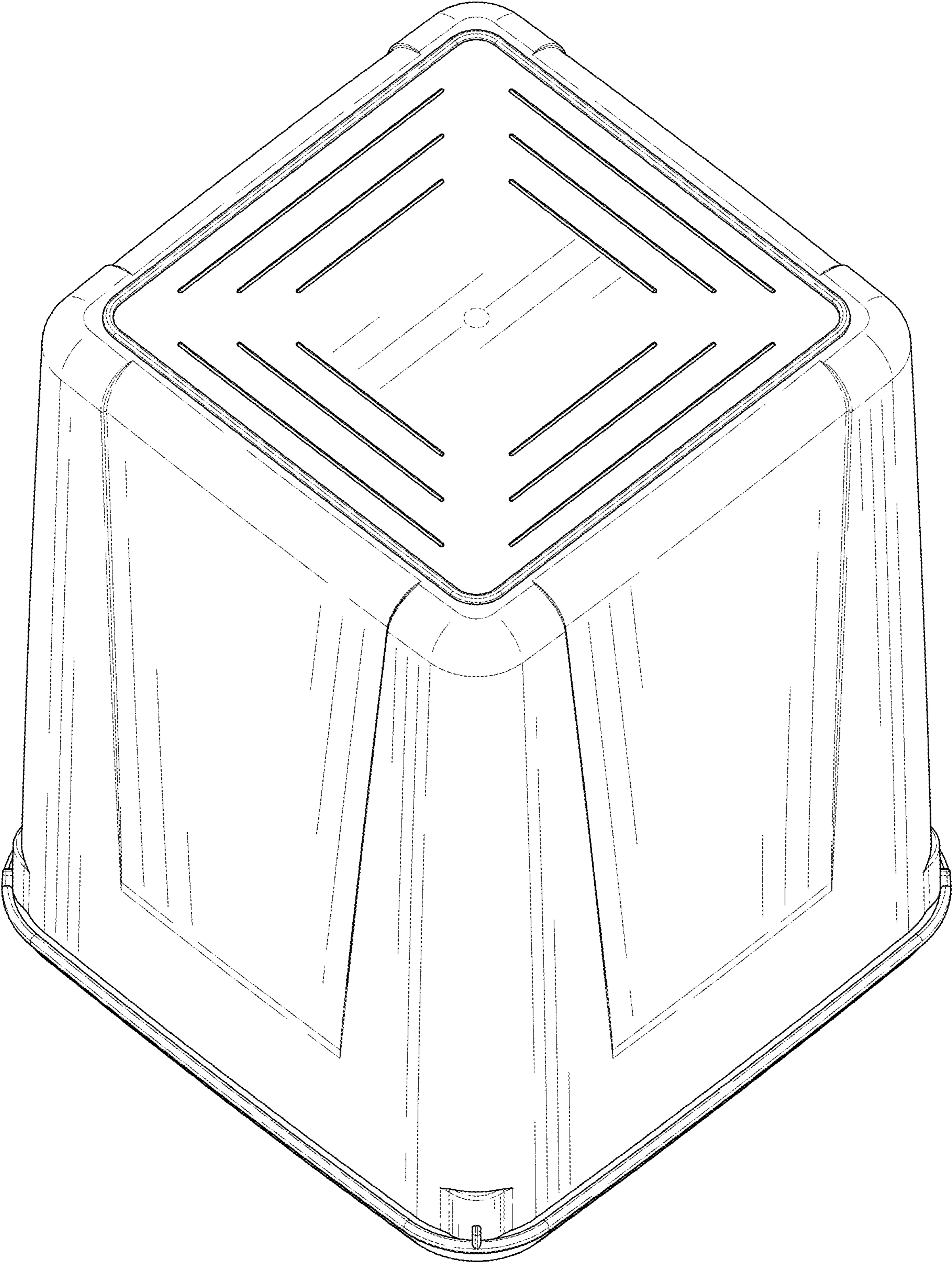


FIG. 2

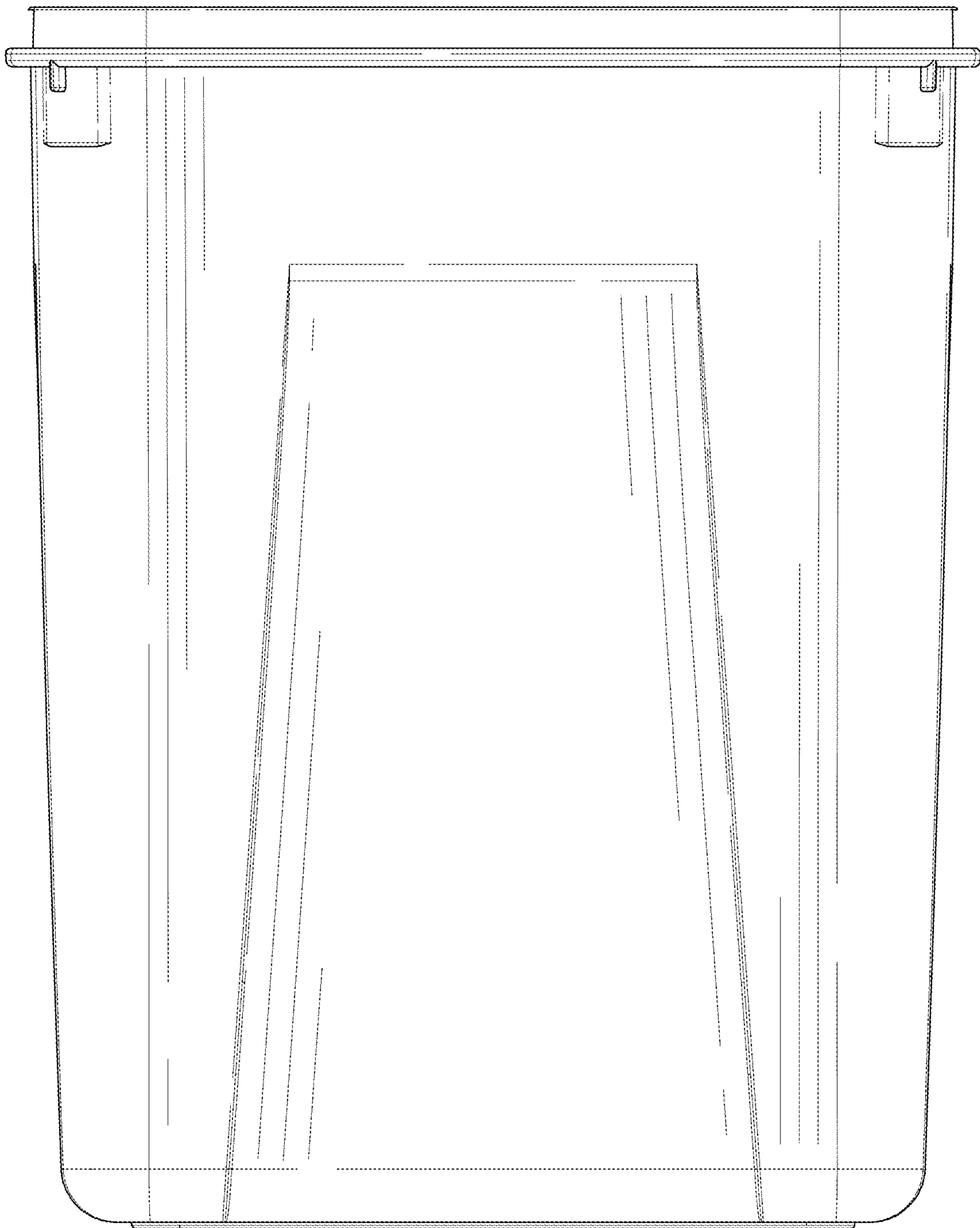


FIG. 3

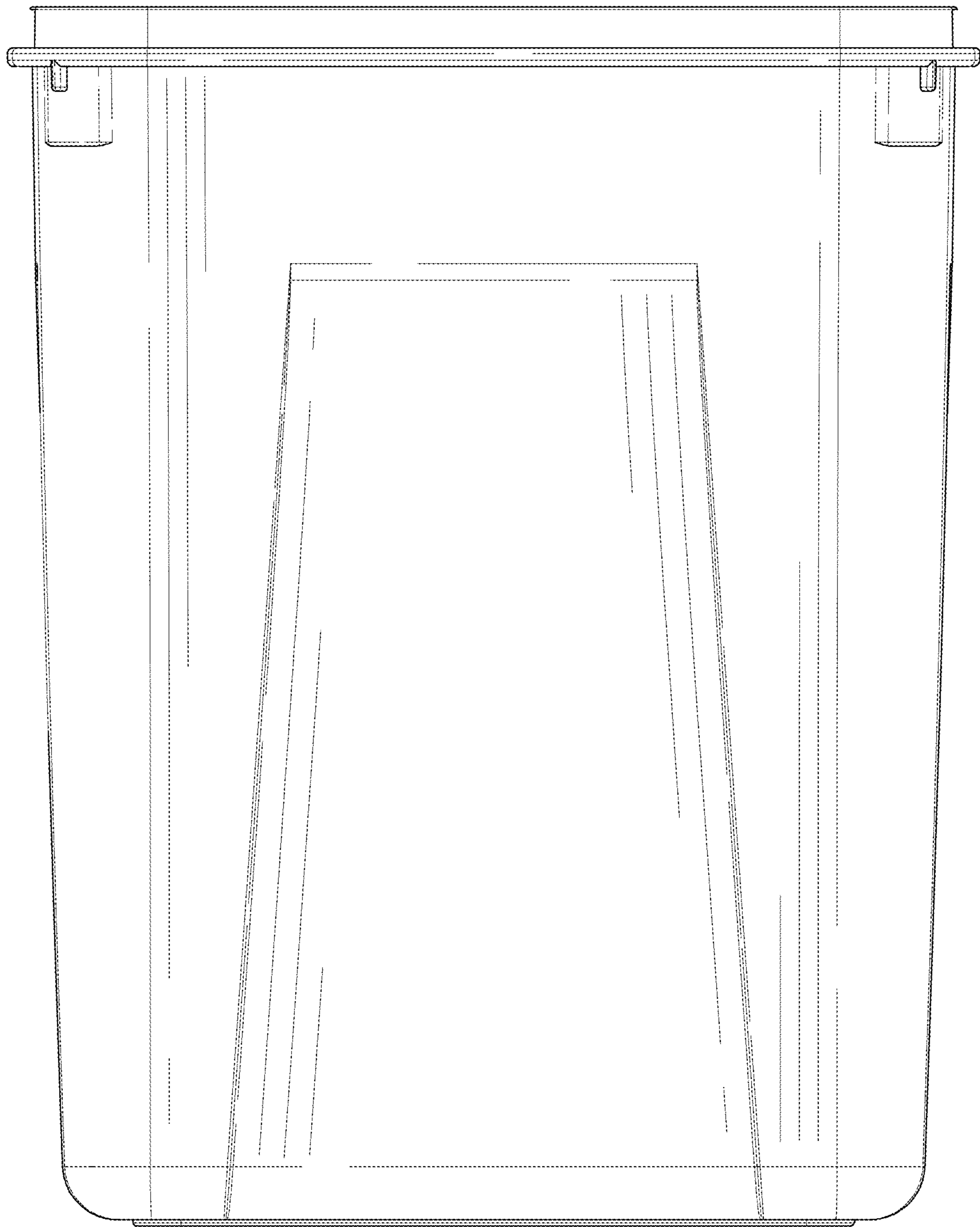


FIG. 4

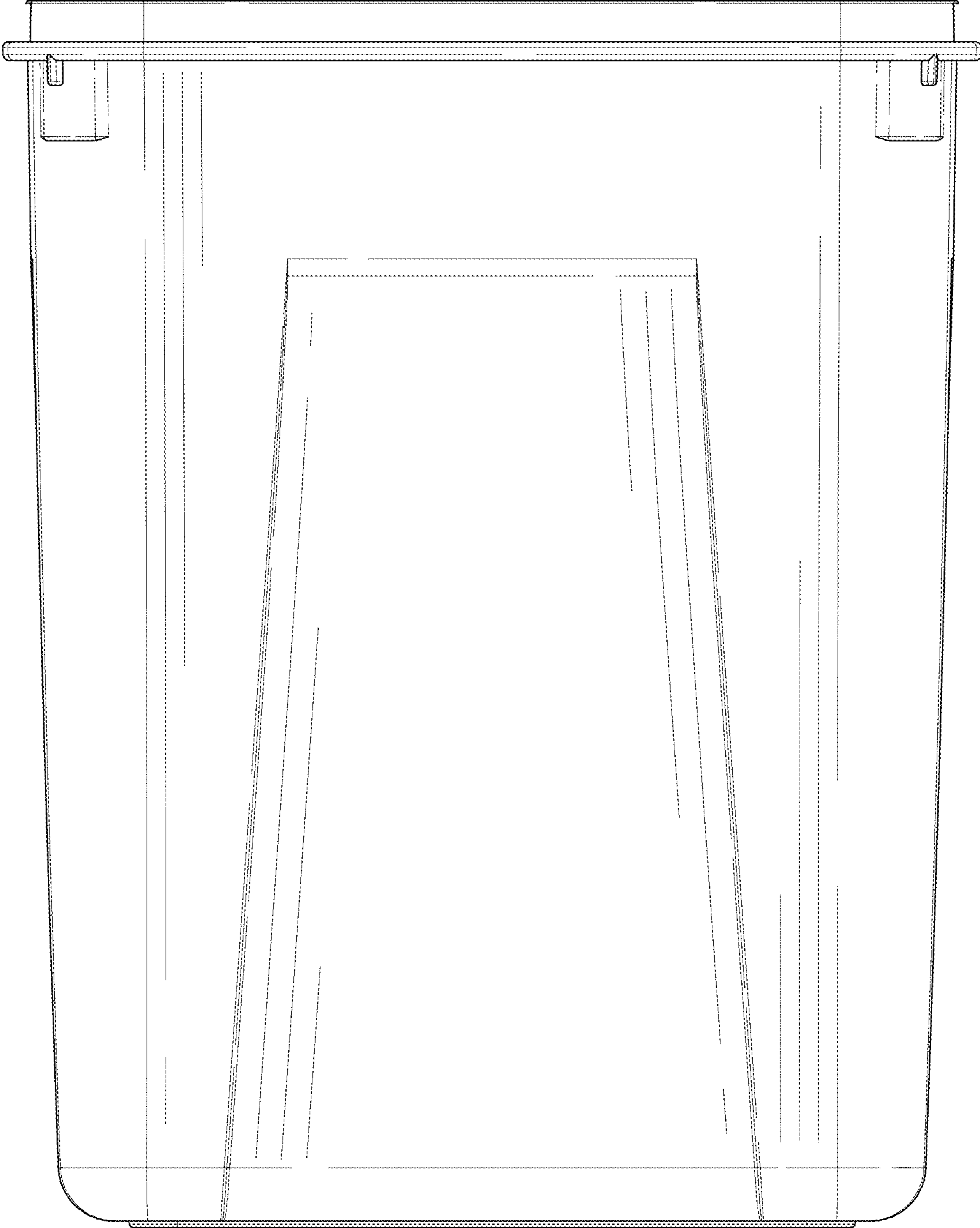


FIG. 5

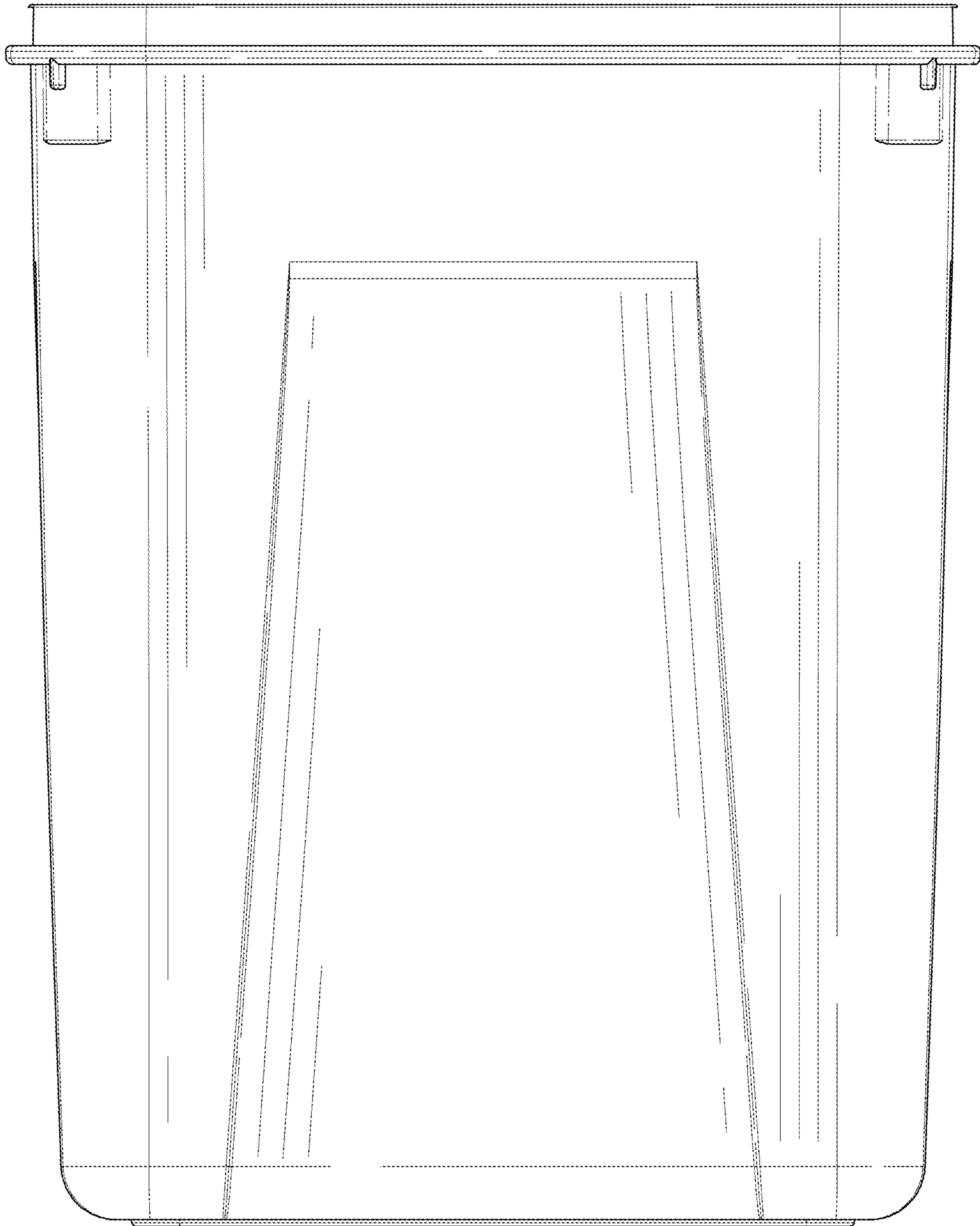


FIG. 6

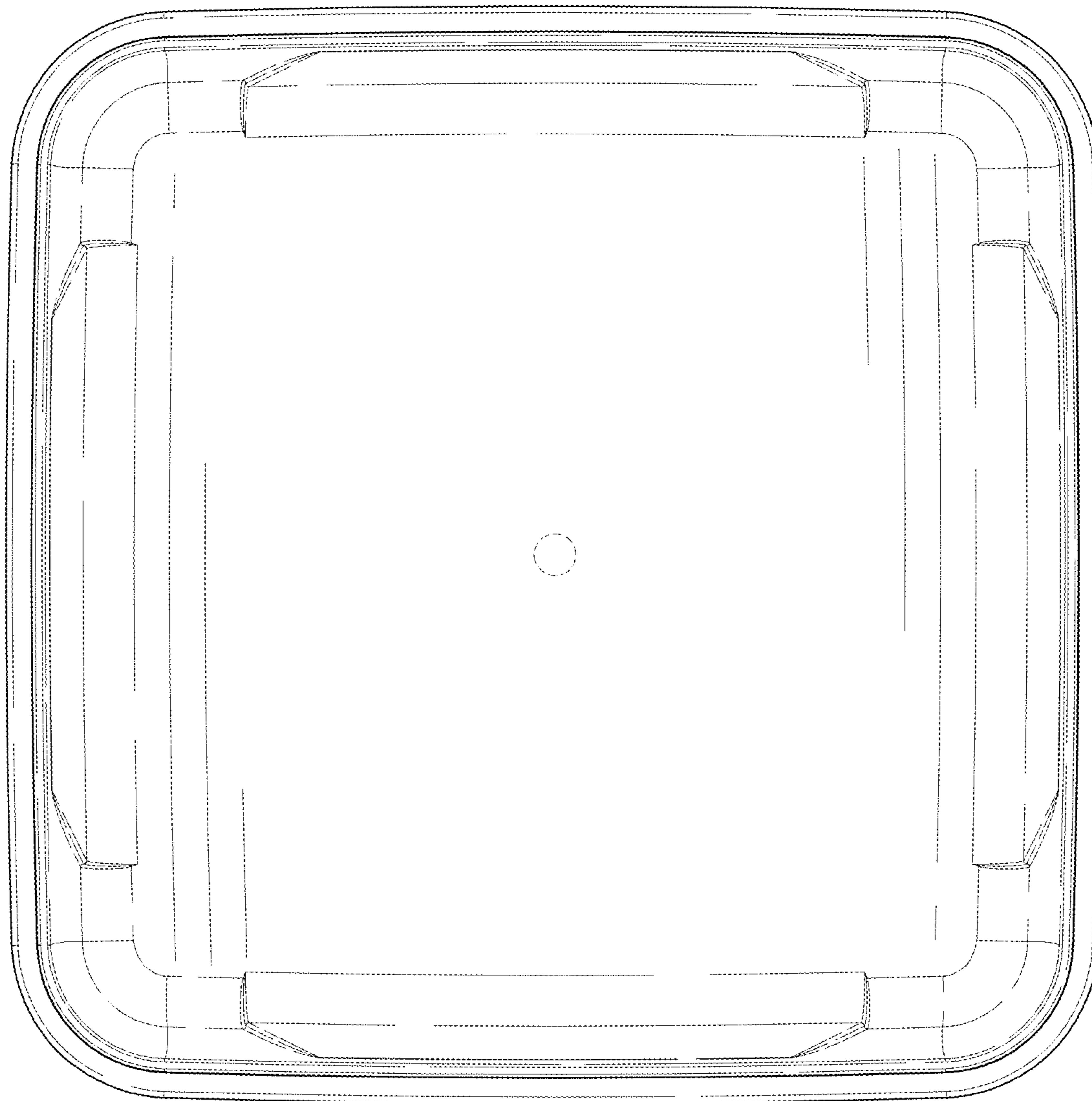


FIG. 7

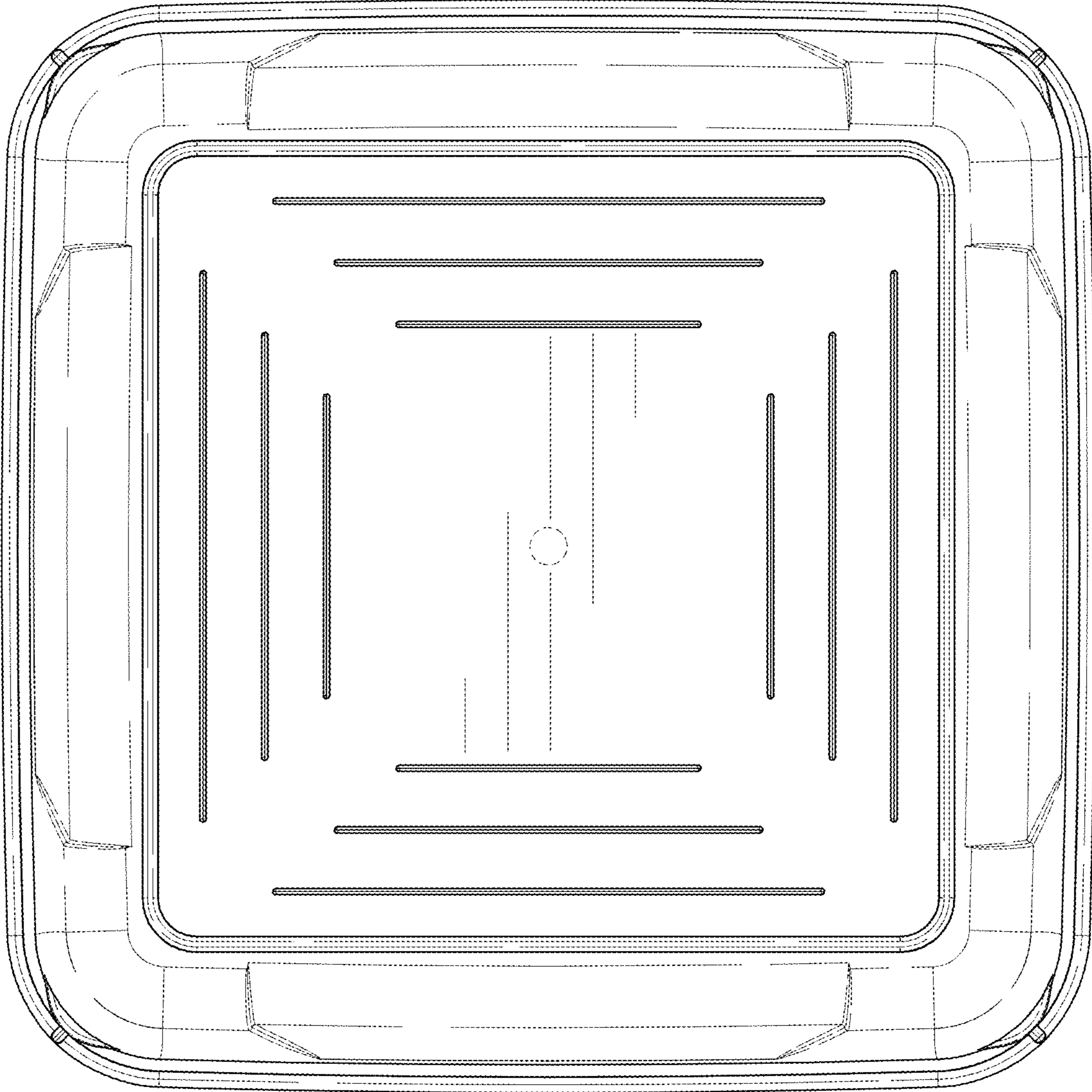


FIG. 8