



US00D903320S

(12) **United States Design Patent** (10) **Patent No.:** **US D903,320 S**
Lee (45) **Date of Patent:** **** Dec. 1, 2020**

(54) **COVER FOR ELECTRONIC DEVICE**
(71) Applicant: **elago CO. LTD**, Goyang-si (KR)
(72) Inventor: **Chanwoo Lee**, Goyang-si (KR)
(73) Assignee: **elago CO. LTD**, Goyang-si (KR)
(**) Term: **15 Years**

D881,181 S * 4/2020 Wright D14/250
D881,572 S * 4/2020 Wang D3/294
D882,259 S 4/2020 Liu
D882,262 S 4/2020 Zhang
D883,296 S * 5/2020 Lee D14/440
D886,445 S * 6/2020 Hyun D3/201
D886,453 S * 6/2020 Wright D3/294
D888,041 S * 6/2020 Wright D14/250
D888,408 S * 6/2020 Lee D3/201
D890,765 S * 7/2020 Lee D14/440
D891,434 S * 7/2020 Lee D14/440

(Continued)

(21) Appl. No.: **29/735,474**

(22) Filed: **May 21, 2020**

FOREIGN PATENT DOCUMENTS

(51) **LOC (12) Cl.** **03-01**
(52) **U.S. Cl.**
USPC **D3/302**

CN 305252674 7/2019
CN 305294285 8/2019

(Continued)

(58) **Field of Classification Search**
USPC D3/272, 273, 274, 276-284, 291, 294,
D3/295, 298, 302, 304, 307-309, 315,
D3/314, 310, 312, 901, 903, 905
CPC .. A45C 5/00; A45C 5/04; A45C 11/00; A45C
11/16; B62B 2206/006; B65D 1/02;
B65D 1/22; B65D 2543/00194; B65D
21/0209; B65D 2543/00296
See application file for complete search history.

Primary Examiner — Holly E Thurman
(74) *Attorney, Agent, or Firm* — Paratus Law Group,
PLLC

(57) **CLAIM**

The ornamental design for a cover for electronic device, as shown and described.

(56) **References Cited**

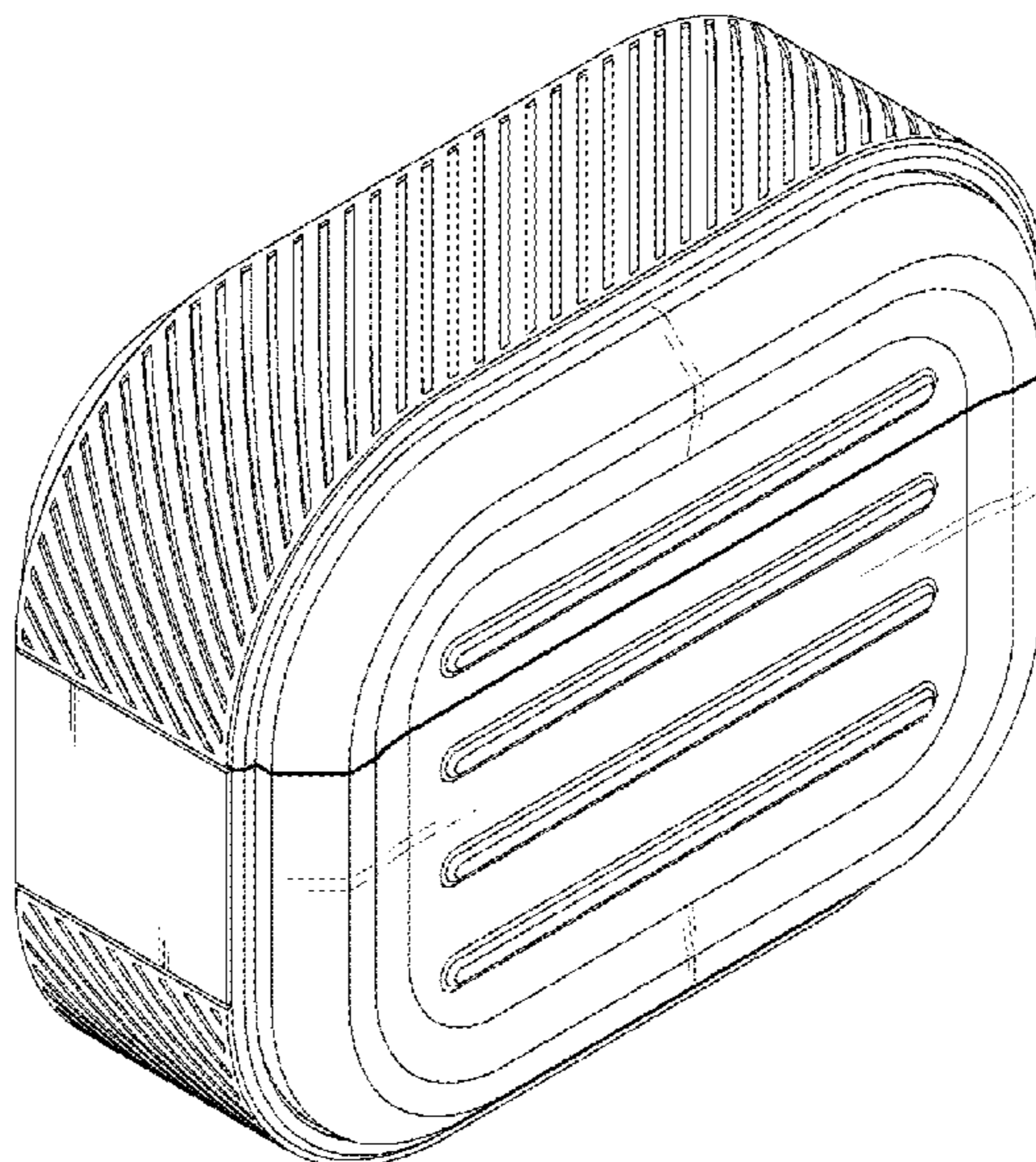
DESCRIPTION

U.S. PATENT DOCUMENTS

D586,557 S * 2/2009 Jalet D3/294
D672,642 S * 12/2012 Supranowicz D9/420
D673,366 S * 1/2013 Schumann D3/294
D775,818 S 1/2017 Ingraham
D794,955 S * 8/2017 Paterson D3/294
D806,388 S * 1/2018 Akana D3/294
D818,268 S * 5/2018 Akana D3/294
D839,583 S 2/2019 Cao
D846,264 S 4/2019 Wu
D851,913 S * 6/2019 Yu D3/201
D864,971 S * 10/2019 Lee D14/440
D868,453 S 12/2019 Lee et al.
D869,161 S * 12/2019 Zhong D3/294
D872,094 S * 1/2020 Wright D14/440

FIG. 1 is a front, top, and left sides perspective view of a cover for electronic device, showing my new design;
FIG. 2 is a front view thereof;
FIG. 3 is a back view thereof;
FIG. 4 is a left-side view thereof;
FIG. 5 is a right-side view thereof;
FIG. 6 is a top view thereof;
FIG. 7 is a bottom view thereof;
FIG. 8 is a front, bottom, and left sides perspective view thereof; and,
FIG. 9 is a rear, bottom, and right sides perspective view thereof.

1 Claim, 7 Drawing Sheets



(56)

References Cited

U.S. PATENT DOCUMENTS

D891,771 S *	8/2020	Lee	D3/269
D891,774 S *	8/2020	Yu	D3/294
D892,497 S *	8/2020	Wright	D3/294
D892,498 S *	8/2020	Wright	D3/294
D892,499 S *	8/2020	Wright	D3/303
D893,166 S *	8/2020	Lu	D3/201

FOREIGN PATENT DOCUMENTS

CN	305547740	1/2020
CN	305748198	5/2020
CN	305748249	5/2020
CN	305753751	5/2020
CN	305784128	5/2020
CN	305784129	5/2020
CN	305784130	5/2020
CN	305784196	5/2020
CN	305790256	5/2020
CN	305790318	5/2020
CN	305796858	5/2020

* cited by examiner

FIG. 1

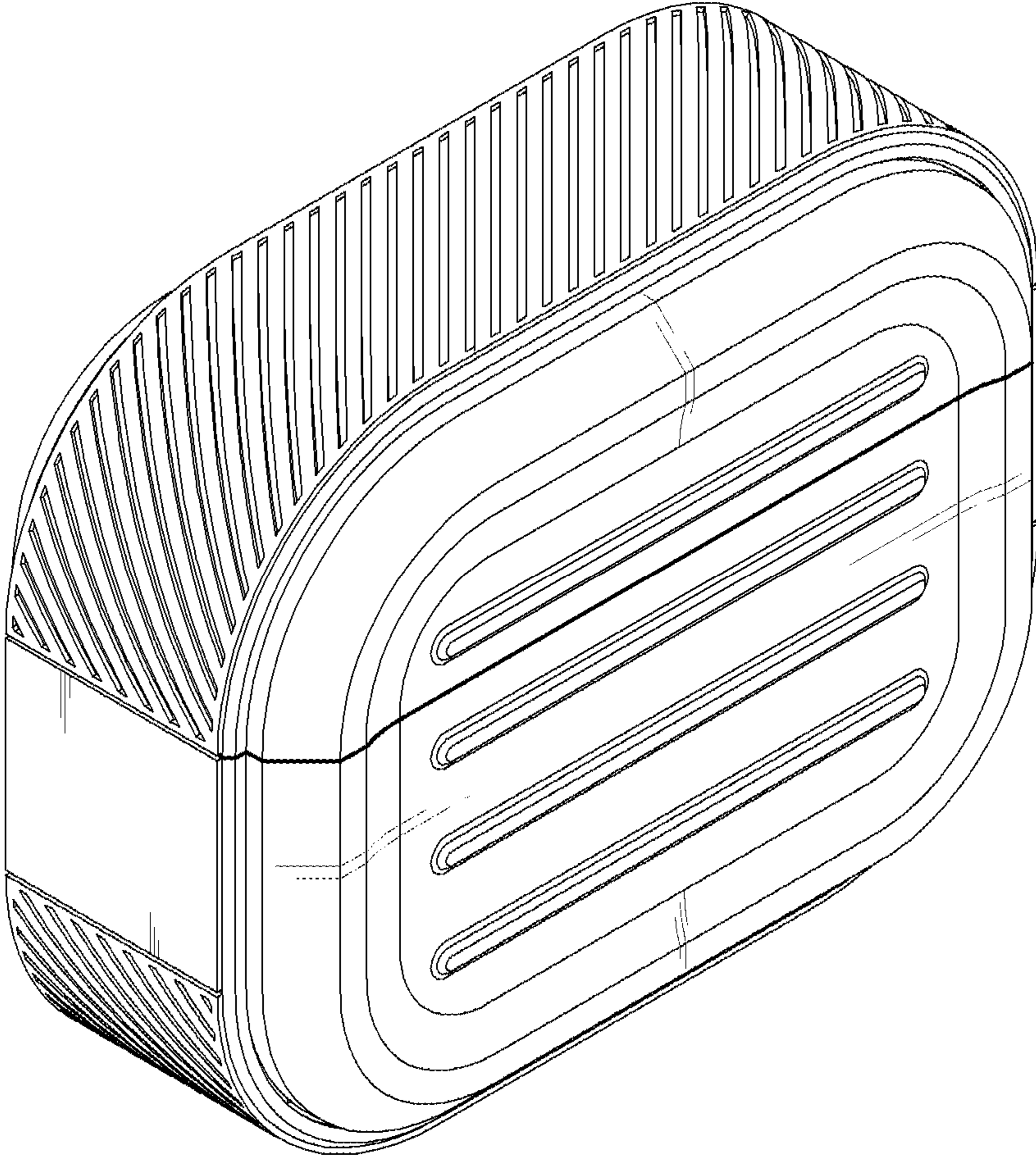


FIG. 2

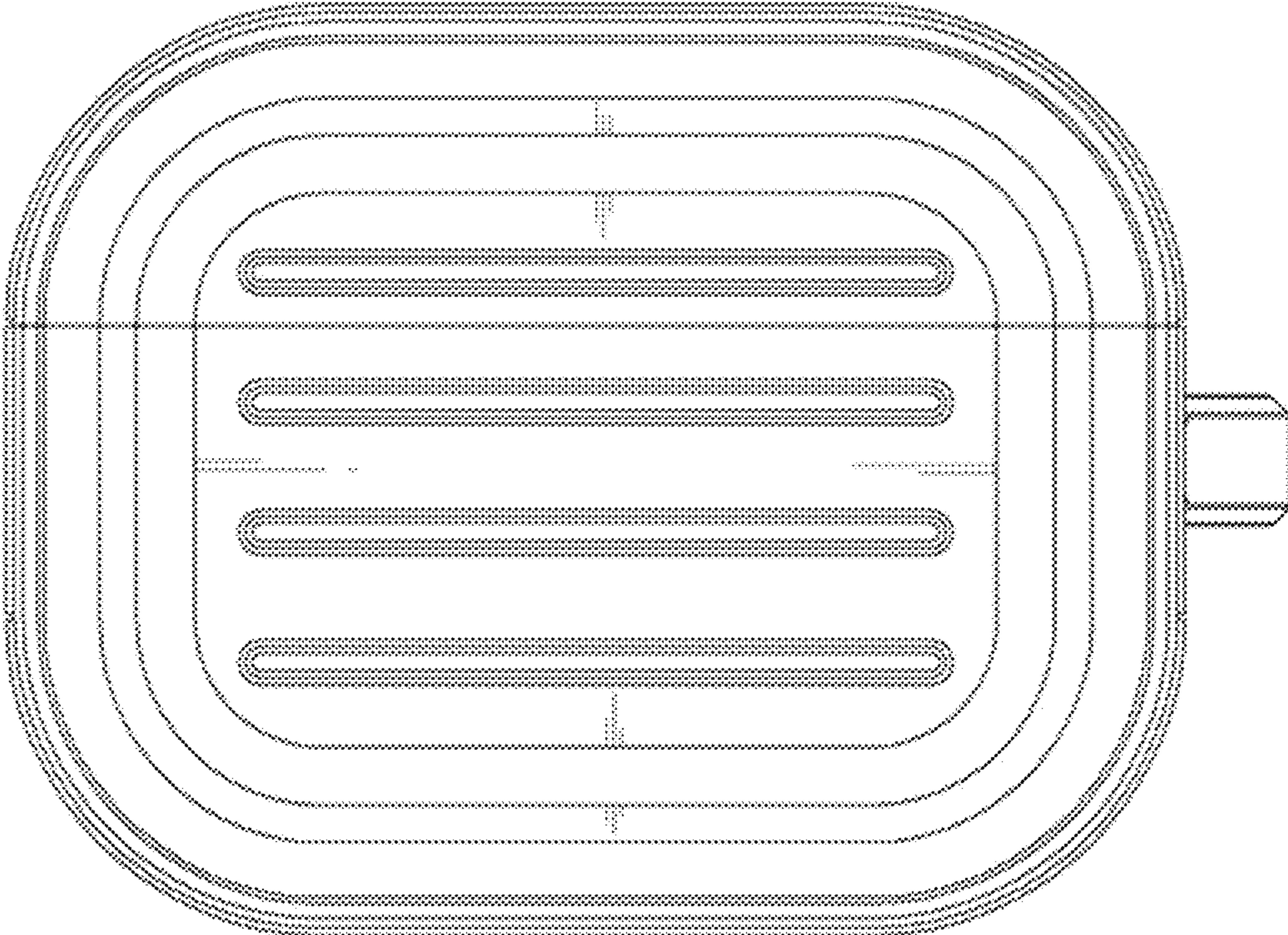


FIG. 3

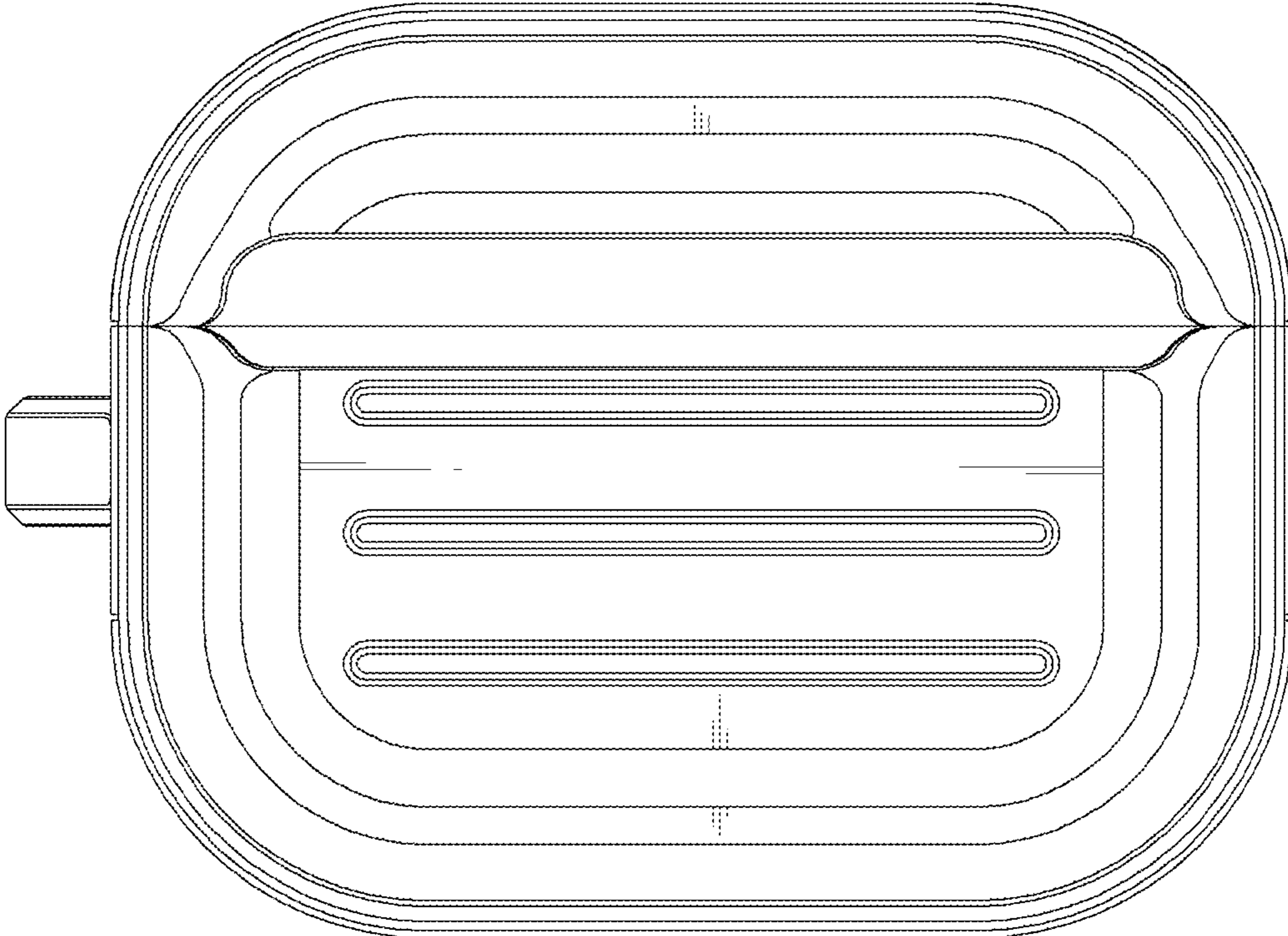


FIG. 4

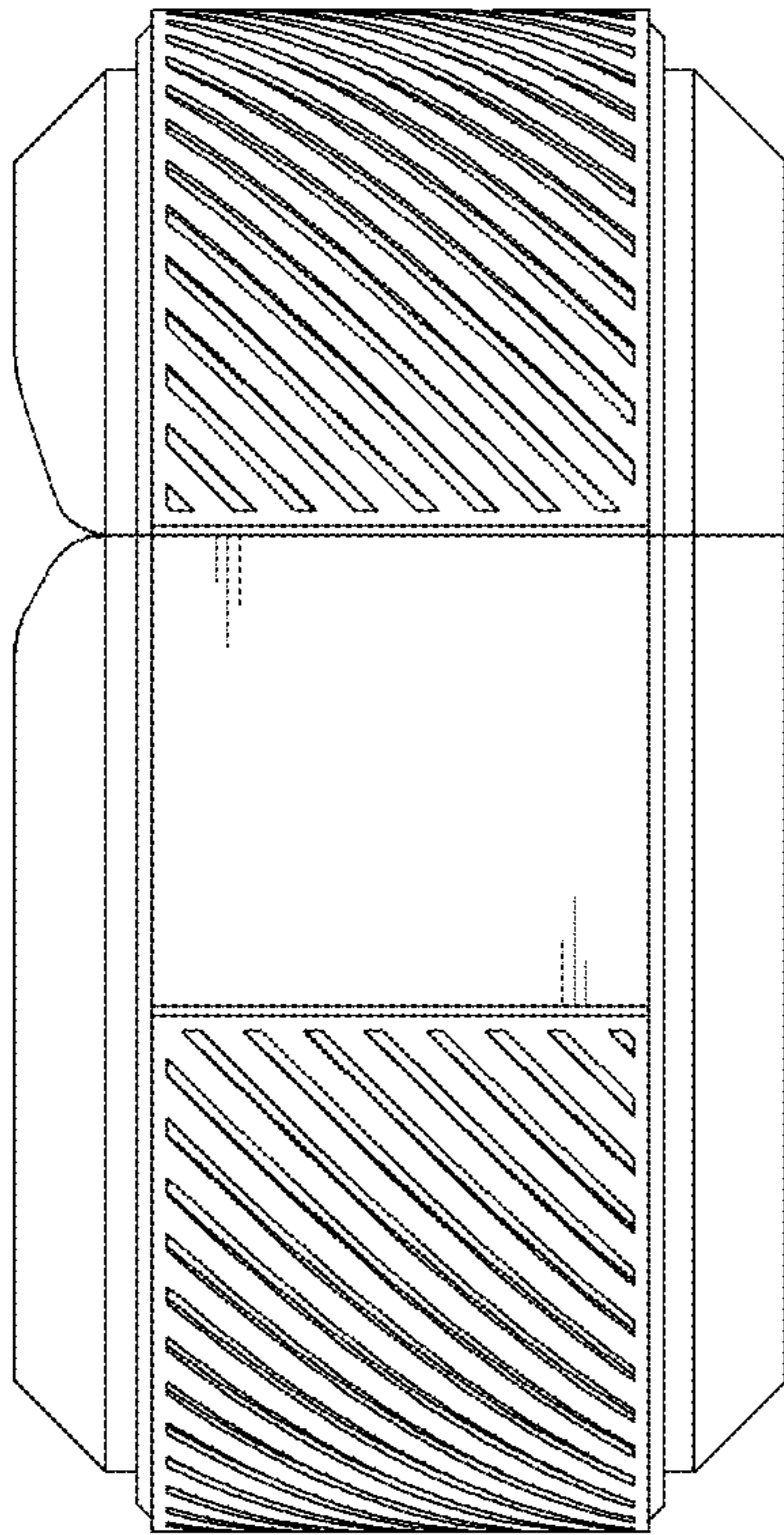


FIG. 5

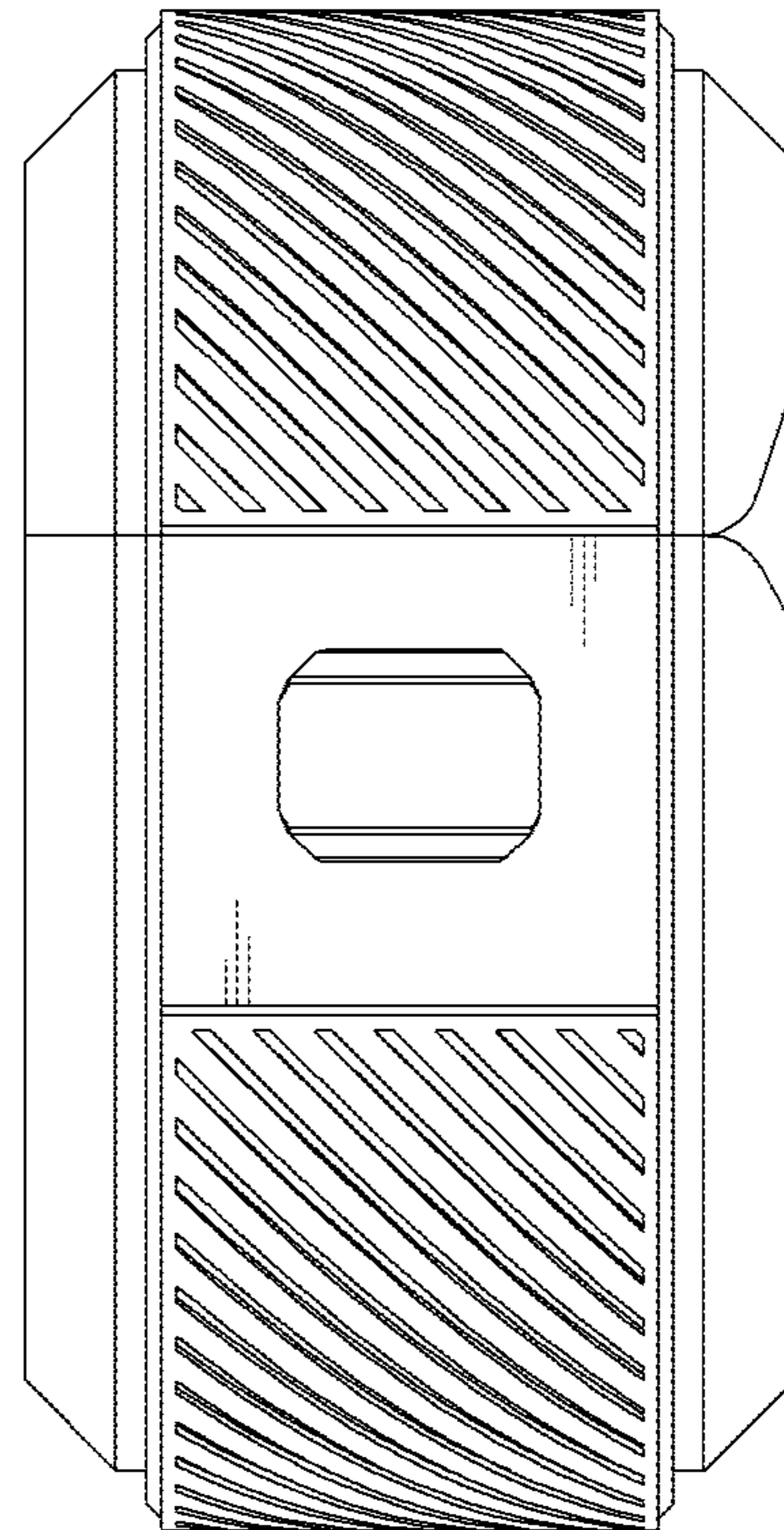


FIG. 6

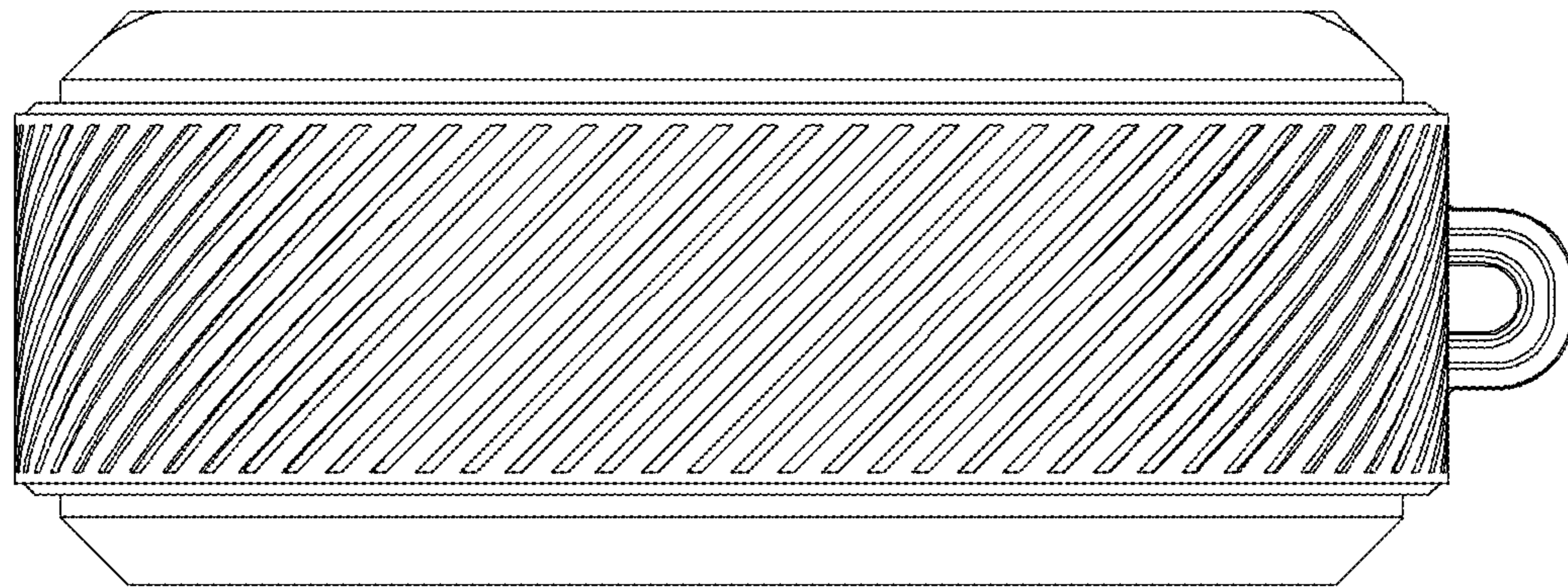


FIG. 7

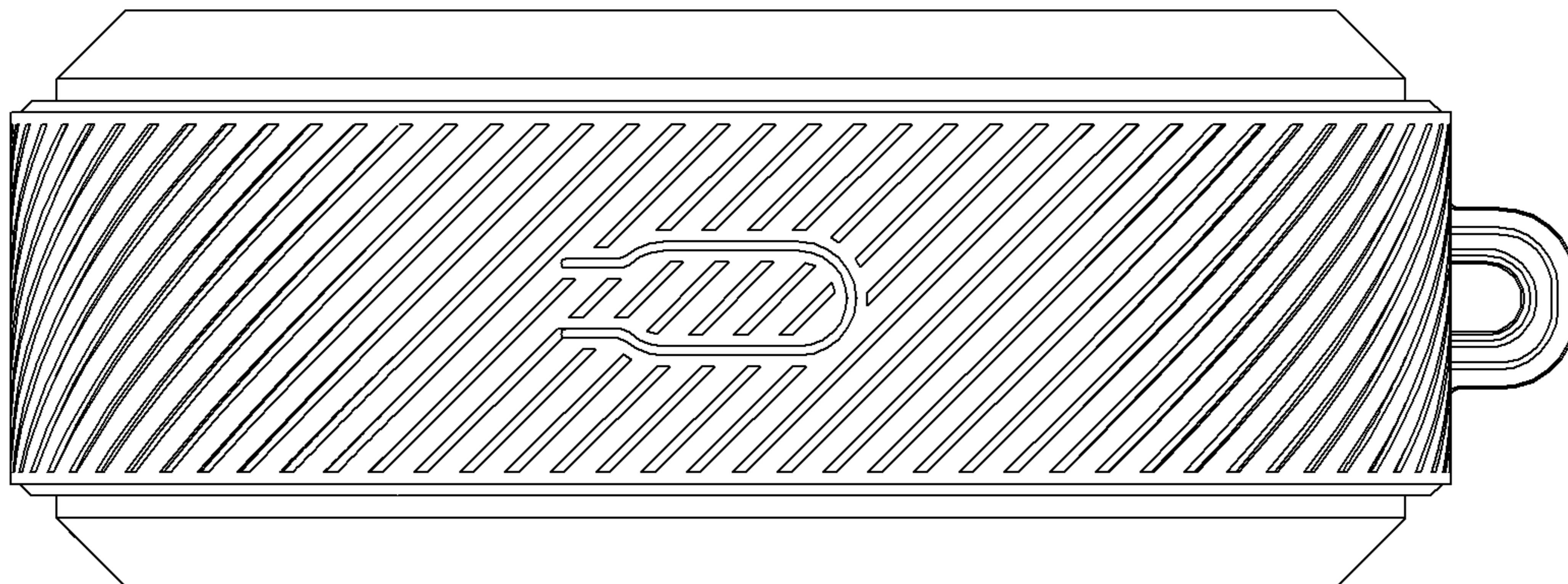


FIG. 8

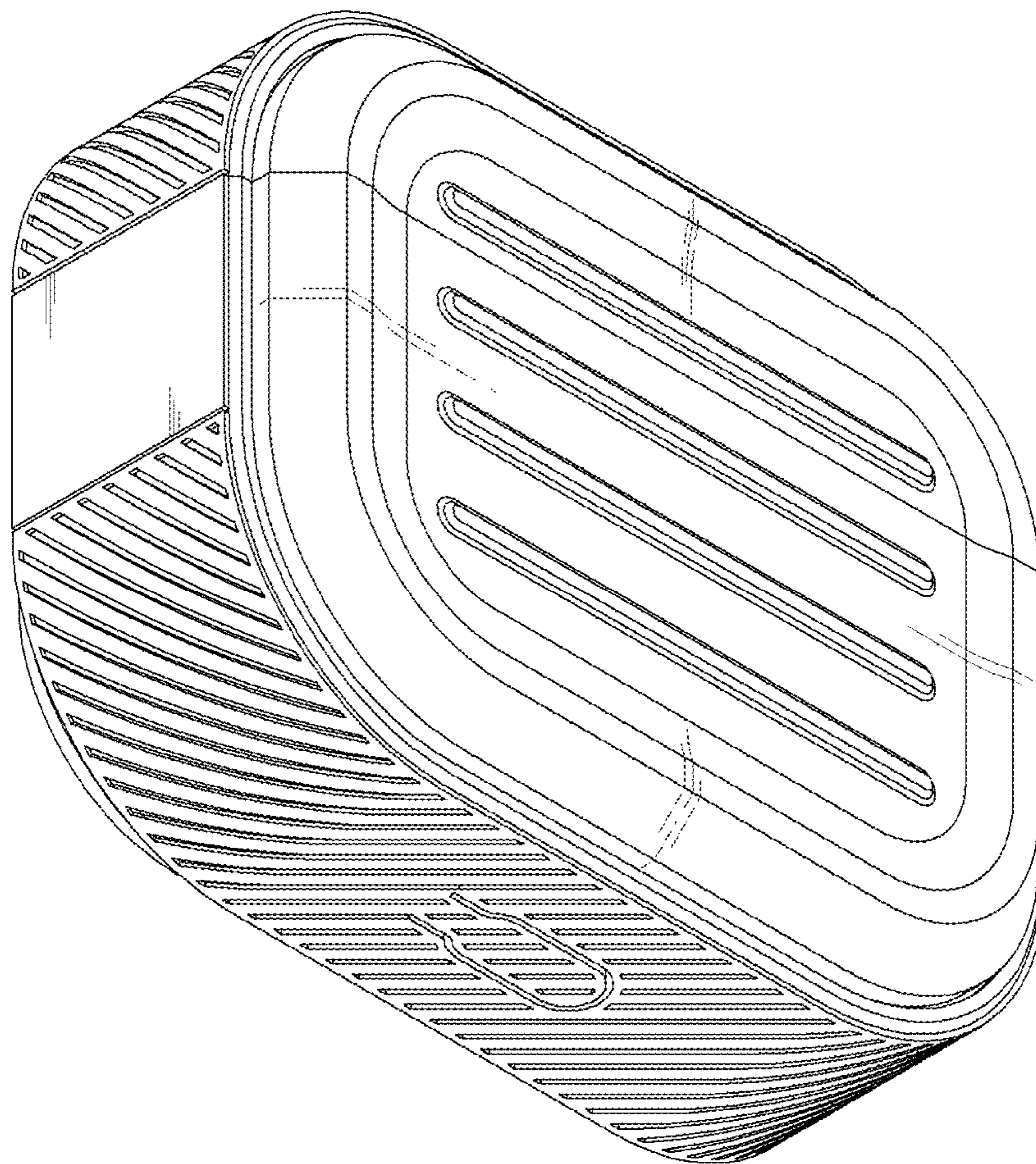


FIG. 9

