



US00D903319S

(12) **United States Design Patent** (10) **Patent No.:** **US D903,319 S**
Zhu (45) **Date of Patent:** **** Dec. 1, 2020**

(54) **CASE**

(71) Applicant: **Dengfeng Zhu**, Hunan (CN)

(72) Inventor: **Dengfeng Zhu**, Hunan (CN)

(**) Term: **15 Years**

(21) Appl. No.: **29/734,155**

(22) Filed: **May 8, 2020**

(51) **LOC (12) Cl.** **03-01**

(52) **U.S. Cl.**
 USPC **D3/287**; D3/289

(58) **Field of Classification Search**
 USPC D3/272, 273, 279, 289, 321, 902, 283,
 D3/287
 CPC A45C 5/03; A45C 3/00; A45C 2003/007
 See application file for complete search history.

D401,062 S * 11/1998 Hauschild D3/287
 D474,649 S * 5/2003 Spence, Jr. D3/283
 D526,484 S * 8/2006 Flint D3/283
 D573,422 S * 7/2008 Tagliati D3/287
 D881,577 S 4/2020 Gibson et al.
 D888,425 S * 6/2020 Wang D3/287
 2002/0148741 A1 * 10/2002 Stobbs A45C 3/00
 206/112

* cited by examiner

Primary Examiner — April Rivas
 (74) *Attorney, Agent, or Firm* — Justin Lampel

(57) **CLAIM**

The ornamental design for a case, as shown and described.

DESCRIPTION

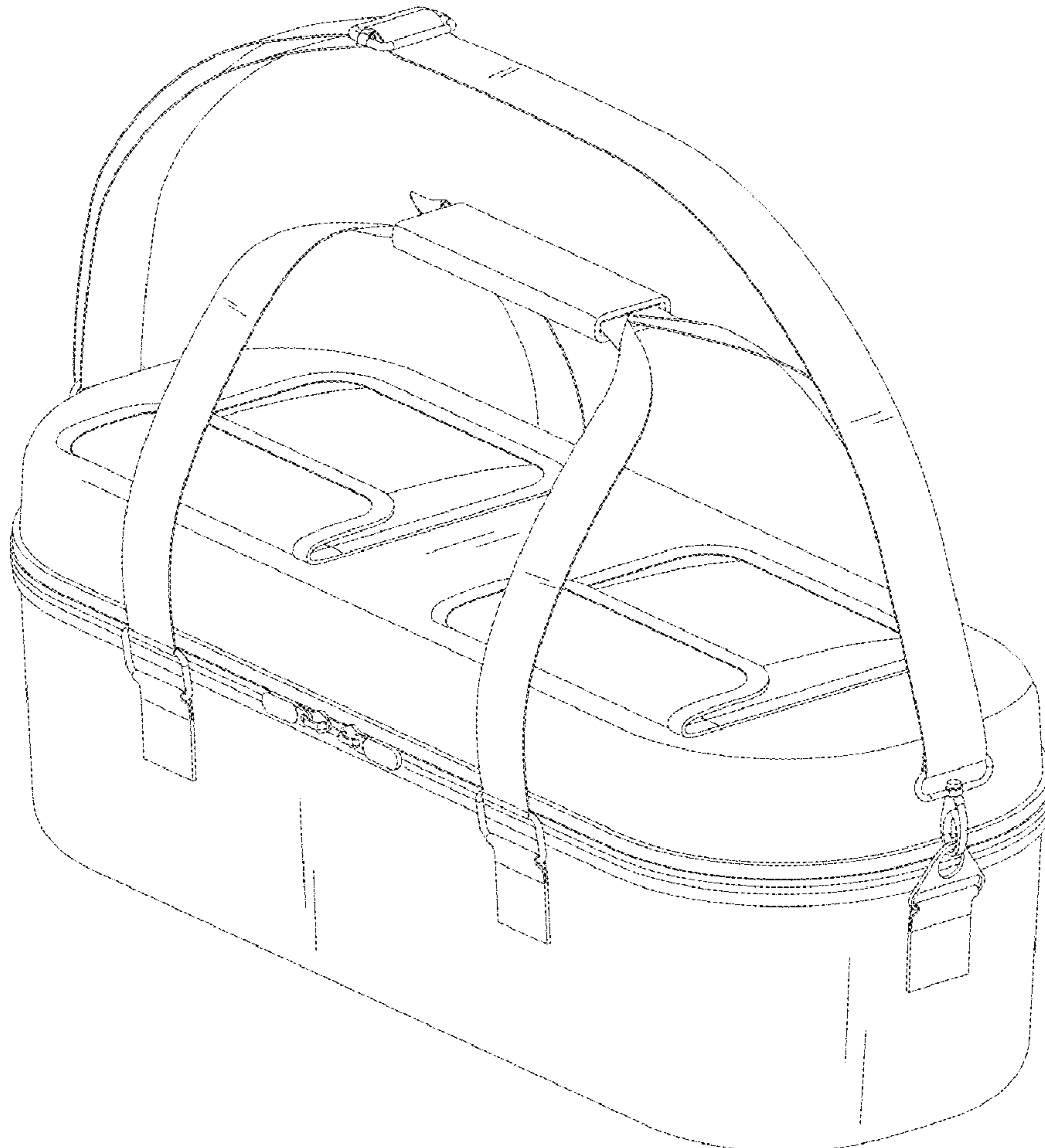
FIG. 1 is a perspective view of a case, showing the claimed design;
 FIG. 2 is a top plan view thereof;
 FIG. 3 is a left side view thereof;
 FIG. 4 is a front elevational view thereof;
 FIG. 5 is a right side view thereof;
 FIG. 6 is a rear elevational view thereof; and,
 FIG. 7 is a bottom plan view thereof.

1 Claim, 7 Drawing Sheets

(56) **References Cited**

U.S. PATENT DOCUMENTS

D285,748 S * 9/1986 Feinberg 190/103
 5,413,199 A * 5/1995 Clement A45C 3/00
 150/111



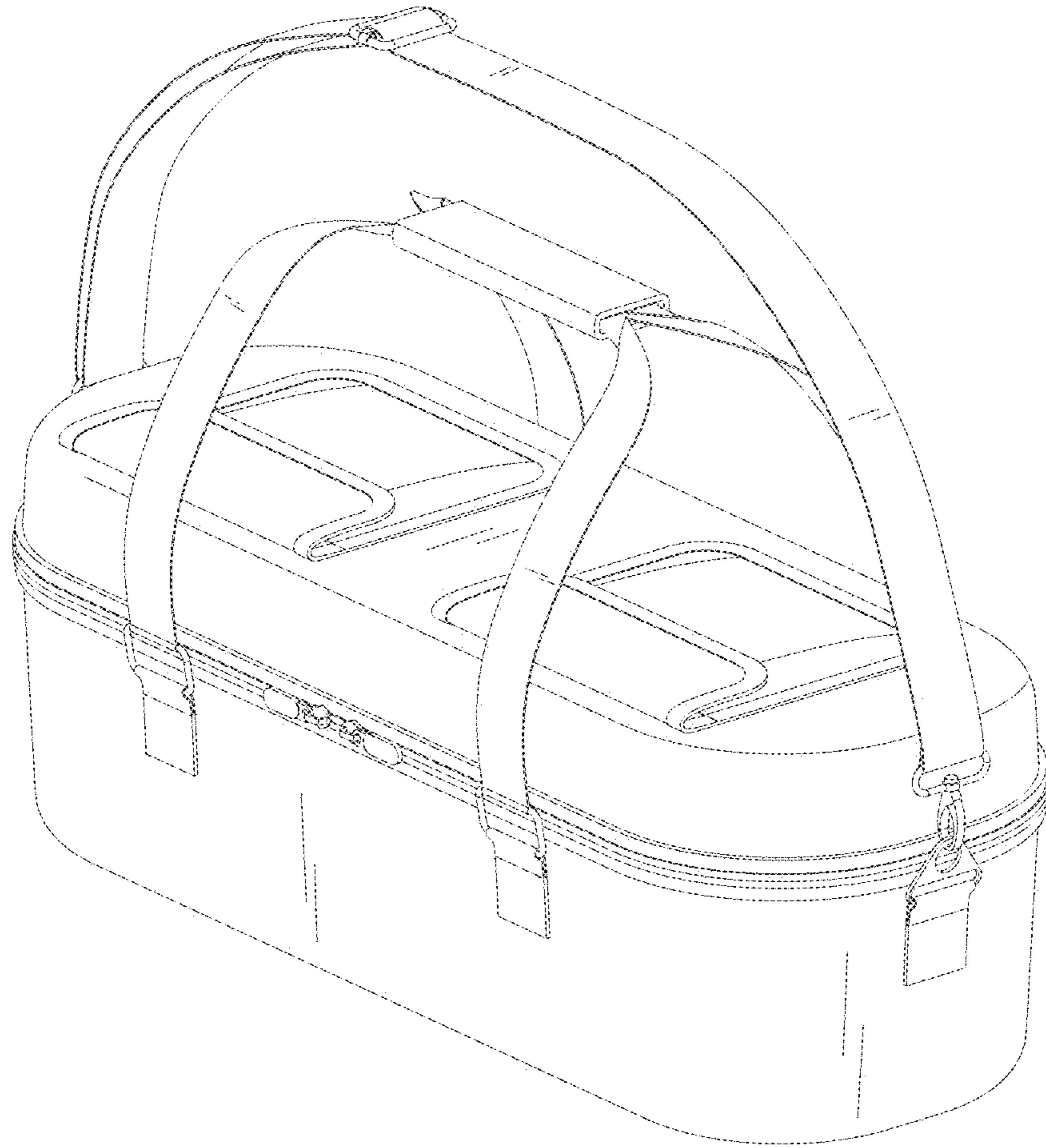


FIG. 1

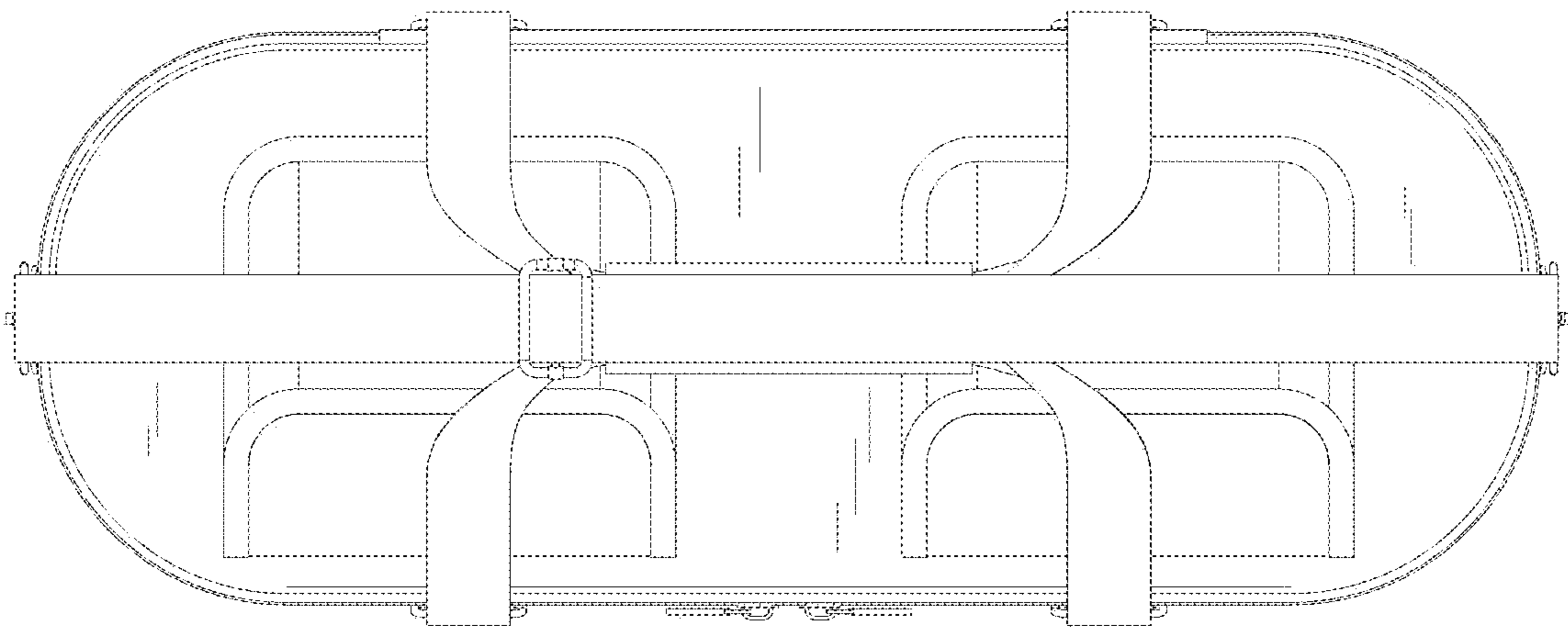


FIG. 2

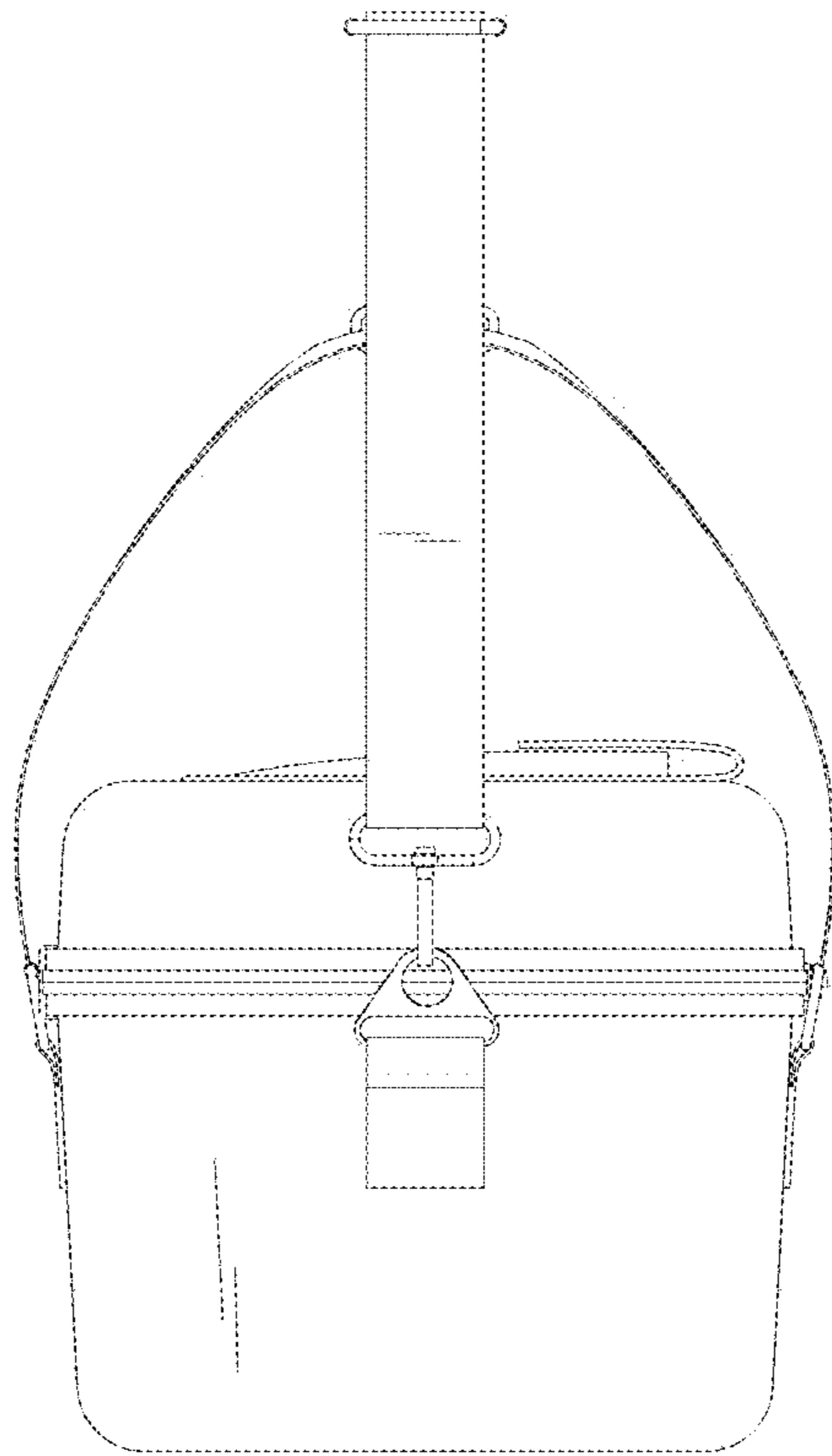


FIG. 3

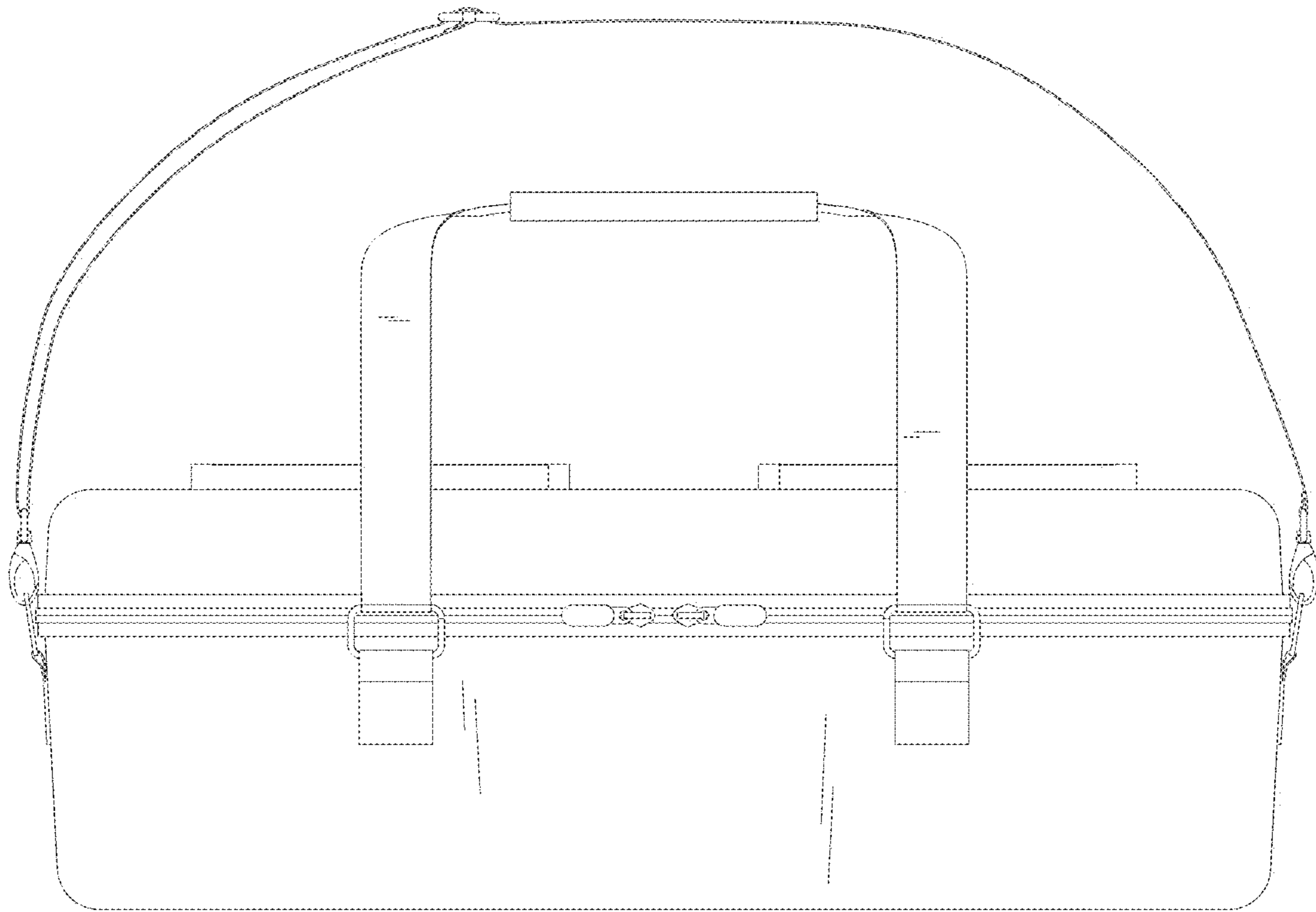


FIG. 4

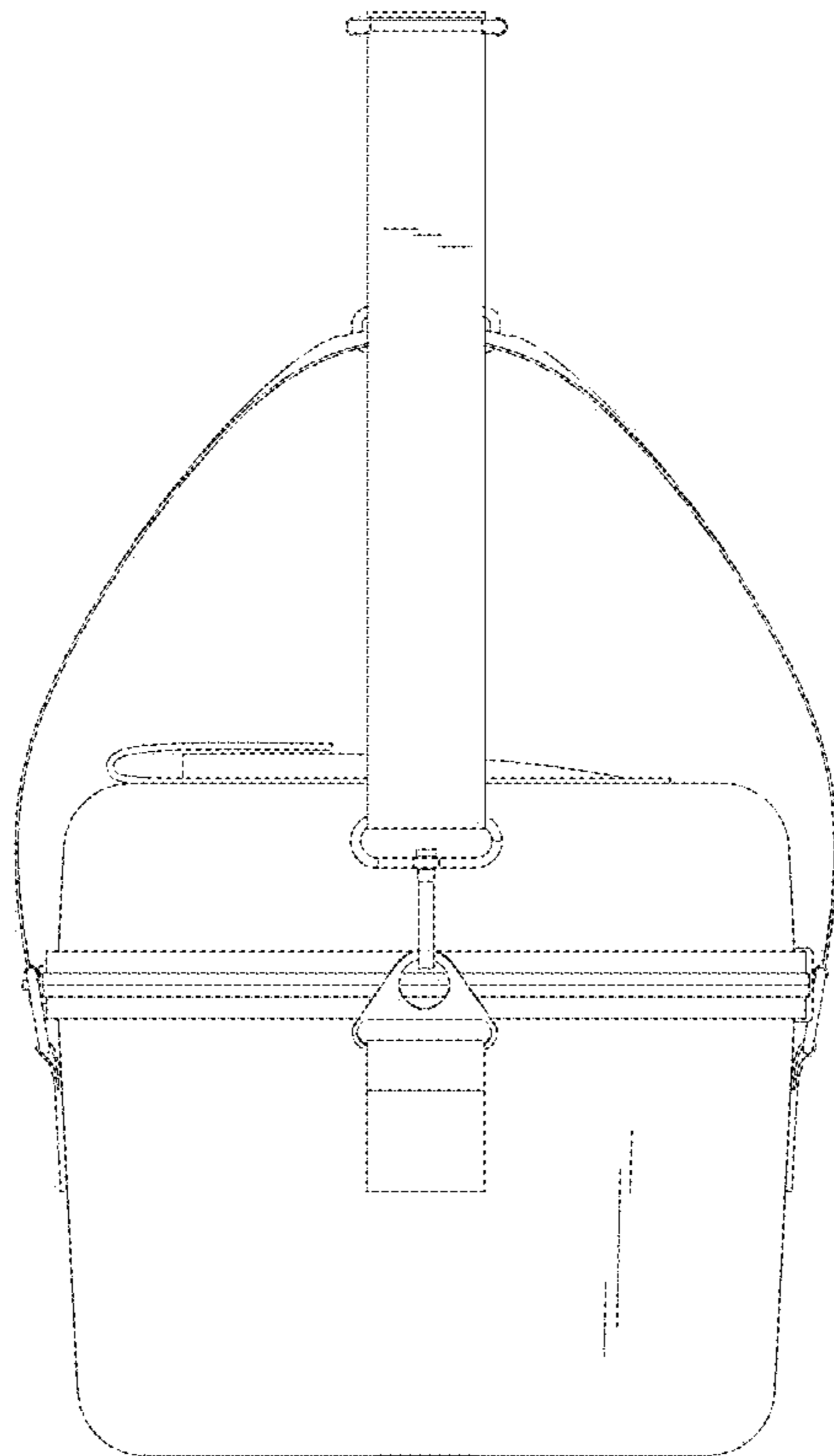


FIG. 5

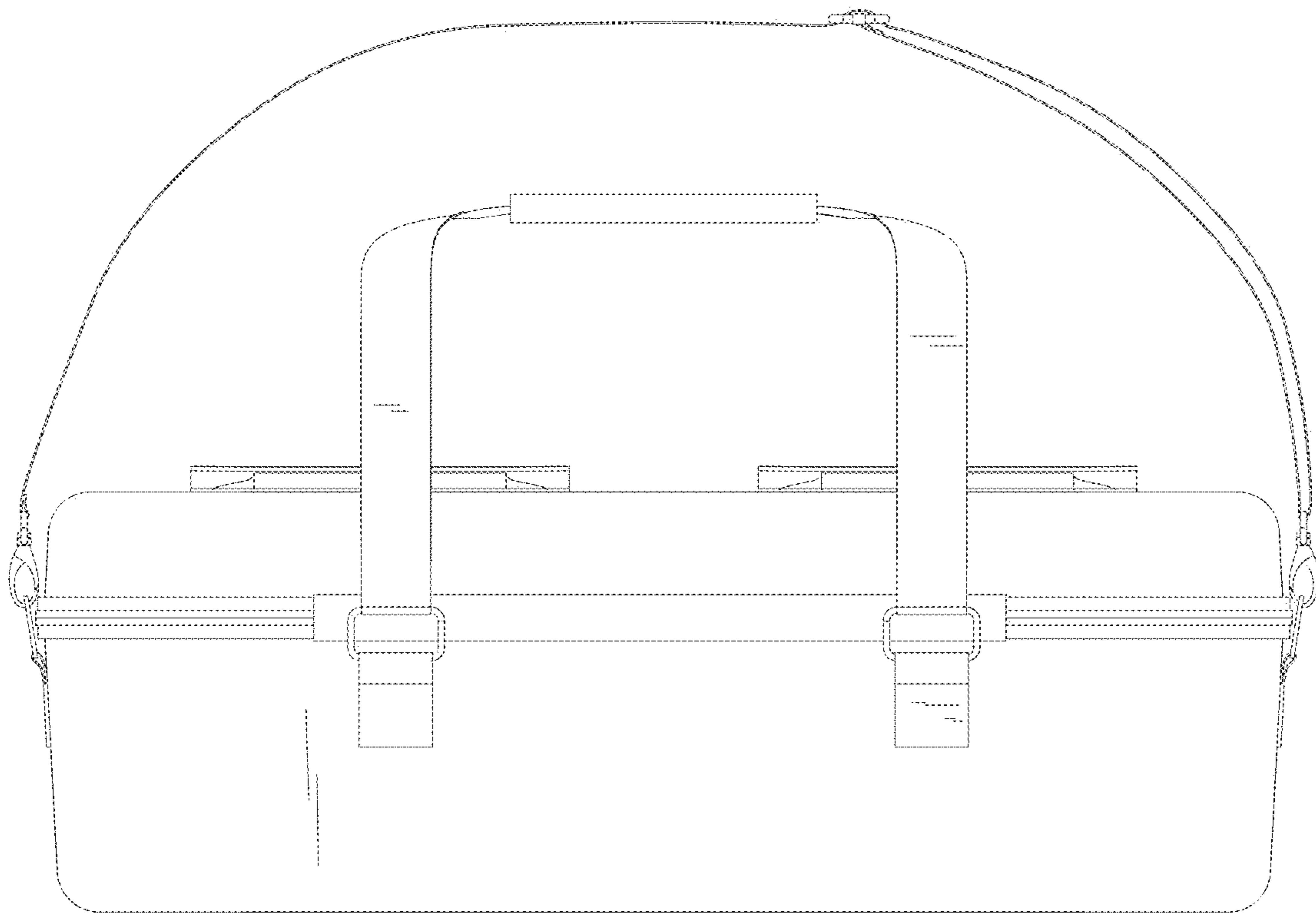


FIG. 6

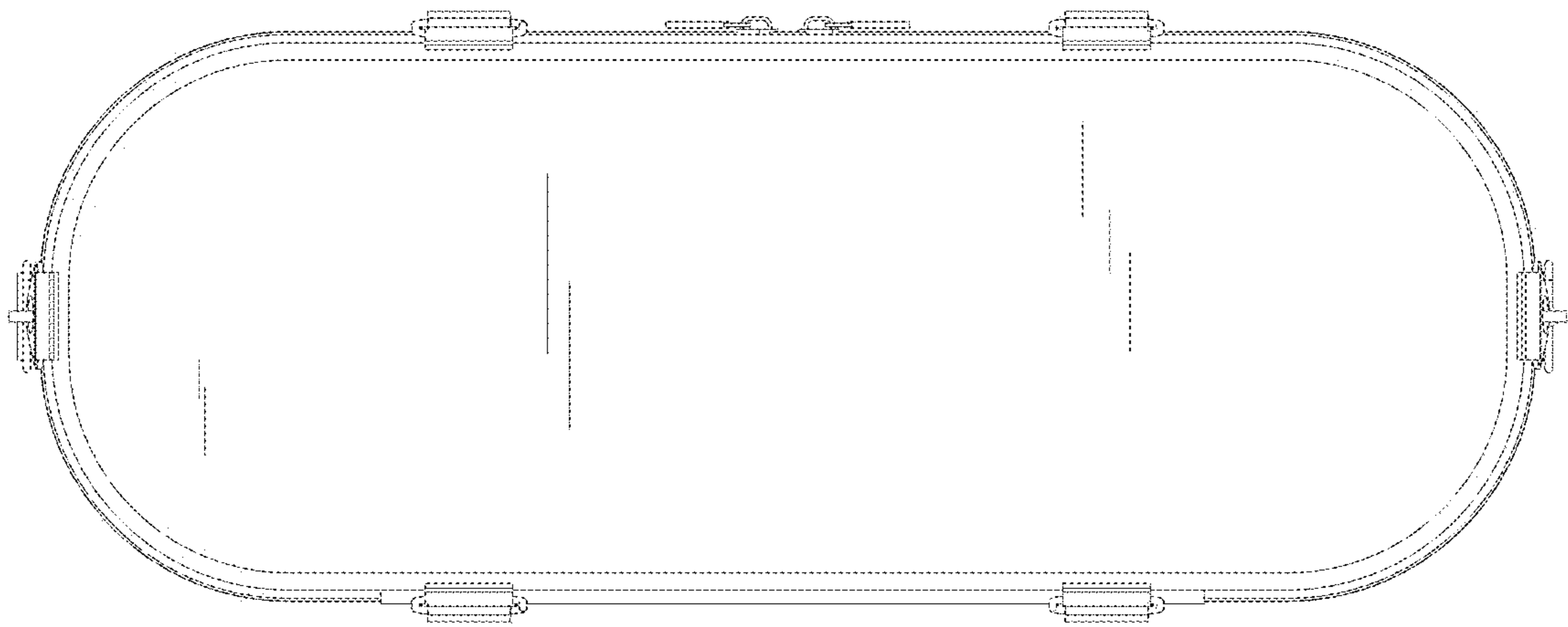


FIG. 7