



US00D903318S

(12) **United States Design Patent** (10) **Patent No.:** **US D903,318 S**
Schroder et al. (45) **Date of Patent:** **** Dec. 1, 2020**

(54) **ENCLOSURE**

(71) Applicant: **Robroy Enclosures, Inc.**, Belding, MI (US)

(72) Inventors: **Roger A. Schroder**, Greenville, MI (US); **Jeffrey W. Hall**, Pierson, MI (US)

(73) Assignee: **ROBROY ENCLOSURES, INC.**, Belding, MI (US)

(**) Term: **15 Years**

(21) Appl. No.: **29/644,645**

(22) Filed: **Apr. 19, 2018**

(51) **LOC (12) Cl.** **03-01**

(52) **U.S. Cl.**
USPC **D3/273; D3/294**

(58) **Field of Classification Search**
USPC D3/273, 274, 276, 279, 281, 282, 291, D3/294, 298, 905, 302, 272, 289; D19/81, 83, 102; D13/184, 152
CPC B65D 21/0233; B65D 21/0222; B25H 3/003; B25H 3/006; B25H 3/02; H02G 3/10; H02G 3/12; H02G 3/081; H02G 3/086

See application file for complete search history.

(56) **References Cited**

U.S. PATENT DOCUMENTS

D130,643 S *	12/1941	Hose	D13/146
D312,460 S *	11/1990	Smith	D13/152
D385,850 S *	11/1997	DiMichele	D13/152
D391,225 S *	2/1998	Wray	D13/123
5,914,460 A *	6/1999	Mowery	H02G 3/10 174/17 CT
D425,493 S *	5/2000	Cutright	D13/184
D452,487 S *	12/2001	Kaplan	D13/184
D507,241 S *	7/2005	Koessler	D13/152
D517,507 S *	3/2006	Johnson	D13/184
D556,143 S *	11/2007	Ni	D13/152

D591,690 S *	5/2009	Vogel	D13/152
D593,970 S *	6/2009	Sonntag	D13/184
D606,033 S *	12/2009	Sonntag	D13/184
D660,261 S *	5/2012	Huang	D13/184
D702,198 S *	4/2014	Gretz	D13/152
D722,975 S *	2/2015	Debone	D13/152

(Continued)

OTHER PUBLICATIONS

AttaBox, "Machobox", Accessed Oct. 23, 2019. (<https://attabox.com/product/machobox-24-x-30-x-10-inches-m3024hpl-enclosure/>) (Year: 2019).*

Primary Examiner — April Rivas

(74) *Attorney, Agent, or Firm* — The Webb Law Firm

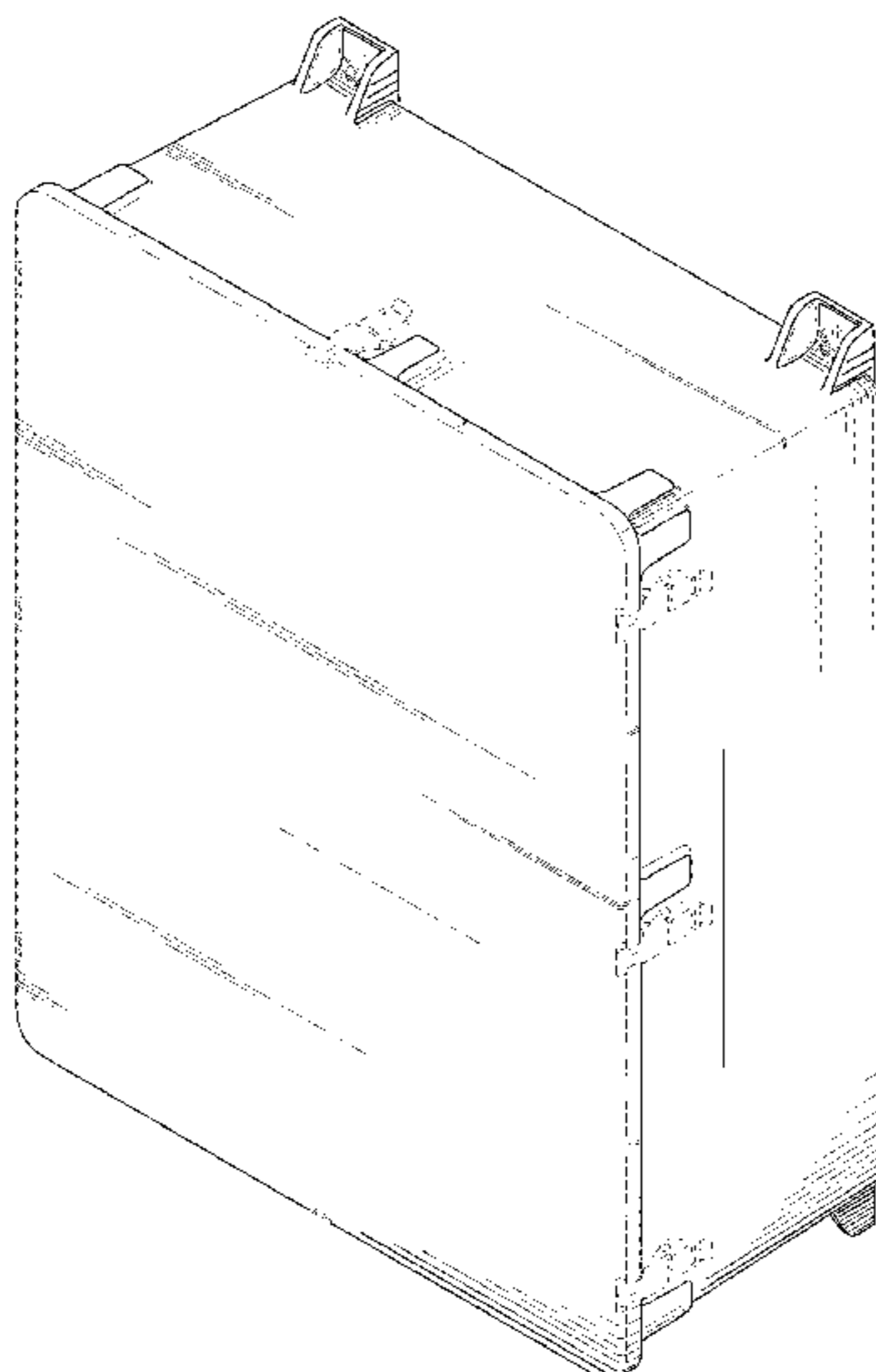
(57) **CLAIM**

The ornamental design for an enclosure, as shown and described.

DESCRIPTION

FIG. 1 is an upper perspective of an enclosure, showing our new design;
FIG. 2 is a front elevation view thereof;
FIG. 3 is a rear elevation thereof;
FIG. 4 is a left side elevation view thereof;
FIG. 5 is a right side elevation view thereof;
FIG. 6 is a top view thereof;
FIG. 7 is a bottom view thereof;
FIG. 8 is an upper perspective view thereof with the front cover removed;
FIG. 9 is a front elevation view thereof with the front cover removed; and,
FIG. 10 is an enlarged perspective view of area "10" shown in FIG. 8.
The front cover is shown removed in FIGS. 8-10 for convenience of illustration only.
The portions of the enclosure shown in broken lines form no part of the claimed design.

1 Claim, 10 Drawing Sheets



(56)

References Cited

U.S. PATENT DOCUMENTS

D733,066	S	*	6/2015	Vaughn	D13/152
D768,086	S	*	10/2016	Leung	D13/152
D812,025	S	*	3/2018	Cagliani	D13/184
D861,606	S	*	10/2019	Yang	D13/119
2008/0121405	A1	*	5/2008	Ruihley	H02G 3/081 174/58

* cited by examiner

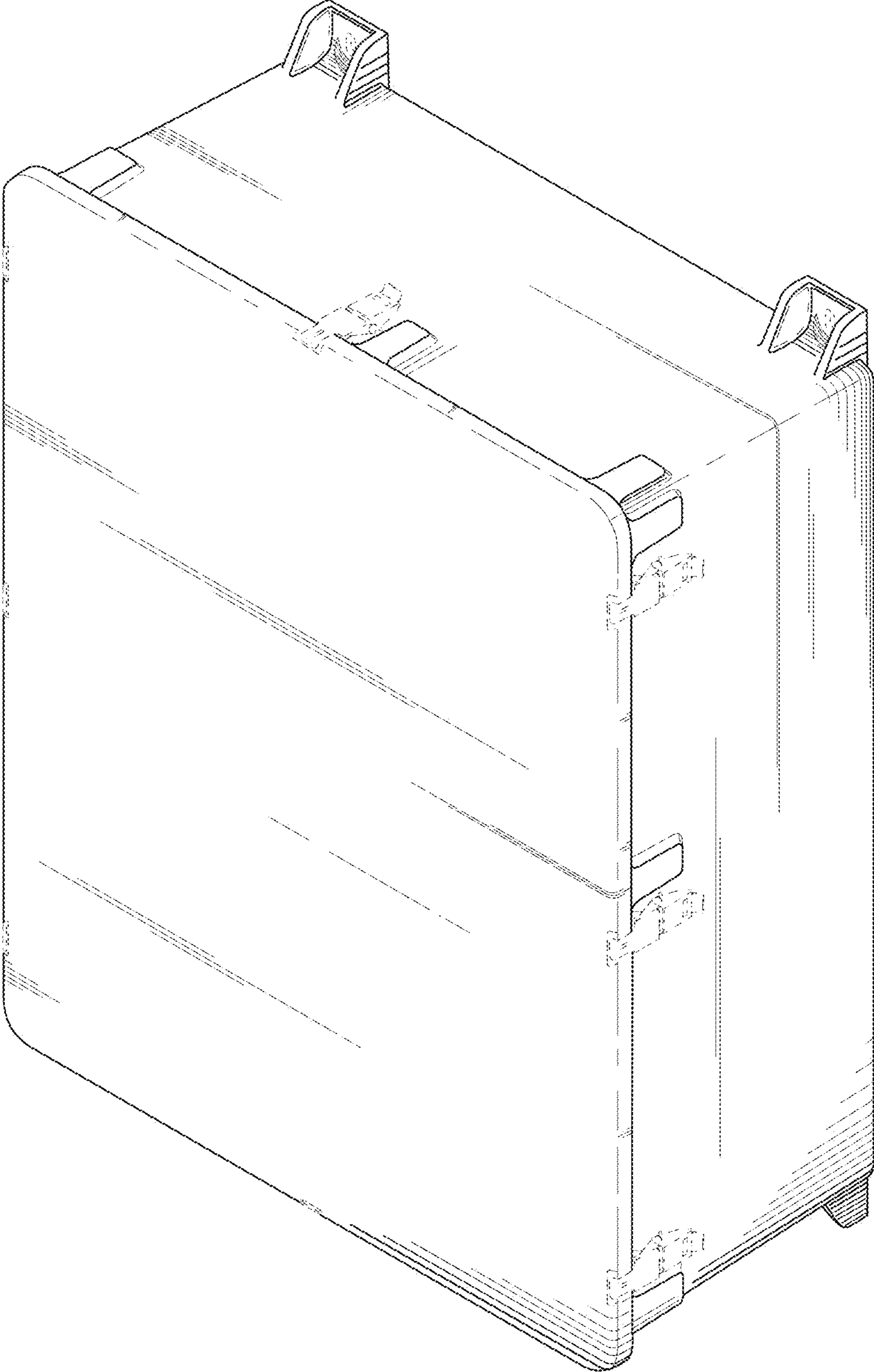


FIG. 1

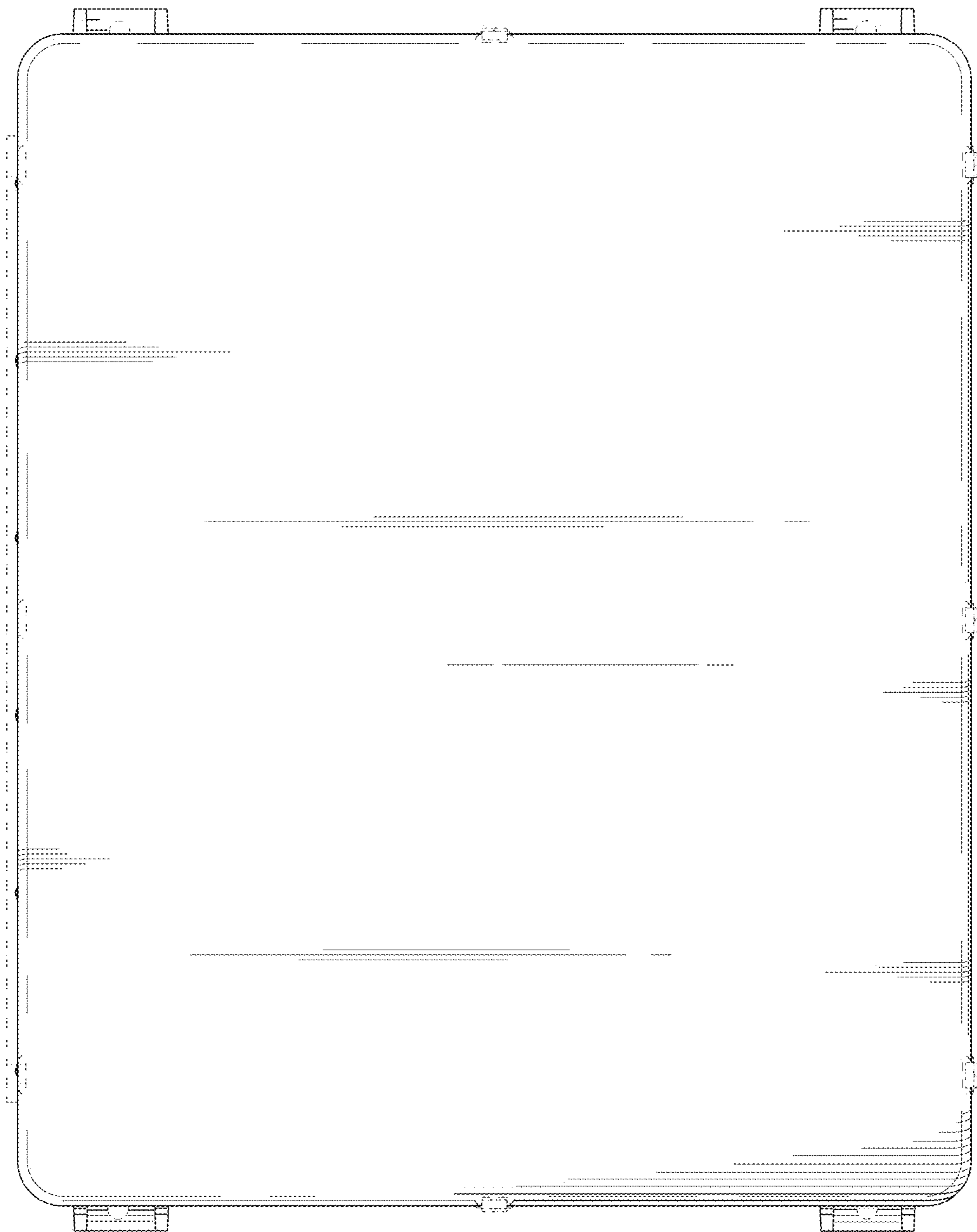


FIG. 2

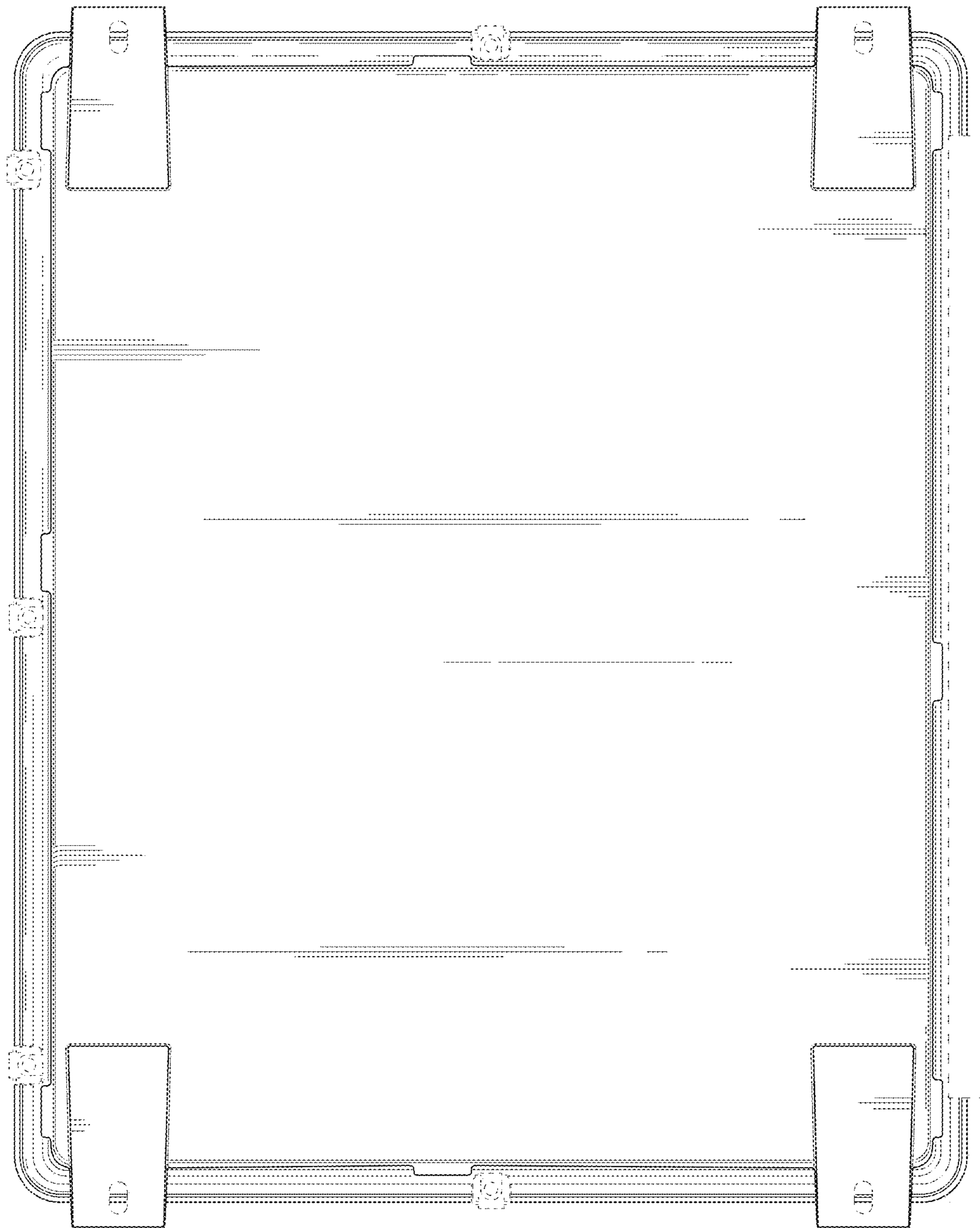


FIG. 3

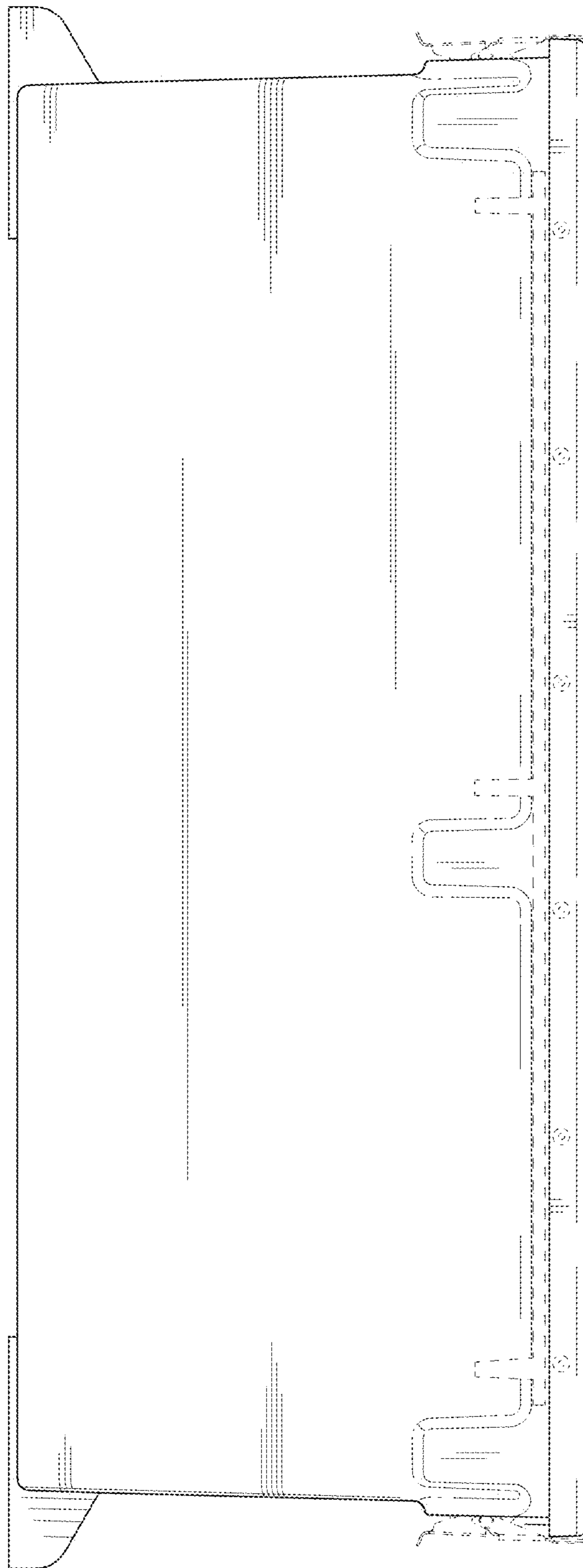


FIG. 4

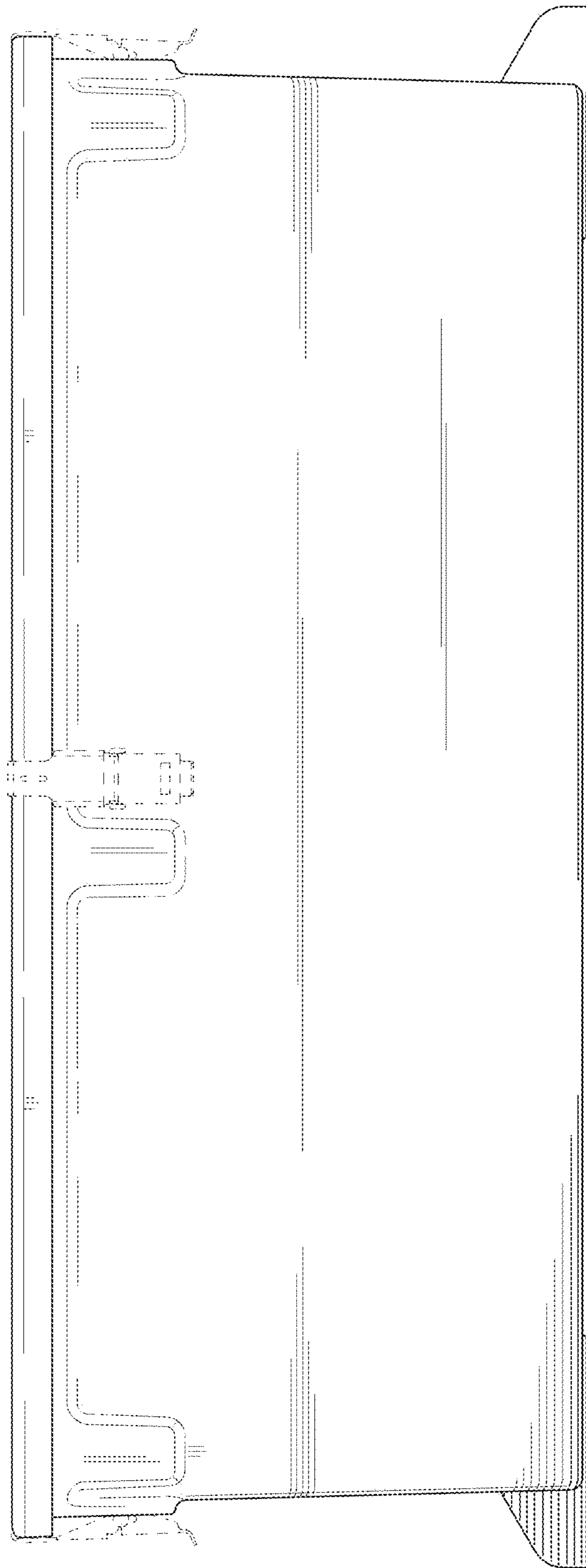


FIG. 5

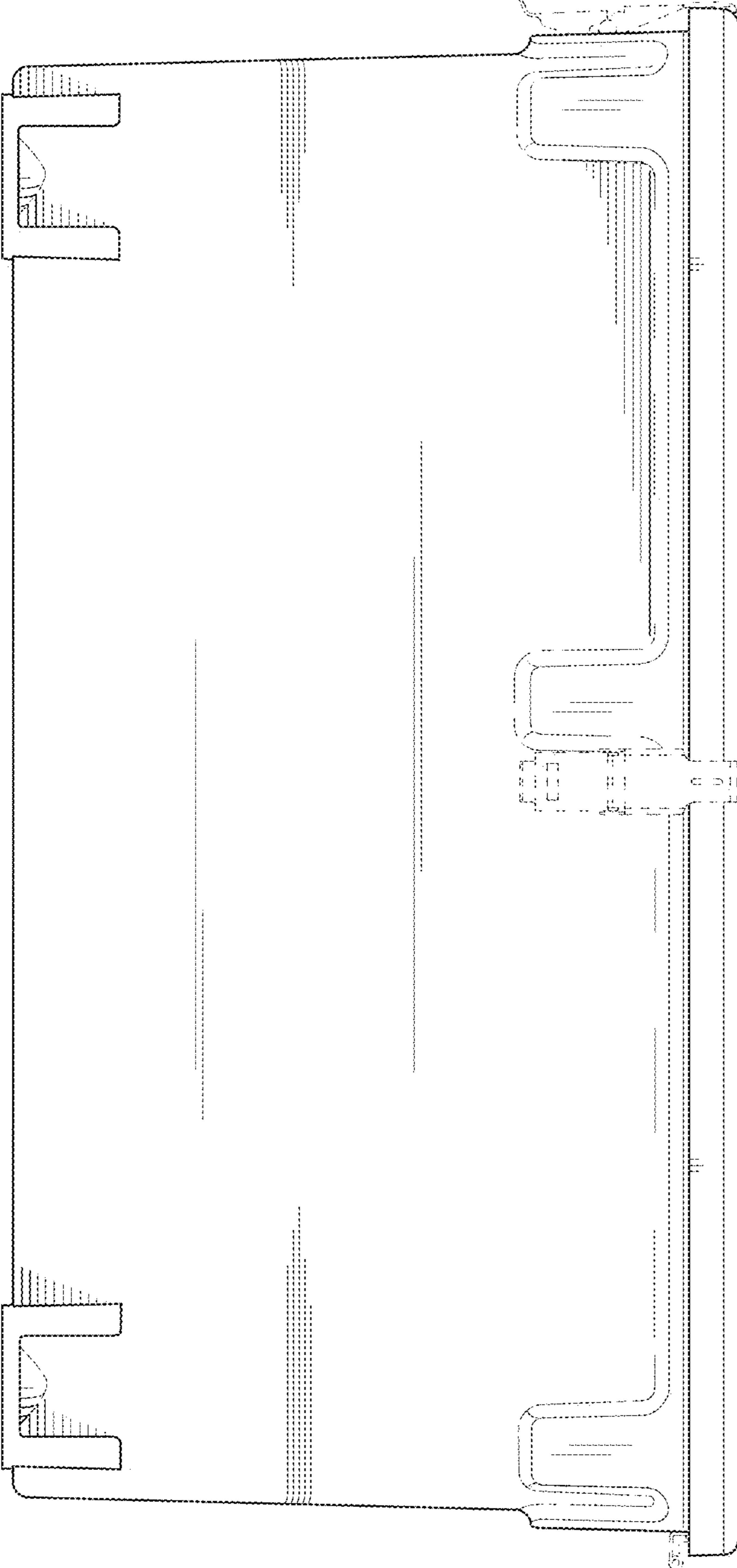


FIG. 6

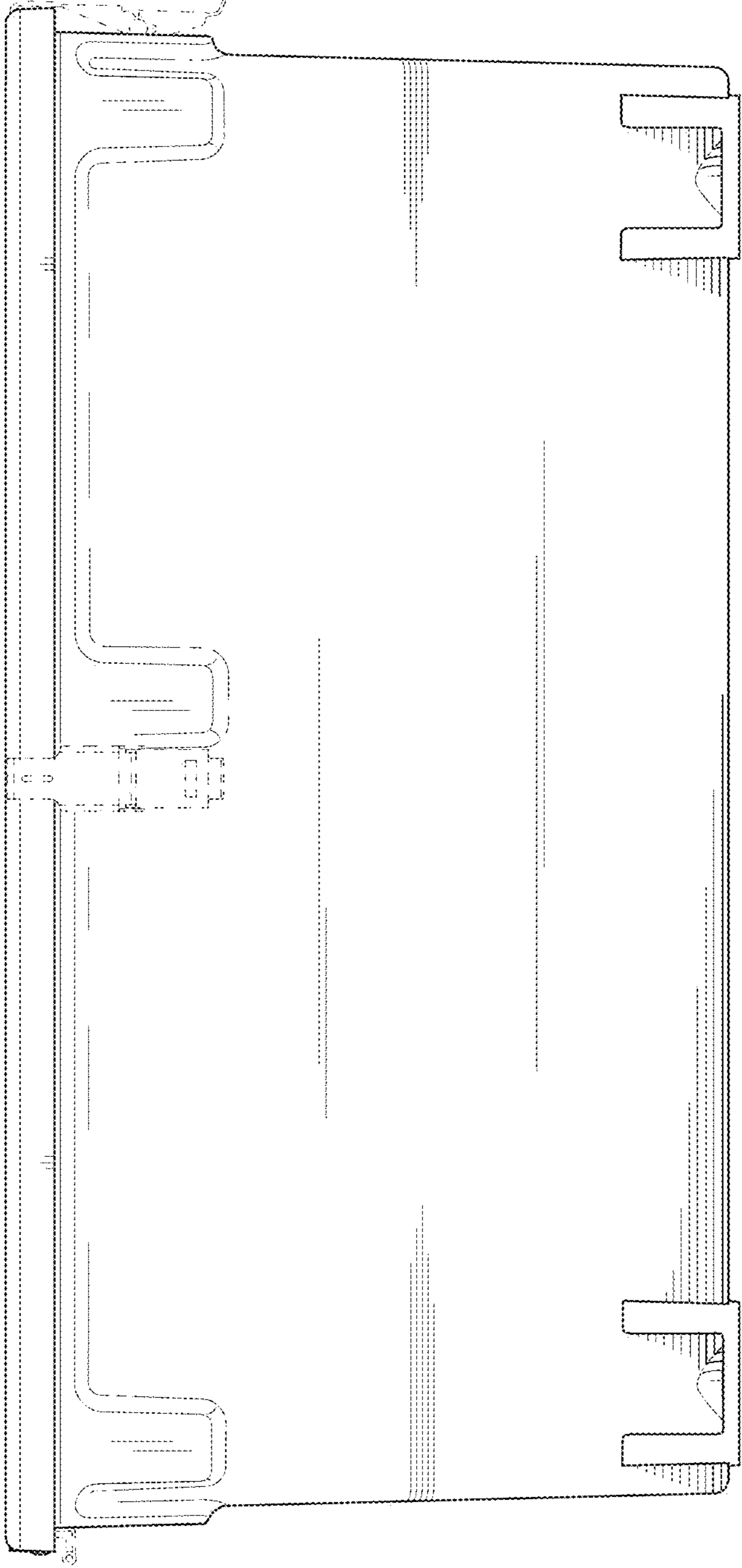


FIG. 7

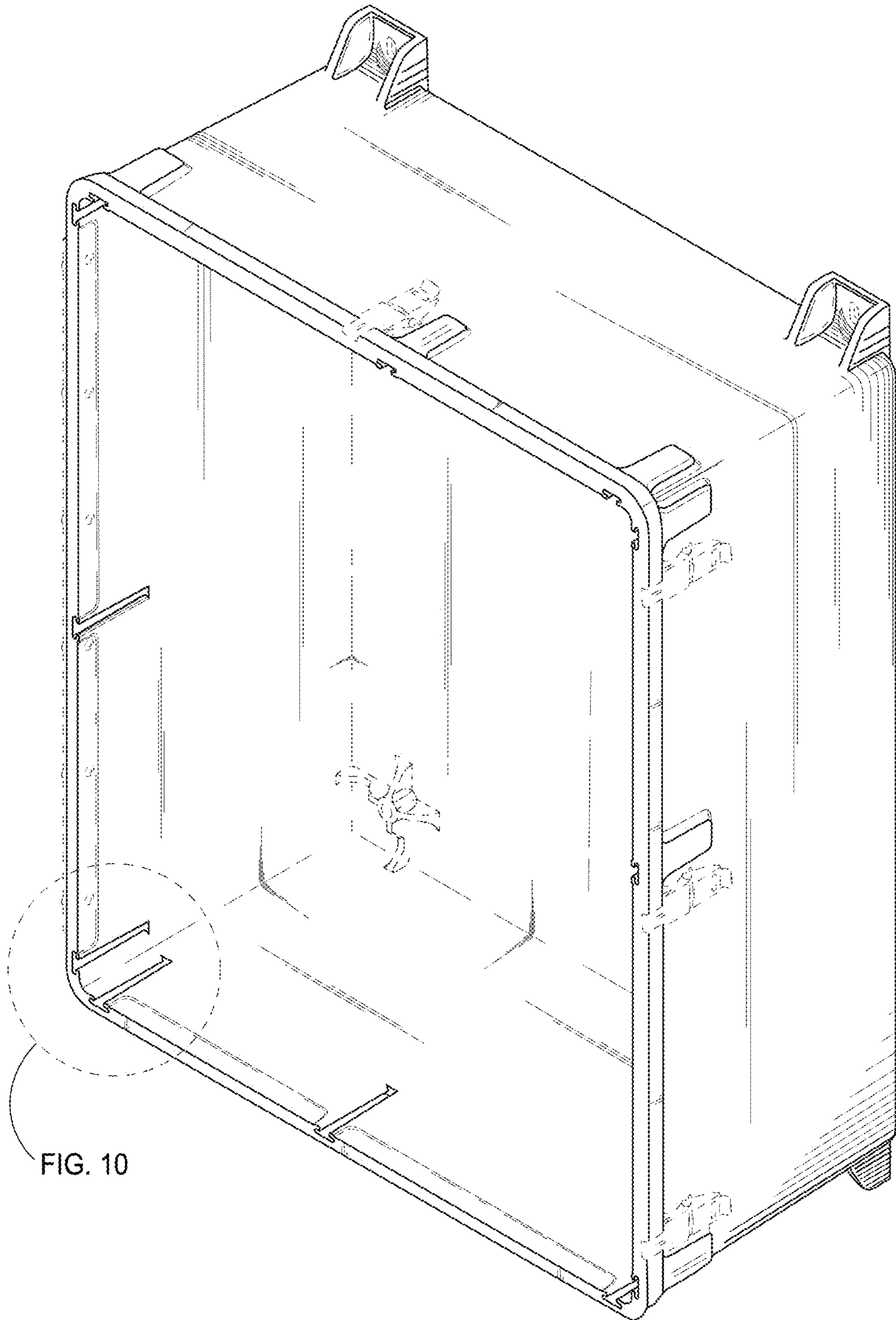


FIG. 10

FIG. 8

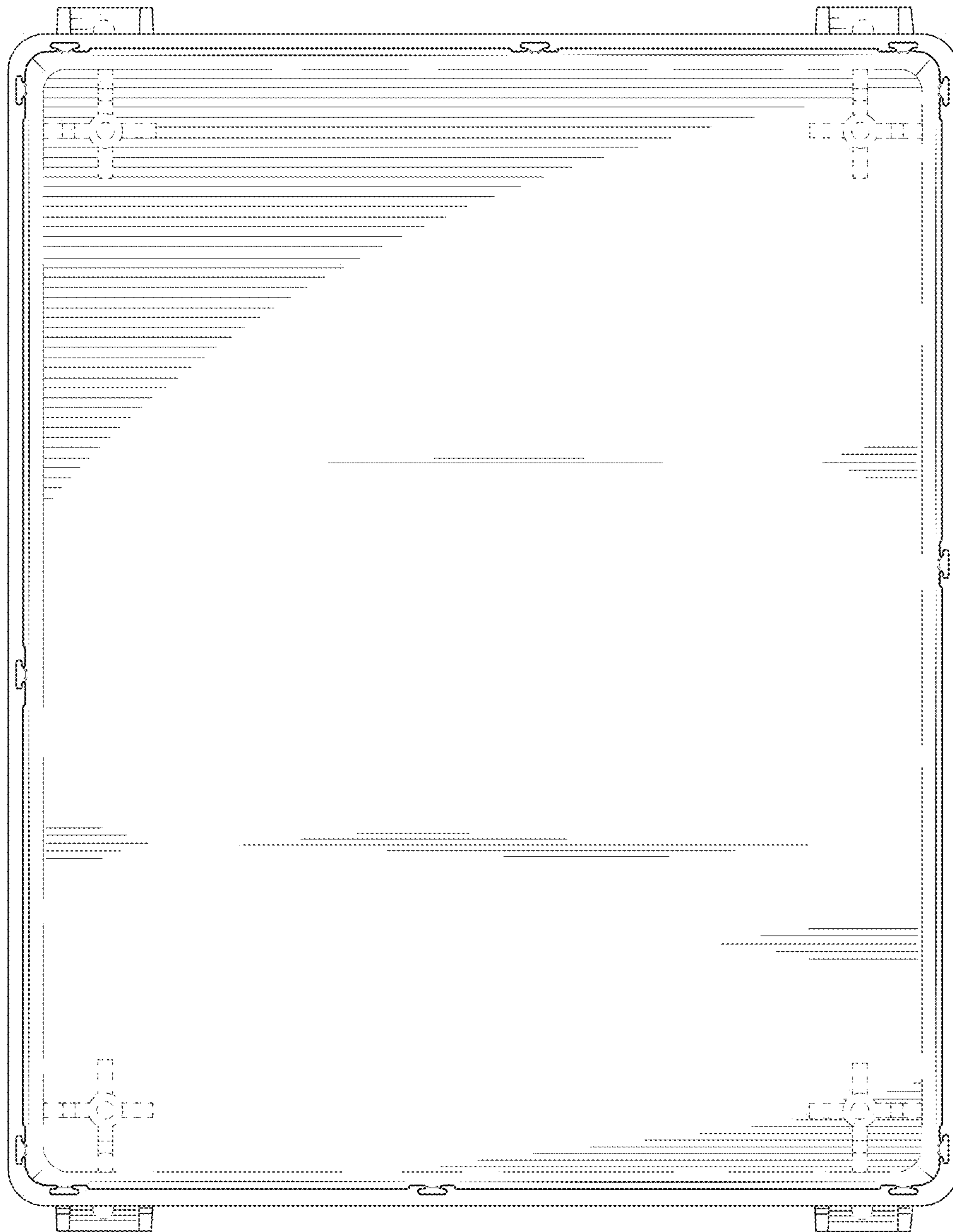


FIG. 9

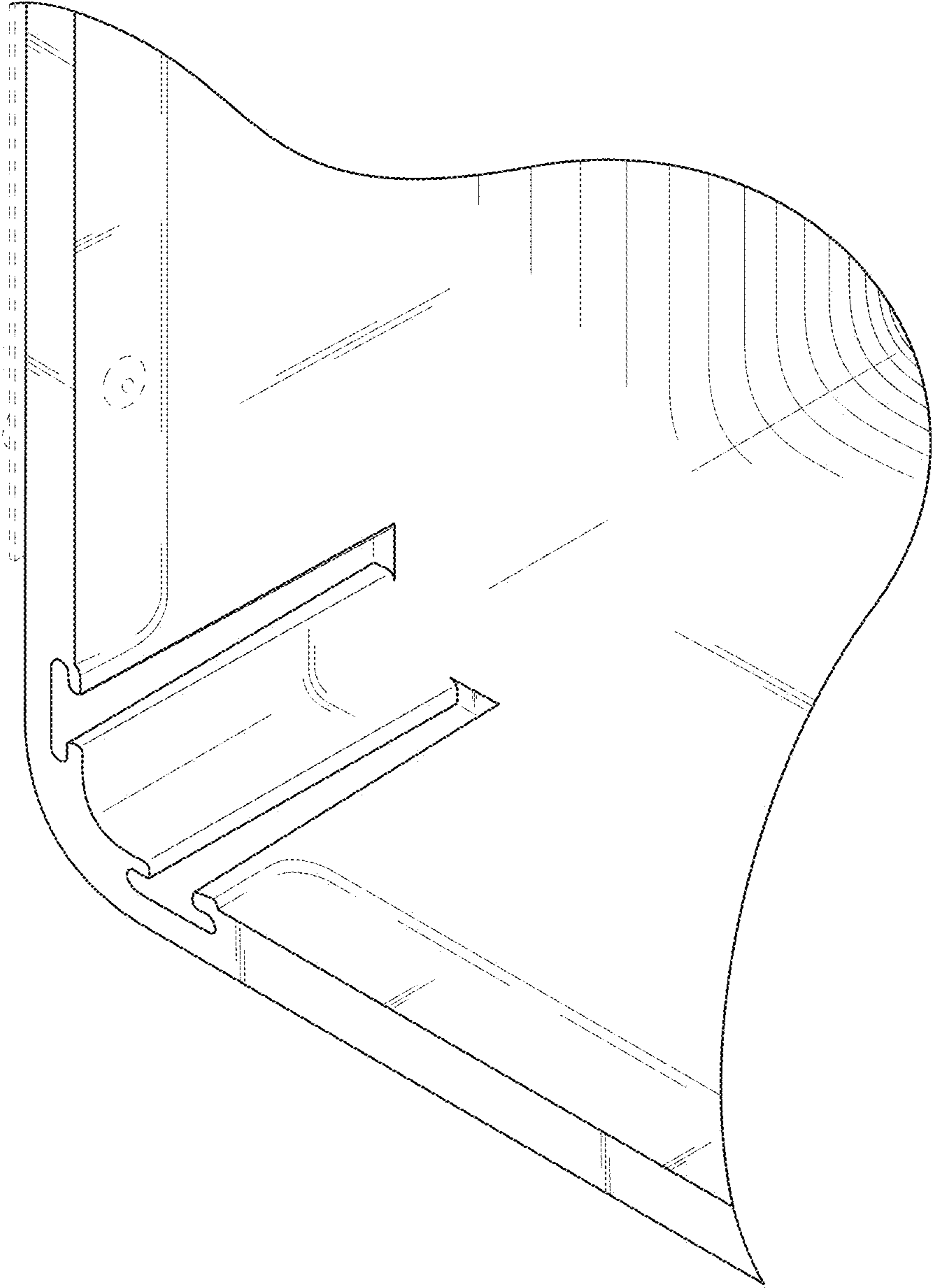


FIG. 10