



US00D903316S

(12) **United States Design Patent** (10) **Patent No.:** **US D903,316 S**
Kwak et al. (45) **Date of Patent:** **** Dec. 1, 2020**

(54) **CASE FOR EARPHONES**
(71) Applicant: **SPIGEN KOREA CO., LTD.**, Seoul (KR)
(72) Inventors: **Jung Hun Kwak**, Seoul (KR); **Eun Hee Koo**, Seoul (KR)
(73) Assignee: **Spigen Korea CO., LTD.**, Seoul (KR)

D734,760 S 7/2015 Brunner et al.
D738,110 S 9/2015 Jiang et al.
D740,018 S 10/2015 Zhang et al.
D756,626 S 5/2016 Tollefsbol et al.
D761,773 S 7/2016 Choi
D762,204 S 7/2016 Armstrong et al.
D776,105 S 1/2017 Han
D784,311 S 4/2017 Yoon
D791,754 S 7/2017 Armstrong et al.

(Continued)

(**) Term: **15 Years**

OTHER PUBLICATIONS

(21) Appl. No.: **29/714,906**

Caseology Vault for Apple AirPods Pro Case (2019)—Matte Black, posted at amazon.com, available Jan. 1, 2020, retrieved Apr. 21, 2020, online, URL: https://www.amazon.com/Caseology-Vault-Apple-Airpods-Case/dp/B07ZZZXD63/ref=psdc_2267281011_t2_B0ZPG8RYV?th=1 (Year: 2020).*

(22) Filed: **Nov. 26, 2019**

(51) **LOC (12) Cl.** **03-01**

(52) **U.S. Cl.**

USPC **D3/269**; D3/273

(58) **Field of Classification Search**

USPC D3/201, 203.1, 204, 205, 207–208, 212, D3/215, 218, 269, 273–274, 276, 283, D3/284, 294–300, 302, 303, 315, 901, D3/903; D9/414, 418, 420, 430, 432; D28/66, 73, 76, 78, 91; D14/188, 201, D14/204, 205, 209.1, 217, 250, 251, 440, D14/447

CPC ... A45C 13/002; A45C 13/005; A45C 13/025; A45C 2011/001; A45C 2011/002; A45C 2011/003

See application file for complete search history.

Primary Examiner — Lilyana Bekic

Assistant Examiner — Mary Shannon Malley

(74) *Attorney, Agent, or Firm* — Heedong Chae; Lucem, PC

(57) **CLAIM**

The ornamental design for a case for earphones, as shown and described.

DESCRIPTION

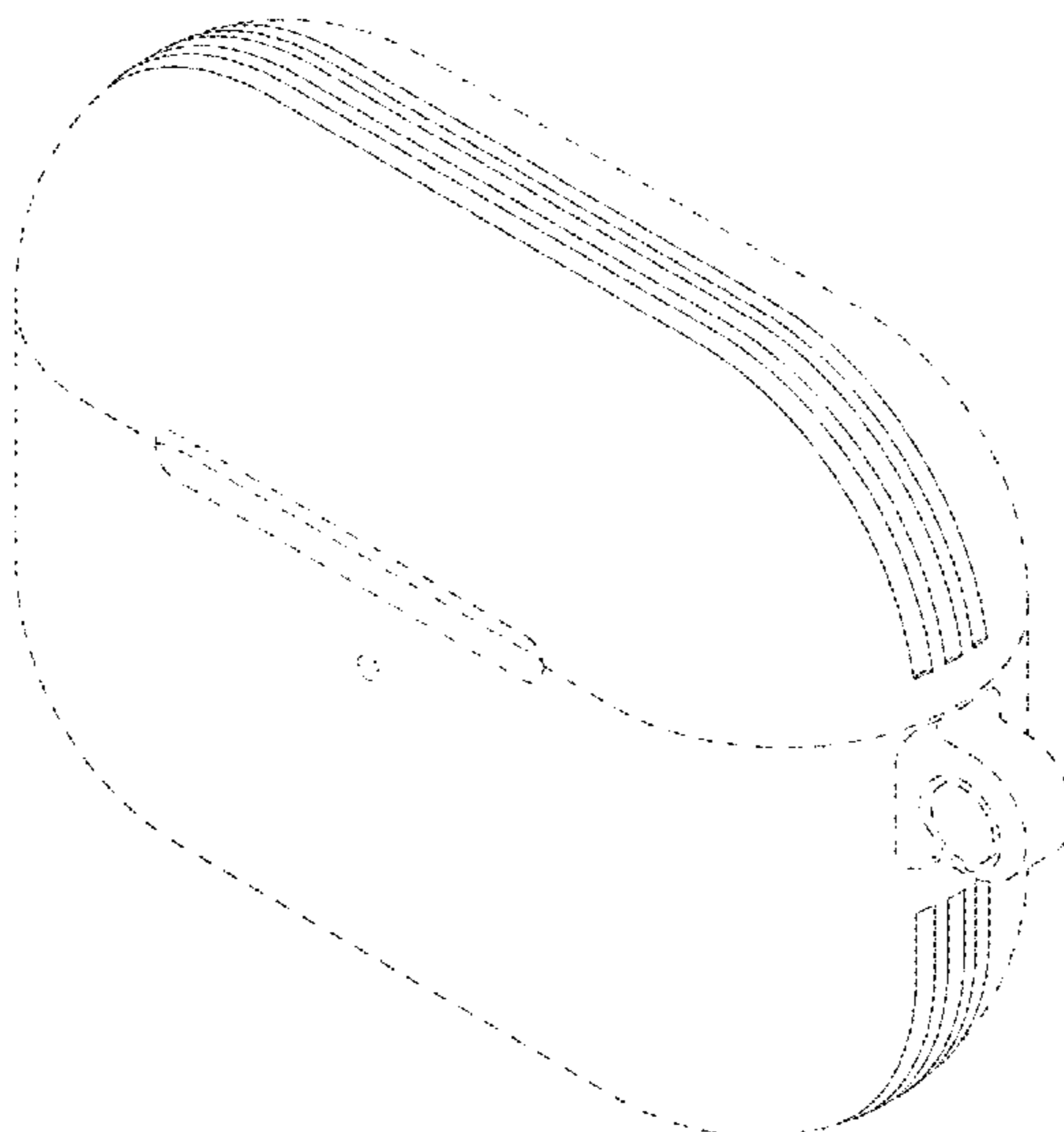
FIG. 1 is a front perspective view of a case for earphones showing my new design;
FIG. 2 is a rear perspective view thereof;
FIG. 3 is a front elevational view thereof;
FIG. 4 is a rear elevational view thereof;
FIG. 5 is a left side elevational view thereof;
FIG. 6 is a right side elevational view thereof;
FIG. 7 is a top plan view thereof; and,
FIG. 8 is a bottom plan view thereof.
The broken lines throughout the drawing figures depict portions of the case for earphones that form no part of the claimed design.

(56) **References Cited**

U.S. PATENT DOCUMENTS

D259,596 S 6/1981 Gray
D354,848 S * 1/1995 Lovell D28/77
D452,611 S 1/2002 Redgrave
D475,696 S 6/2003 Hussaini et al.
D586,557 S 2/2009 Jalet
D604,501 S 11/2009 Lee
D614,048 S 4/2010 Smith
D636,598 S 4/2011 Tseng et al.
D676,654 S 2/2013 Weremchuk et al.

1 Claim, 8 Drawing Sheets



(56)

References Cited

U.S. PATENT DOCUMENTS

| | | | | | |
|--------------|---------|----------------------------|-------------------|---------|--------------------------|
| D792,877 S | 7/2017 | Kim et al. | D862,425 S | 10/2019 | Yan |
| D794,617 S | 8/2017 | Wright et al. | D862,435 S | 10/2019 | Kwak et al. |
| D794,618 S | 8/2017 | Wright et al. | D864,110 S | 10/2019 | Yoshimura |
| D806,388 S | 1/2018 | Akana et al. | D864,971 S | 10/2019 | Lee et al. |
| D807,335 S | 1/2018 | Kitade | D865,739 S | 11/2019 | Altschul et al. |
| D812,600 S | 3/2018 | Altaras | D868,453 S | 12/2019 | Lee et al. |
| D812,618 S | 3/2018 | Altaras | D868,465 S | 12/2019 | Lee et al. |
| D813,217 S | 3/2018 | Kim | D869,147 S | 12/2019 | Lian |
| D813,909 S | 3/2018 | Lacy-Nichols | D869,161 S * | 12/2019 | Zhong D3/294 |
| D816,651 S | 5/2018 | Chiang et al. | D869,163 S | 12/2019 | Maguire |
| D817,640 S | 5/2018 | Dang et al. | D870,037 S | 12/2019 | Lee |
| D823,246 S | 7/2018 | Lin | D870,451 S | 12/2019 | Birger |
| D826,152 S * | 8/2018 | Christiansen D13/108 | D872,094 S | 1/2020 | Wright et al. |
| D834,301 S | 11/2018 | Poissant | D872,468 S | 1/2020 | Lee et al. |
| D835,081 S | 12/2018 | Luo | D872,469 S | 1/2020 | Lee et al. |
| D836,095 S | 12/2018 | Kim et al. | D872,723 S | 1/2020 | Lee et al. |
| D838,480 S | 1/2019 | Son et al. | D872,724 S | 1/2020 | Lee et al. |
| D841,580 S | 2/2019 | Bao | D873,217 S | 1/2020 | Zhang |
| D841,581 S | 2/2019 | Bonahoom et al. | D874,826 S * | 2/2020 | Zhang D3/303 |
| D846,264 S | 4/2019 | Wu | D878,045 S * | 3/2020 | Akana D3/274 |
| D849,401 S | 5/2019 | Akana et al. | D878,754 S * | 3/2020 | Lee D3/270 |
| D851,033 S | 6/2019 | Yuk | D881,179 S * | 4/2020 | Wright D14/250 |
| D853,108 S | 7/2019 | Zaihui | D881,180 S * | 4/2020 | Wright D14/250 |
| D853,996 S | 7/2019 | Wild | D881,181 S * | 4/2020 | Wright D14/250 |
| D857,373 S * | 8/2019 | Karsenti D3/201 | D881,572 S * | 4/2020 | Wang D3/294 |
| D860,933 S | 9/2019 | Sun | D881,867 S * | 4/2020 | Lee D14/250 |
| | | | 2018/0014104 A1 * | 1/2018 | Boesen H04R 1/1025 |
| | | | 2020/0100573 A1 * | 4/2020 | Ekelund A45C 11/00 |

* cited by examiner

FIG. 1

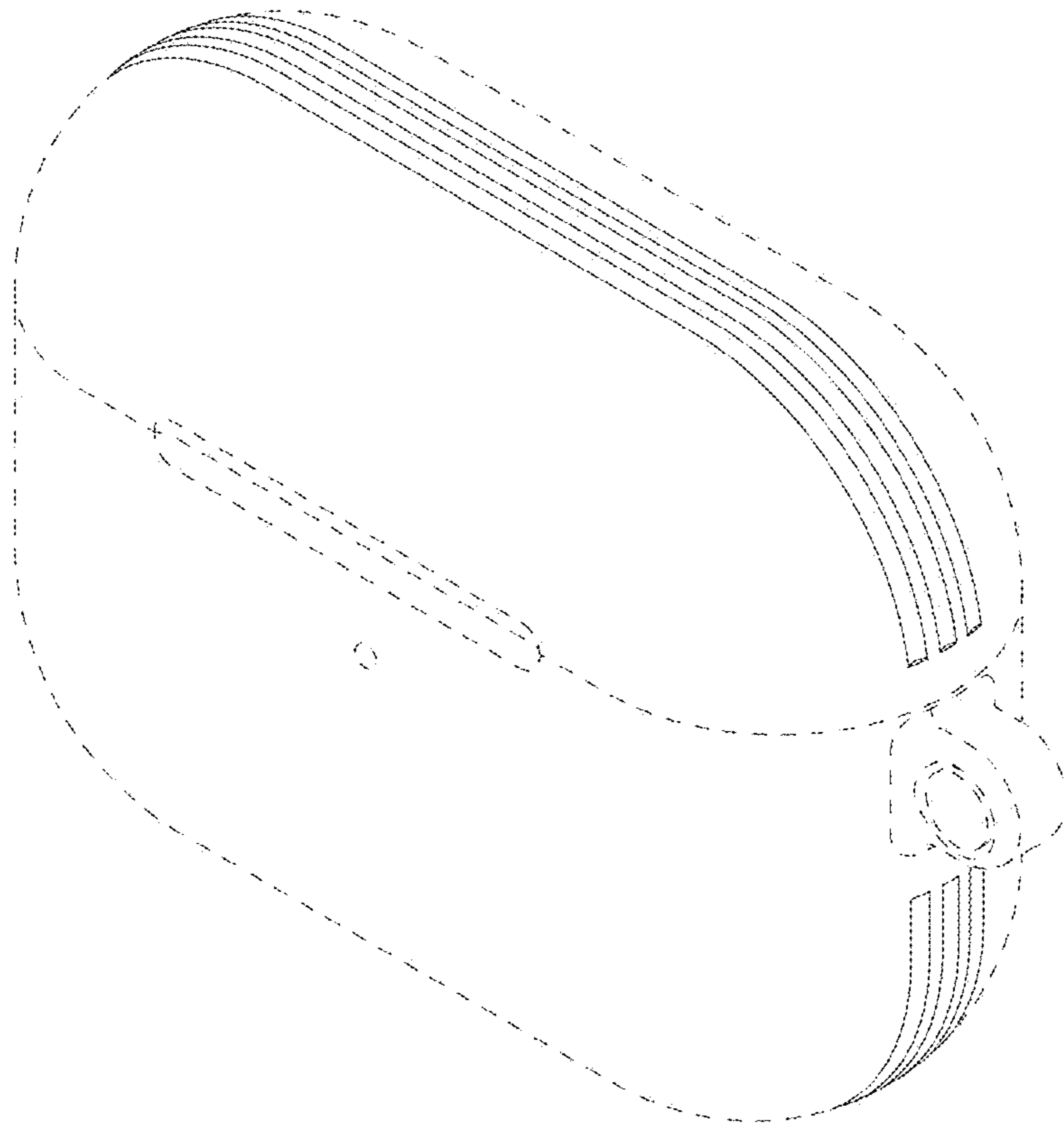


FIG. 2

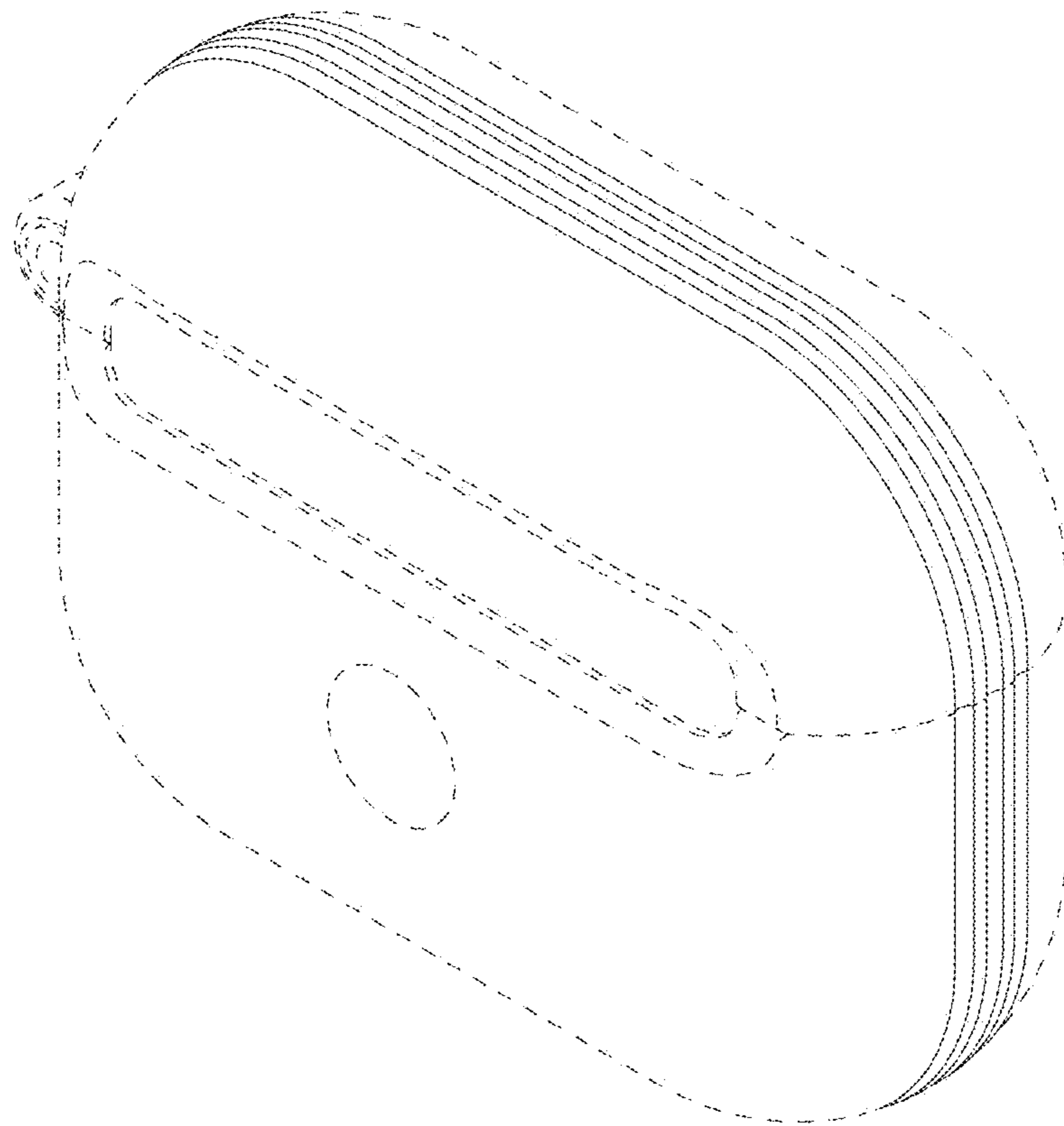


FIG. 3

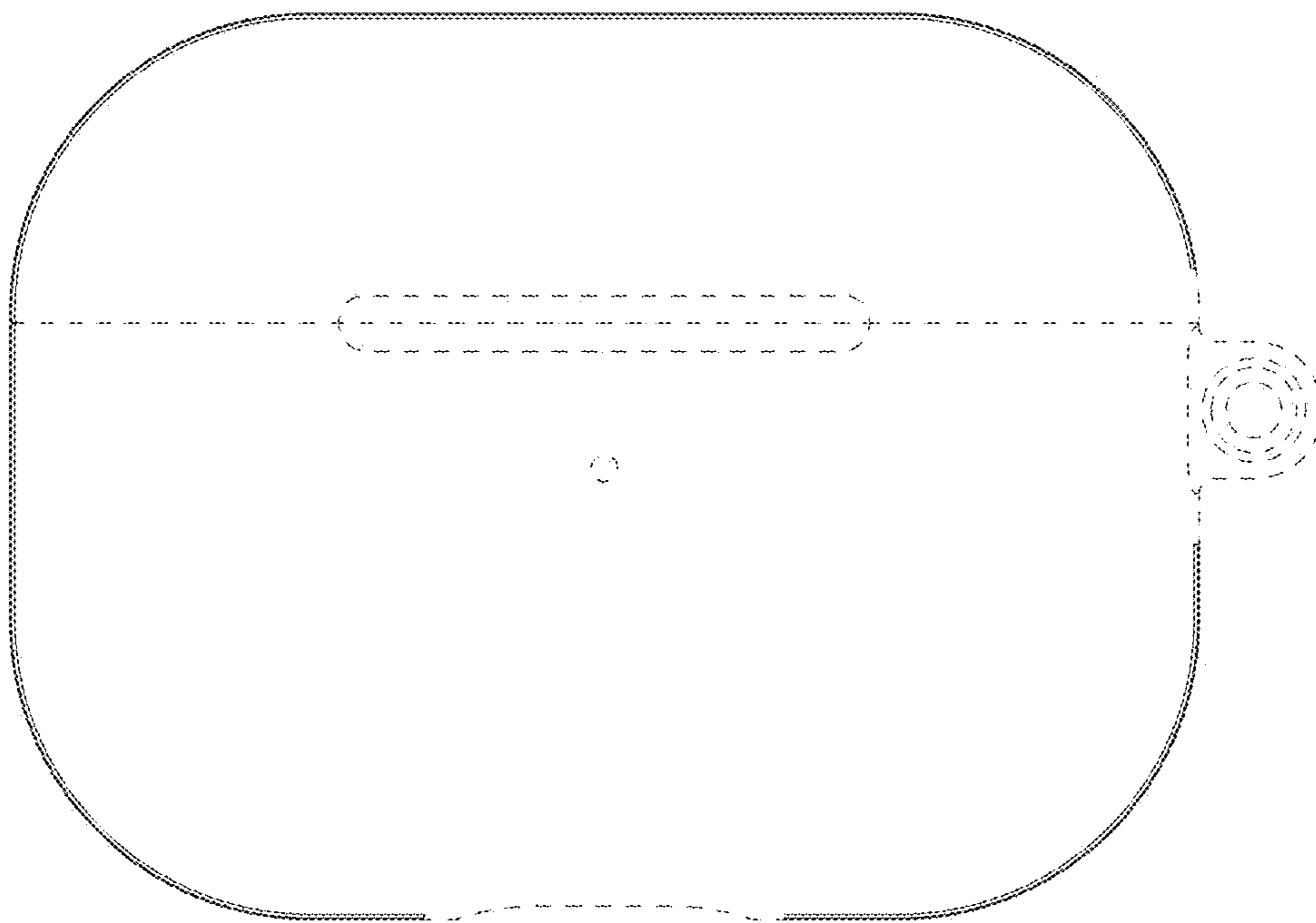


FIG. 4

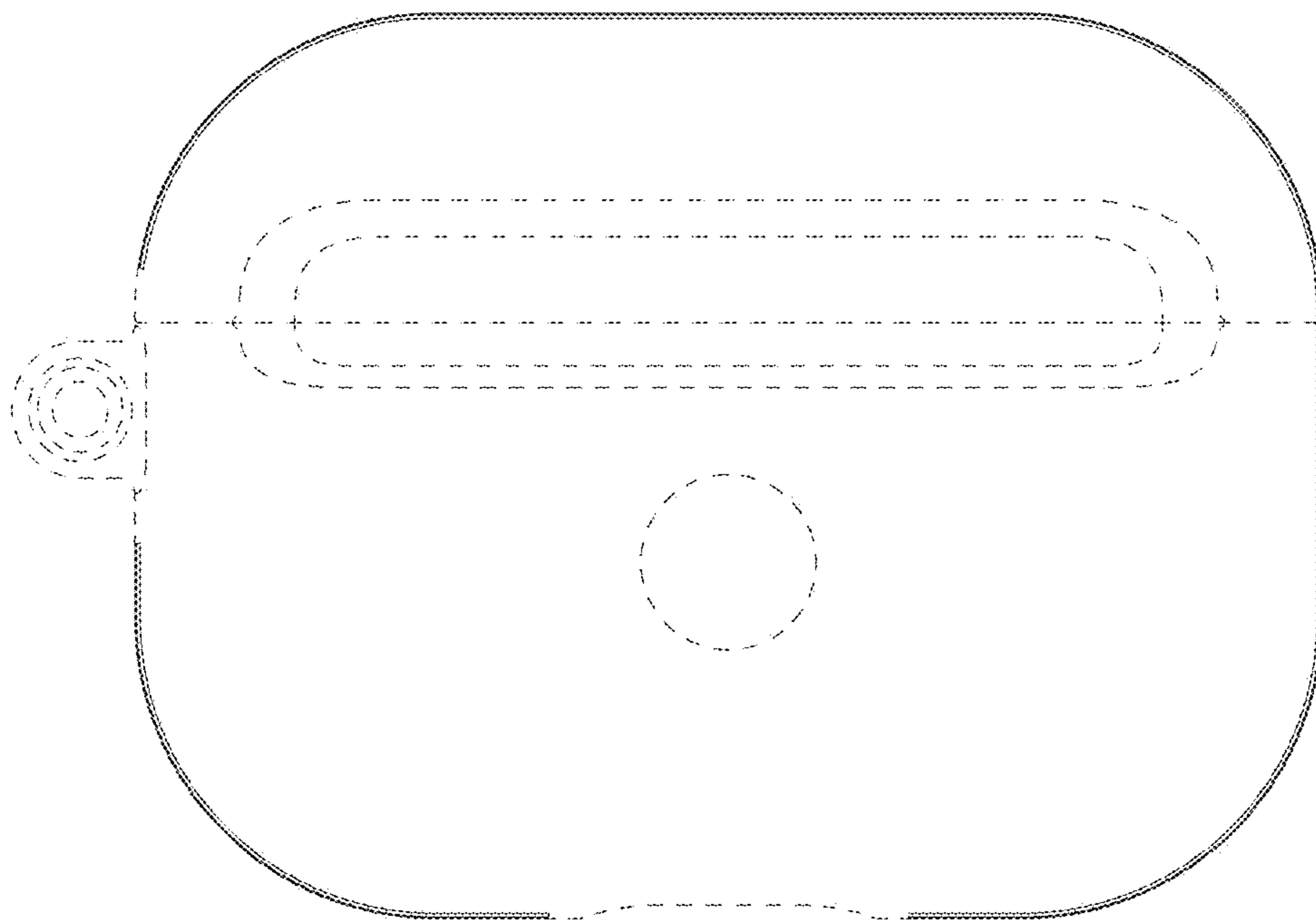


FIG. 5

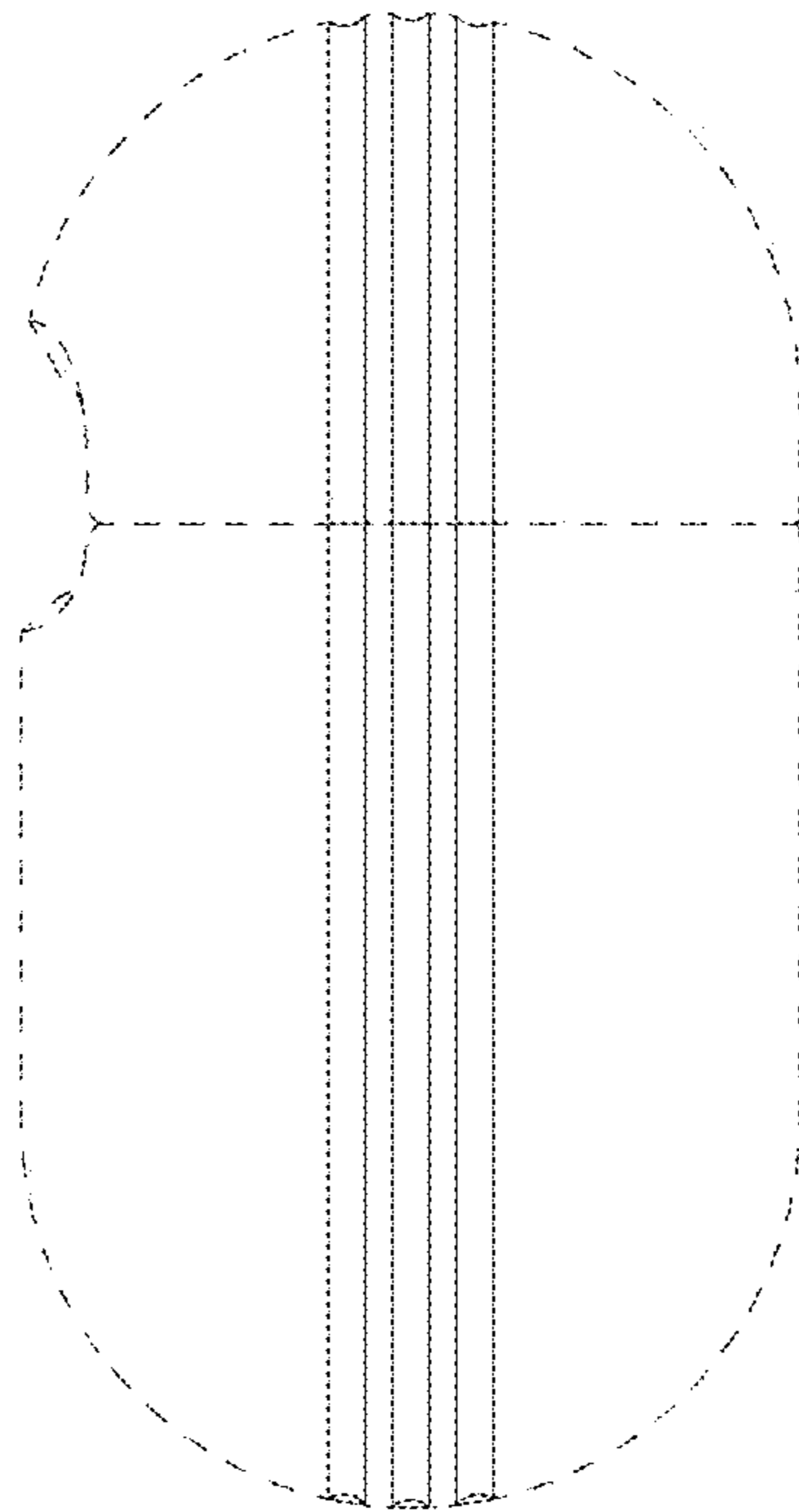


FIG. 6

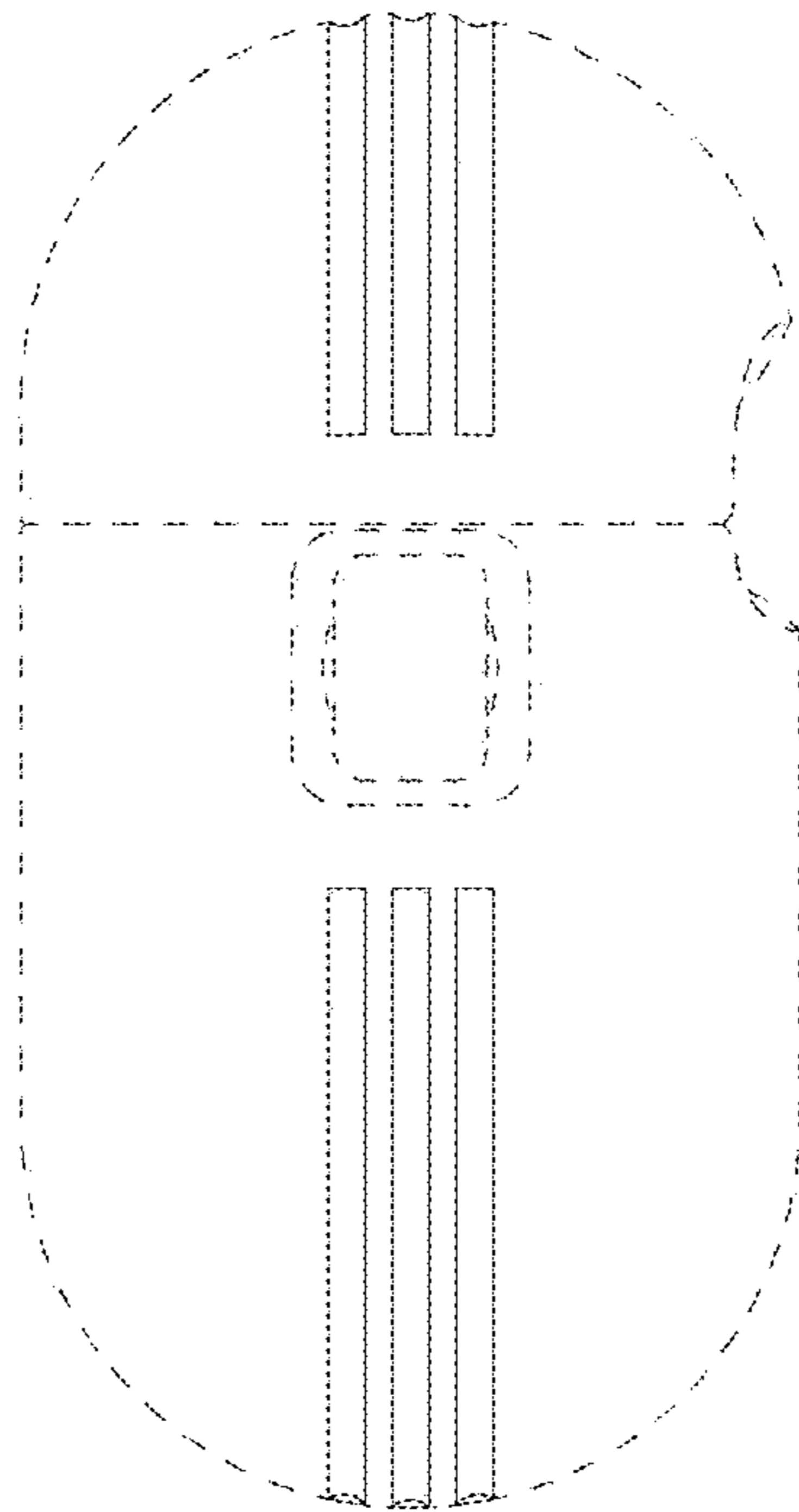


FIG. 7

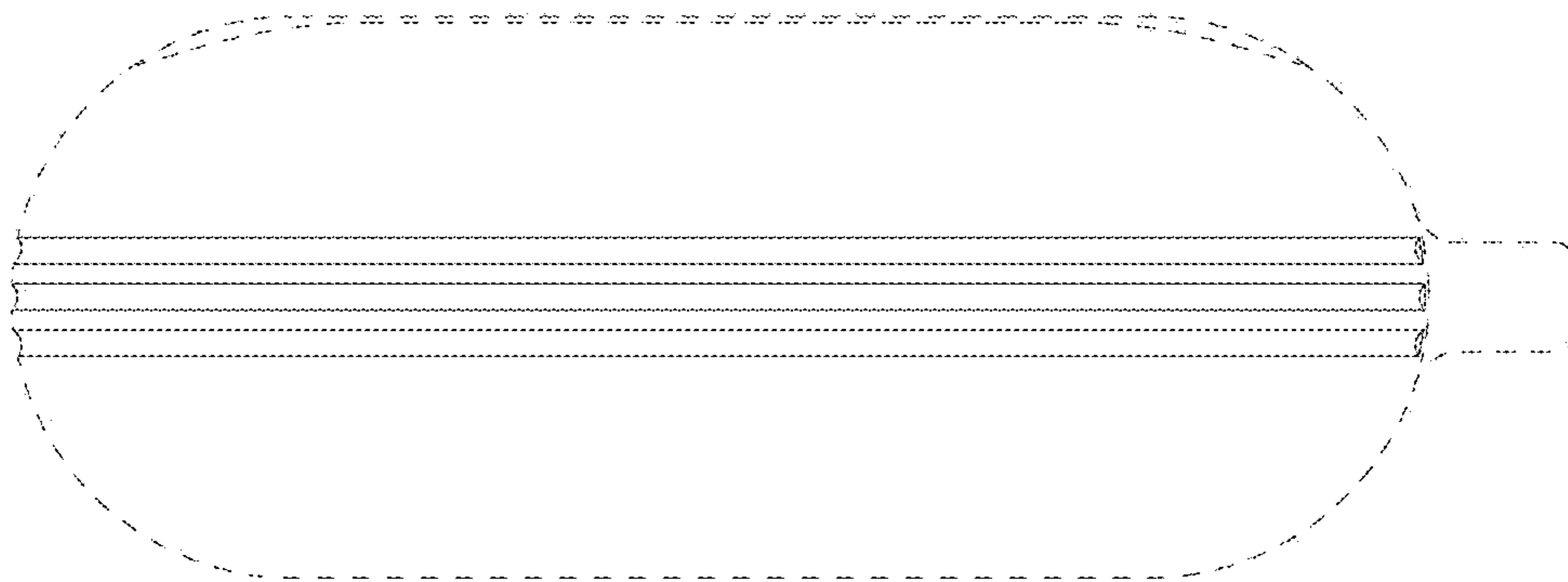


FIG. 8

