



US00D903314S

(12) **United States Design Patent** (10) **Patent No.:** **US D903,314 S**
Liu (45) **Date of Patent:** **** Dec. 1, 2020**

(54) **WALLET FOR CARD, CASH AND CELLPHONE**

Primary Examiner — Holly H Baynham

(71) Applicant: **Ying Liu**, Guangdong (CN)

(57) **CLAIM**

(72) Inventor: **Ying Liu**, Guangdong (CN)

The ornamental design for a wallet for card, cash and cellphone, as shown and described.

(**) Term: **15 Years**

(21) Appl. No.: **29/699,850**

DESCRIPTION

(22) Filed: **Jul. 30, 2019**

(51) **LOC (12) Cl.** **03-01**

(52) **U.S. Cl.**
USPC **D3/249**

(58) **Field of Classification Search**
USPC D3/247, 249–253
CPC A45C 1/06; A45C 11/00; A45C 13/00;
A45C 13/30; A45C 13/10; A45C 13/002;
A45C 13/005

See application file for complete search history.

FIG. 1 is a perspective view of a wallet for card, cash and cellphone showing my new design in a folded position; FIG. 2 is a front elevation view of FIG. 1; FIG. 3 is a rear elevation view of FIG. 1; FIG. 4 is a right side elevation view of FIG. 1; FIG. 5 is a left side elevation view of FIG. 1; FIG. 6 is a top plan view of FIG. 1; FIG. 7 is a bottom plan view of FIG. 1; FIG. 8 is a front elevation view thereof, showing my new design in a unfolded position; FIG. 9 is another elevation view thereof, showing my new design in a unfolded position; FIG. 10 is an exploded view of FIG. 9; FIG. 11 is another exploded view of FIG. 9, showing the rear view of the phone case; FIG. 12 is a perspective view thereof, showing my new design in a unfolded position; FIG. 13 is a perspective view thereof, showing my new design in a unfolded position; and, FIG. 14 is a perspective view thereof, showing my new design in a unfolded position. The broken lines in the figures depict stitching lines which form no part of the claimed design.

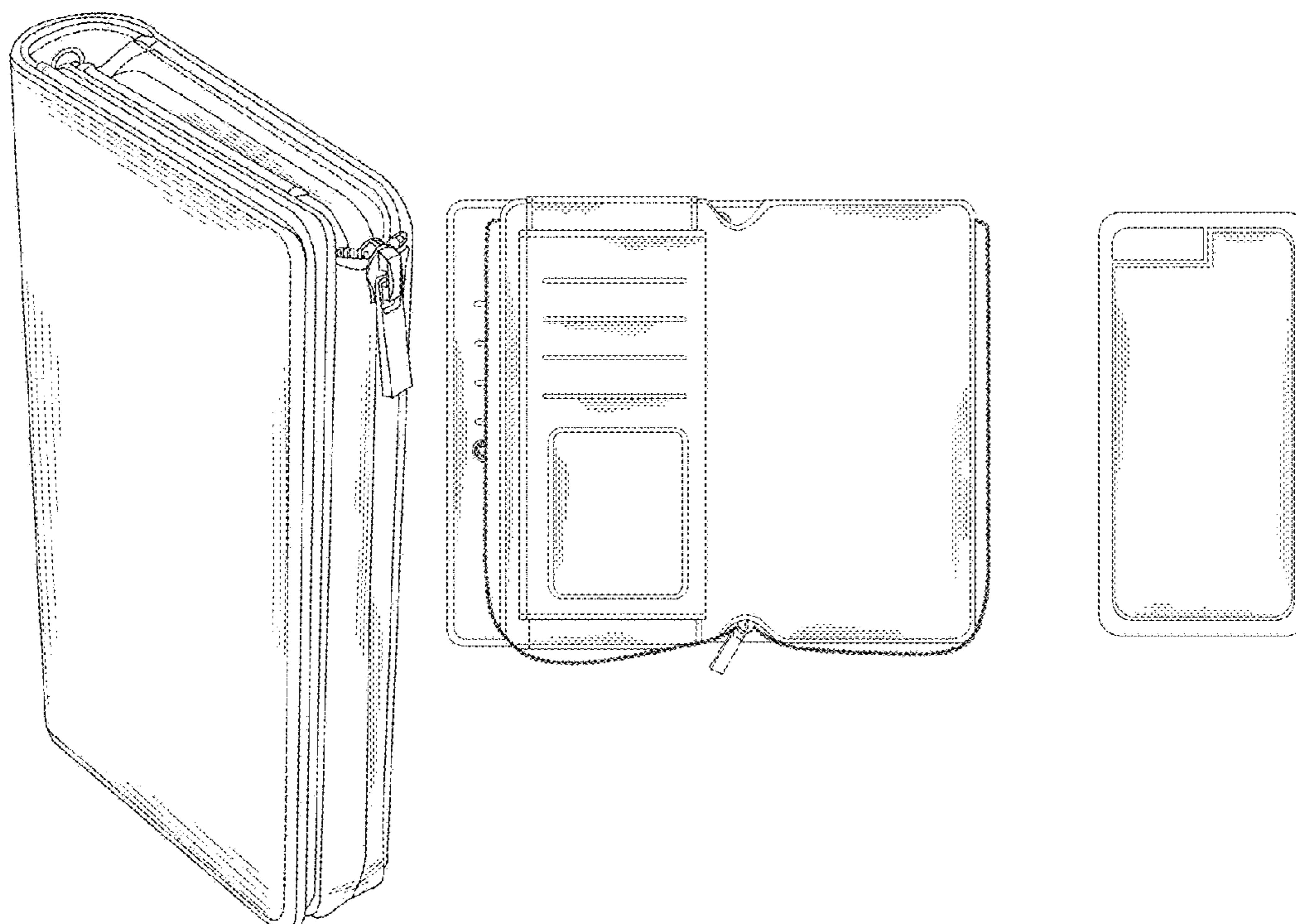
(56) **References Cited**

U.S. PATENT DOCUMENTS

D202,756 S *	11/1965	Schelessinger	D3/249
D482,162 S *	11/2003	Bostroem	D28/77
D610,346 S *	2/2010	Eriksen	D3/247
D698,148 S *	1/2014	Sassi	D3/247
9,241,551 B2 *	1/2016	Lawson	G06F 1/1626
D794,952 S *	8/2017	Feng	D3/247
D803,558 S *	11/2017	Liu	D3/247
D804,815 S *	12/2017	Chen	D3/247
D858,984 S *	9/2019	Zucco	D3/247
D866,179 S *	11/2019	Zhao	D3/249

* cited by examiner

1 Claim, 14 Drawing Sheets



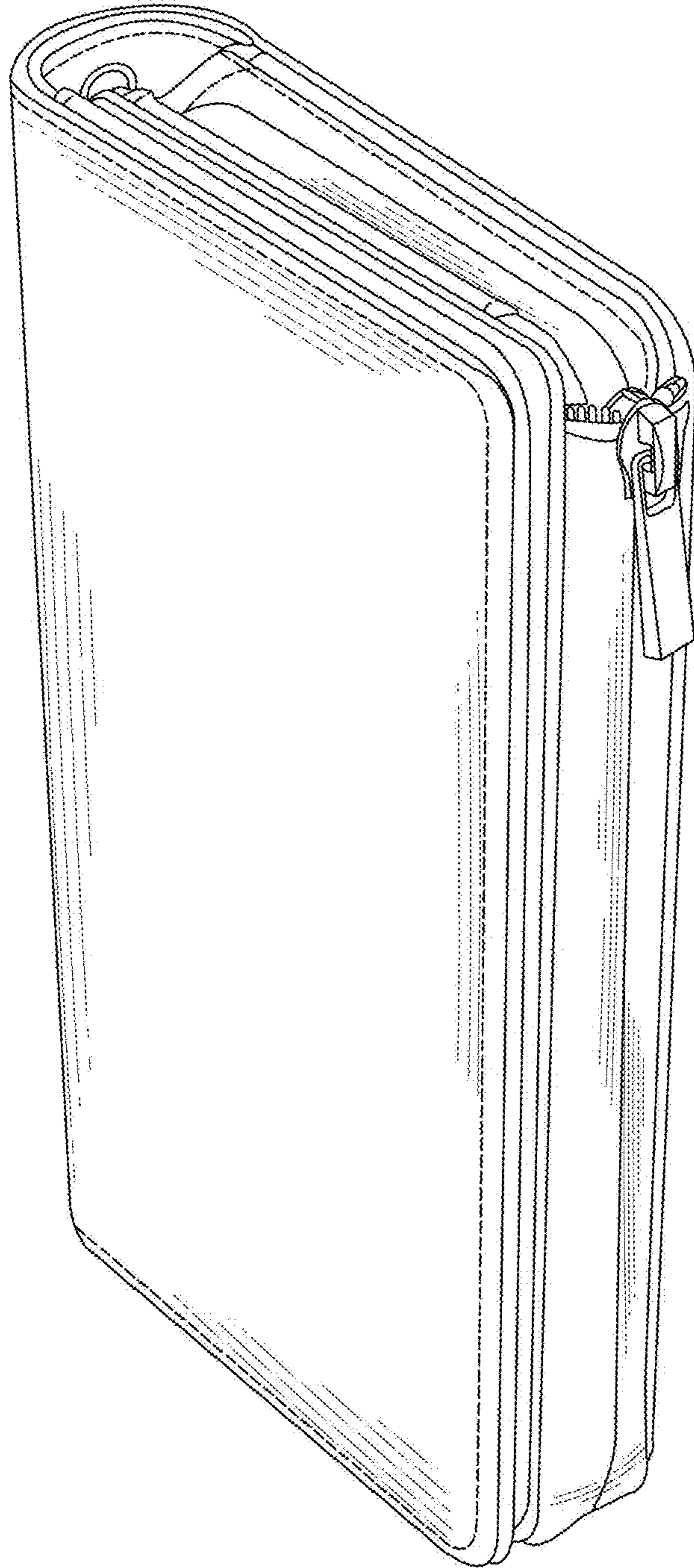


FIG.1

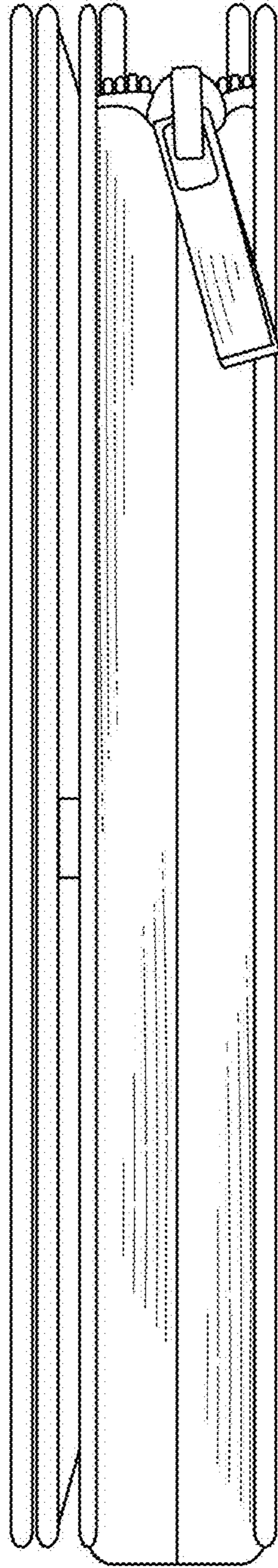


FIG.2

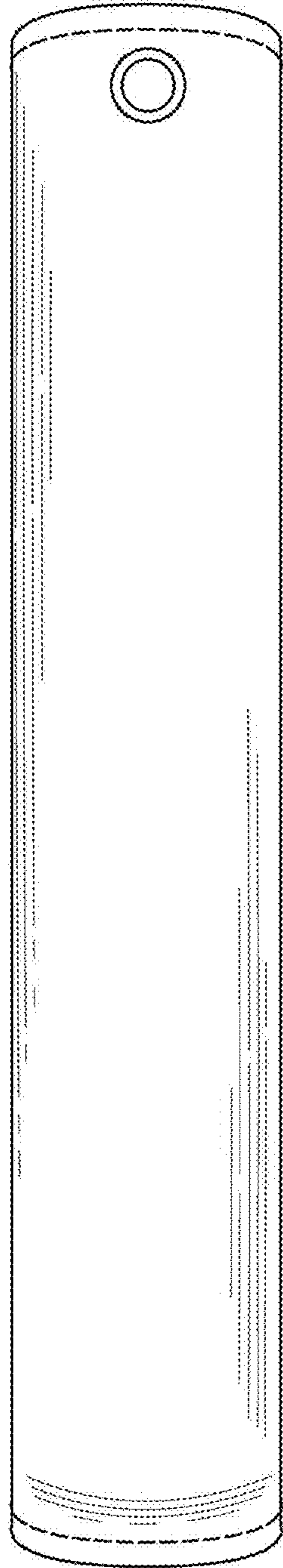


FIG.3

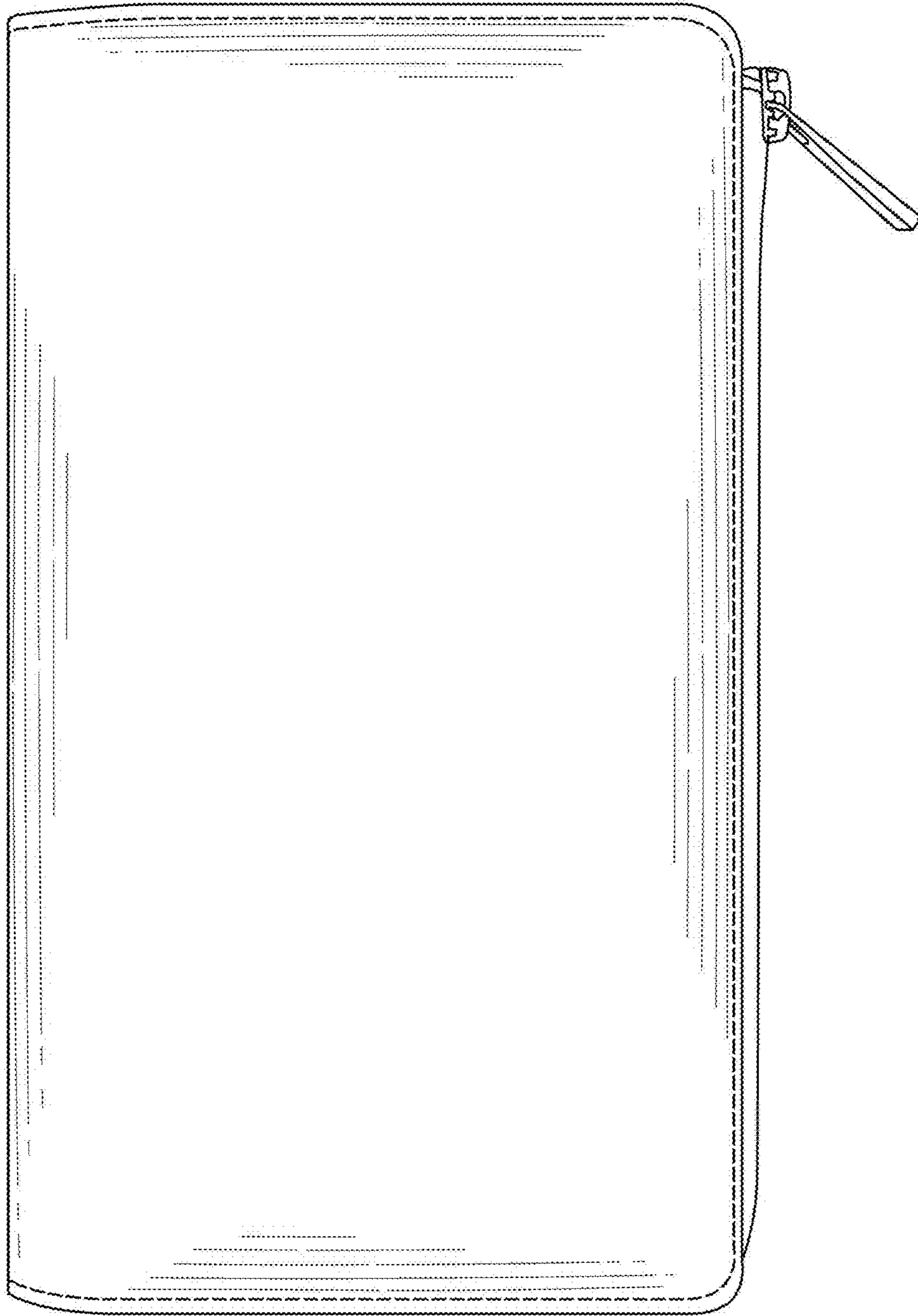


FIG.4

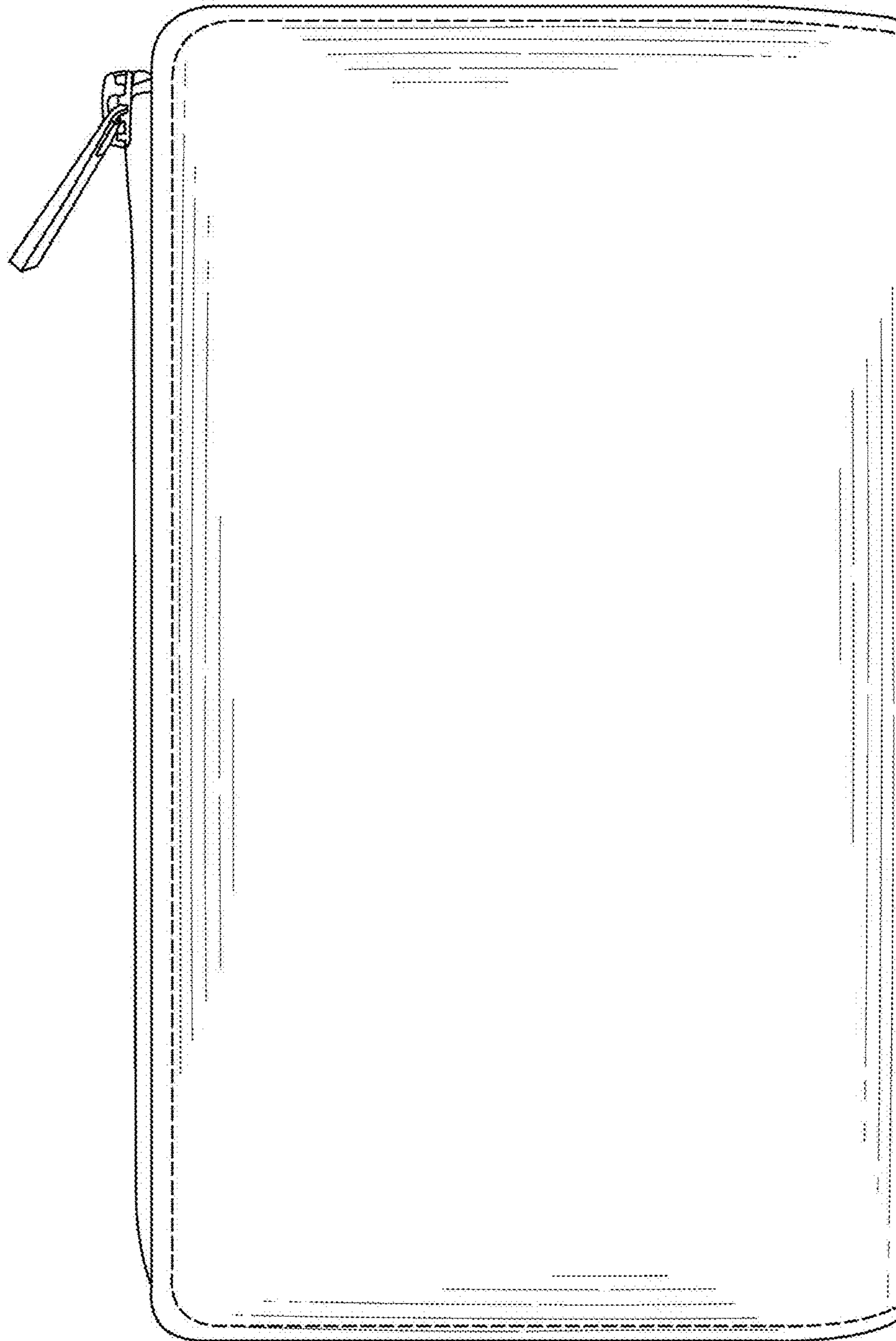


FIG. 5

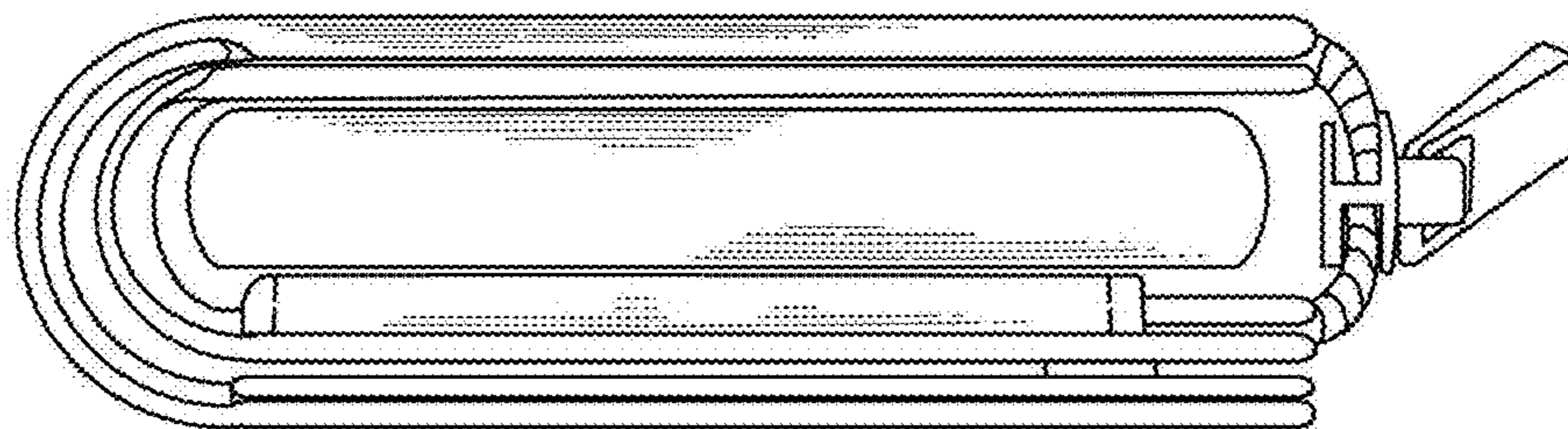


FIG. 6



FIG. 7

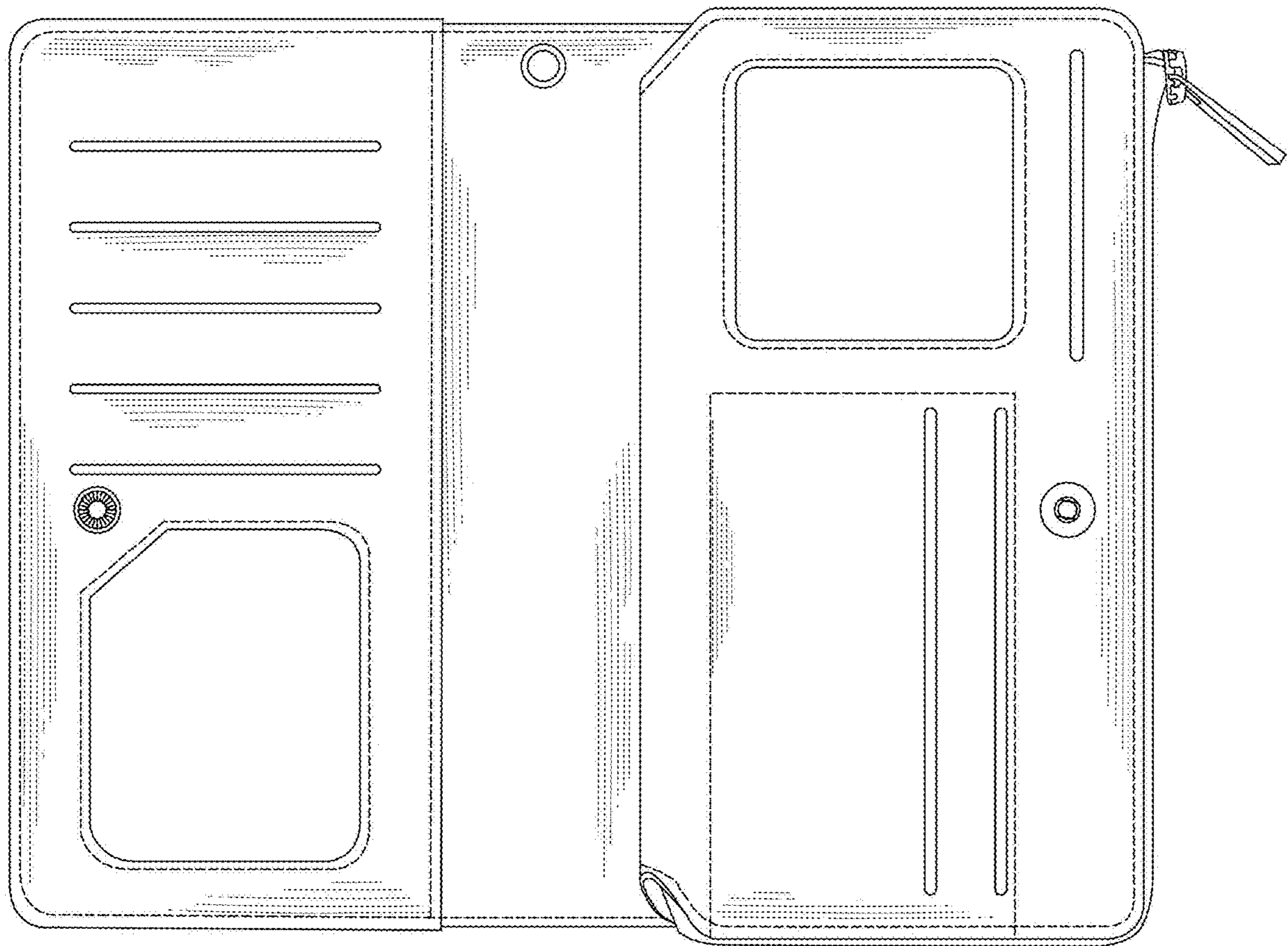


FIG. 8

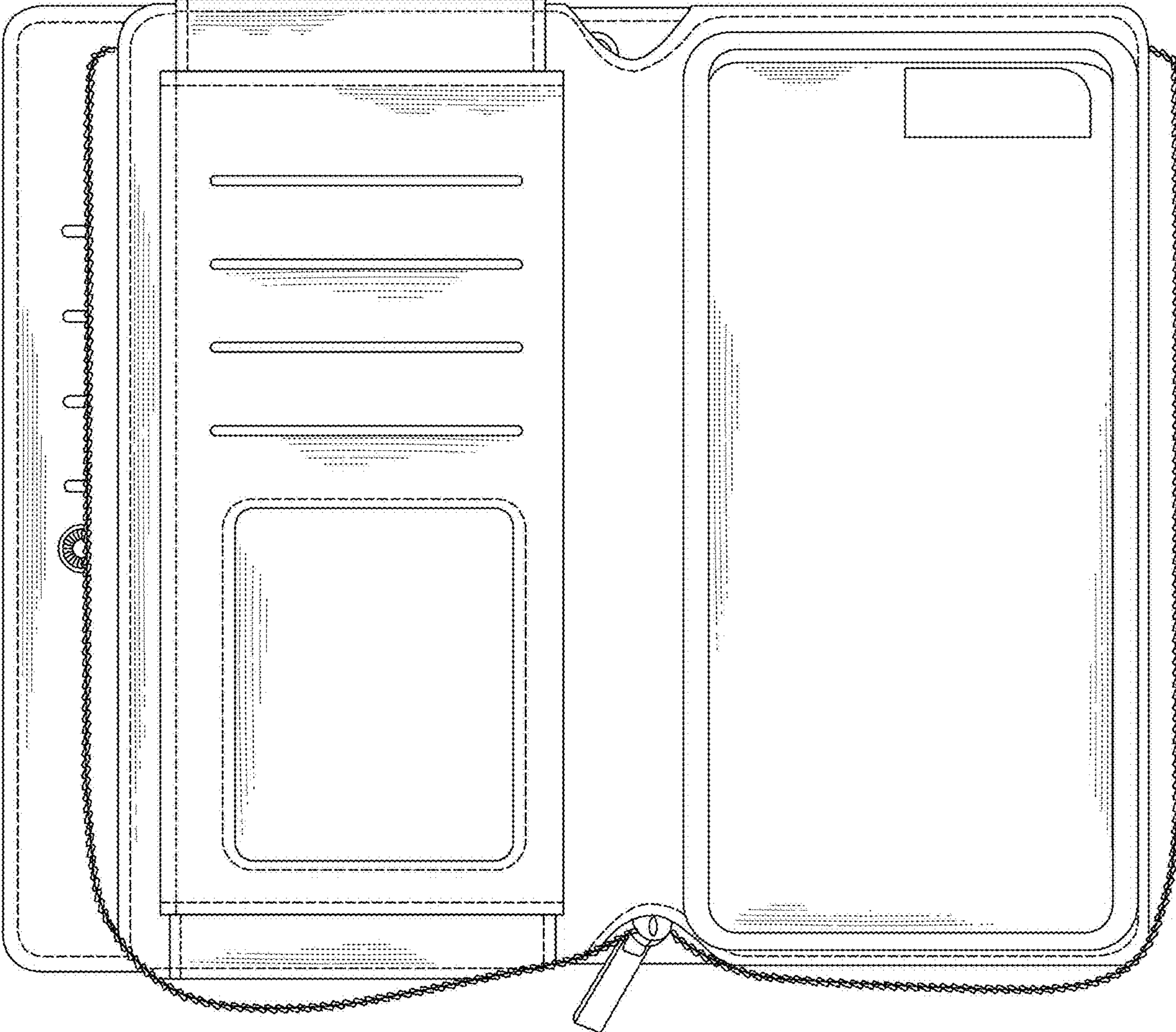


FIG. 9

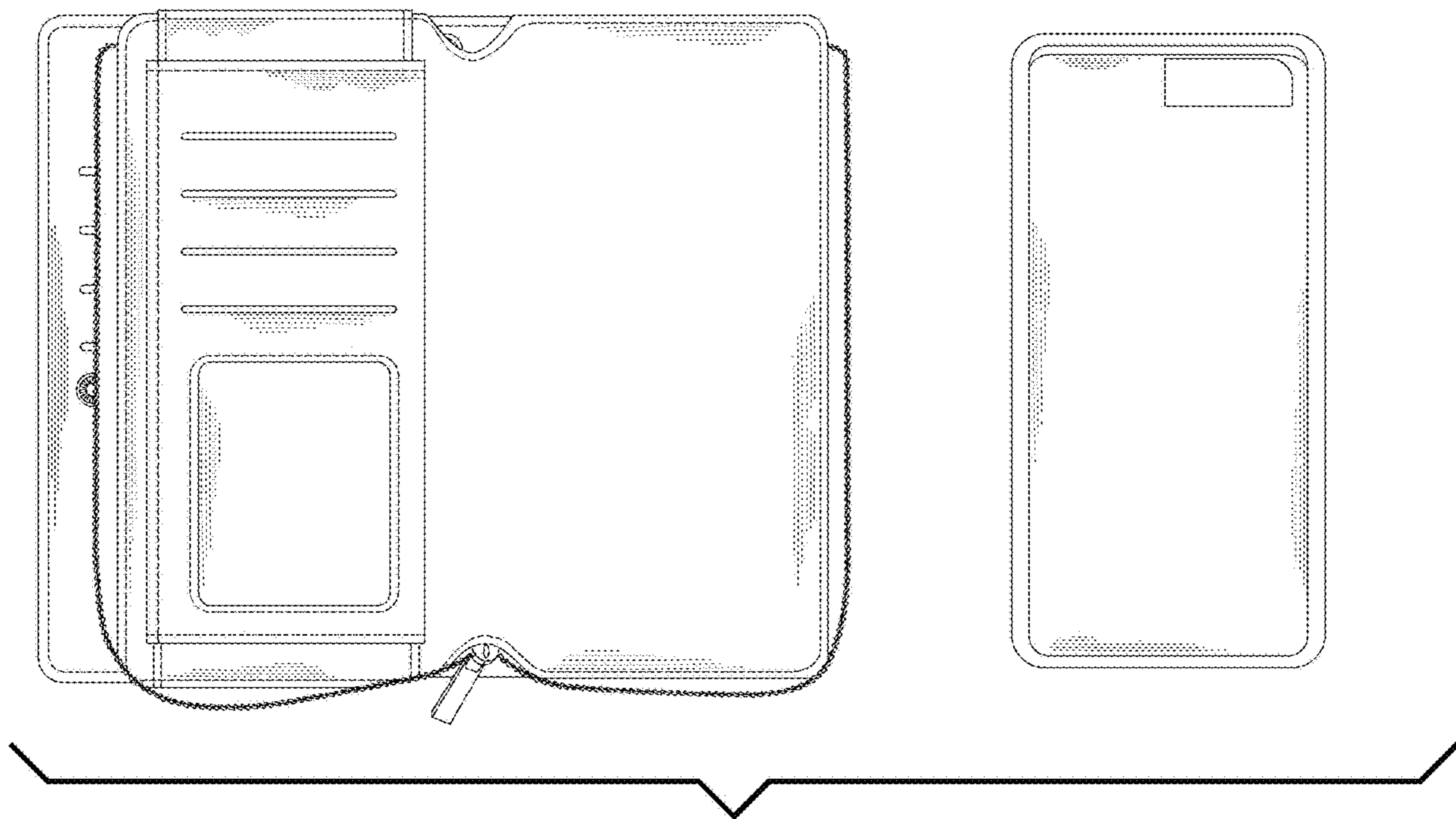


FIG. 10

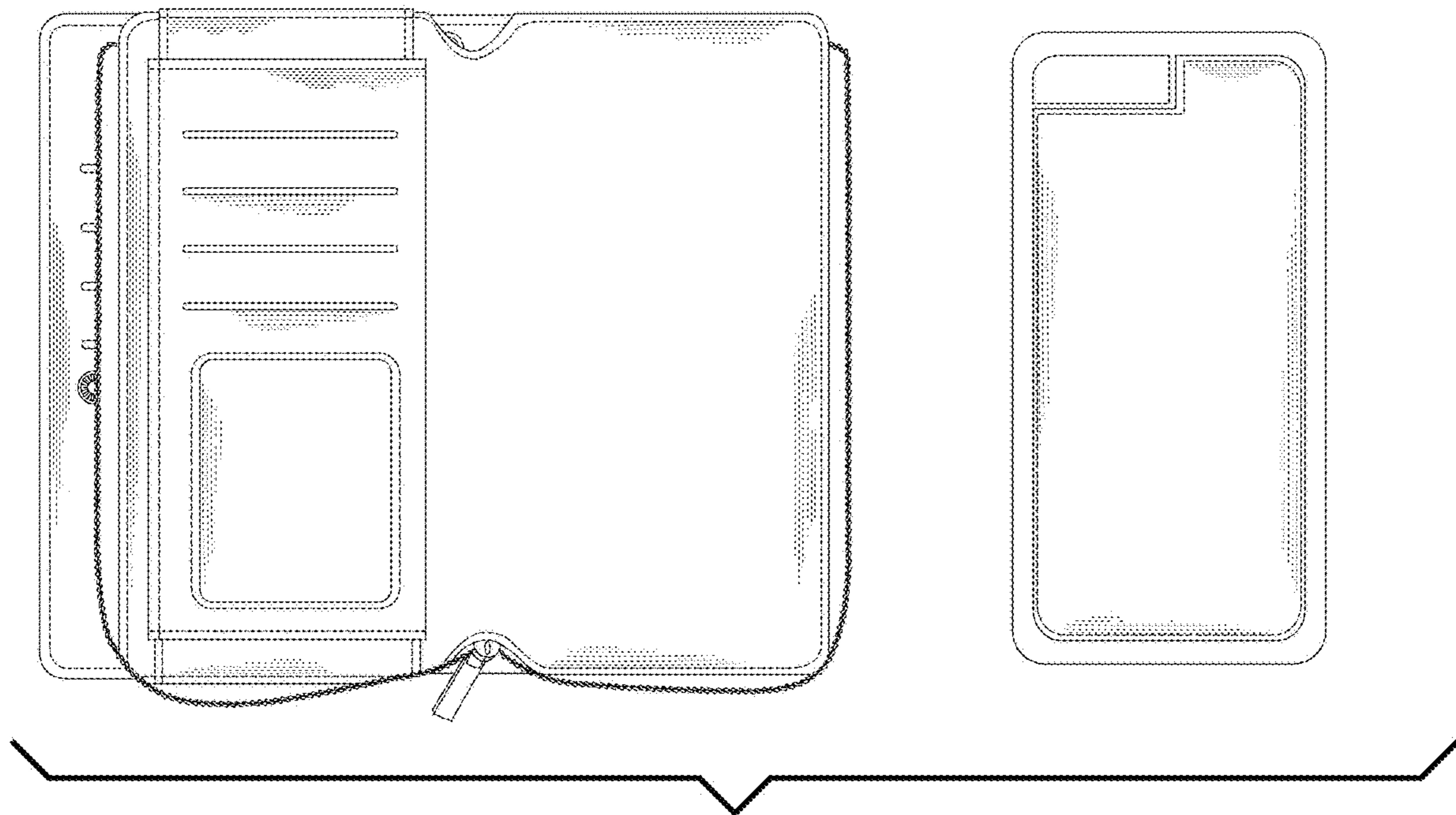


FIG. 11

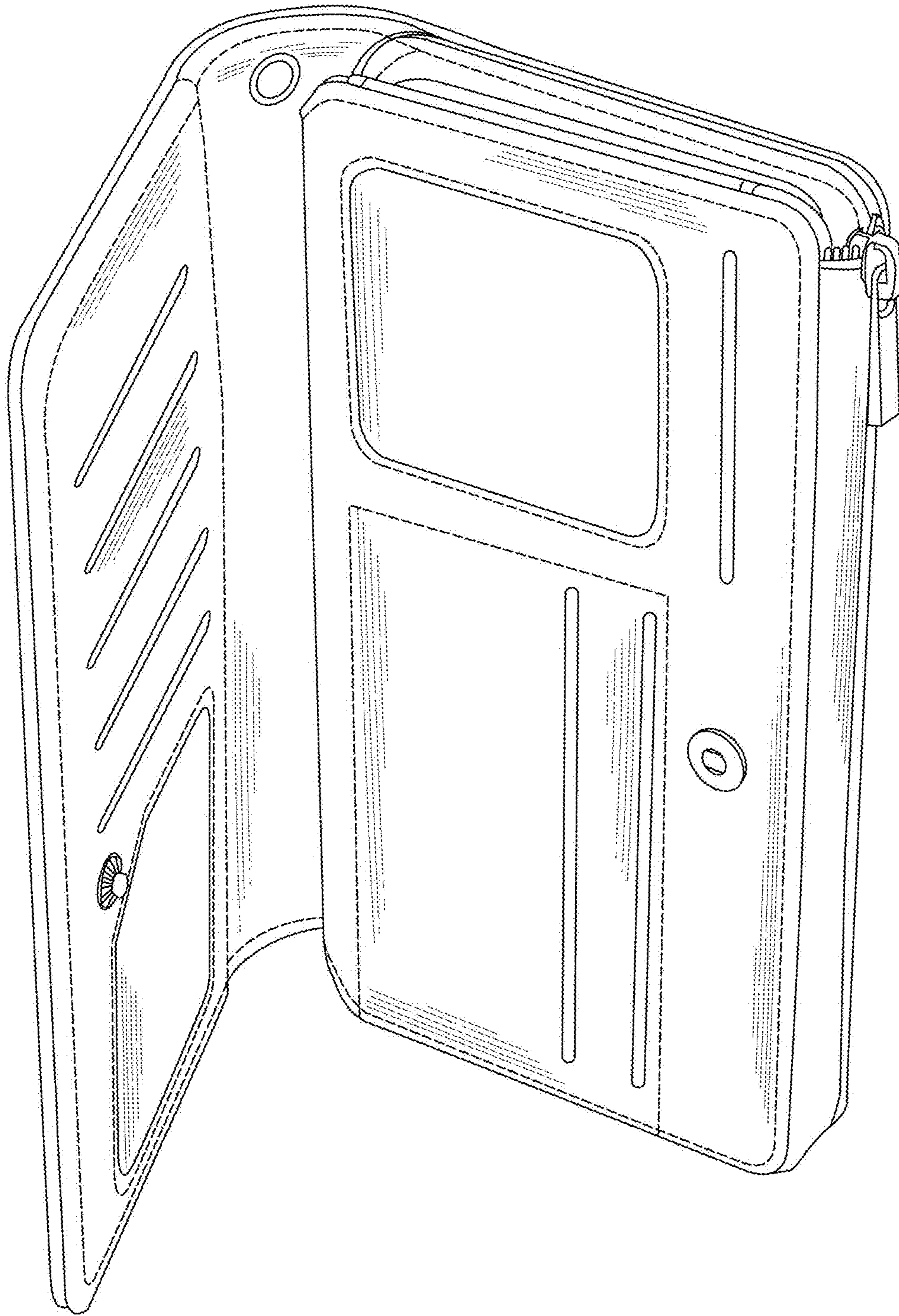


FIG. 12

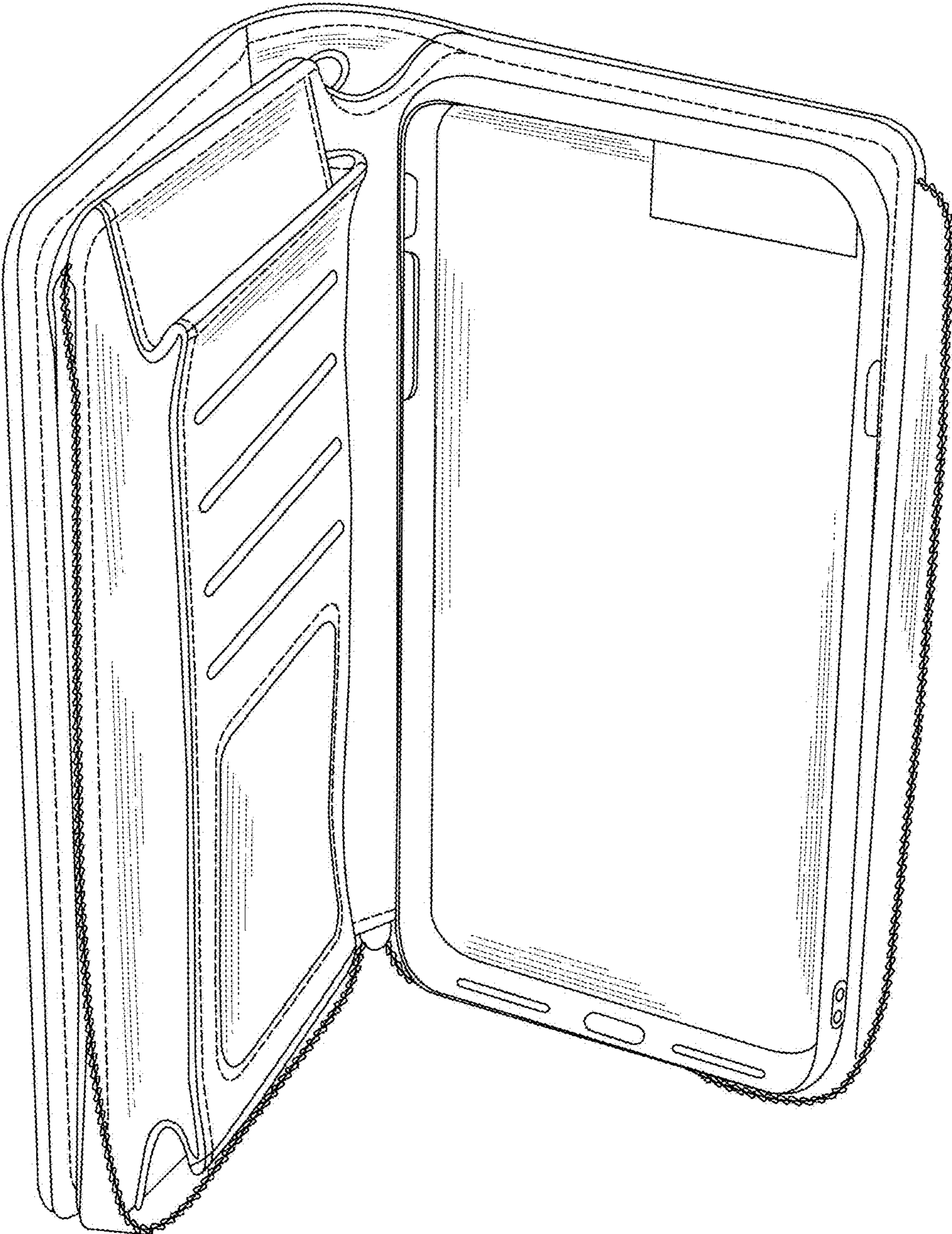


FIG. 13

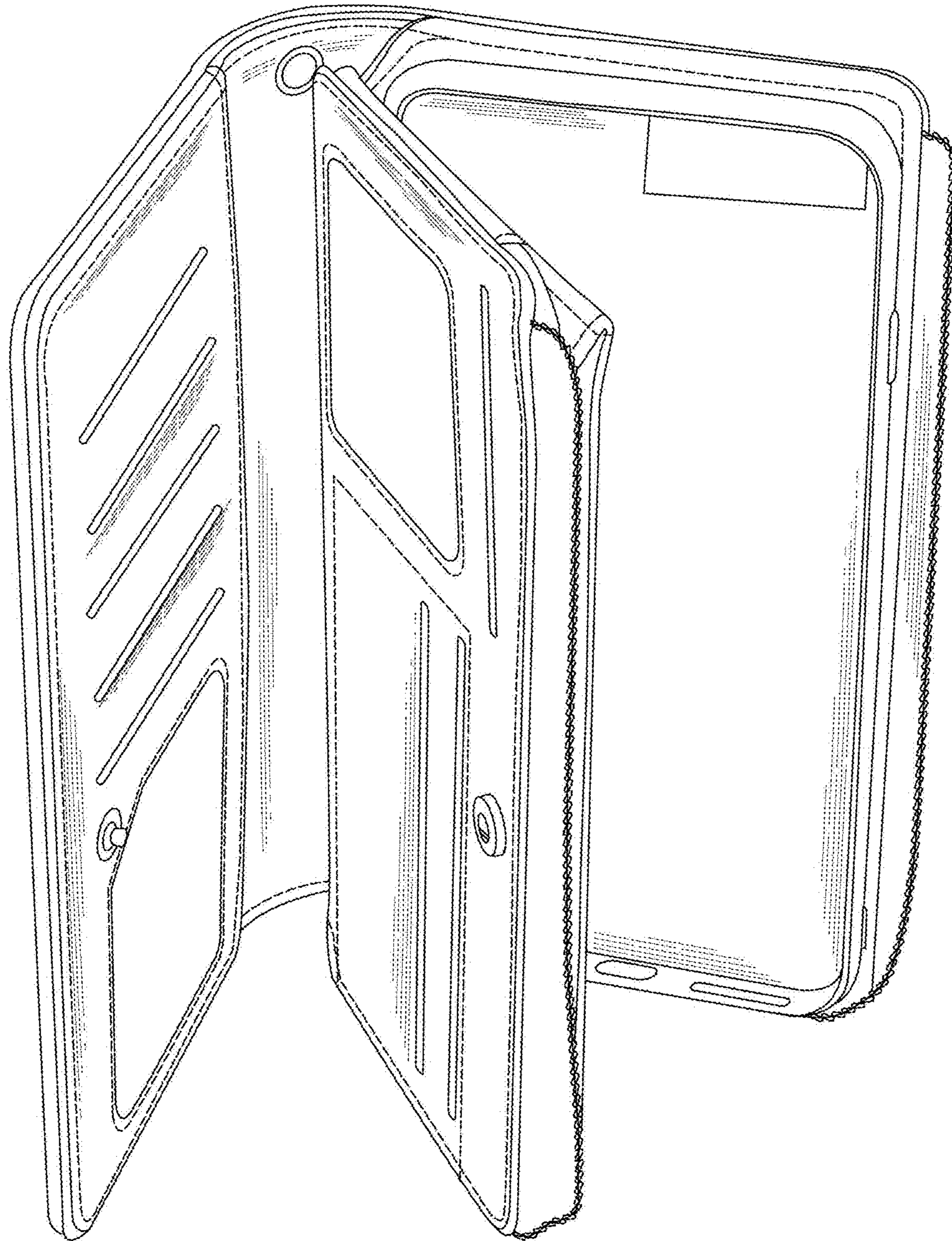


FIG. 14