



US00D903313S

(12) **United States Design Patent** (10) **Patent No.:** **US D903,313 S**
Huang et al. (45) **Date of Patent:** **** Dec. 1, 2020**

(54) **CARD CASE**
(71) Applicant: **DONGGUAN CASEKEY INDUSTRY CO., LTD**, Dongguan (CN)
(72) Inventors: **Haiyan Huang**, Dongguan (CN); **Youguo Zhou**, Dongguan (CN)
(**) Term: **15 Years**
(21) Appl. No.: **29/713,192**
(22) Filed: **Nov. 14, 2019**
(51) **LOC (12) Cl.** **03-01**
(52) **U.S. Cl.**
USPC **D3/247**
(58) **Field of Classification Search**
USPC D3/247, 249-253
CPC A45C 1/06; A45C 3/08; G06Q 20/354
See application file for complete search history.

D697,308 S * 1/2014 Daniel D3/249
D697,715 S 1/2014 Dietrich
D725,381 S * 3/2015 Zhang D3/218
9,311,638 B1 * 4/2016 Daniel G06Q 20/354

* cited by examiner

Primary Examiner — Holly H Baynham
(74) *Attorney, Agent, or Firm* — Erson IP (Nelson IP)

(57) **CLAIM**

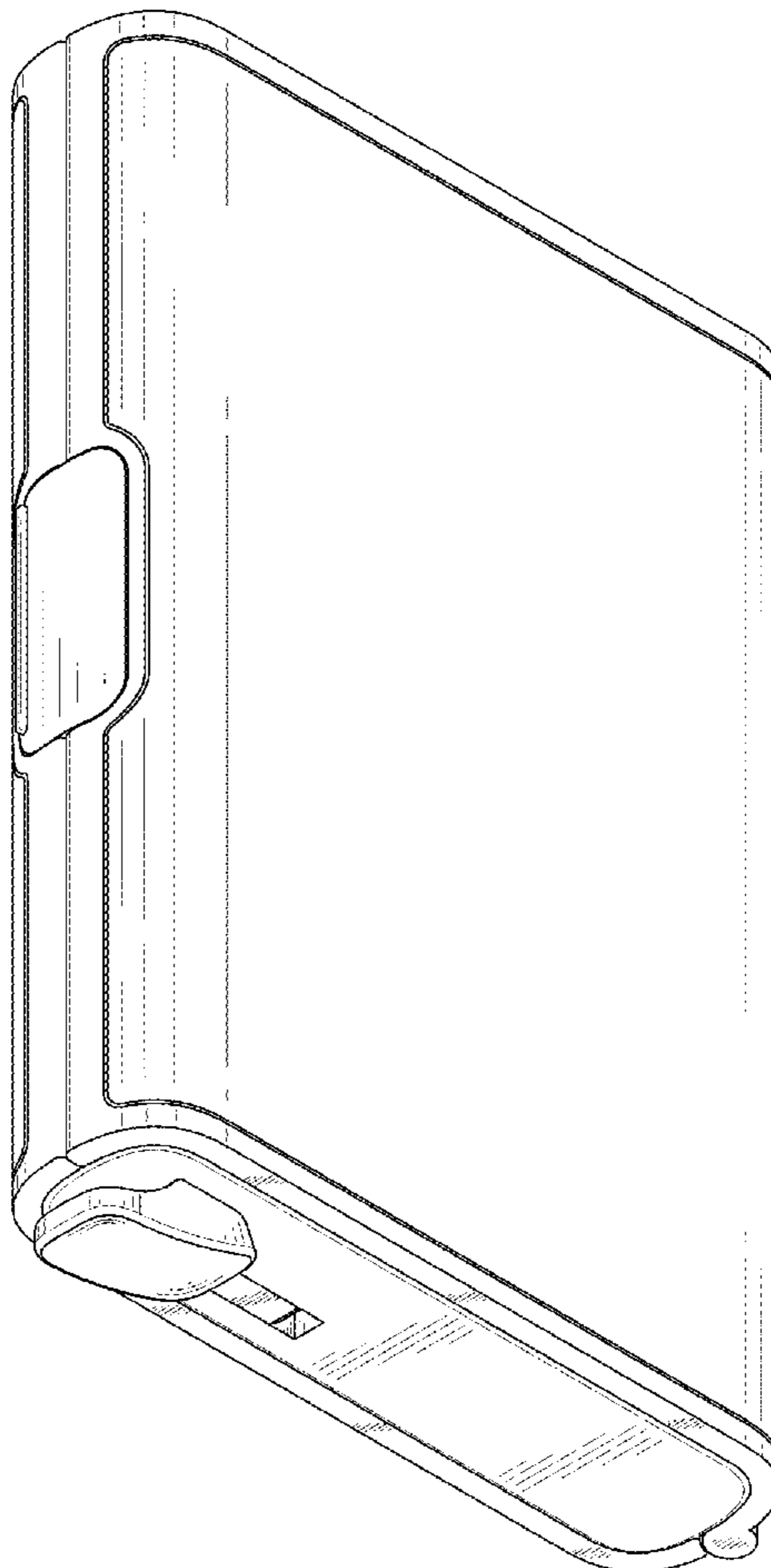
The ornamental design for a card case, as shown and described.

DESCRIPTION

FIG. 1 is a perspective view of a first embodiment of a card case showing my new design;
FIG. 2 is a front view thereof;
FIG. 3 is a rear view thereof;
FIG. 4 is a left side view thereof;
FIG. 5 is a right side view thereof;
FIG. 6 is a top plan view thereof;
FIG. 7 is a bottom plan view thereof;
FIG. 8 is a perspective view thereof of open state; and
FIG. 9 is another perspective view thereof of open state.
The broken lines are for the purposes of illustrating portions of the card case and form no part of the claimed design.

1 Claim, 9 Drawing Sheets

(56) **References Cited**
U.S. PATENT DOCUMENTS
D283,950 S * 5/1986 Markowitz D18/11
D461,318 S 8/2002 Ueno
D557,497 S * 12/2007 Fedon D3/247
D696,015 S * 12/2013 Daniel D3/249



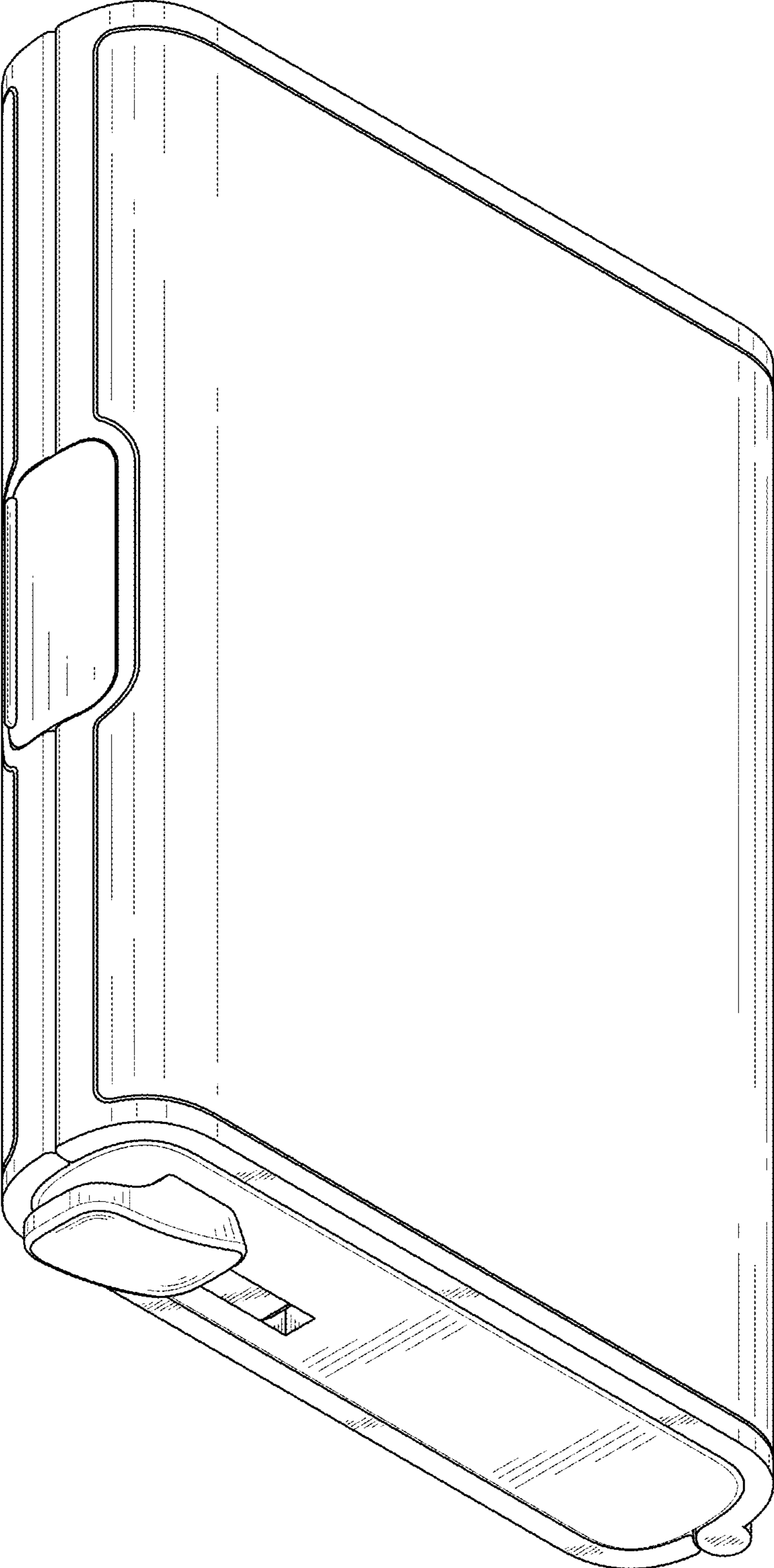


FIG. 1

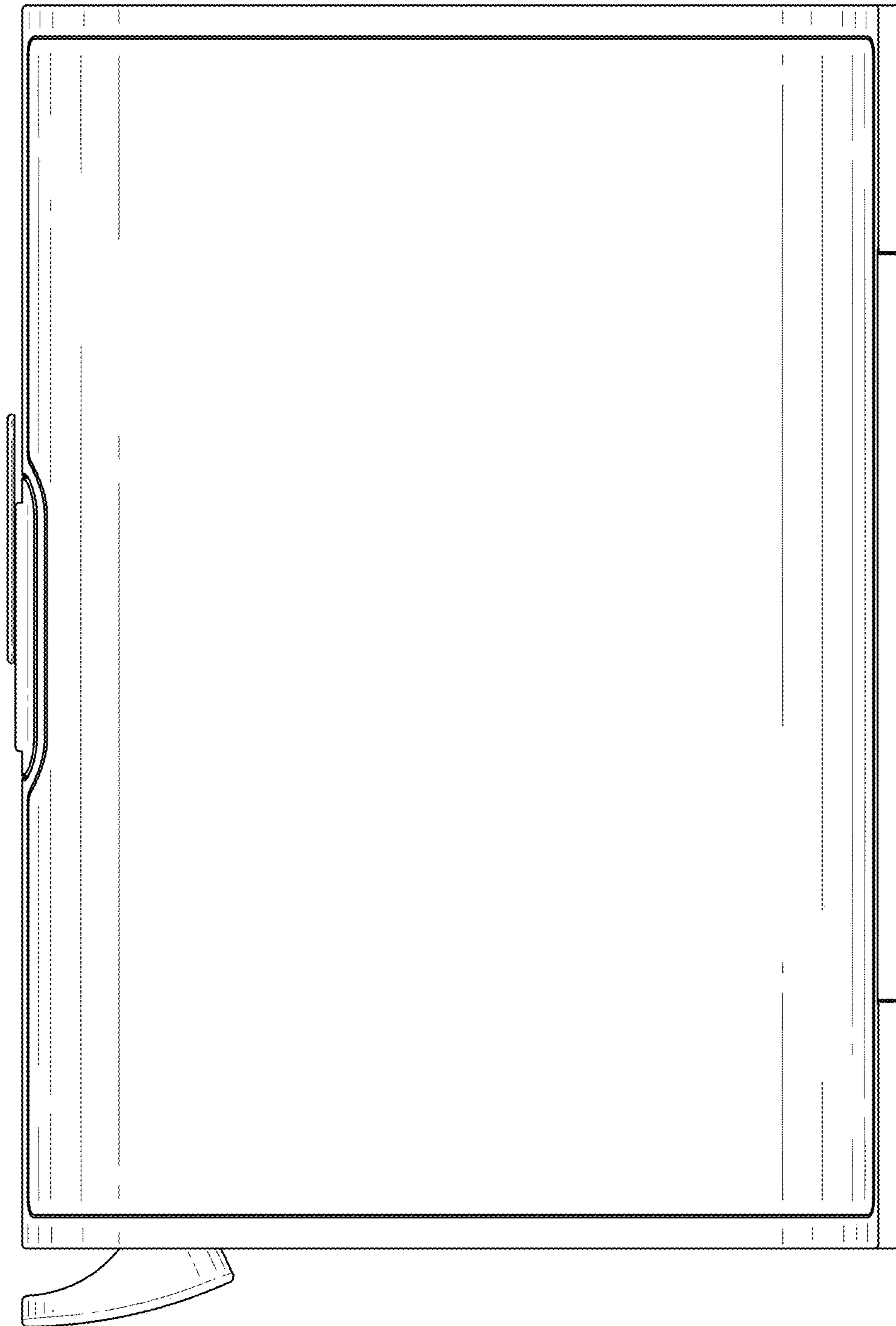


FIG. 2

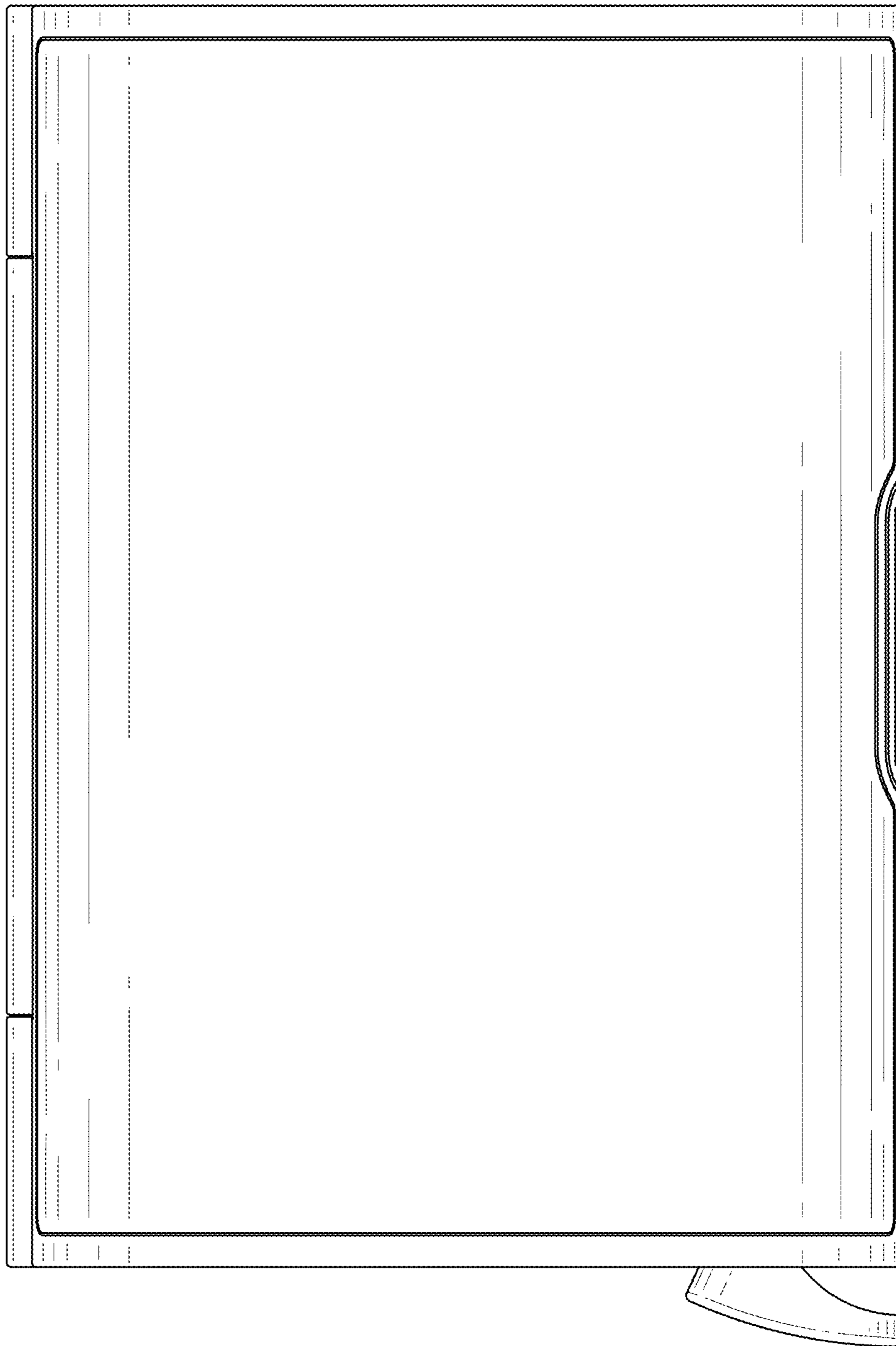


FIG. 3

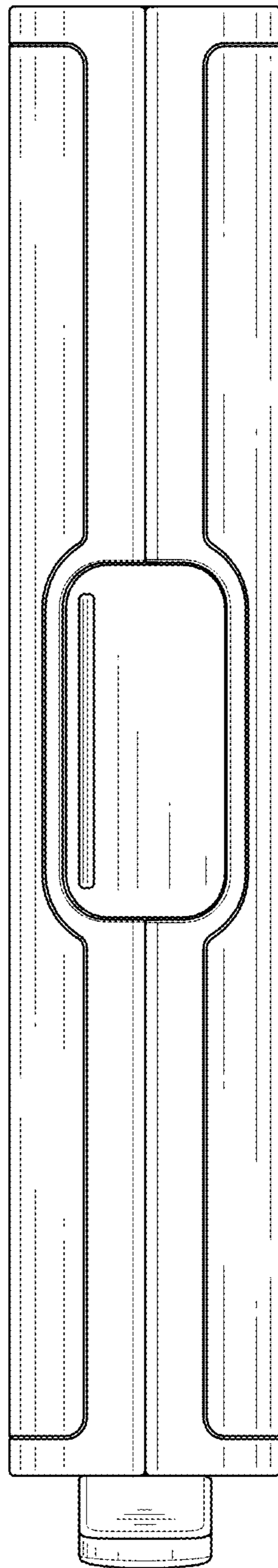


FIG. 4

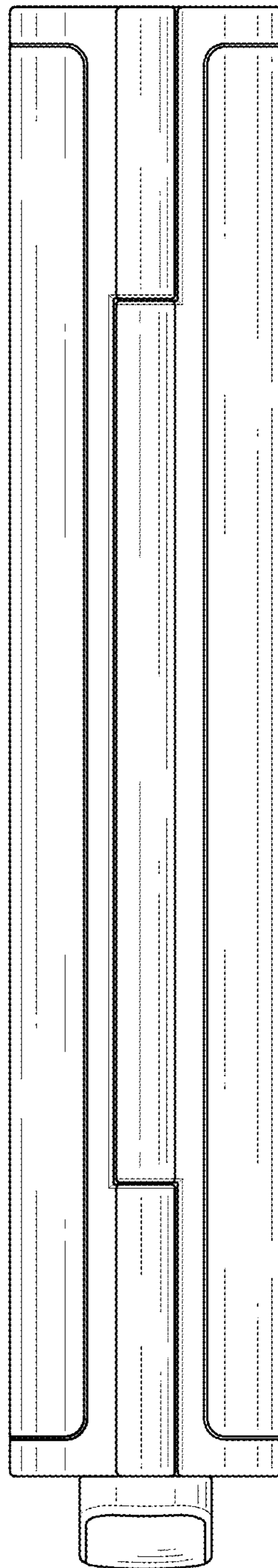


FIG. 5

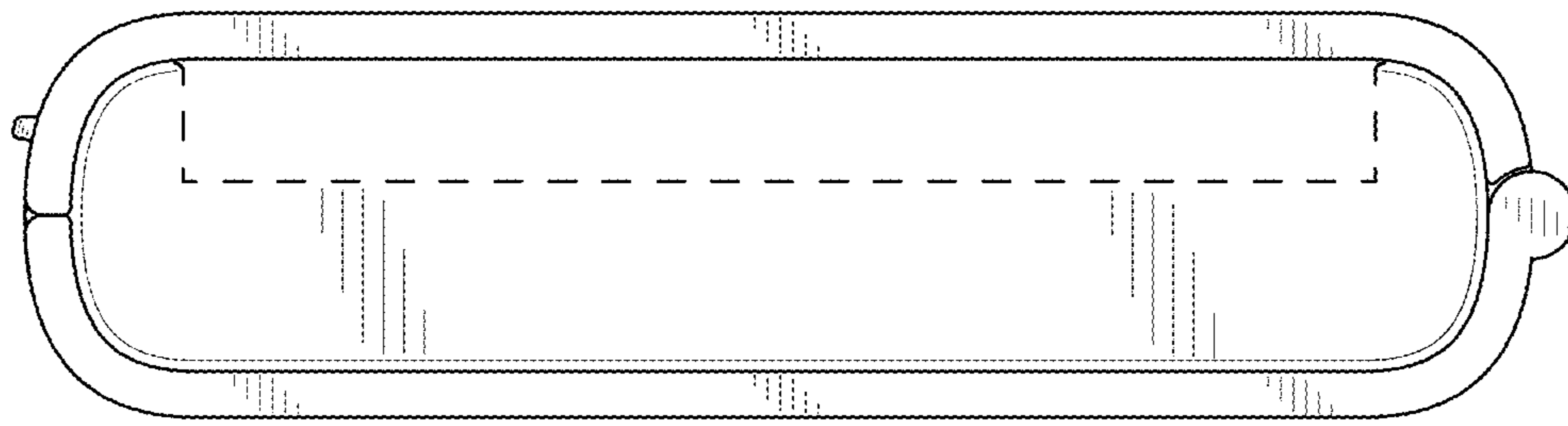


FIG. 6

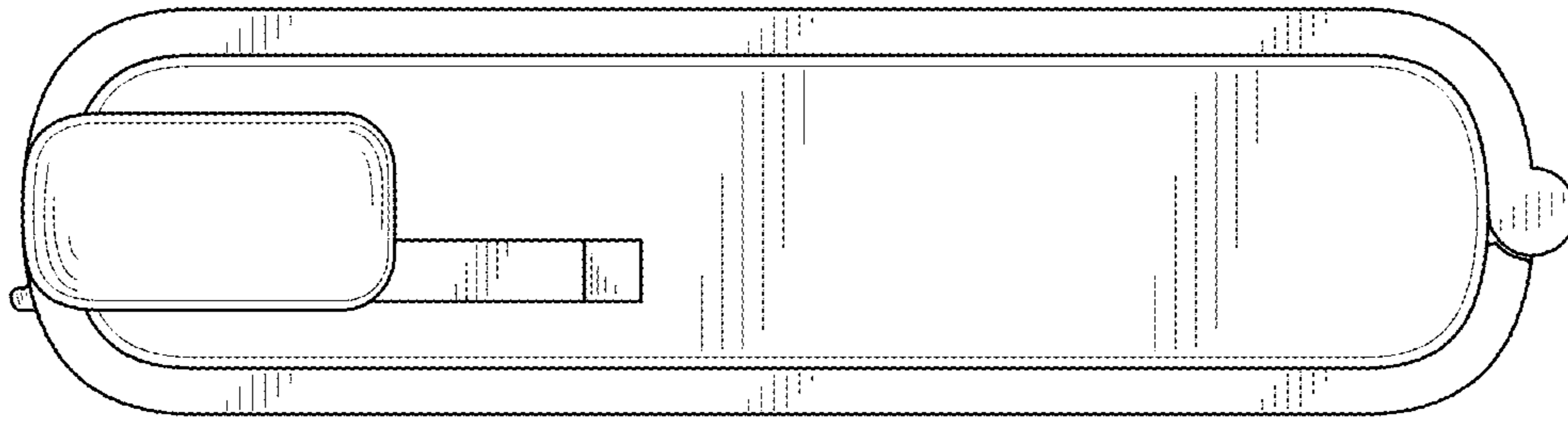


FIG. 7

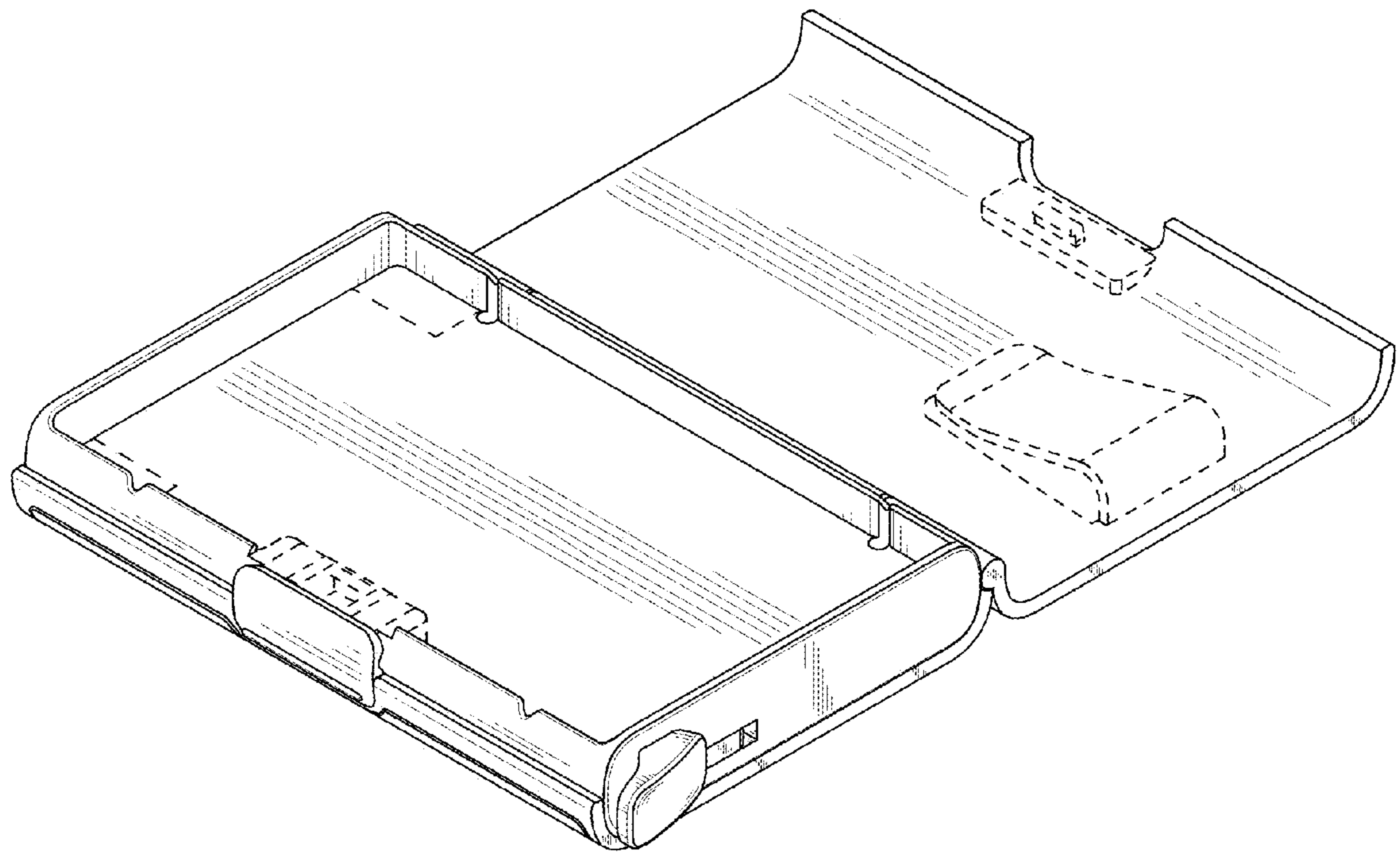


FIG. 8

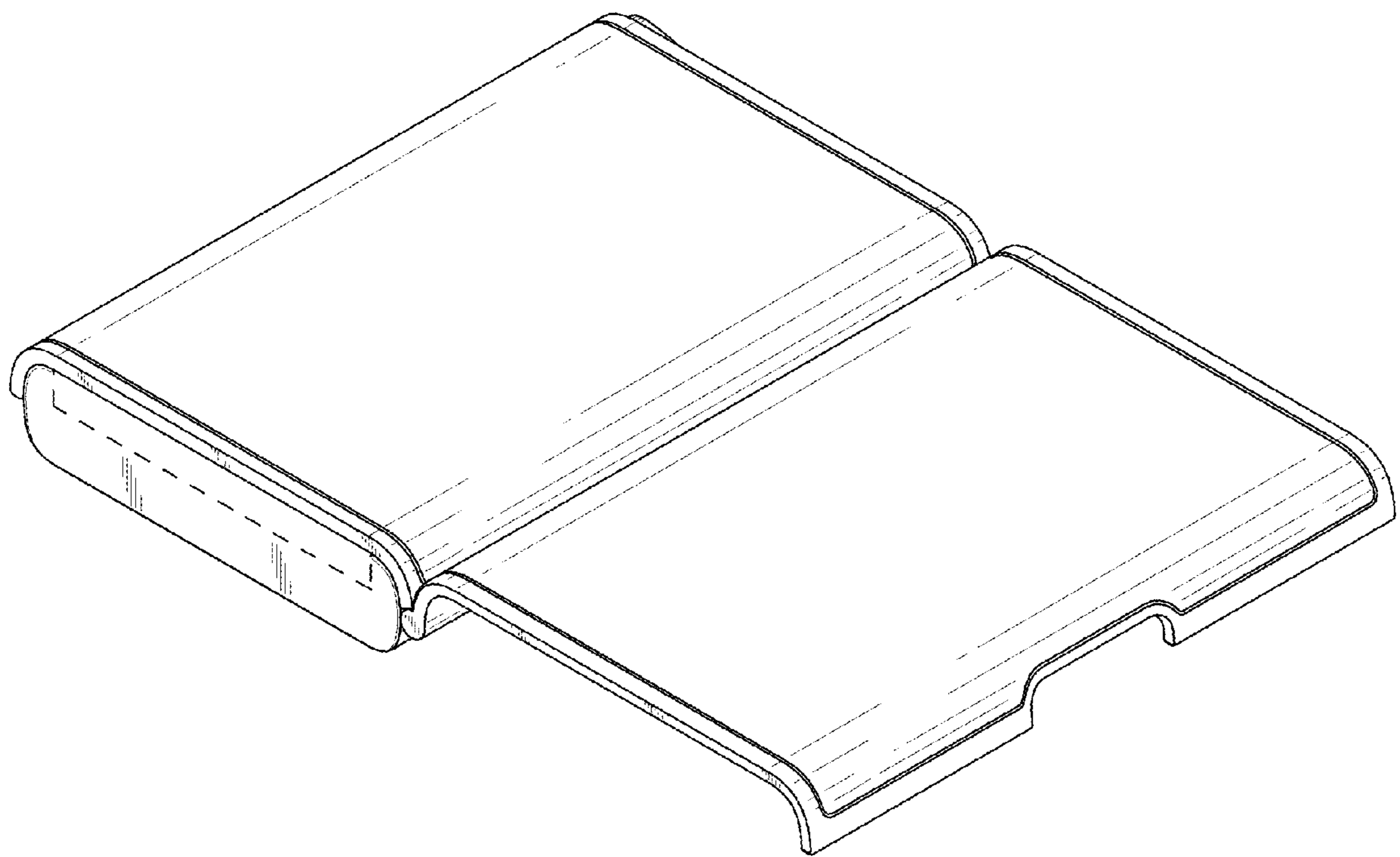


FIG. 9