



US00D903308S

(12) **United States Design Patent** (10) **Patent No.:** **US D903,308 S**  
**Xu** (45) **Date of Patent:** **\*\* Dec. 1, 2020**

(54) **HANDGUN HOLSTER WITH TRIGGER GUARD AND BELT CLIP**

(71) Applicant: **Ye Xu**, Sugar Land, TX (US)

(72) Inventor: **Ye Xu**, Sugar Land, TX (US)

(\*\*) Term: **15 Years**

(21) Appl. No.: **29/697,648**

(22) Filed: **Jul. 10, 2019**

(51) **LOC (12) Cl.** ..... **03-01**

(52) **U.S. Cl.**

USPC ..... **D3/222**

(58) **Field of Classification Search**

USPC ..... D3/222-223; 224/911-912, 191-193, 224/238-240, 243, 198-199, 244-245

CPC .. F41C 33/02; F41C 33/0263; F41C 33/0227; F41C 33/0245; F41C 33/04; F41A 17/54;

Y10S 224/911

See application file for complete search history.

(56) **References Cited**

**U.S. PATENT DOCUMENTS**

5,275,317 A \* 1/1994 Rogers ..... F41C 33/0209

224/244

5,810,221 A \* 9/1998 Beletsky ..... F41C 33/0227

224/244

D651,792 S \* 1/2012 Holiwell ..... D3/222

2006/0175366 A1\* 8/2006 Dekaise ..... F41C 33/0227

224/243

2012/0292356 A1\* 11/2012 Gregory ..... F41C 33/045

224/269

2013/0240582 A1\* 9/2013 Tyybakinoja ..... F41C 33/0263

224/244

2014/0291363 A1\* 10/2014 Clifton, Jr. .... F41C 33/0263

224/244

\* cited by examiner

*Primary Examiner* — Catherine R Oliver-Garcia

(74) *Attorney, Agent, or Firm* — Benjamin Aaron Adler

(57) **CLAIM**

The ornamental design for a handgun holster with trigger guard and belt clip, as shown and described.

**DESCRIPTION**

FIG. 1 is a front view of the handgun holster with trigger guard and belt clip showing the trigger guard in an open position of use.

FIG. 2 is a rear view of thereof;

FIG. 3 is a rear, top and left side perspective view thereof;

FIG. 4 is a right side view thereof;

FIG. 5 is a left side view thereof;

FIG. 6 is a top view thereof;

FIG. 7 is a bottom view thereof;

FIG. 8 is a front view of the handgun holster with trigger guard and belt clip showing the trigger guard in a closed position of use;

FIG. 9 is a rear view thereof;

FIG. 10 is a rear, bottom and right side perspective view thereof;

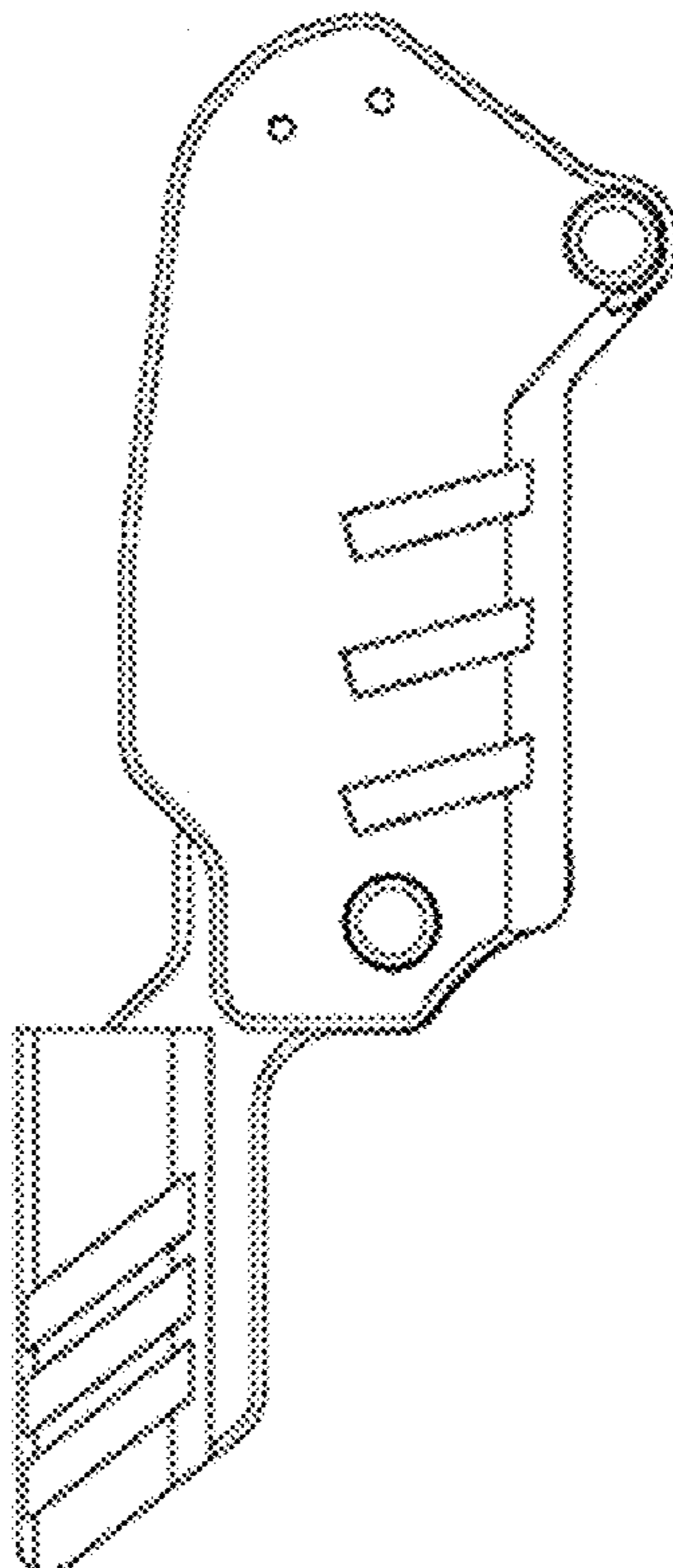
FIG. 11 is a left side view thereof;

FIG. 12 is a right side view thereof;

FIG. 13 is a top view thereof; and,

FIG. 14 is a bottom view thereof.

**1 Claim, 6 Drawing Sheets**



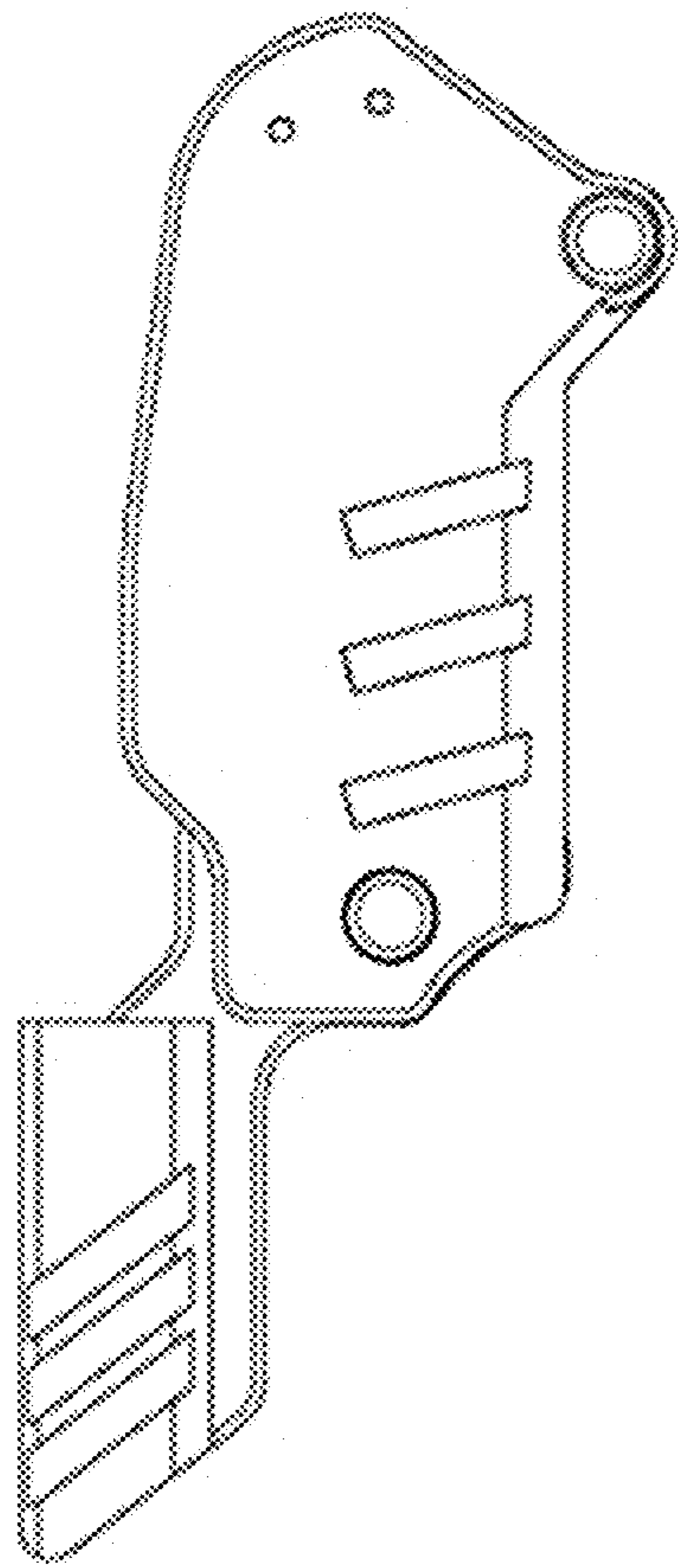


FIG. 1

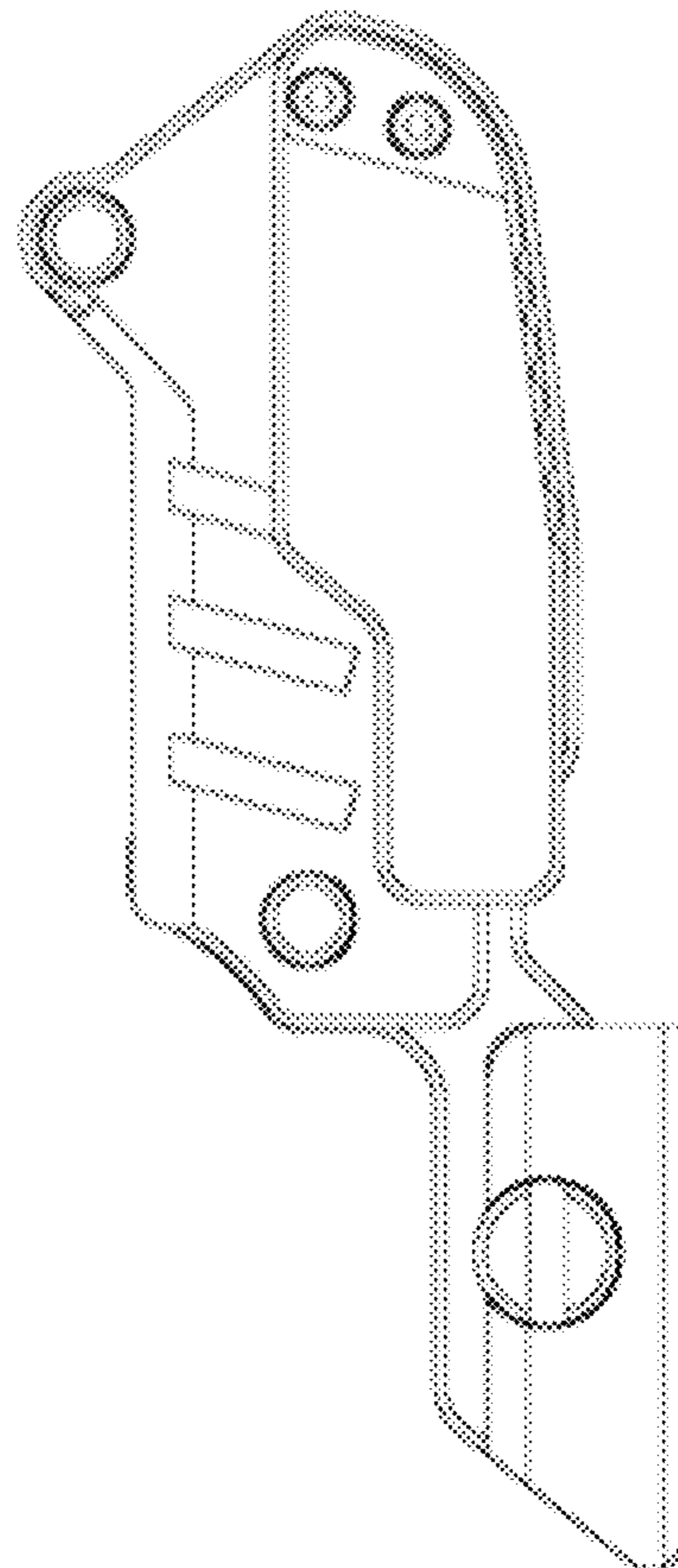


FIG. 2

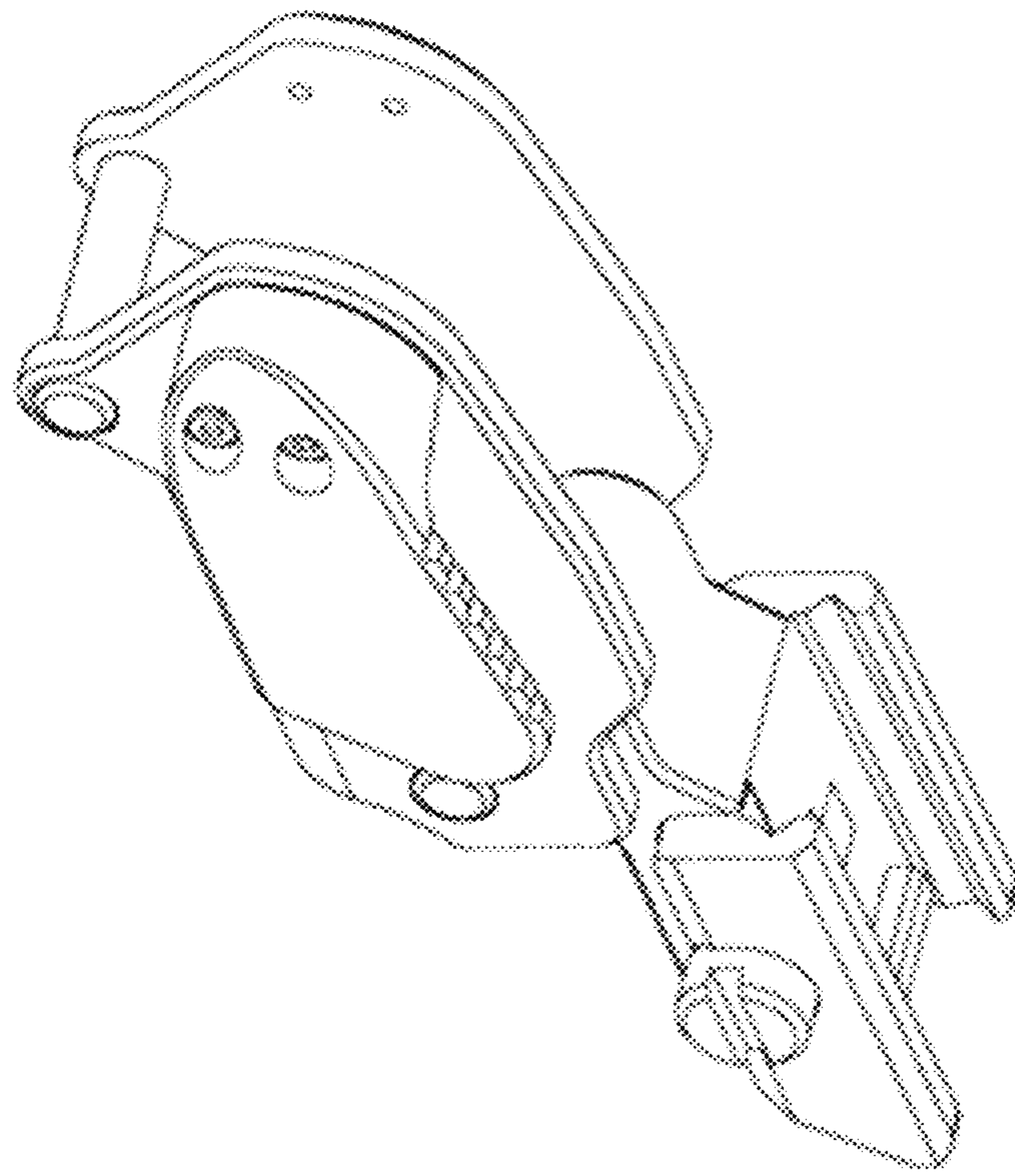


FIG. 3

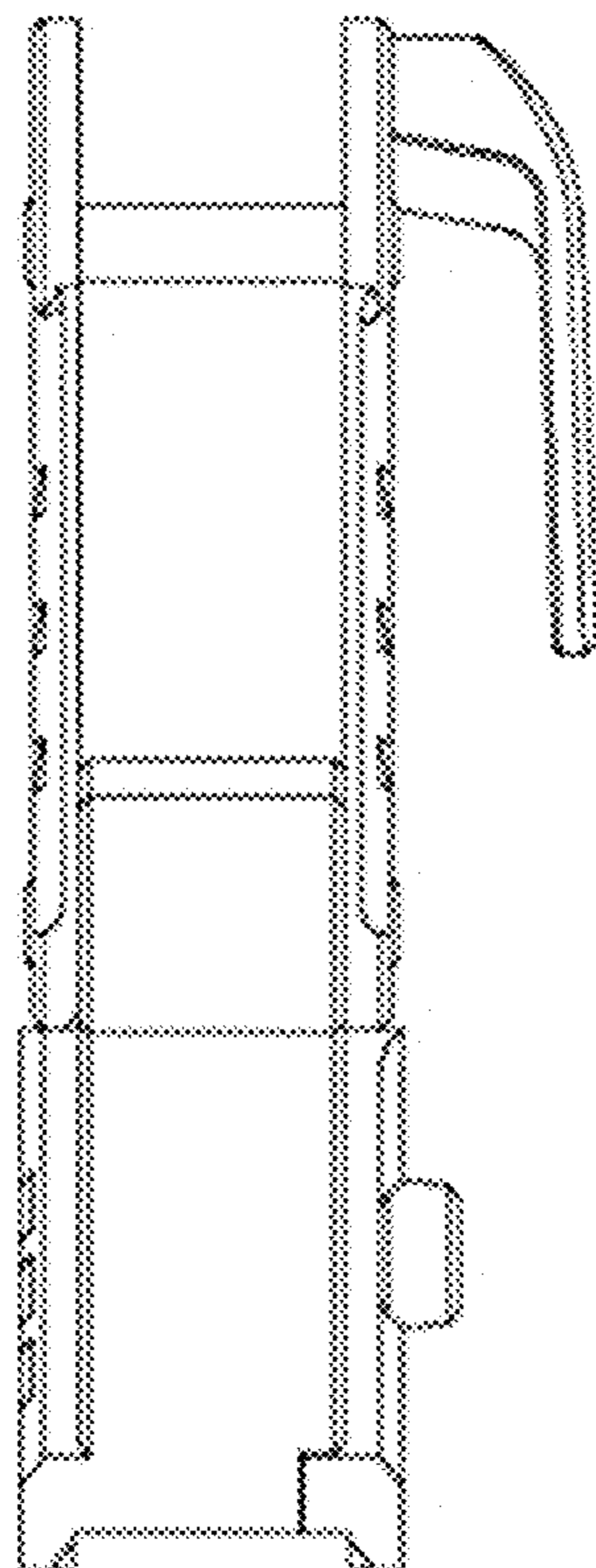


FIG. 4

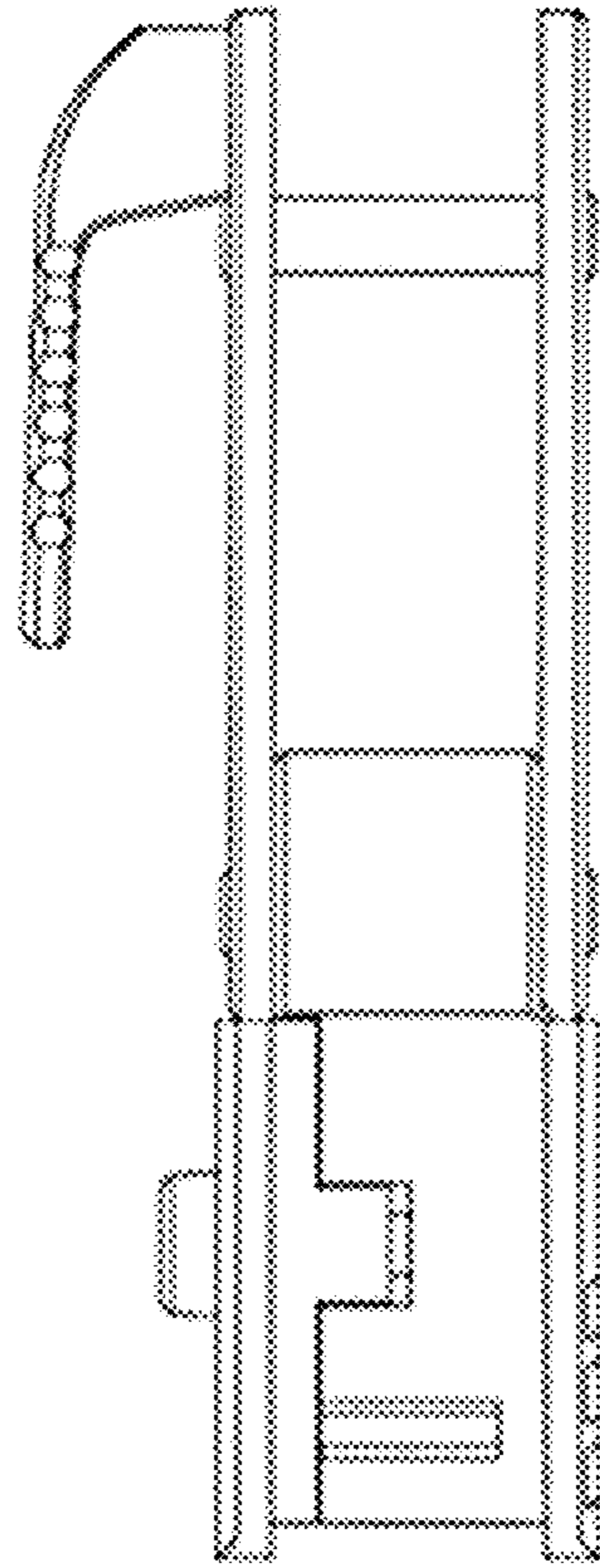


FIG. 5

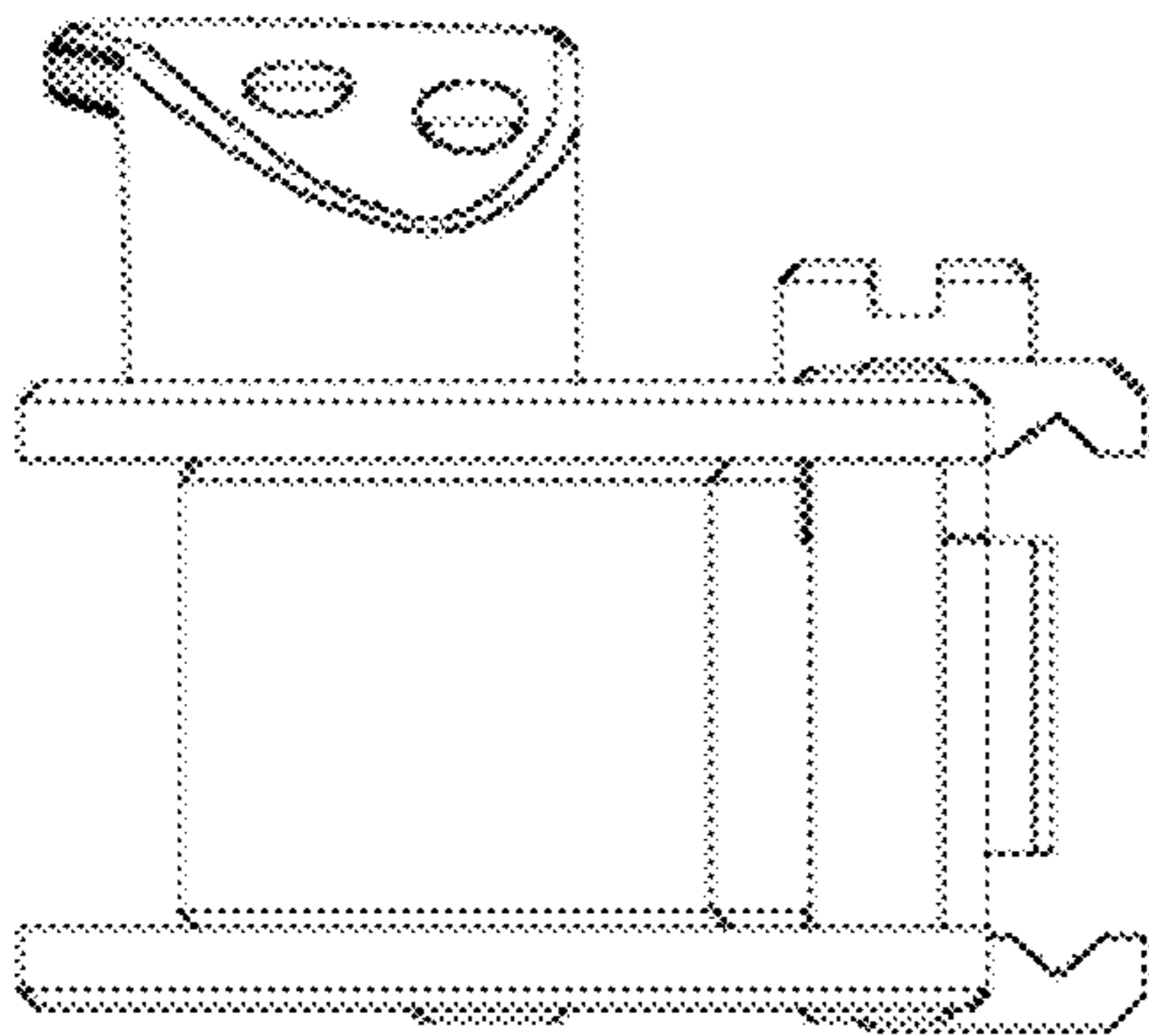


FIG. 6

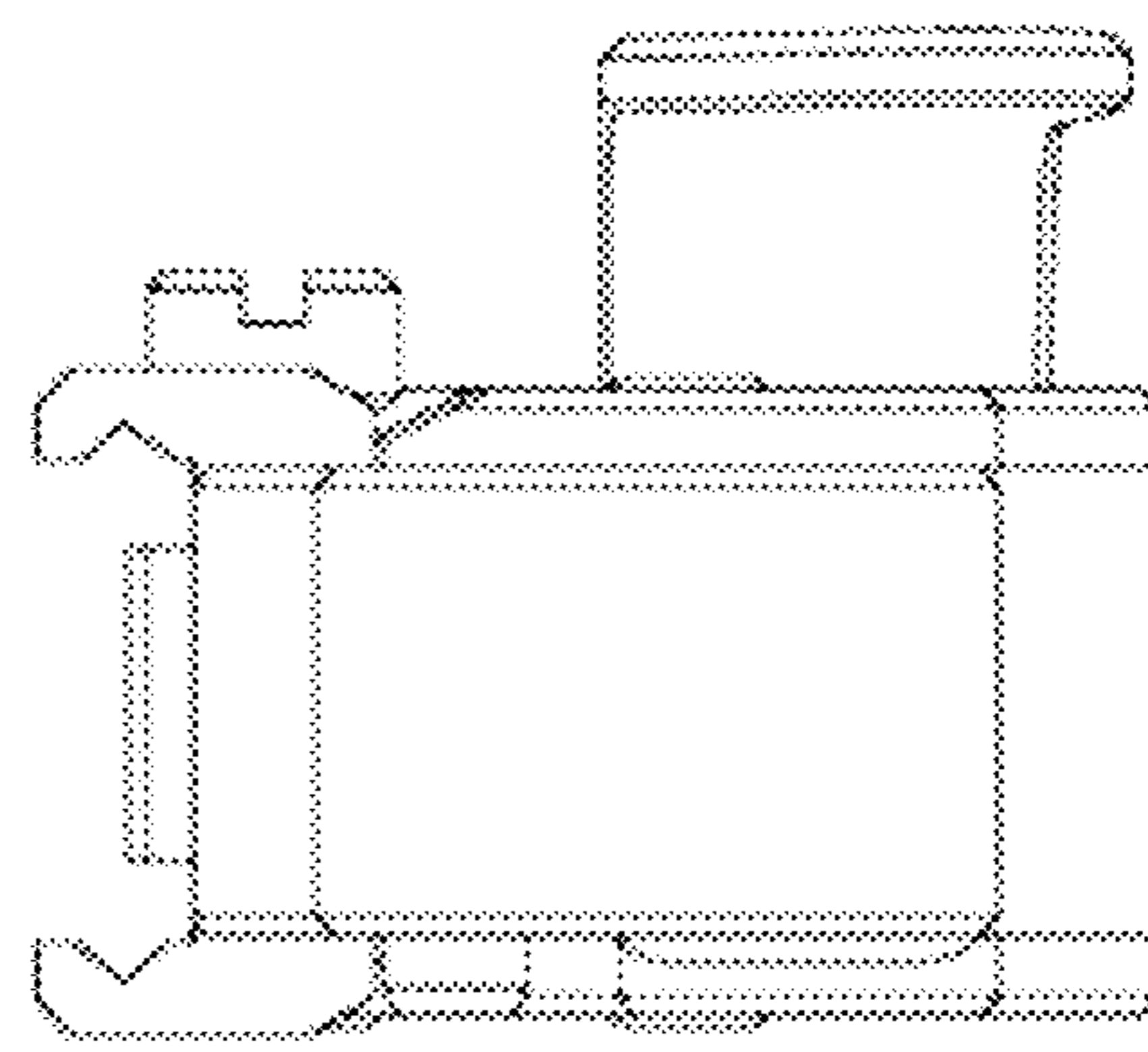


FIG. 7



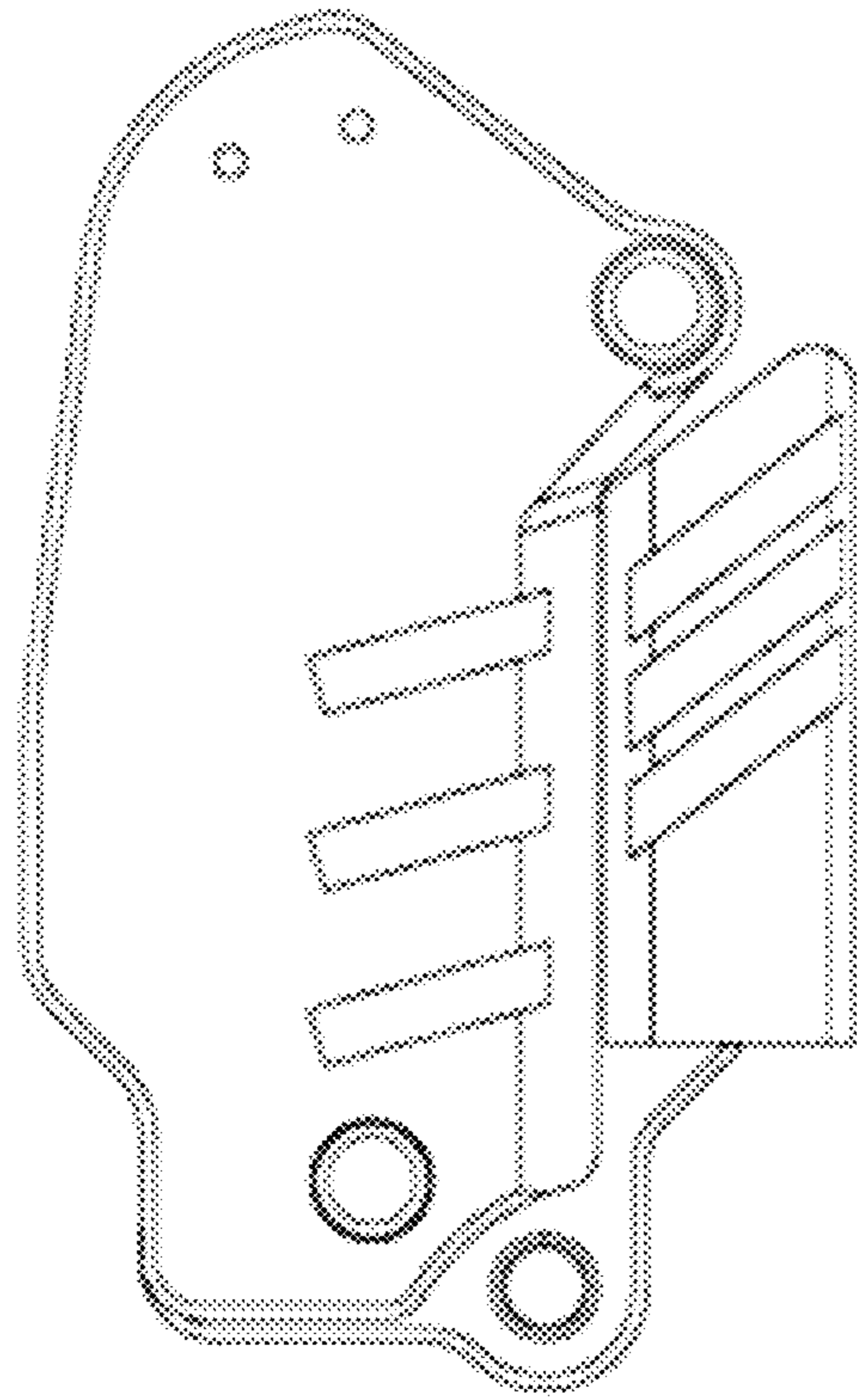


FIG. 8

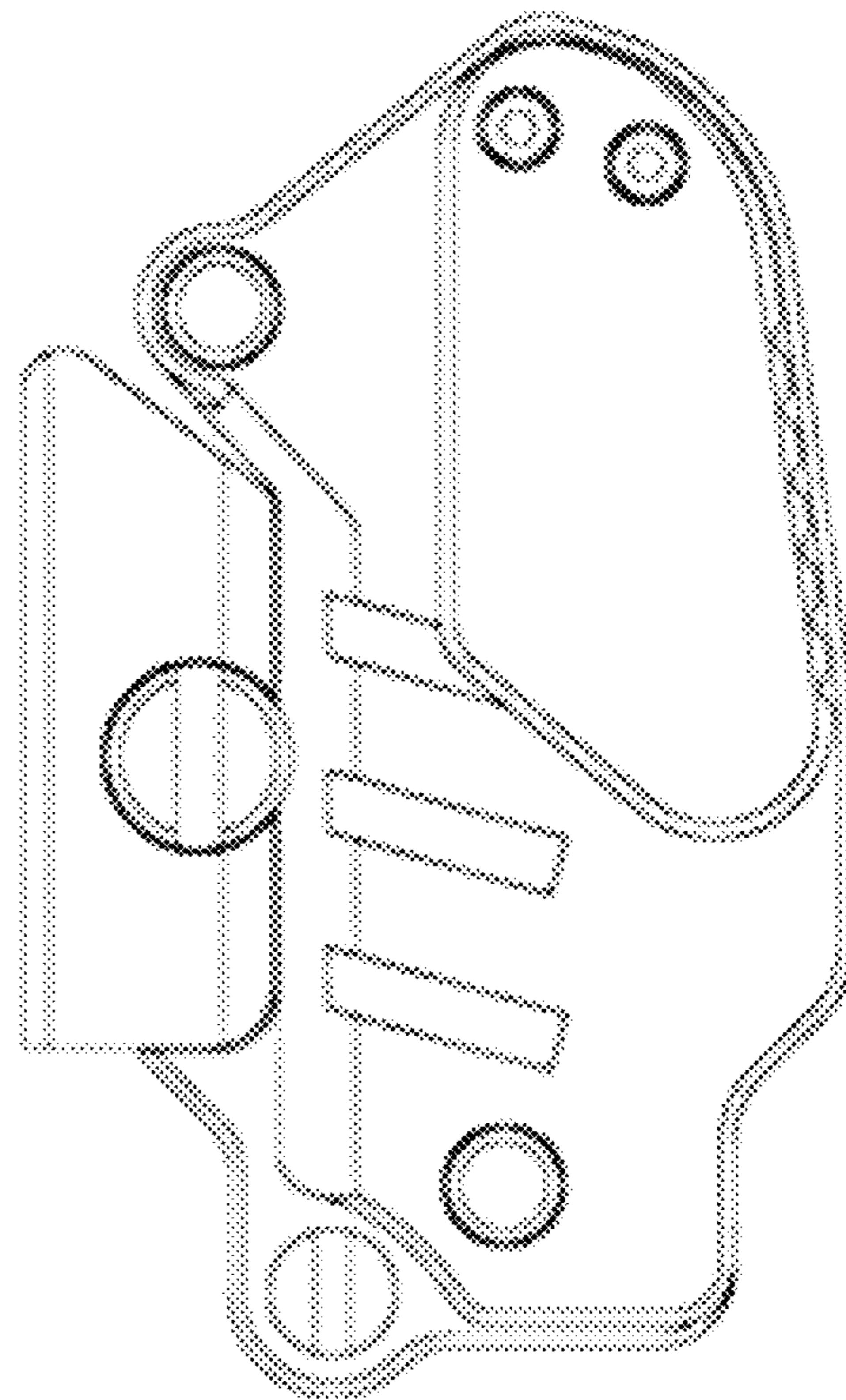


FIG. 9

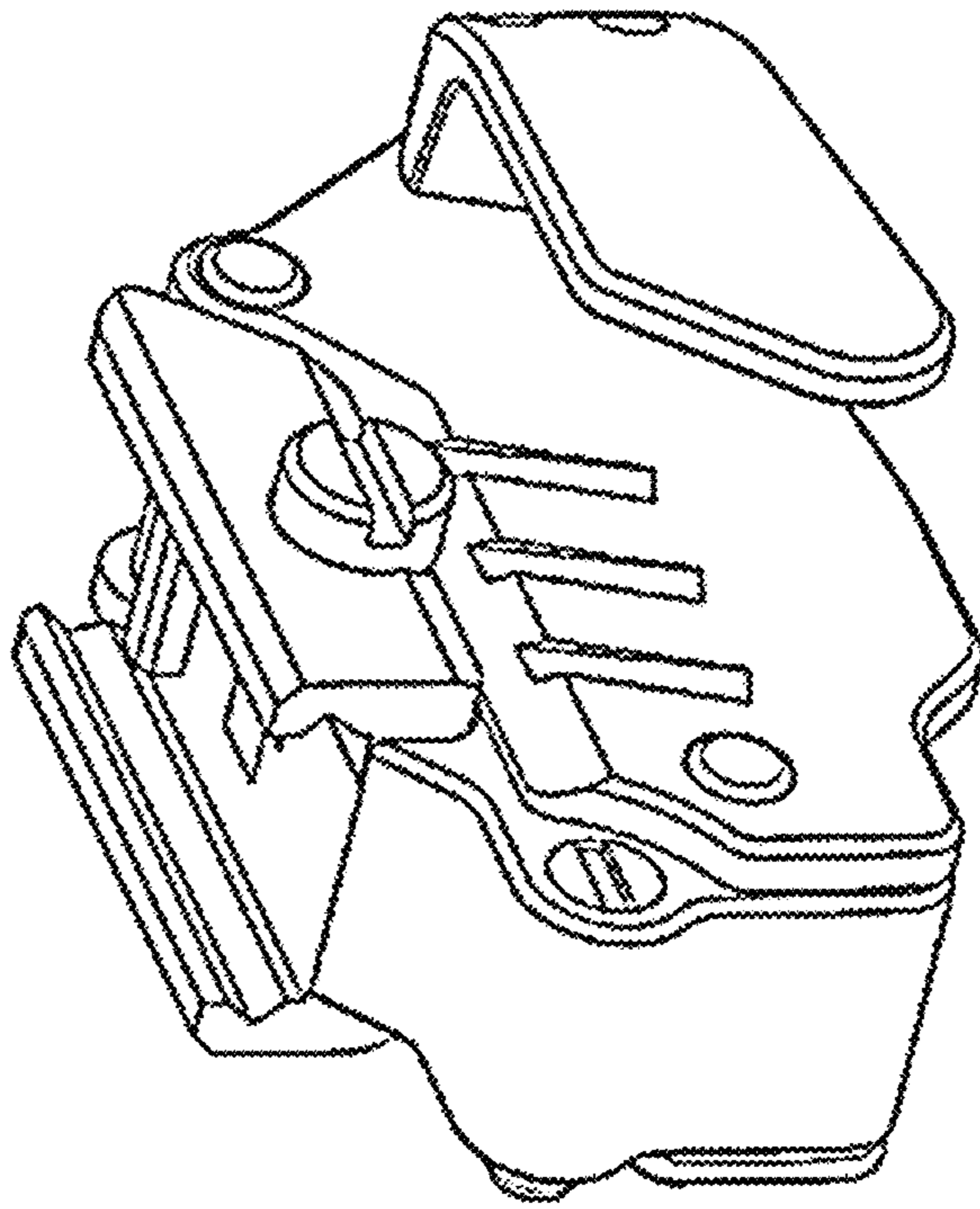


FIG. 10

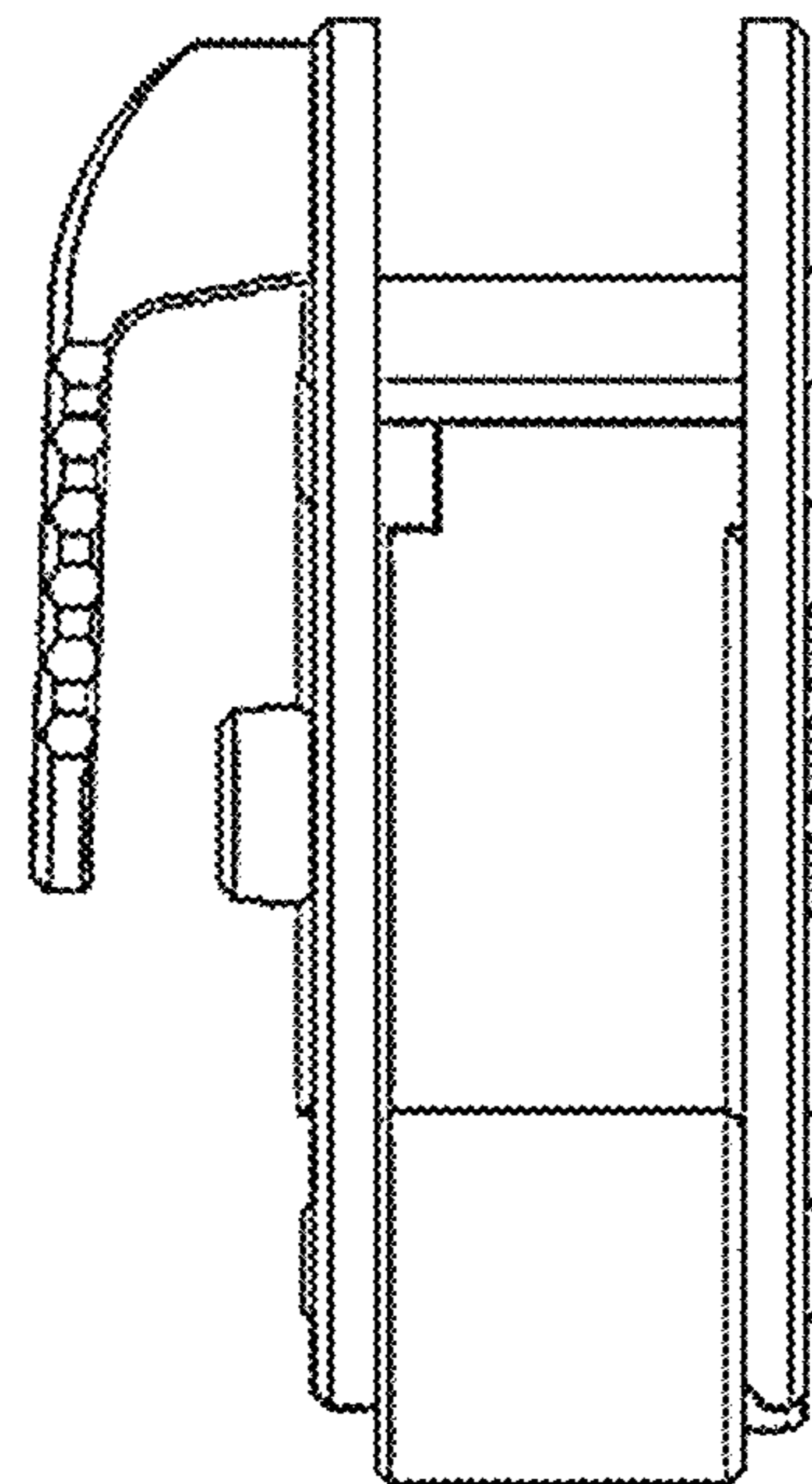


FIG. 11

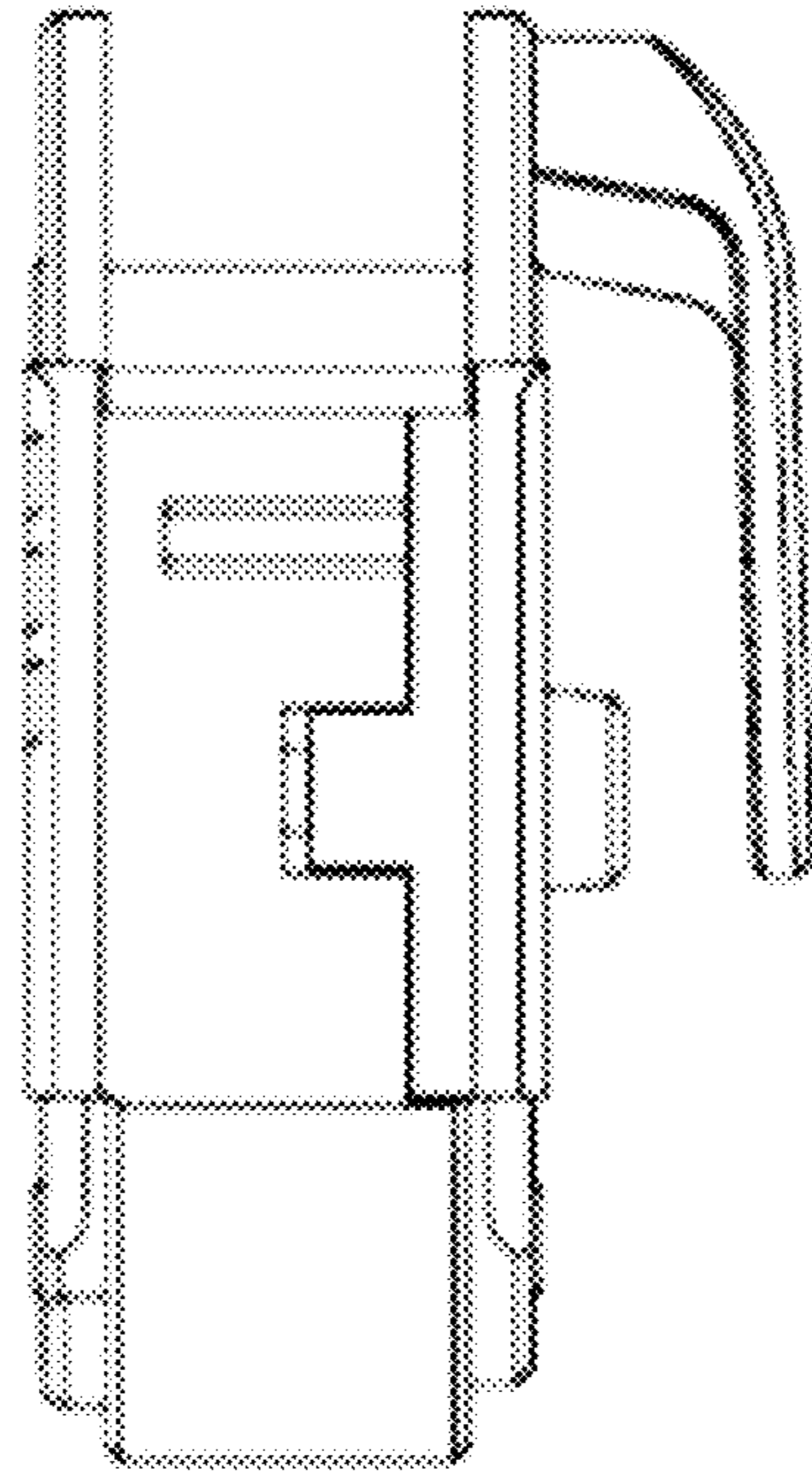


FIG. 12

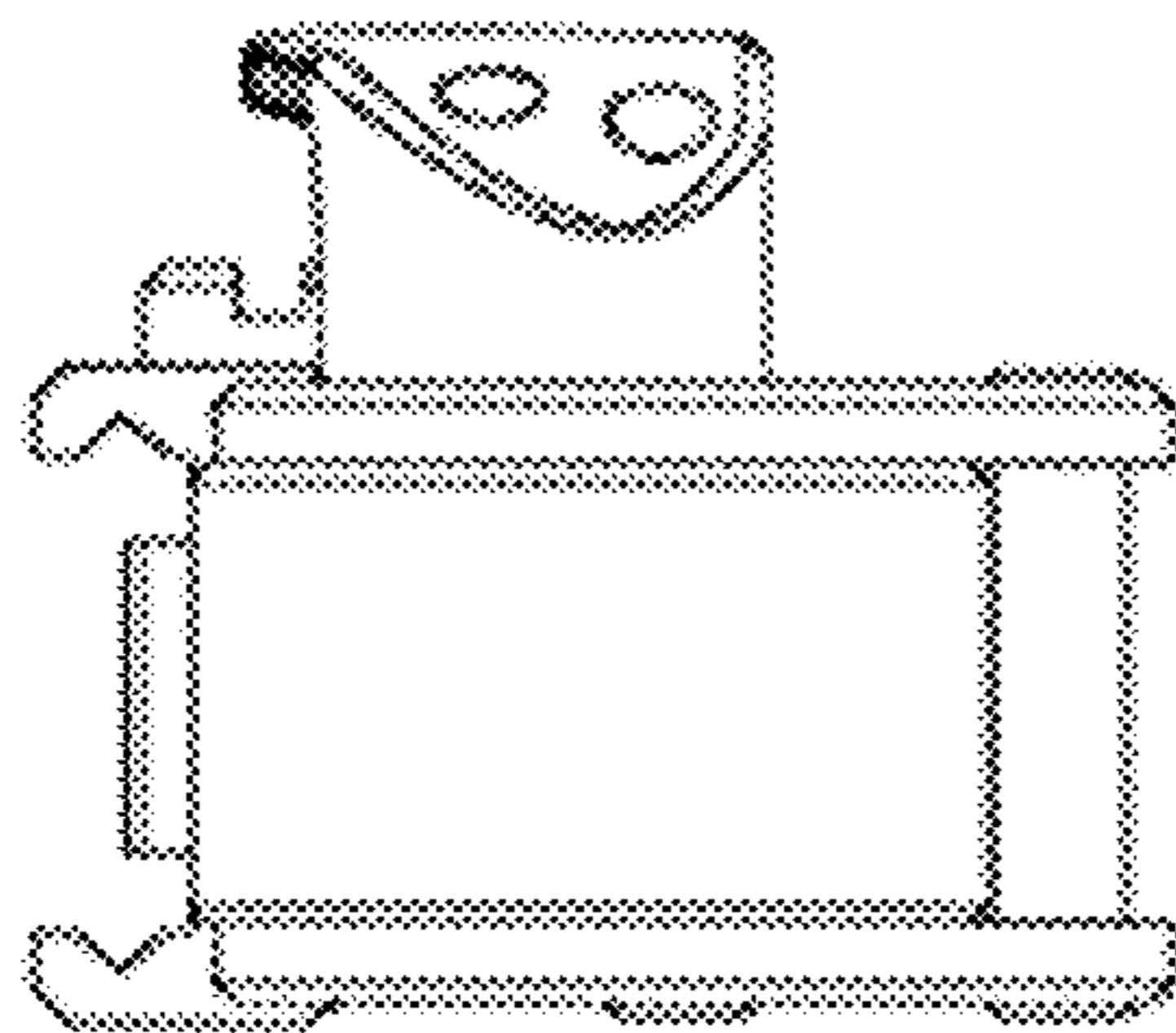


FIG. 13

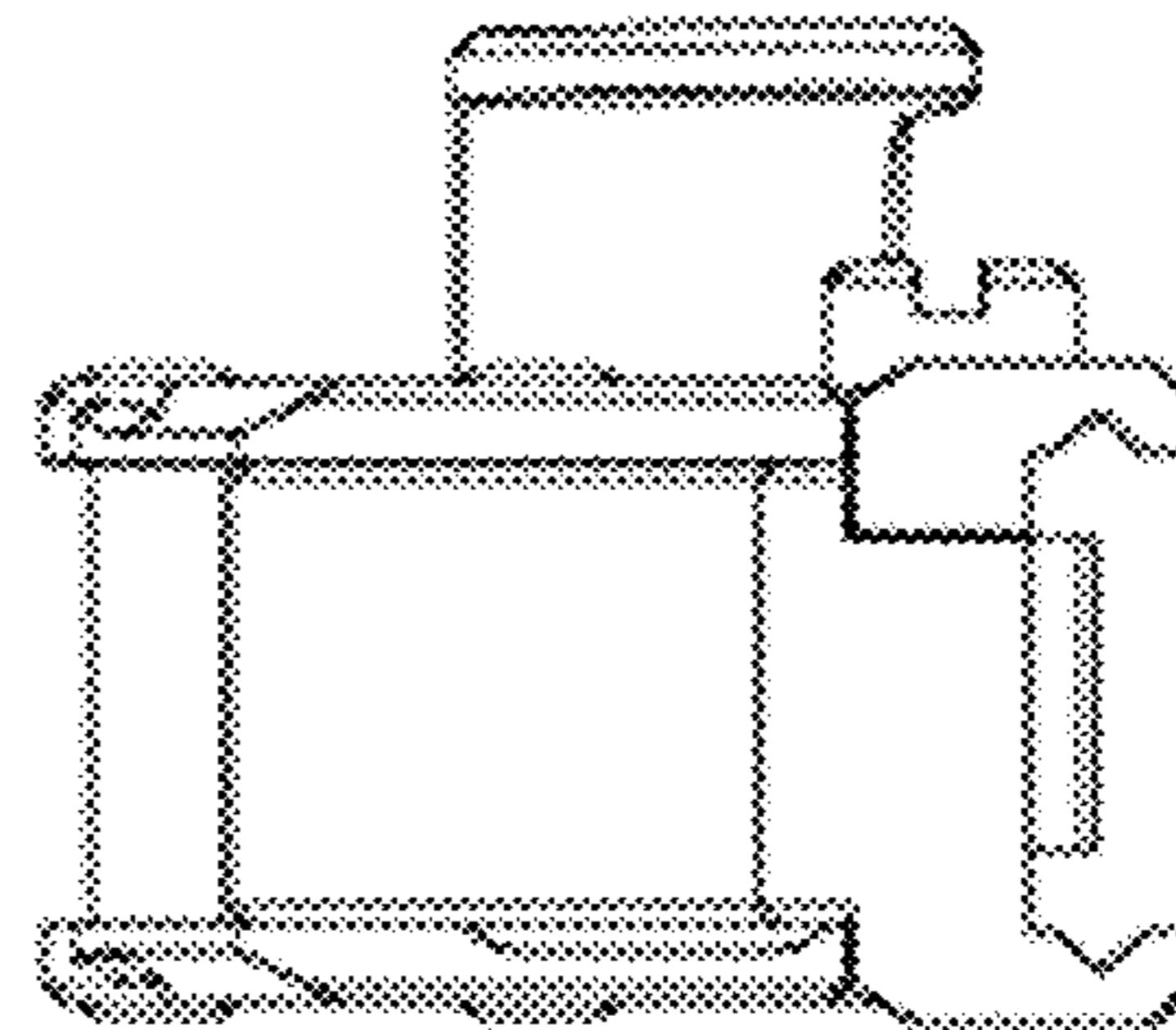


FIG. 14