



US00D903306S

(12) **United States Design Patent** (10) **Patent No.:** **US D903,306 S**
Fenton et al. (45) **Date of Patent:** **** Dec. 1, 2020**

(54) **DEVICE CASE**

(71) Applicant: **Pioneer Square Brands, Inc.**, Seattle, WA (US)

(72) Inventors: **Timothy John Fenton**, Mercer Island, WA (US); **Gary Allen Ashley**, Seattle, WA (US)

(73) Assignee: **PIONEER SQUARE BRANDS, INC.**, McLean, VA (US)

(**) Term: **15 Years**

(21) Appl. No.: **29/681,578**

(22) Filed: **Feb. 26, 2019**

Related U.S. Application Data

(63) Continuation-in-part of application No. 29/610,393, filed on Jul. 12, 2017, now abandoned.

(51) **LOC (12) Cl.** **03-01**

(52) **U.S. Cl.**
USPC **D3/217**

(58) **Field of Classification Search**
USPC D3/215-217, 273, 289, 290, 318, 321, D3/322, 323
CPC .. A45F 3/04; A45F 3/042; A45F 3/047; A45F 3/08; A45F 3/10; A45F 3/14; A45F 4/02; A45F 4/08; A45F 2200/05; A45F 2200/0525; A45C 13/08; A45C 13/083
See application file for complete search history.

(56) **References Cited**

U.S. PATENT DOCUMENTS

D569,099 S *	5/2008	Gossett	D3/217
D673,363 S *	1/2013	Crandall	D3/217
D708,845 S *	7/2014	Taylor	D3/216
D725,378 S *	3/2015	Ford	D3/217
D734,942 S *	7/2015	Robinson	D3/217
D759,369 S *	6/2016	Mei Yee	D3/216

D816,985 S *	5/2018	Cheung	D3/217
2011/0315589 A1 *	12/2011	Thomas	A45C 13/02 206/521
2013/0126572 A1 *	5/2013	Murdoch	A45F 3/04 224/639
2015/0034402 A1 *	2/2015	Dourado	A45F 3/04 180/181
2015/0053735 A1 *	2/2015	Murdoch	A45F 3/005 224/640

FOREIGN PATENT DOCUMENTS

CN 304697071 * 6/2018

OTHER PUBLICATIONS

K-Cliffs Multi Pocket Backpack w/double side pockets, posted at amazon.com, available Sep. 6, 2012, online, URL: <https://www.amazon.com/K-Cliffs-Pocket-Backpack-double-pockets/dp/B0097GQY6W> (Year: 2012).*

* cited by examiner

Primary Examiner — Lilyana Bekic

Assistant Examiner — Mary Shannon Malley

(74) *Attorney, Agent, or Firm* — Grandview Law

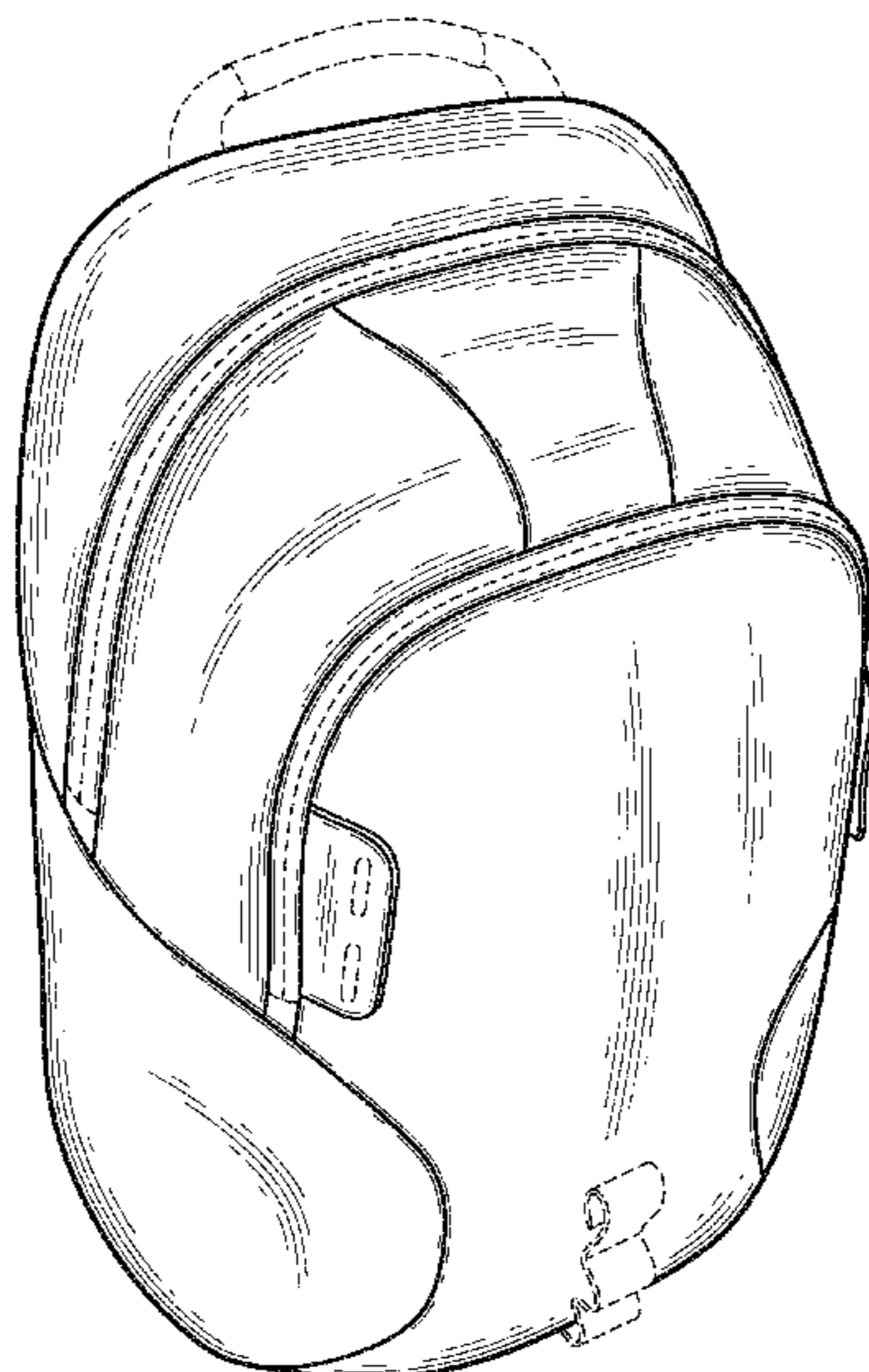
(57) **CLAIM**

The ornamental design for a device case, as shown and described.

DESCRIPTION

FIG. 1 is a top perspective view of a device case.
FIG. 2 is a front elevational view thereof.
FIG. 3 is a rear elevational view thereof.
FIG. 4 is a top plan view thereof.
FIG. 5 is a left elevational view thereof; and,
FIG. 6 is a right elevational view thereof.
The broken lines showing stitching do not form part of the claimed design, all other broken lines show portions of the device case that form no part of the claimed design.

1 Claim, 4 Drawing Sheets



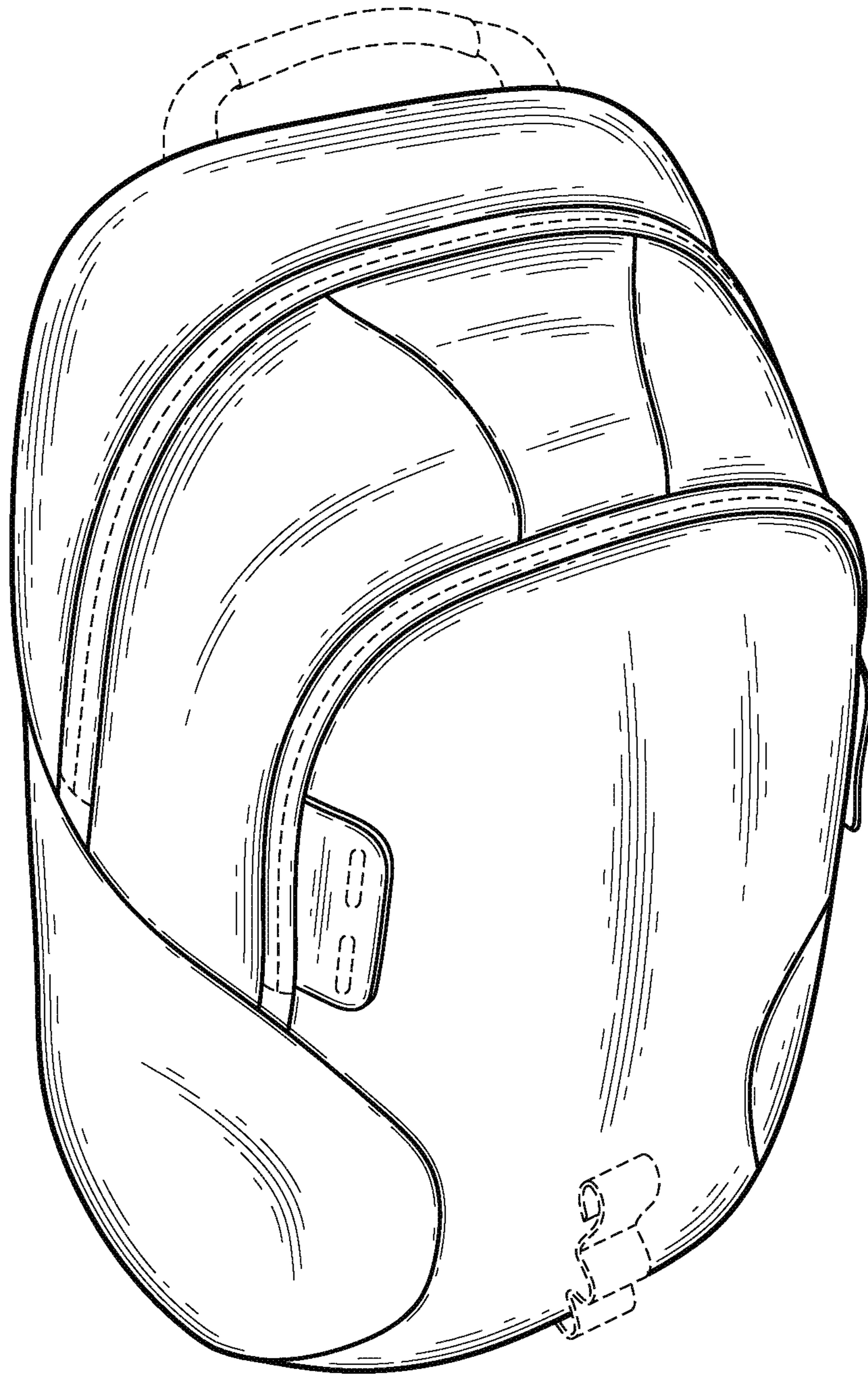


Fig. 1

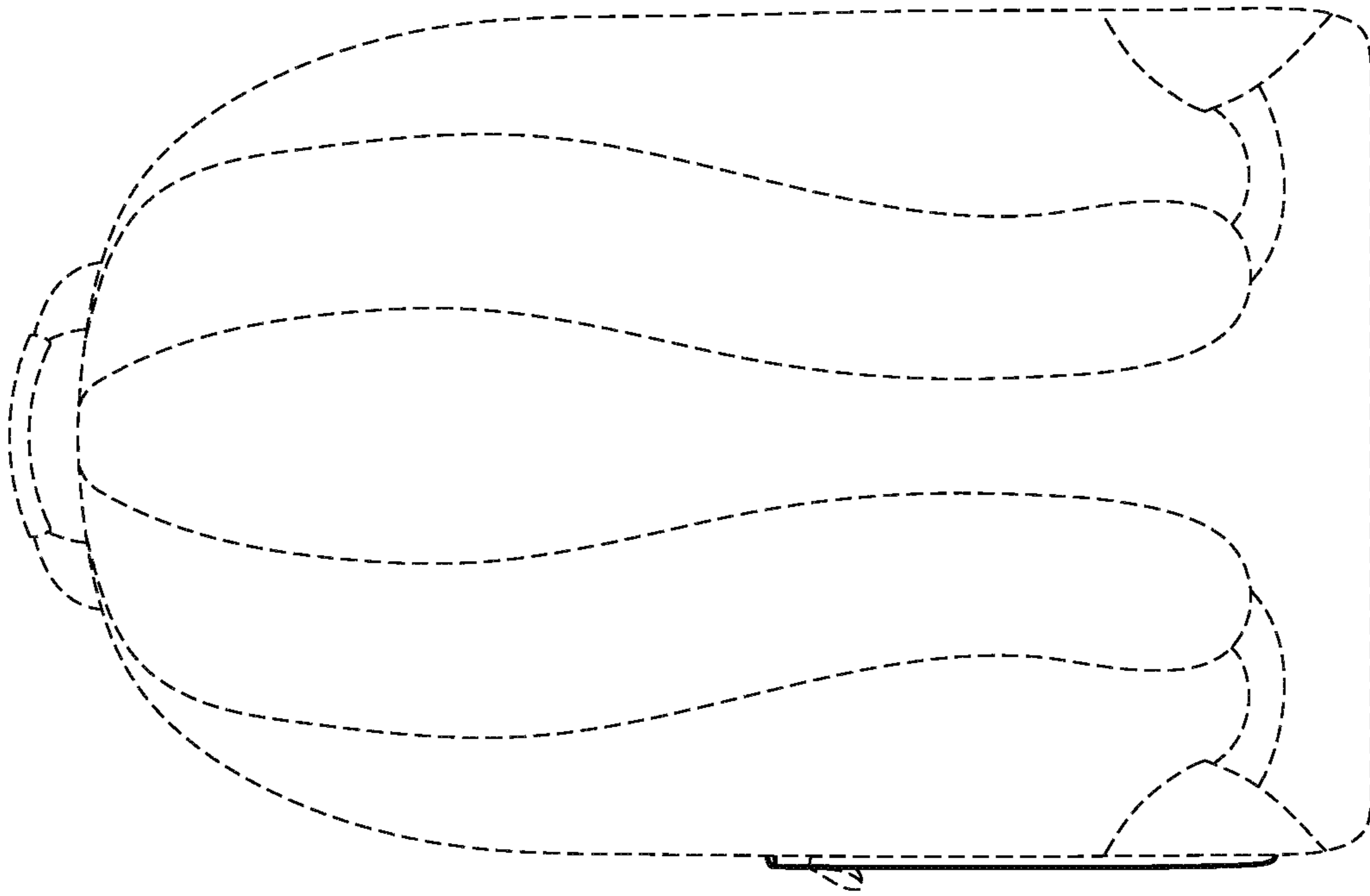


Fig. 3

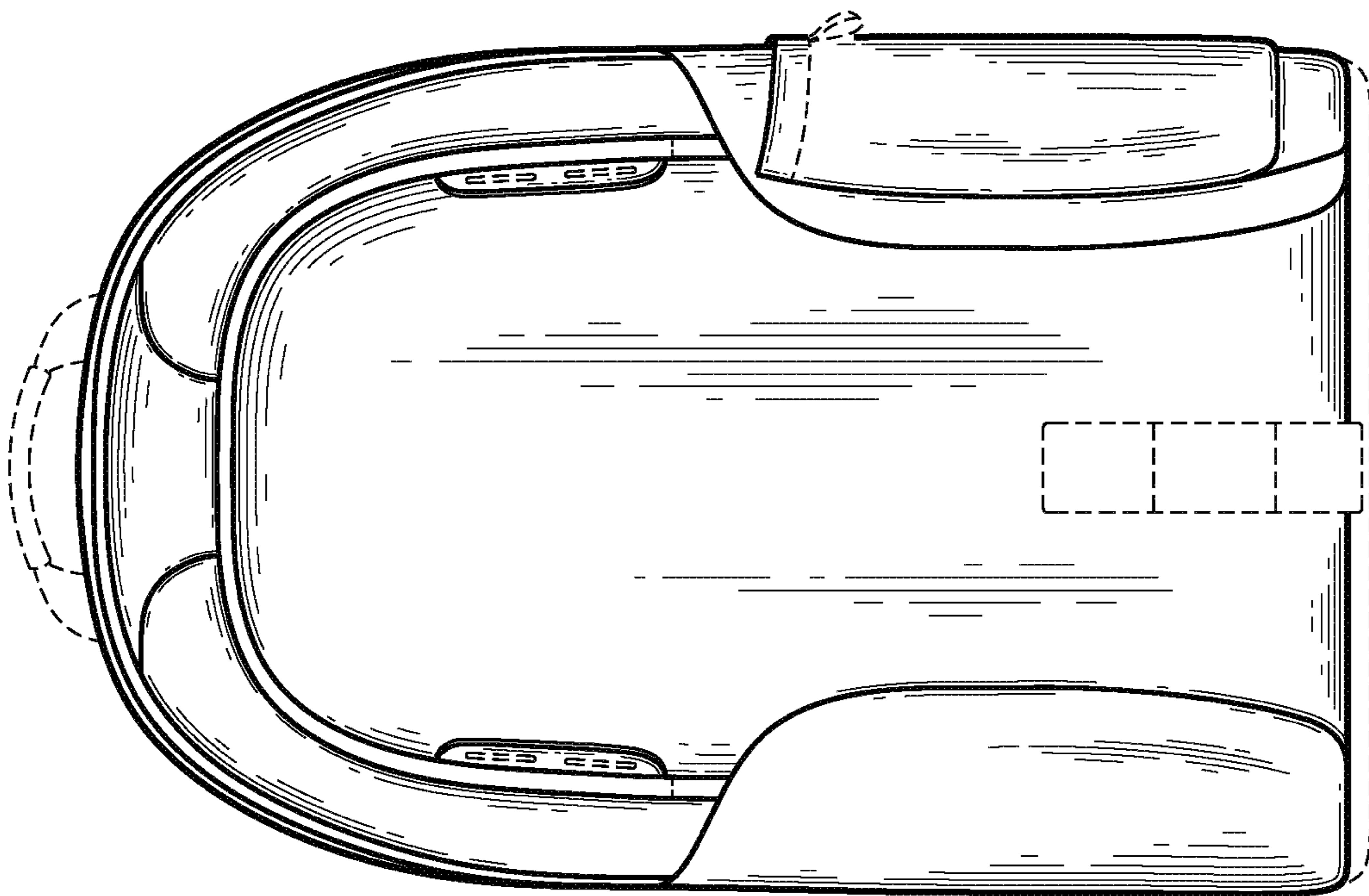


Fig. 2

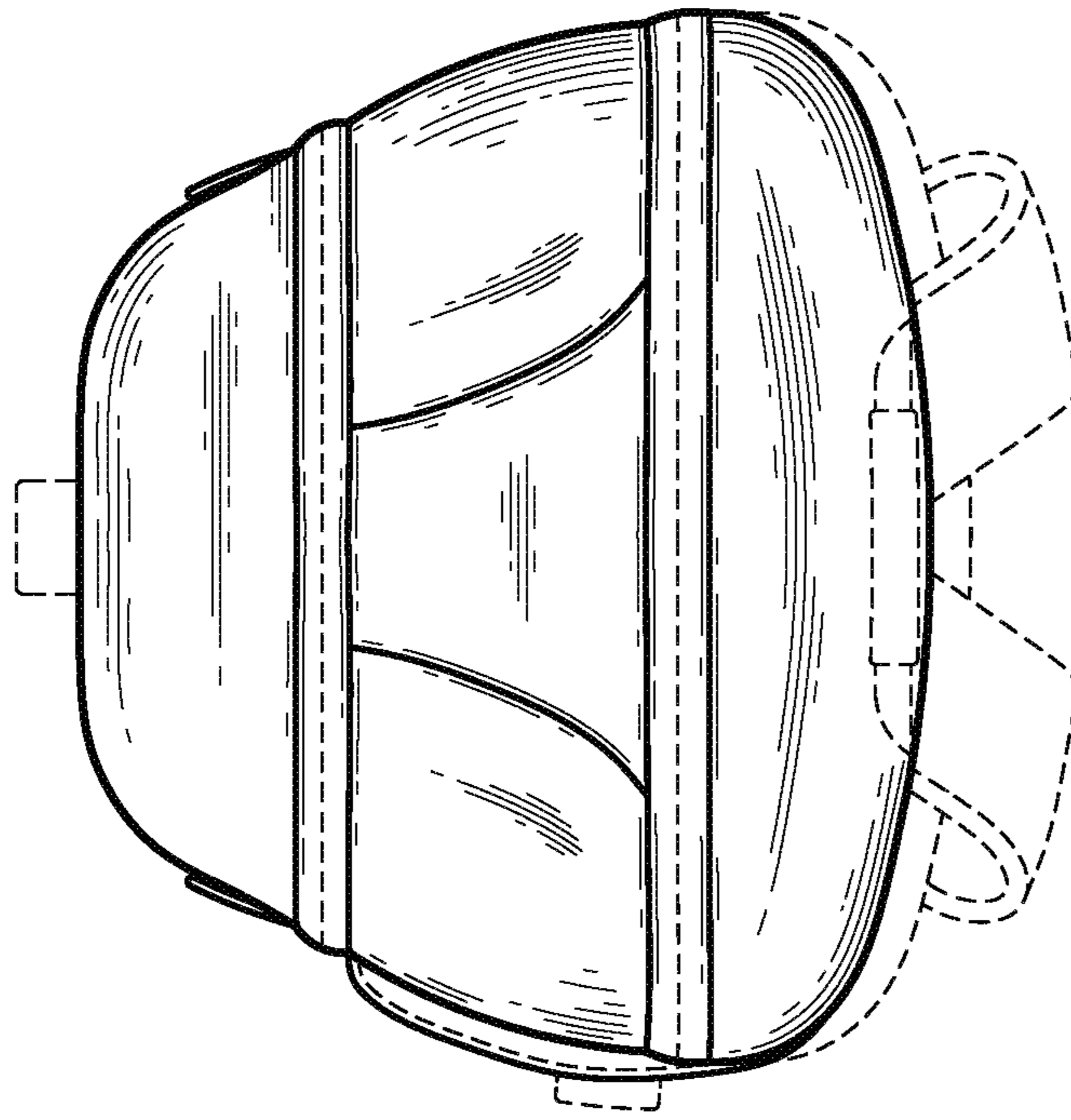


Fig. 4

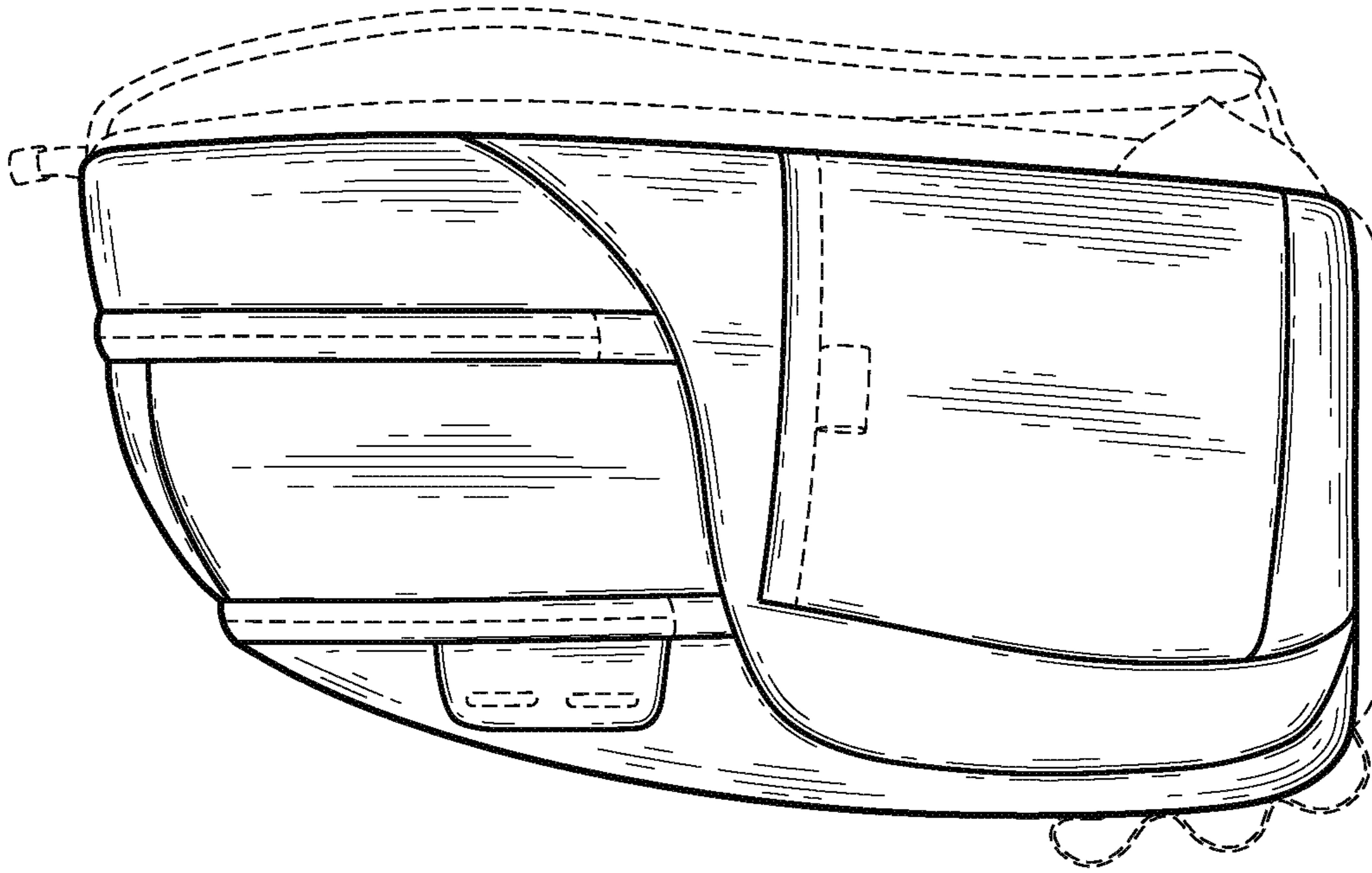


Fig. 6

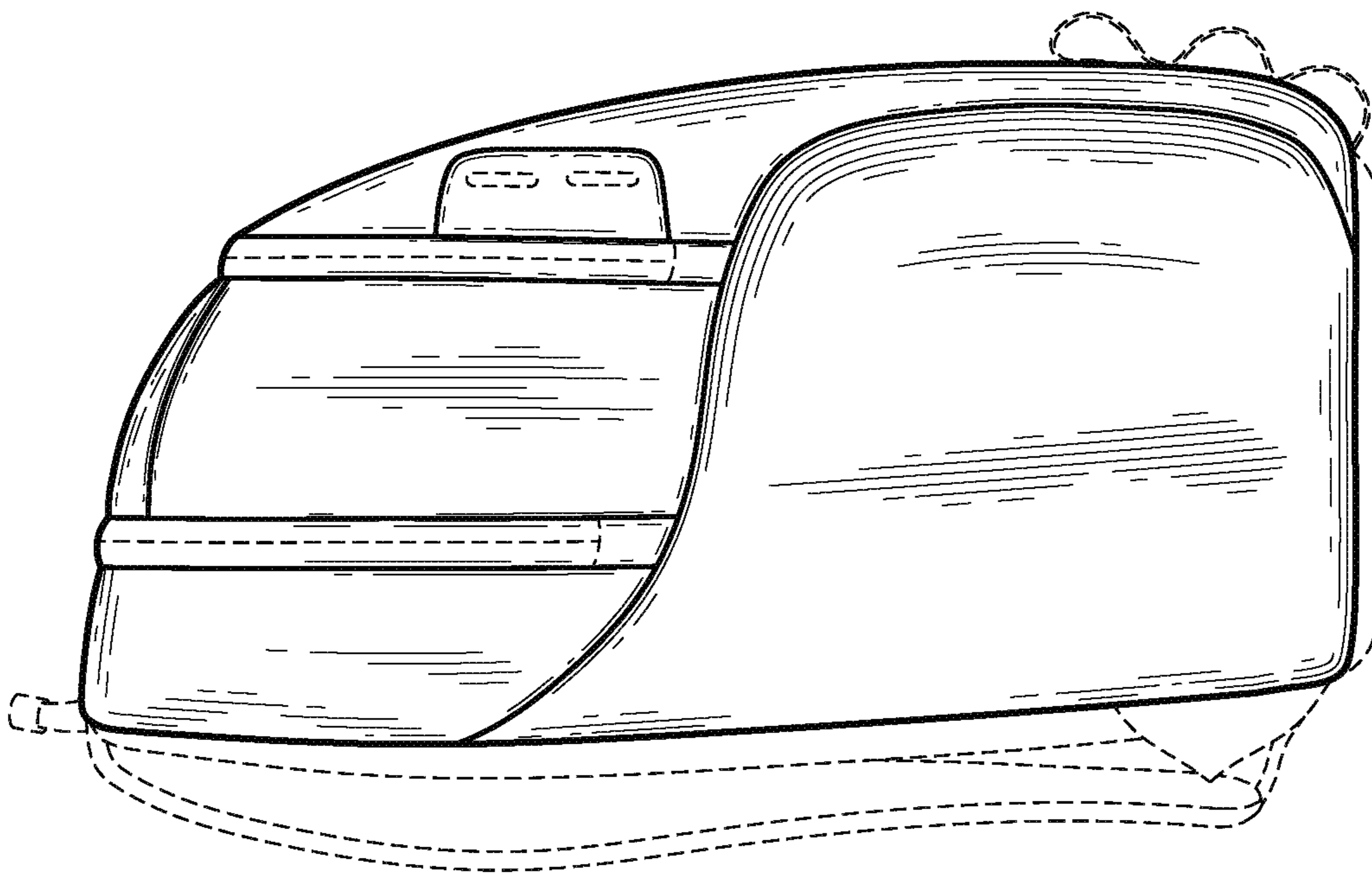


Fig. 5