



US00D903303S

(12) **United States Design Patent** (10) **Patent No.:** **US D903,303 S**  
**Guo et al.** (45) **Date of Patent:** **\*\* Dec. 1, 2020**

(54) **LED KEY CHAIN LIGHT**  
(71) Applicant: **AEC LIGHTING SOLUTIONS CO., Ltd, Shanghai (CN)**  
(72) Inventors: **Shujian Guo, Shanghai (CN); Xun Zhang, Shanghai (CN)**  
(73) Assignee: **AEC LIGHTING SOLUTIONS CO., LTD, Shanghai (CN)**

D821,867 S \* 7/2018 Oligschlaeger ..... D9/422  
D822,377 S \* 7/2018 Sheikh ..... D3/208  
D822,599 S \* 7/2018 Zhong ..... D13/108  
D823,243 S \* 7/2018 Toscani ..... D13/107  
D823,844 S \* 7/2018 Ramones ..... D14/240  
D824,094 S \* 7/2018 Rein ..... D27/141  
D824,557 S \* 7/2018 Waters ..... D26/46  
D829,212 S \* 9/2018 Bidwell ..... D14/426  
D833,415 S \* 11/2018 Kitazawa ..... D14/204

(Continued)

(\*\*) Term: **15 Years**  
(21) Appl. No.: **29/692,387**  
(22) Filed: **May 24, 2019**

(30) **Foreign Application Priority Data**

Feb. 11, 2019 (EM) ..... 006221545

(51) **LOC (12) Cl.** ..... **03-01**  
(52) **U.S. Cl.**  
USPC ..... **D3/209**

(58) **Field of Classification Search**  
USPC ..... D3/207-212; D8/16, 38, 347, 348;  
D13/102-110, 118, 119, 184, 199;  
D14/356, 432, 434, 435, 435.1, 436, 439,  
D14/480.3, 480.1, 480.5, 480.7; D26/37,  
D26/38; 70/456 R, 458; 206/37.1  
CPC ..... H04R 5/033; H04R 1/1058; H04R 1/1033  
See application file for complete search history.

(56) **References Cited**

**U.S. PATENT DOCUMENTS**

D380,895 S \* 7/1997 Tsui ..... D3/208  
D587,899 S \* 3/2009 Oksanen ..... D3/207  
D661,889 S \* 6/2012 Wu ..... D3/207  
D725,374 S \* 3/2015 Oksanen ..... D3/209  
D793,075 S \* 8/2017 Ma ..... D3/207  
D793,388 S \* 8/2017 Park ..... D14/341  
D808,073 S \* 1/2018 Leidel ..... D27/162  
D813,447 S \* 3/2018 Watson ..... D27/162

**OTHER PUBLICATIONS**

The Classics Thin LED Flashlight on Keychain, Assorted Colors (TPG-27501), Amazon.com, [online], [site visited Jul. 12, 2020].  
<URL: [https://www.amazon.com/Classics-Flashlight-Keychain-Assorted-TPG-27501/dp/B003AZ4QY8?ref=fsclp\\_pl\\_dp\\_4](https://www.amazon.com/Classics-Flashlight-Keychain-Assorted-TPG-27501/dp/B003AZ4QY8?ref=fsclp_pl_dp_4)> (Year: 2020).\*

(Continued)

*Primary Examiner* — T Chase Nelson  
*Assistant Examiner* — Jonathan J. Han  
(74) *Attorney, Agent, or Firm* — Berg Hill Greenleaf Ruscitti LLP

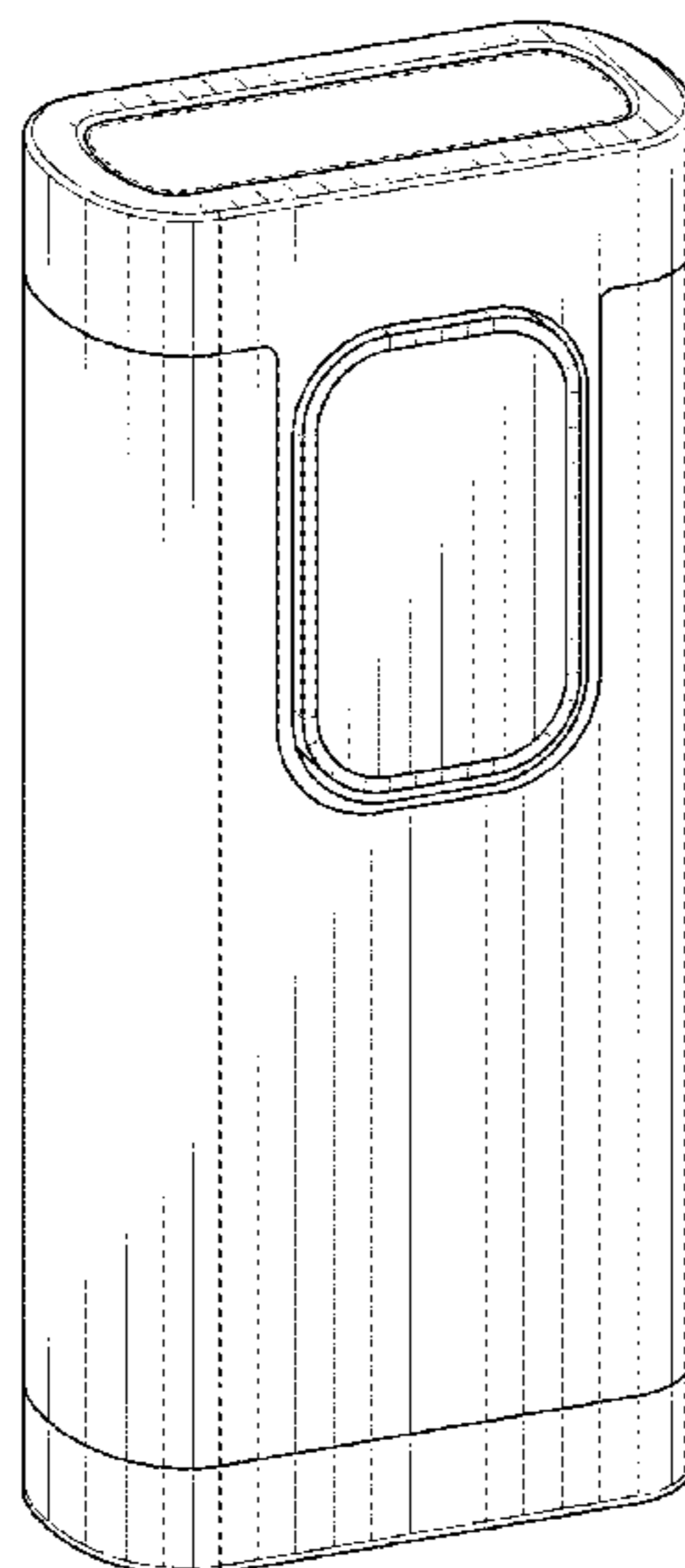
(57) **CLAIM**

The ornamental design for a LED key chain light, as shown and described.

**DESCRIPTION**

FIG. 1 is a perspective view of the LED key chain light showing our new design;  
FIG. 2 is a left side elevation view thereof;  
FIG. 3 is a right side elevation view thereof;  
FIG. 4 is a front elevation view thereof;  
FIG. 5 is a rear elevation view thereof;  
FIG. 6 is a top plan view thereof; and,  
FIG. 7 is a bottom plan view thereof.  
The broken lines in the figures show portions of the invention that form no part of the claimed design.

**1 Claim, 4 Drawing Sheets**



(56)

**References Cited**

## U.S. PATENT DOCUMENTS

D836,831 S \* 12/2018 Cividi ..... D27/162  
D837,748 S \* 1/2019 Komiya ..... D13/168  
D842,308 S \* 3/2019 Shim ..... D14/480.5  
D846,492 S \* 4/2019 Verleur ..... D13/103  
D851,328 S \* 6/2019 Smith ..... D27/162  
D851,827 S \* 6/2019 Clark ..... D26/155  
D854,741 S \* 7/2019 Smith ..... D27/162  
D856,333 S \* 8/2019 Ruegg ..... D14/388  
D863,636 S \* 10/2019 Soo ..... D26/46  
D864,213 S \* 10/2019 Yang ..... D14/480.5  
D866,558 S \* 11/2019 Shim ..... D14/435  
D866,852 S \* 11/2019 Cividi ..... D27/101  
D867,178 S \* 11/2019 Deng ..... D10/70  
D867,367 S \* 11/2019 Wang ..... D14/433  
D868,742 S \* 12/2019 Cao ..... D14/217  
D868,794 S \* 12/2019 Jun ..... D14/480.5  
D874,059 S \* 1/2020 Bailey ..... D27/162  
D874,439 S \* 2/2020 Gong ..... D14/218  
D874,470 S \* 2/2020 Bolotin ..... D14/480.5  
D889,426 S \* 7/2020 Fu ..... D14/159  
D889,758 S \* 7/2020 Van Curen ..... D30/199

## OTHER PUBLICATIONS

Klarus Mi2 Super Lightweight and Compact Rechargeable LED Keychain Flashlight, 40 Lumens EDC Flashlight with Built-in Battery and USB Cable (black), Amazon.com, Date First Available: Jun. 19, 2019, [online], [site visited Jul. 12, 2020]. <URL: <https://www.amazon.com/Compact-Rechargeable-Keychain>> (Year: 2019).\*

LitezAll The COBFOB LED Keychain Light, LitezAll.com, [online], [site visited Jul. 12, 2020]. <URL: <https://litezall.com/products/litezall-the-cobfob-led-keychain-light>> (Year: 2020).\*

\* cited by examiner

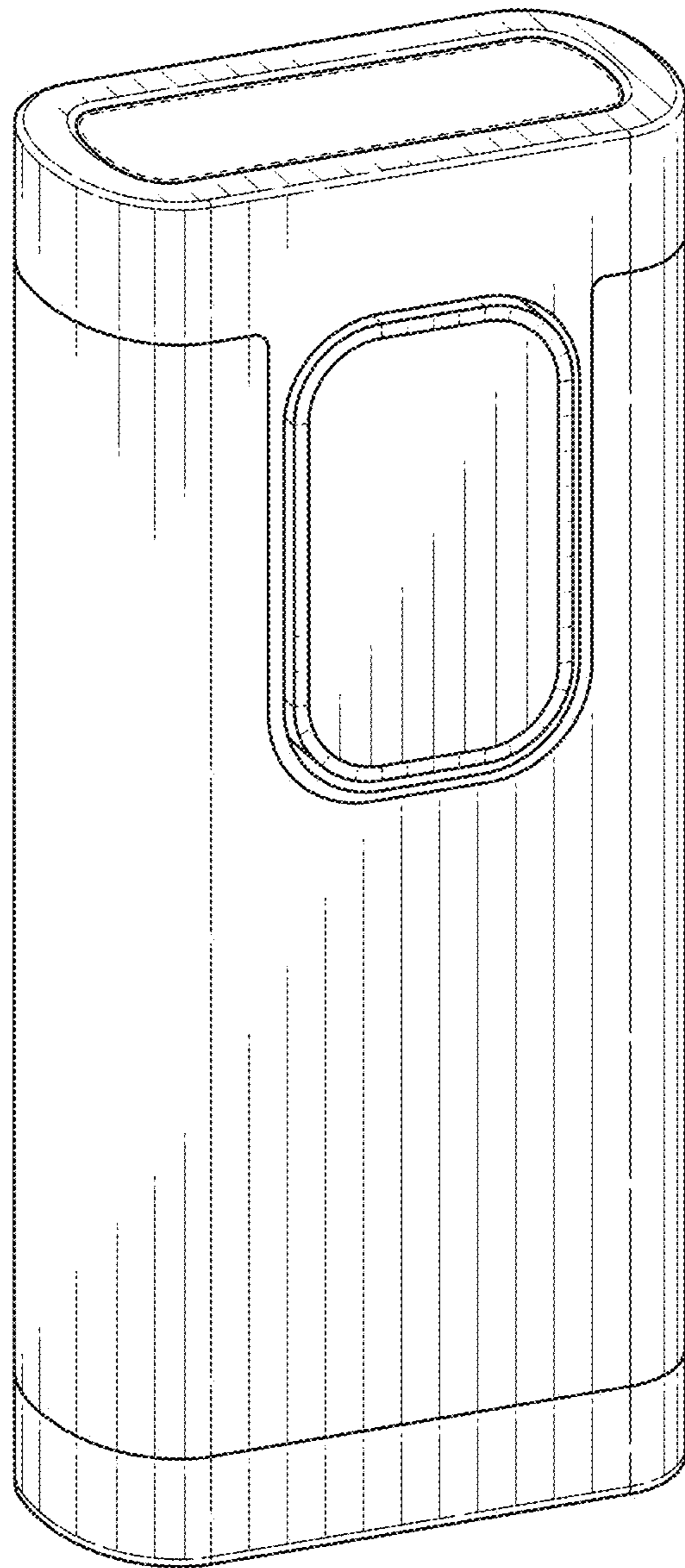


FIG. 1

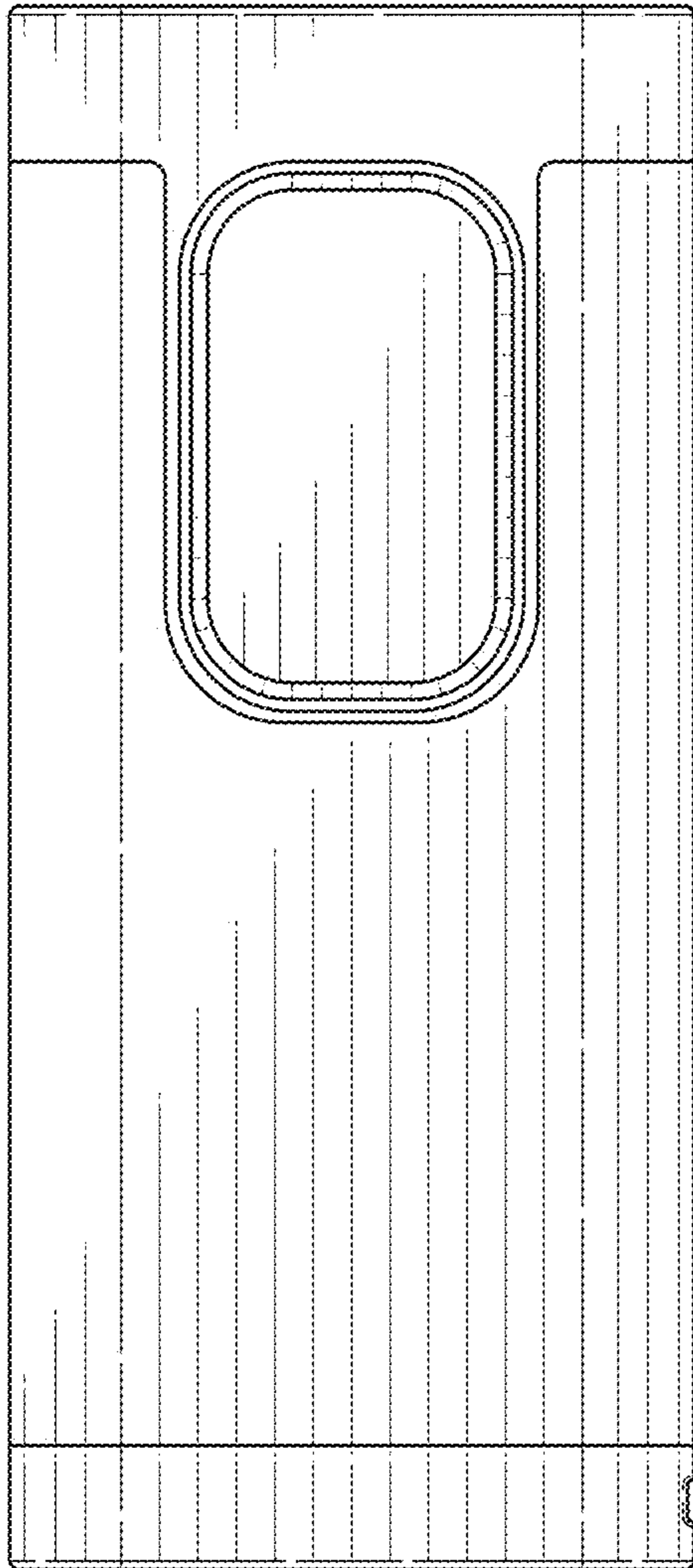


FIG. 2

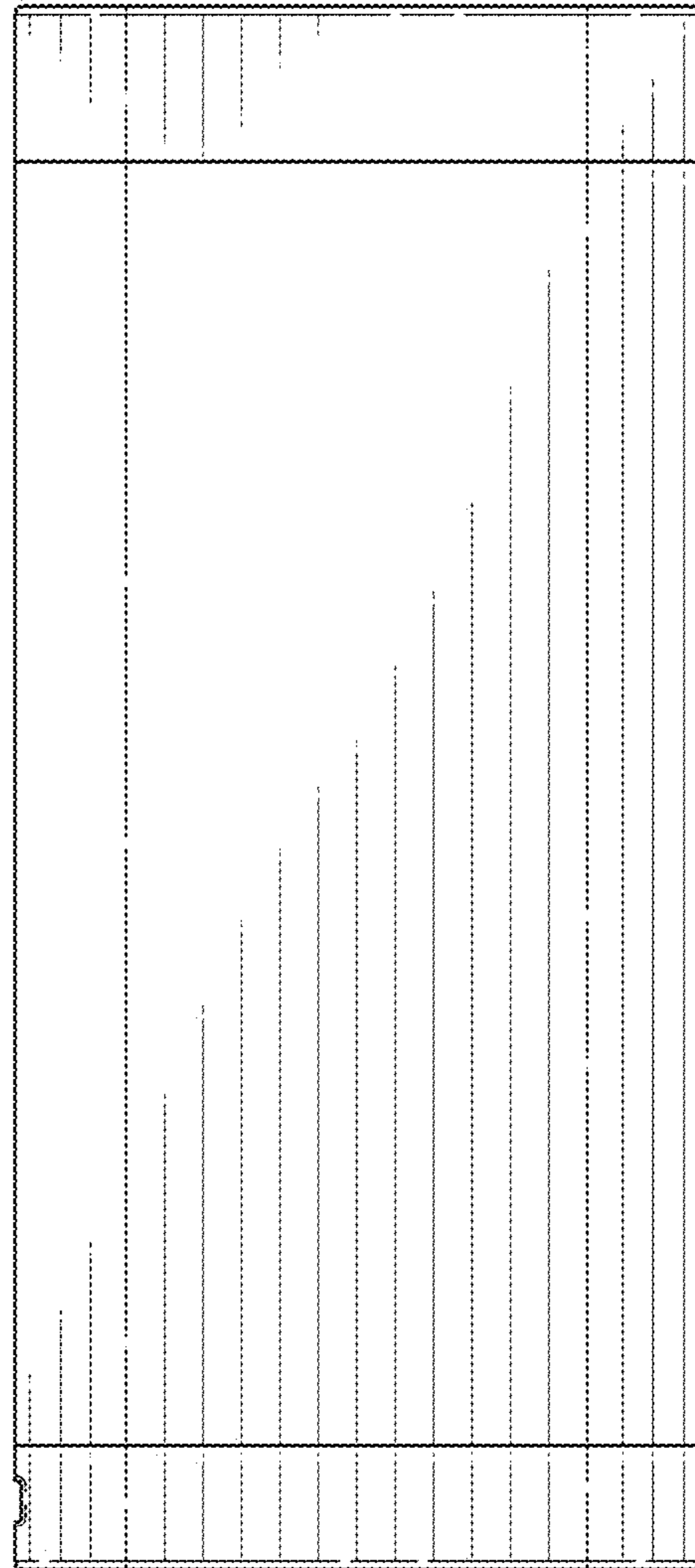


FIG. 3

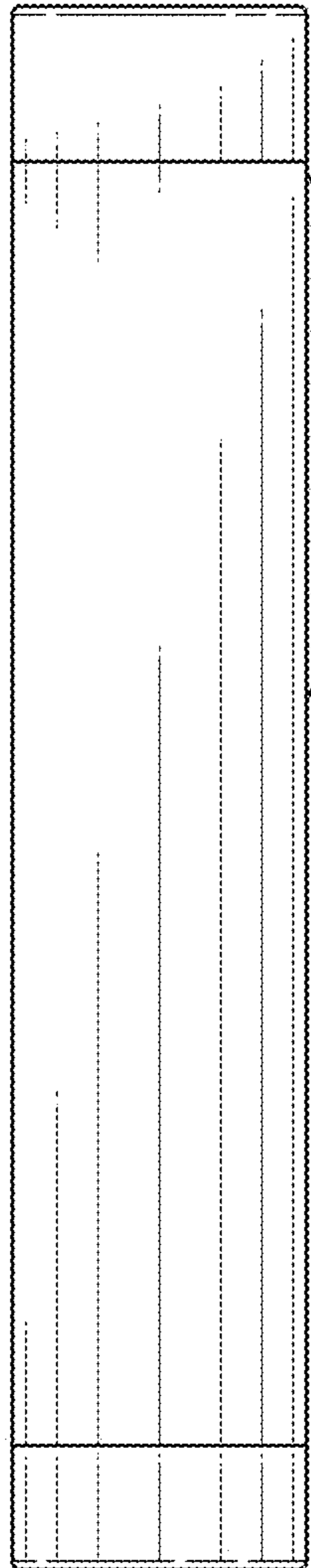


FIG. 4

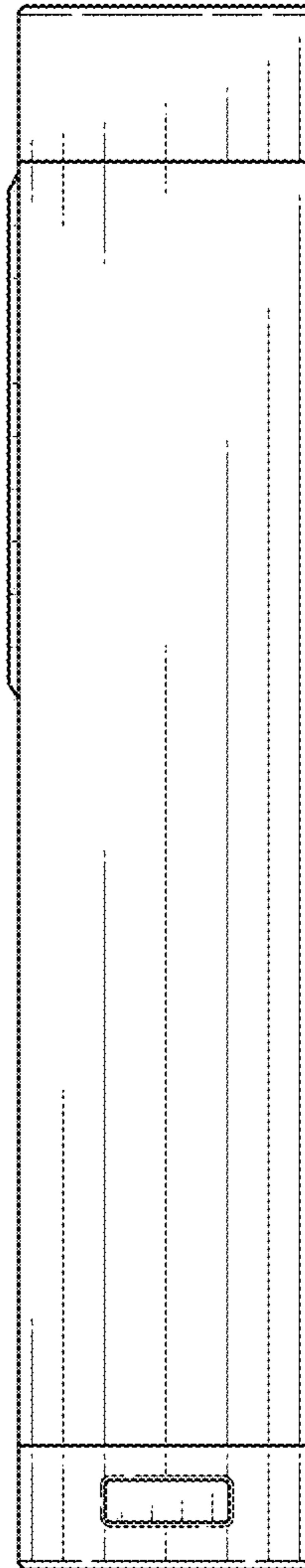


FIG. 5

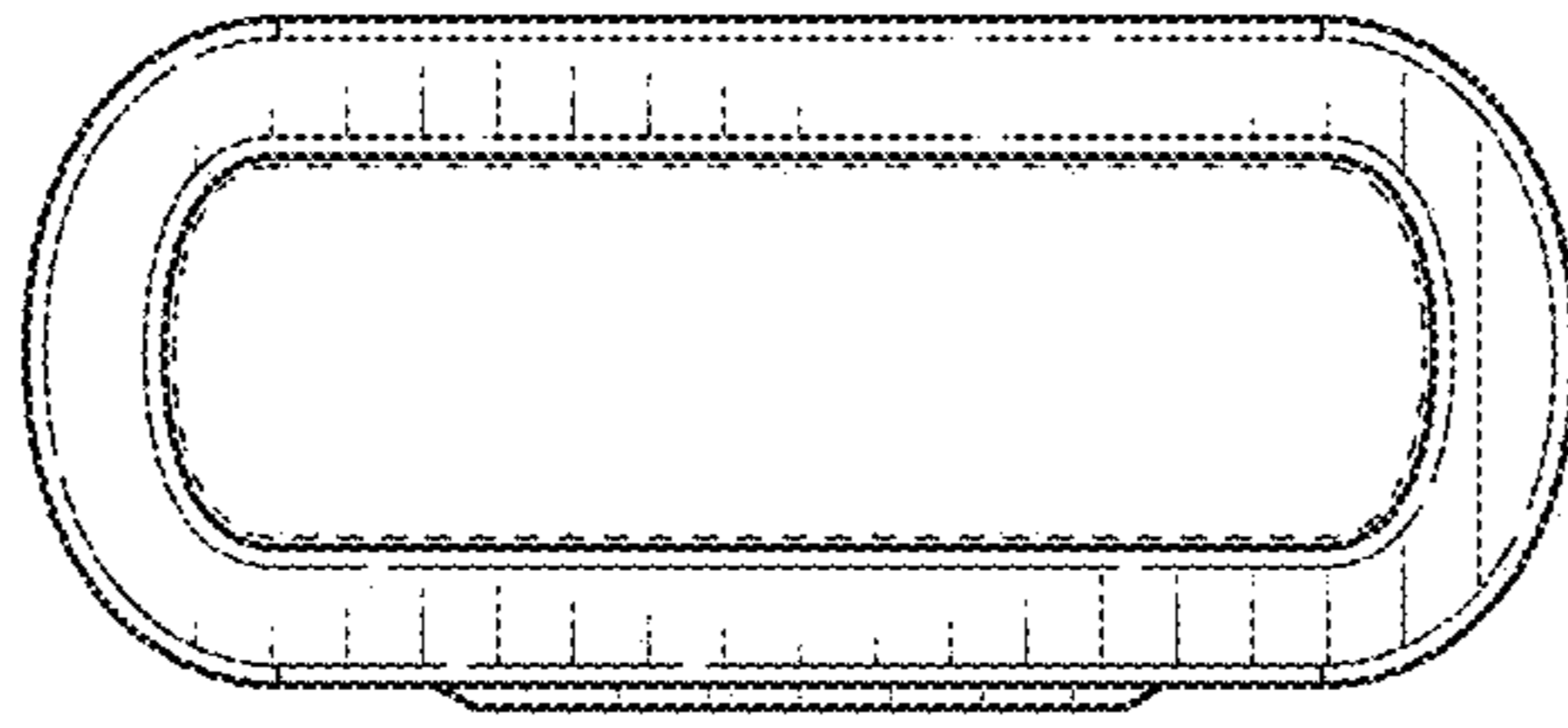


FIG. 6

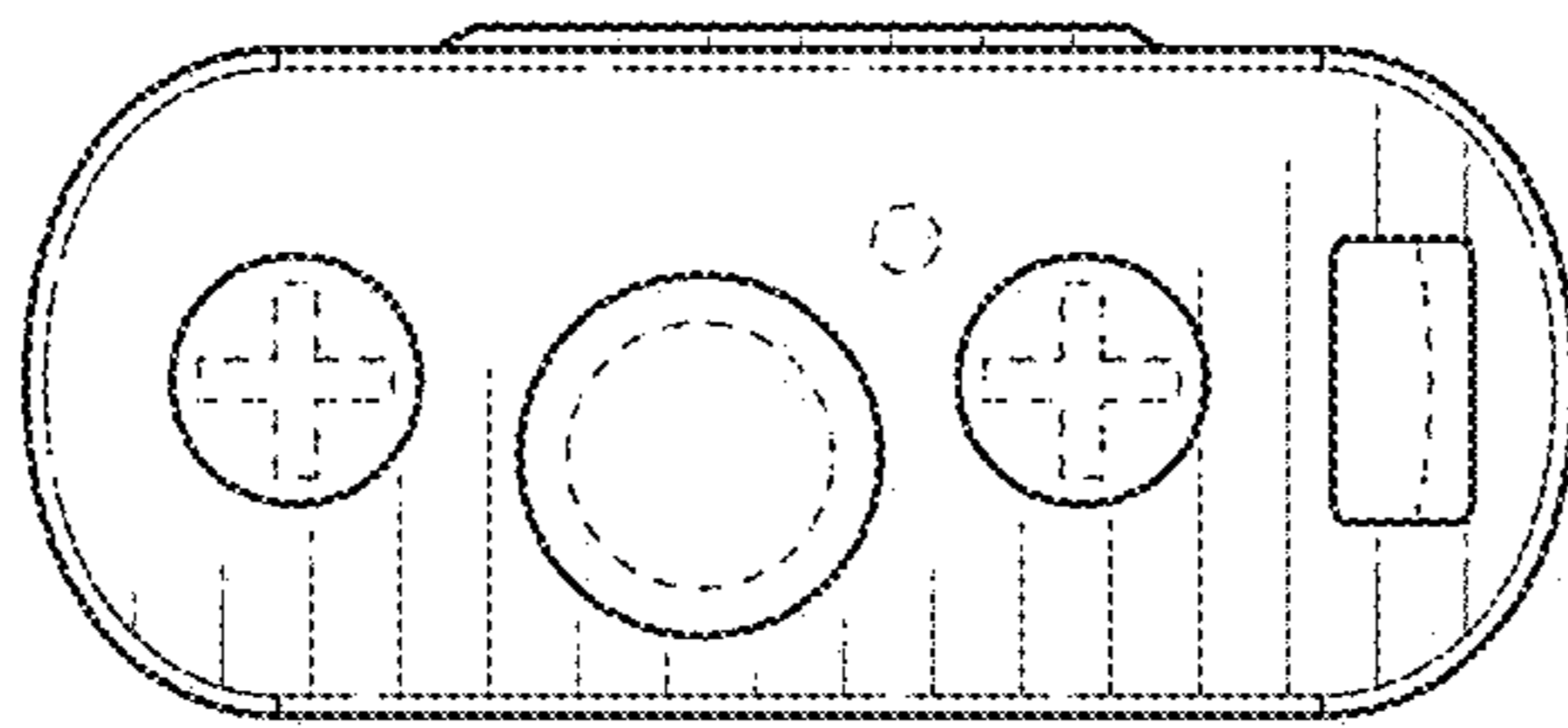


FIG. 7