



US00D903301S

(12) **United States Design Patent**  
**Chen**

(10) **Patent No.:** **US D903,301 S**

(45) **Date of Patent:** **\*\* Dec. 1, 2020**

(54) **PENCIL CASE**

(71) Applicant: **Shenzhen Yuanmaxun Technology Co., Ltd.**, Shenzhen (CN)

(72) Inventor: **Li Chen**, Shenzhen (CN)

(73) Assignee: **SHENZHEN YUANMAXUN TECHNOLOGY CO., LTD.**, Shenzhen (CN)

(\*\*) Term: **15 Years**

(21) Appl. No.: **29/698,898**

(22) Filed: **Jul. 22, 2019**

(51) **LOC (12) Cl.** ..... **03-03**

(52) **U.S. Cl.**  
USPC ..... **D3/206**

(58) **Field of Classification Search**  
USPC ..... D3/205, 206, 315–317  
See application file for complete search history.

(56) **References Cited**

**U.S. PATENT DOCUMENTS**

D101,439 S \* 10/1936 Doppelt ..... D3/301  
D106,132 S \* 9/1937 Doppelt ..... D3/301

D377,861 S \* 2/1997 Jacober ..... D3/203.1  
D816,984 S \* 5/2018 Jusic ..... D3/205  
D857,375 S \* 8/2019 Case ..... D3/205  
D858,086 S \* 9/2019 Case ..... D3/205  
D883,656 S \* 5/2020 Huai ..... D3/206

\* cited by examiner

*Primary Examiner* — Charles D Hanson

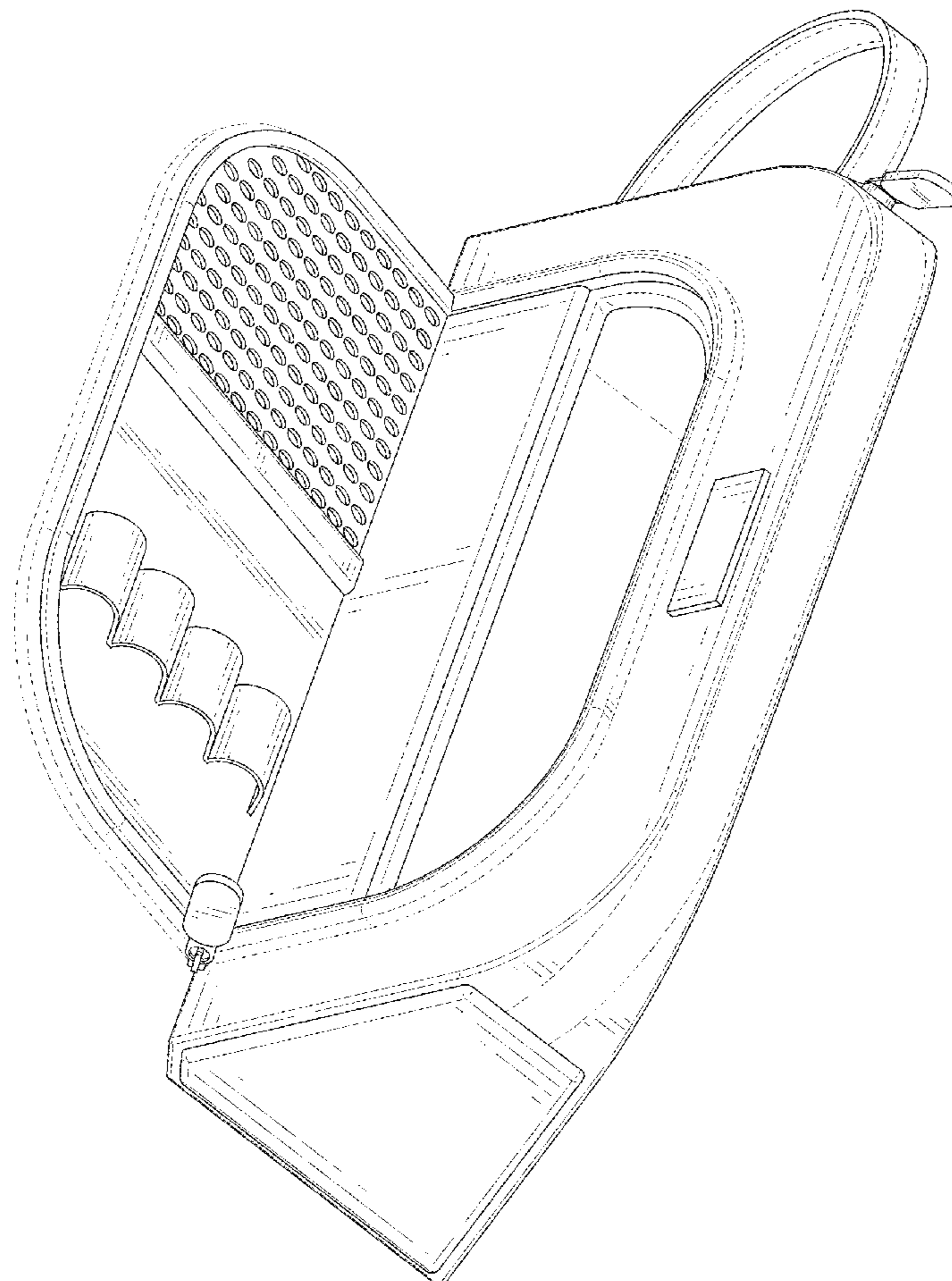
(57) **CLAIM**

The ornamental design for a pencil case, as shown and described.

**DESCRIPTION**

FIG. 1 is a perspective view of a pencil case showing my new design;  
FIG. 2 is another perspective view thereof;  
FIG. 3 is a front elevational view thereof;  
FIG. 4 is a rear elevational view thereof;  
FIG. 5 is a left side elevational view thereof;  
FIG. 6 is a right side elevational view thereof;  
FIG. 7 is a top plan view thereof; and,  
FIG. 8 is a bottom plan view thereof.  
The broken lines in the drawings depict portions of the pencil case that form no part of the claimed design.

**1 Claim, 8 Drawing Sheets**



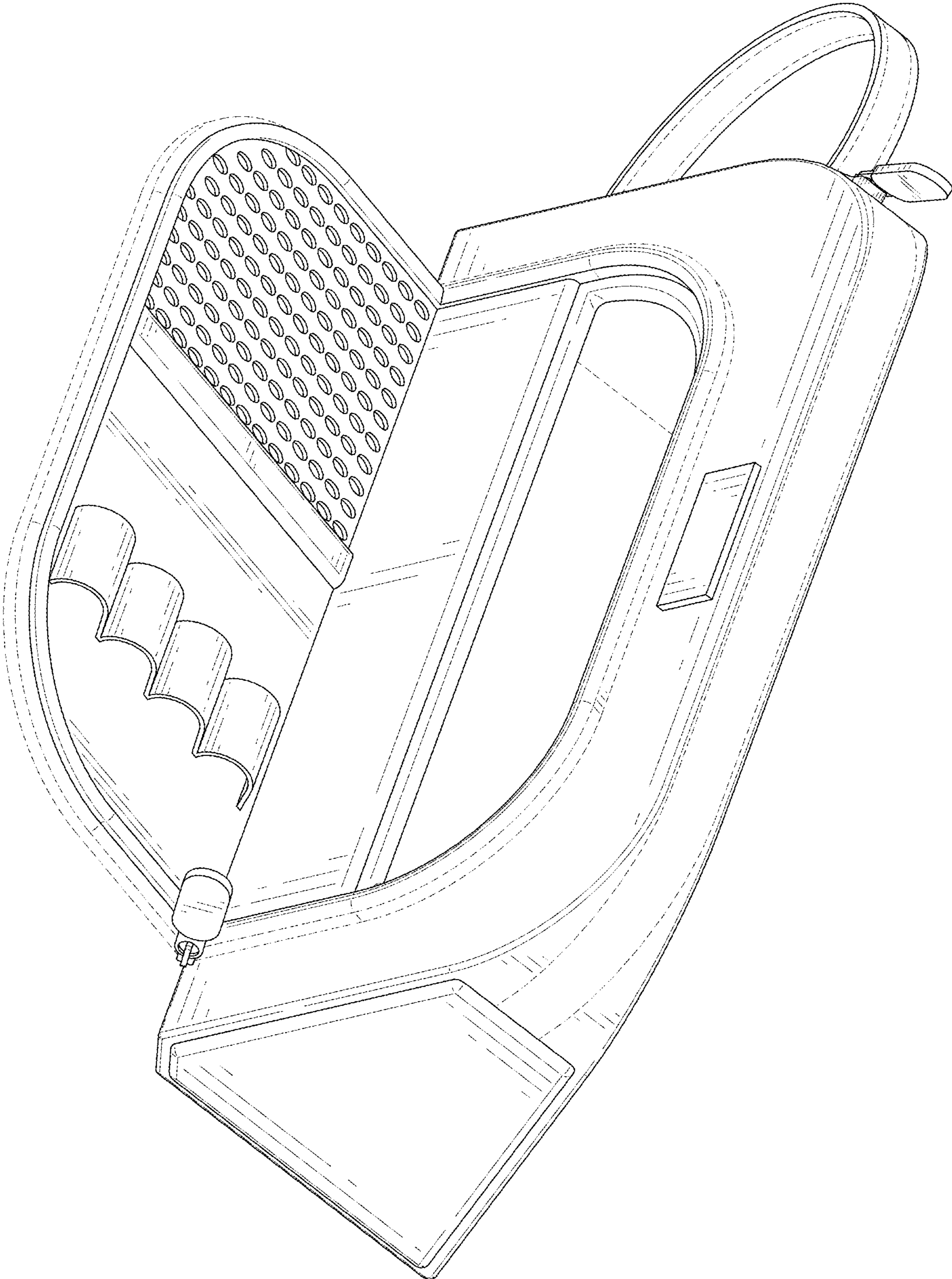


FIG. 1

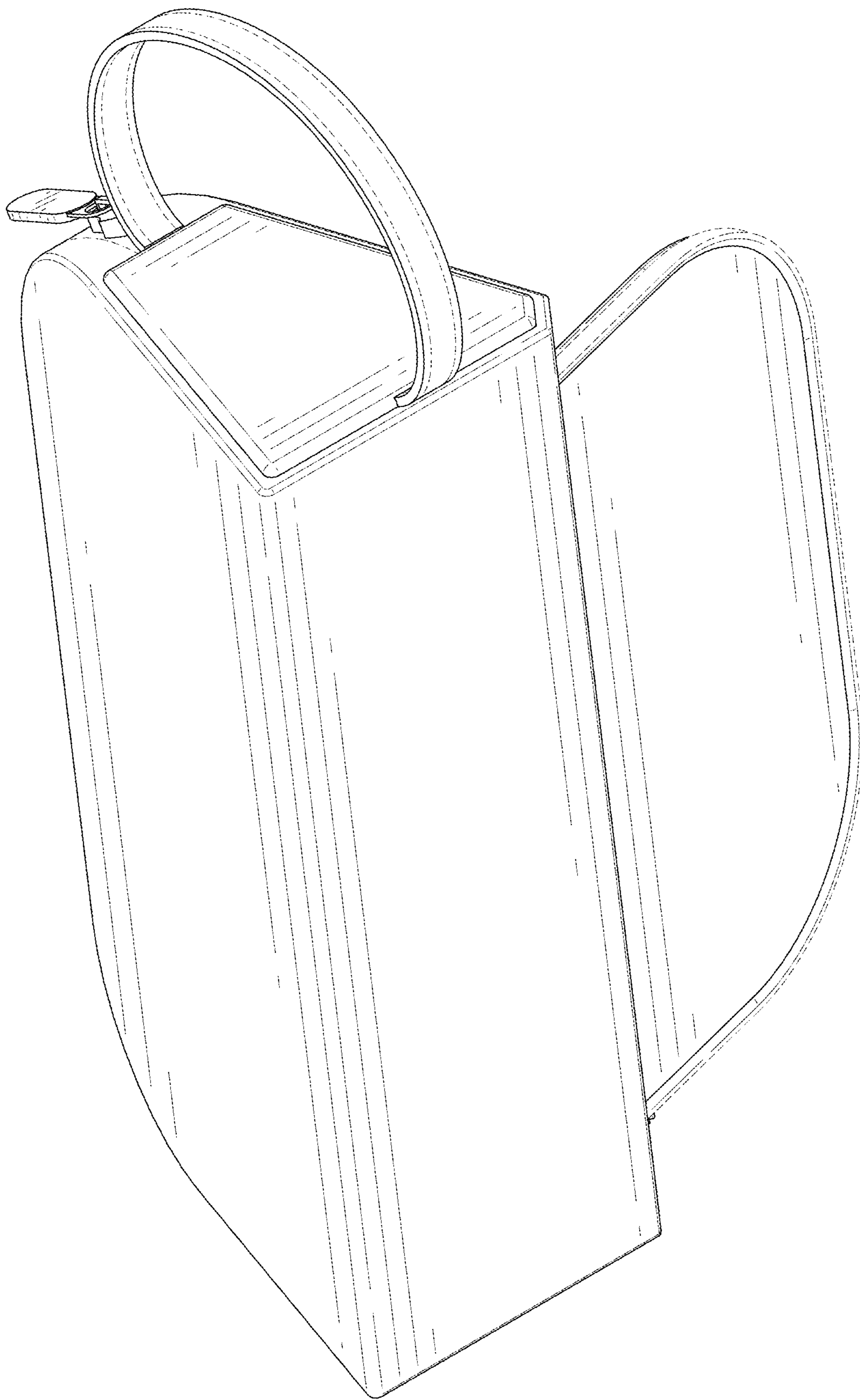


FIG. 2

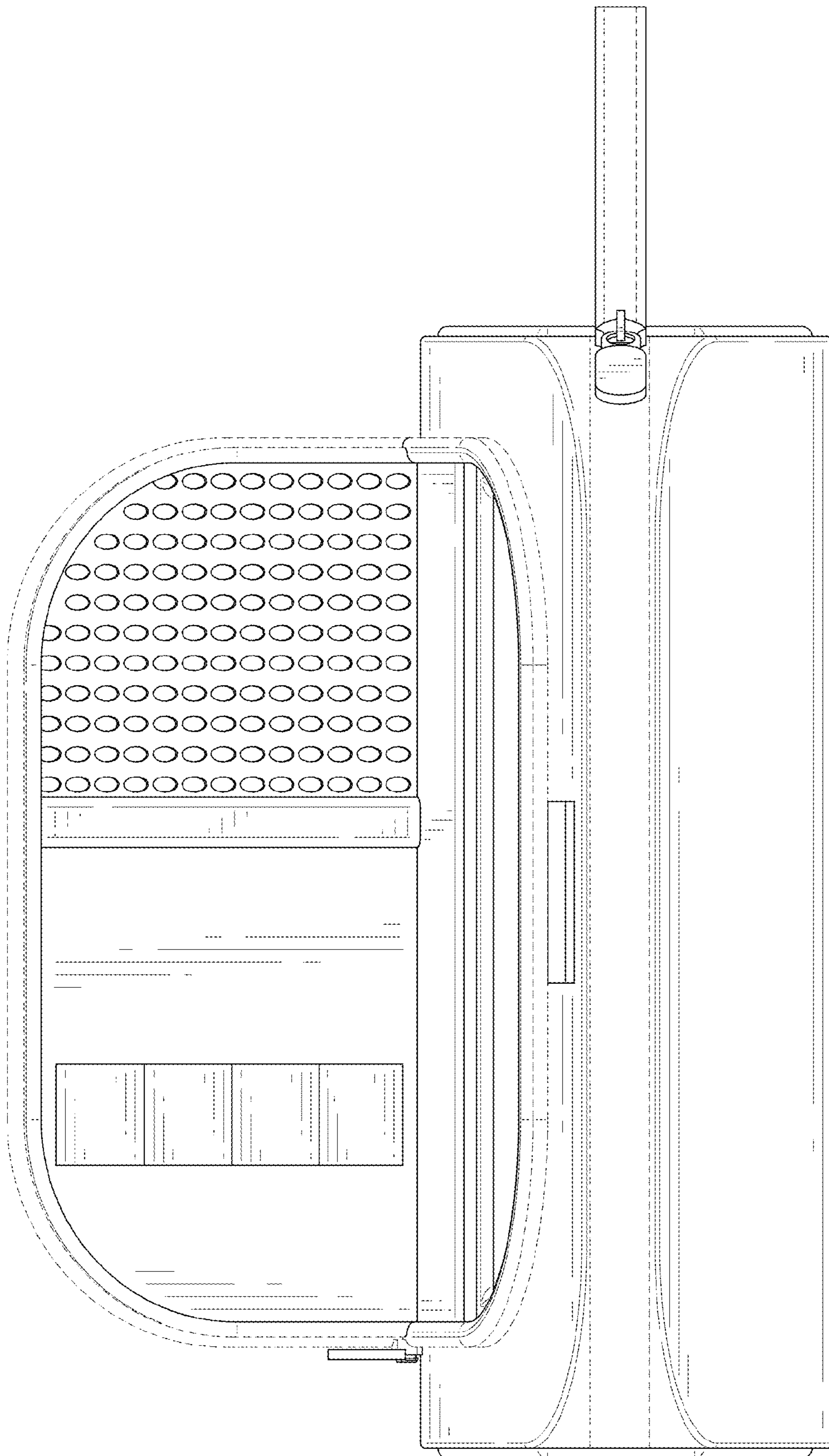


FIG. 3

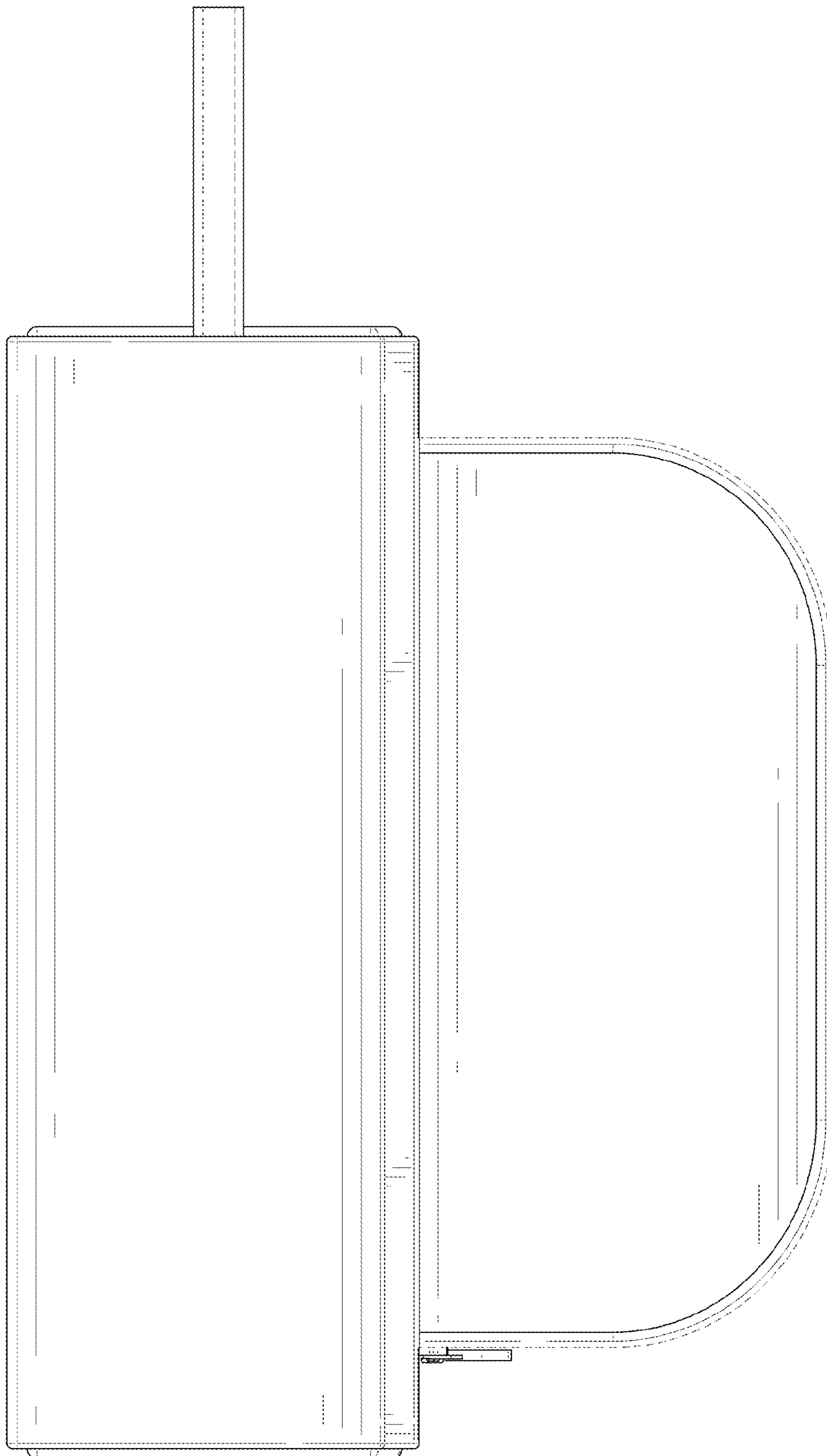


FIG. 4

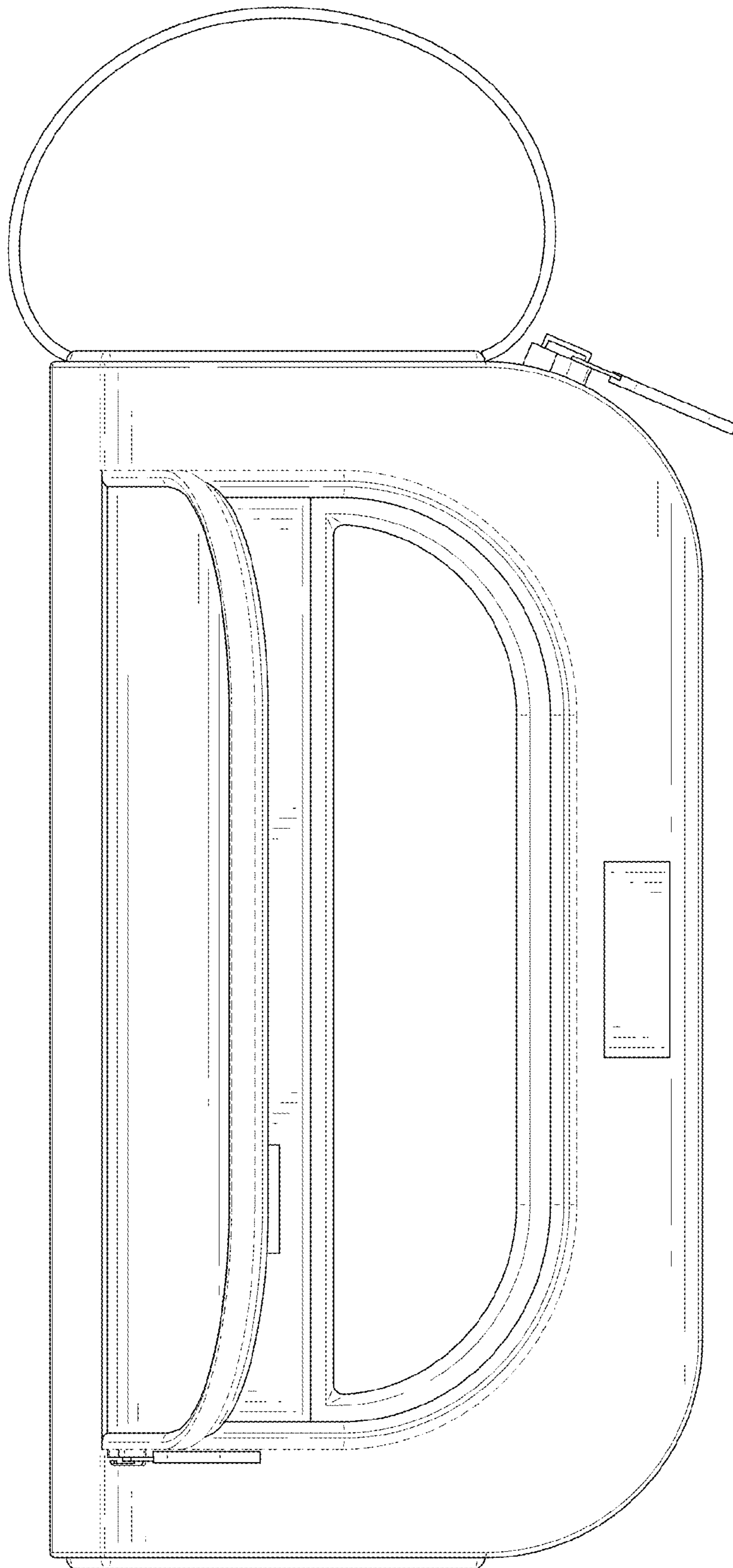


FIG. 5

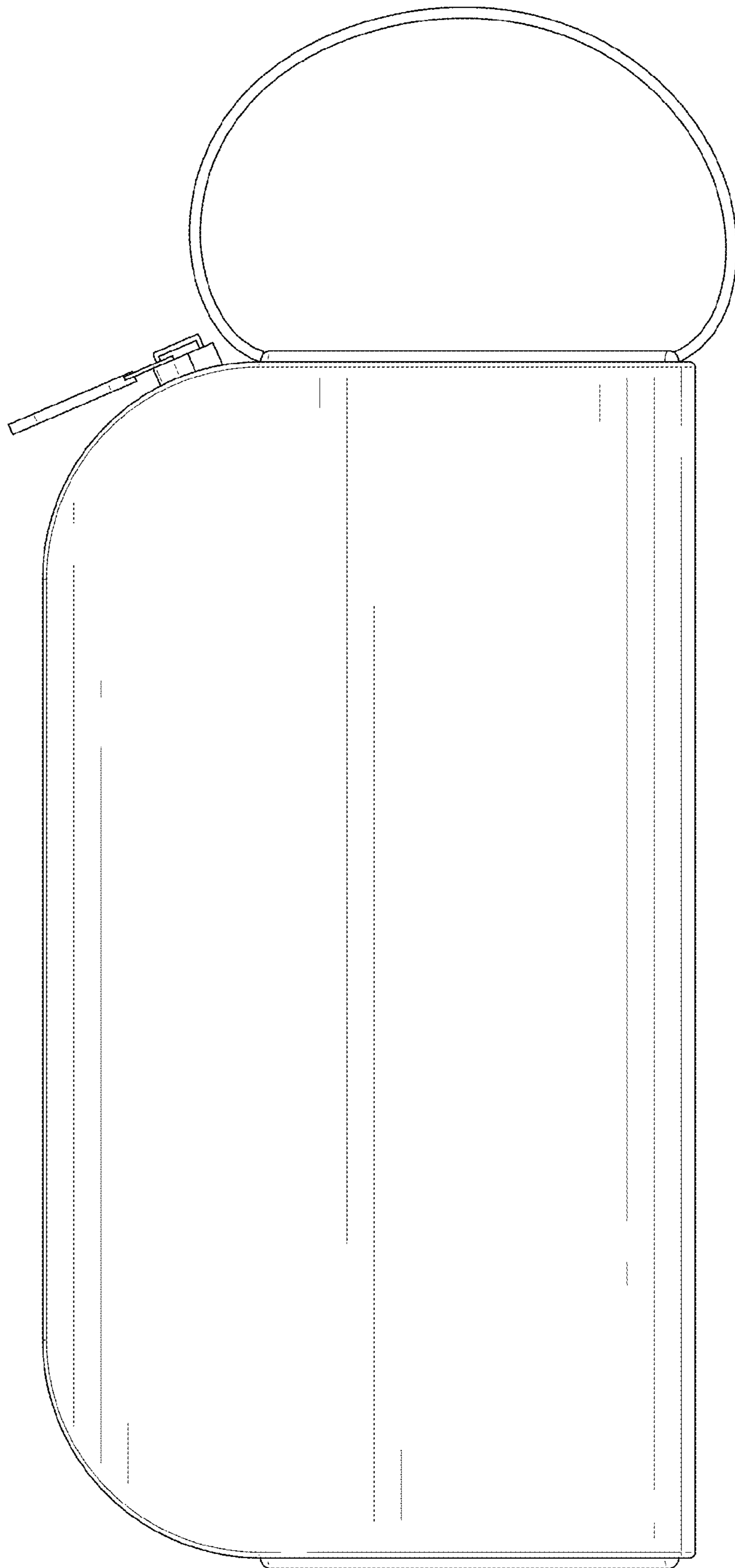


FIG. 6

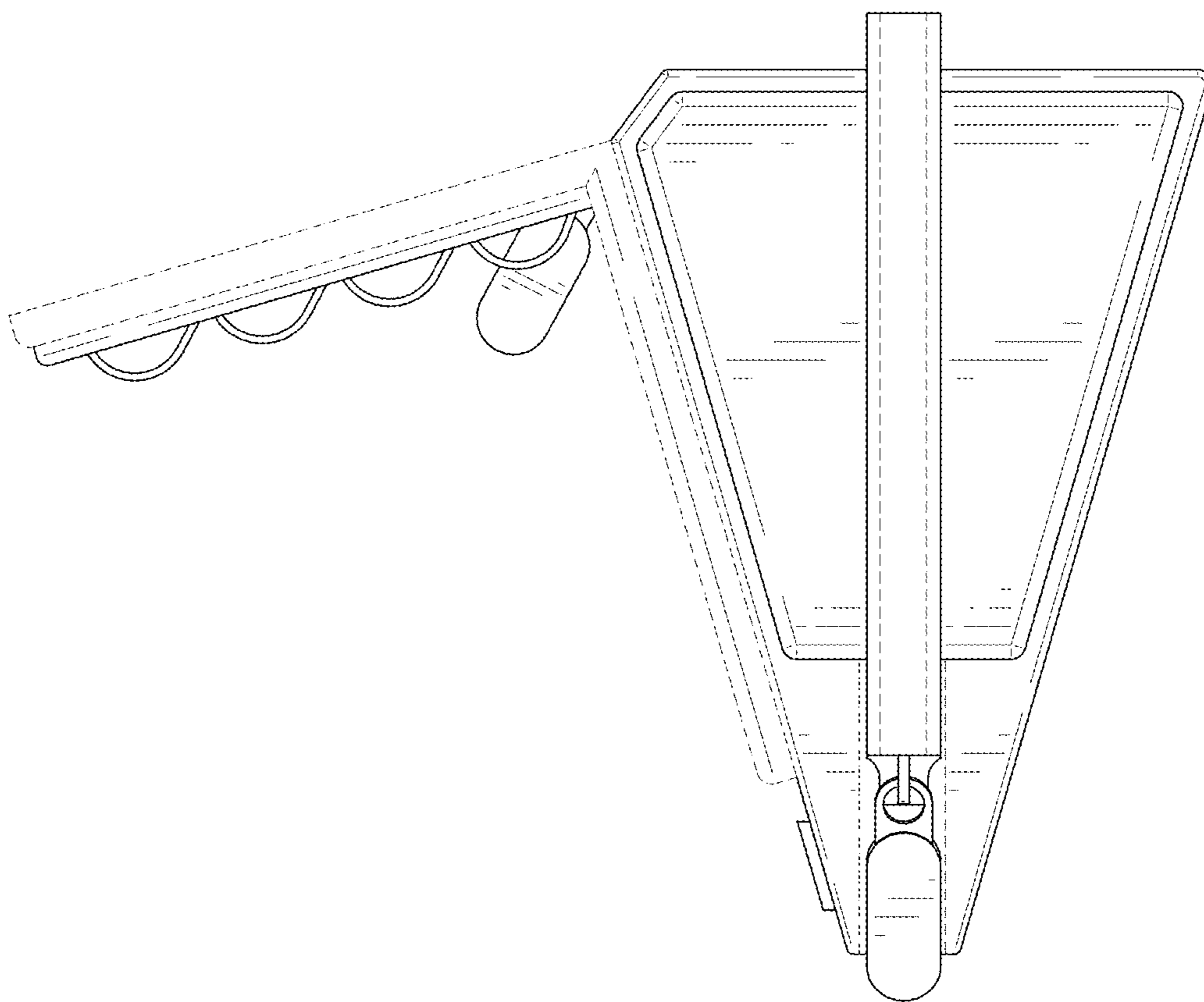


FIG. 7



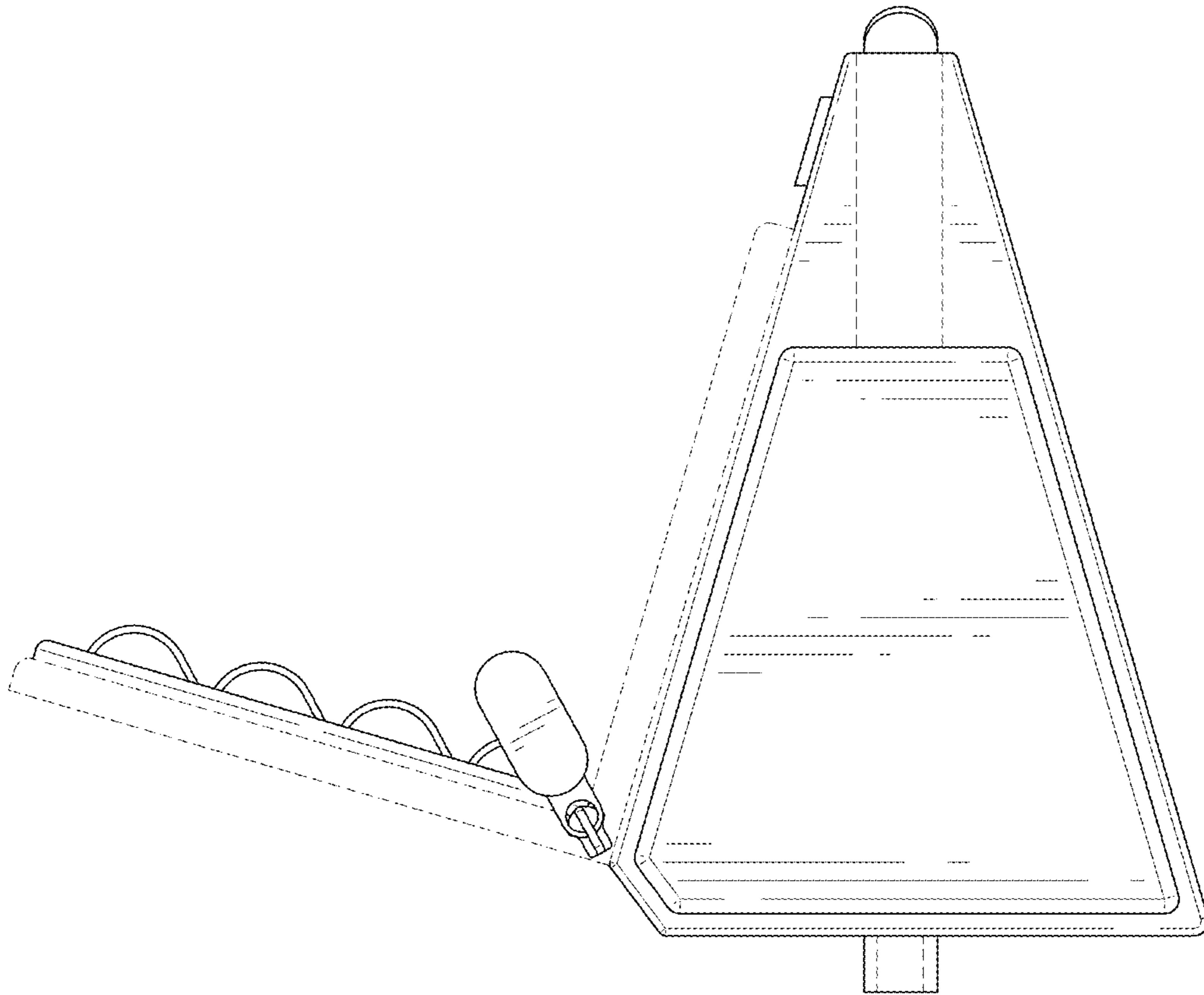


FIG. 8