



US00D903300S

(12) **United States Design Patent**
Chen

(10) **Patent No.:** **US D903,300 S**

(45) **Date of Patent:** **** Dec. 1, 2020**

(54) **PENCIL CASE**

(71) Applicant: **SHENZHEN YUANMAXUN TECHNOLOGY CO., LTD.**, Shenzhen (CN)

(72) Inventor: **Li Chen**, Shenzhen (CN)

(73) Assignee: **SHENZHEN YUANMAXUN TECHNOLOGY CO., LTD.**, Shenzhen (CN)

(**) Term: **15 Years**

(21) Appl. No.: **29/697,448**

(22) Filed: **Jul. 9, 2019**

(51) **LOC (12) Cl.** **03-03**

(52) **U.S. Cl.**
USPC **D3/206**

(58) **Field of Classification Search**
USPC D3/205, 206
CPC A45C 11/00; A45C 11/008; A45C 11/26;
A45C 2011/007; A45C 9/00; A45D 44/18
See application file for complete search history.

(56) **References Cited**

U.S. PATENT DOCUMENTS

D101,439 S * 10/1936 Doppelt D3/301
D106,132 S * 9/1937 Doppelt D3/301

D377,861 S * 2/1997 Jacober D3/203.1
D816,984 S * 5/2018 Jusic D3/205
D857,375 S * 8/2019 Case D3/205
D858,086 S * 9/2019 Case D3/205
D883,656 S * 5/2020 Huai D3/206

* cited by examiner

Primary Examiner — Charles D Hanson

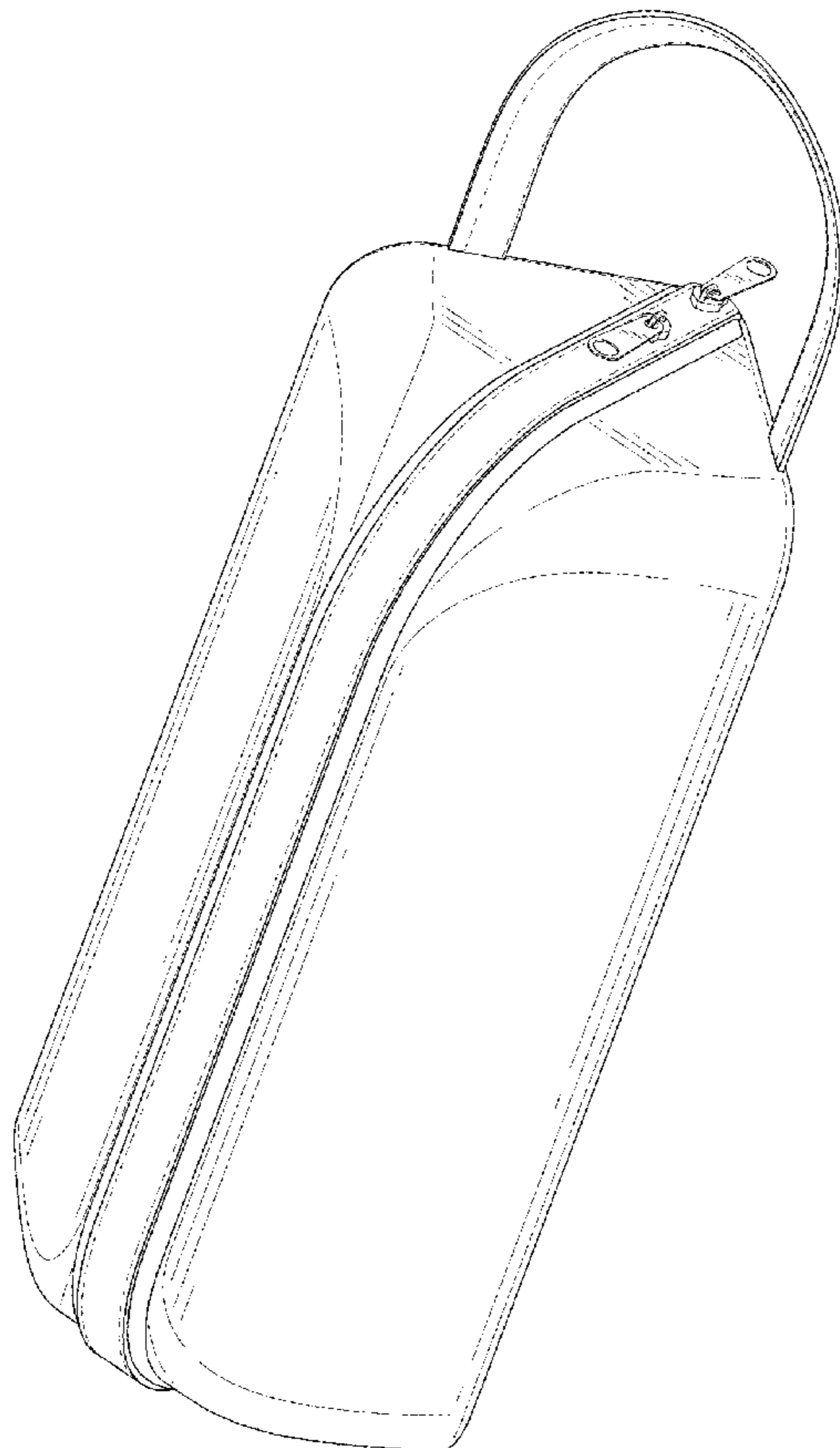
(57) **CLAIM**

The ornamental design for a pencil case, as shown and described.

DESCRIPTION

FIG. 1 is a perspective view of a pencil case showing my new design;
FIG. 2 is another perspective view thereof;
FIG. 3 is a front elevational view thereof;
FIG. 4 is a rear elevational view thereof;
FIG. 5 is a left side elevational view thereof;
FIG. 6 is a right side elevational view thereof;
FIG. 7 is a top plan view thereof; and,
FIG. 8 is a bottom plan view thereof.
The broken lines in the drawings depict portions of the pencil case that form no part of the claimed design.

1 Claim, 8 Drawing Sheets



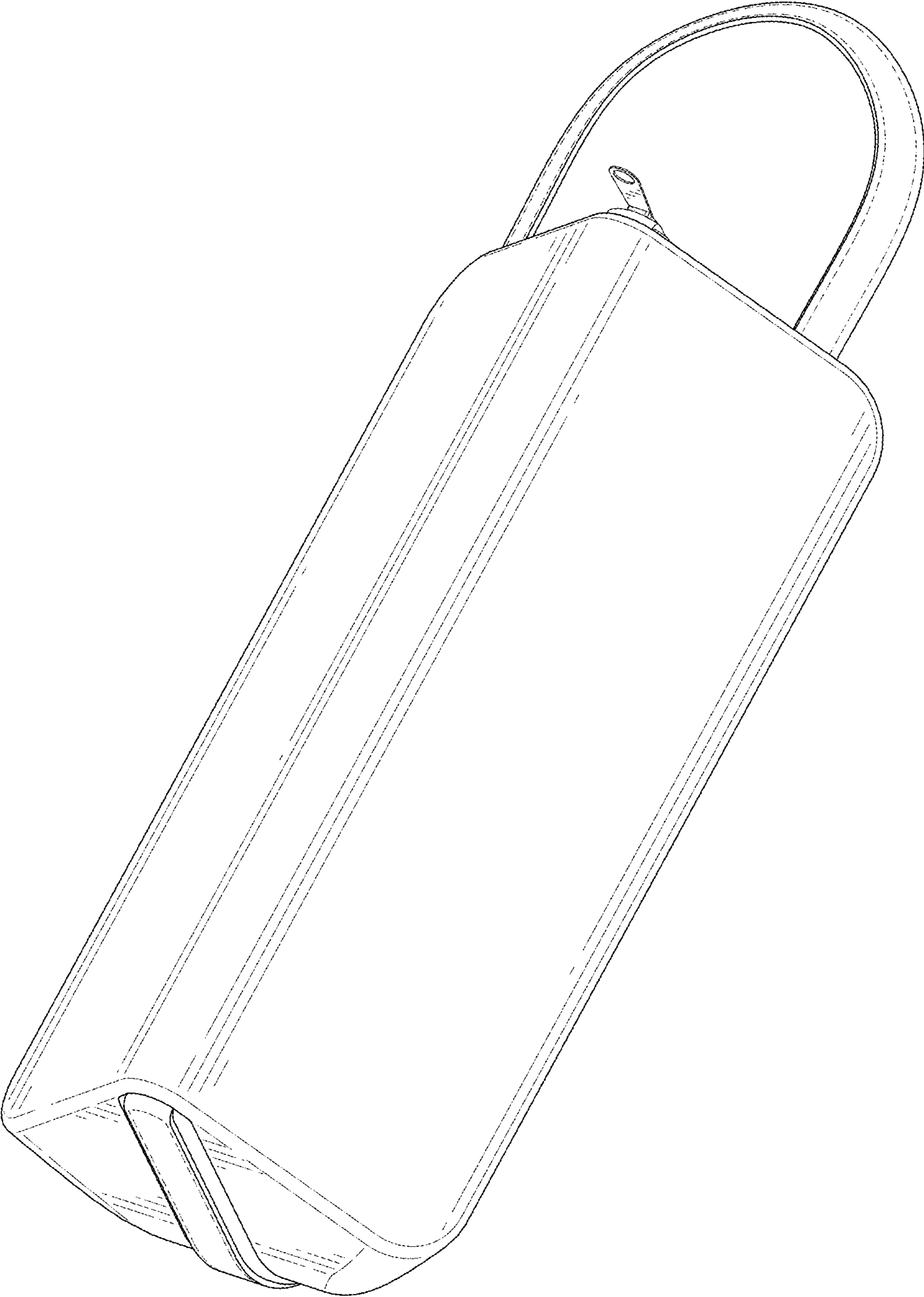


FIG. 1

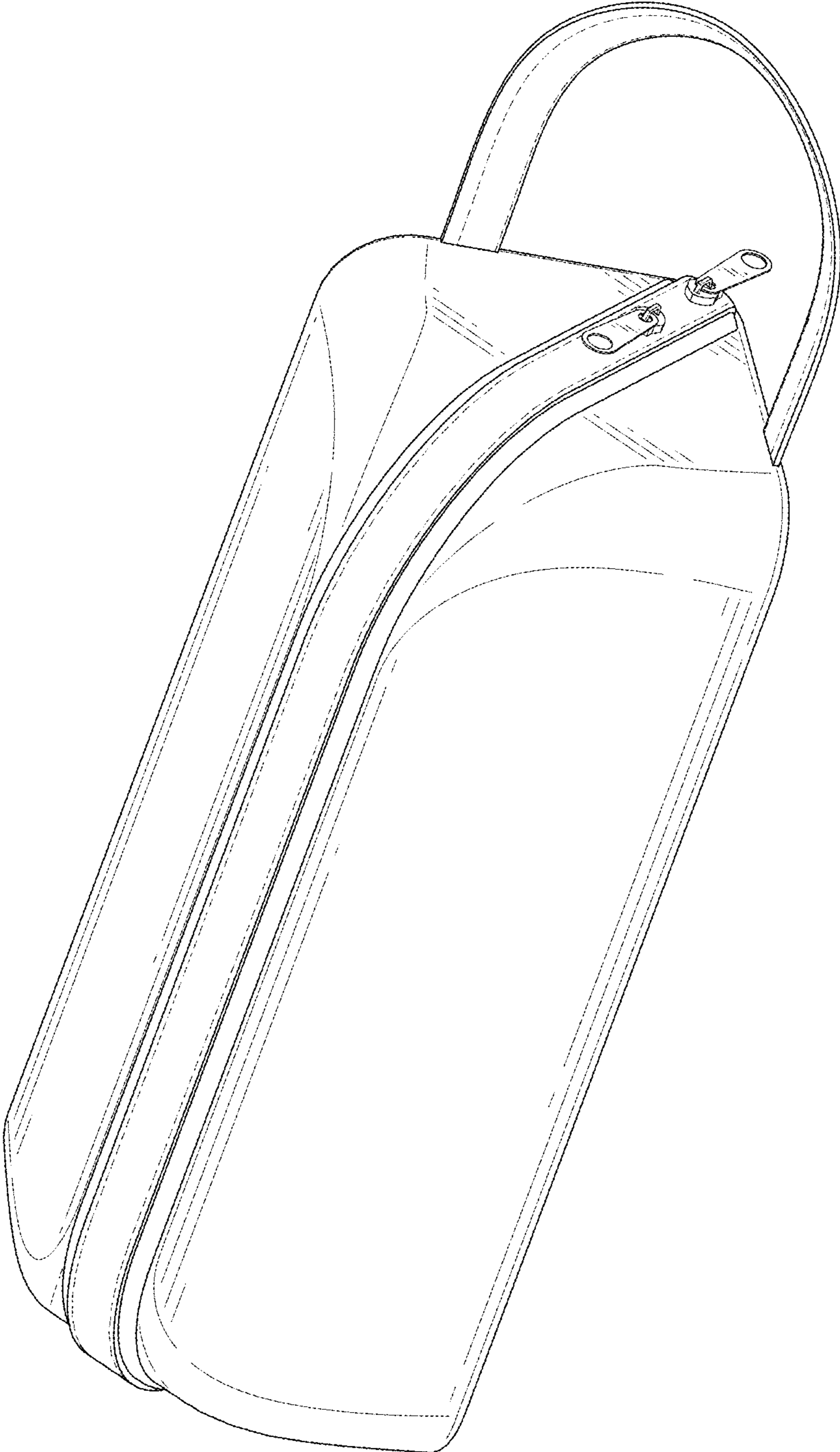


FIG. 2

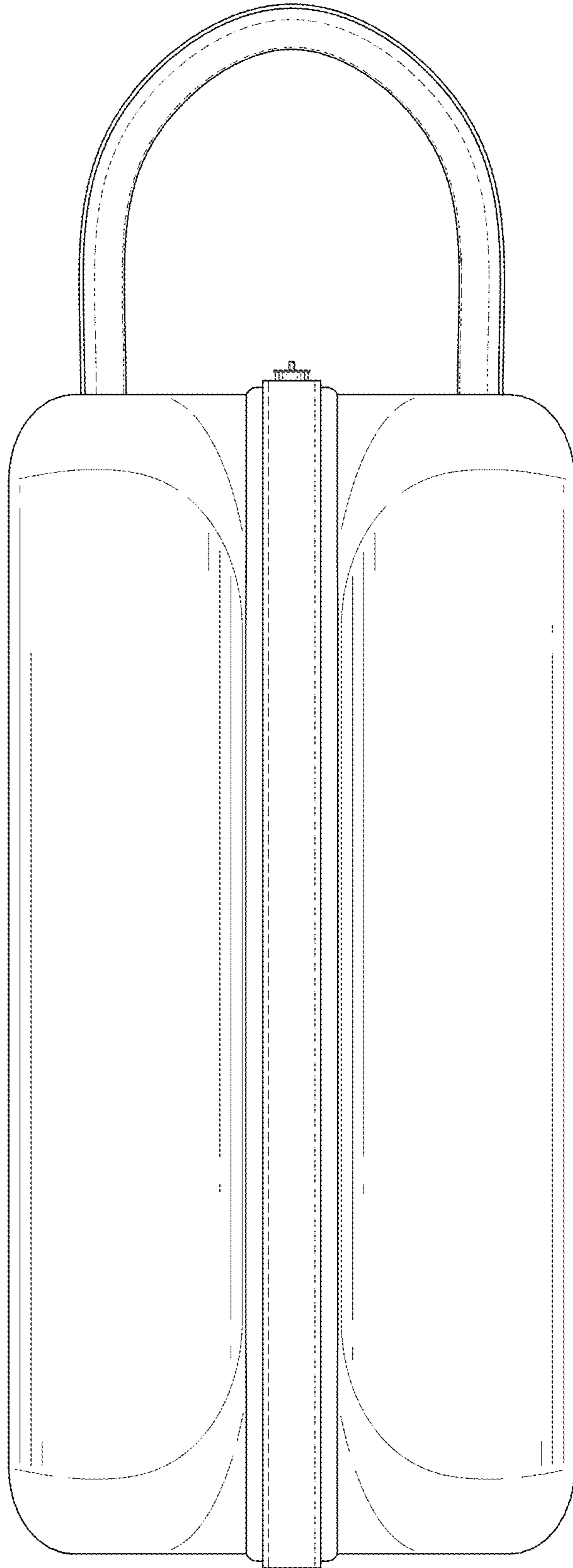


FIG. 3

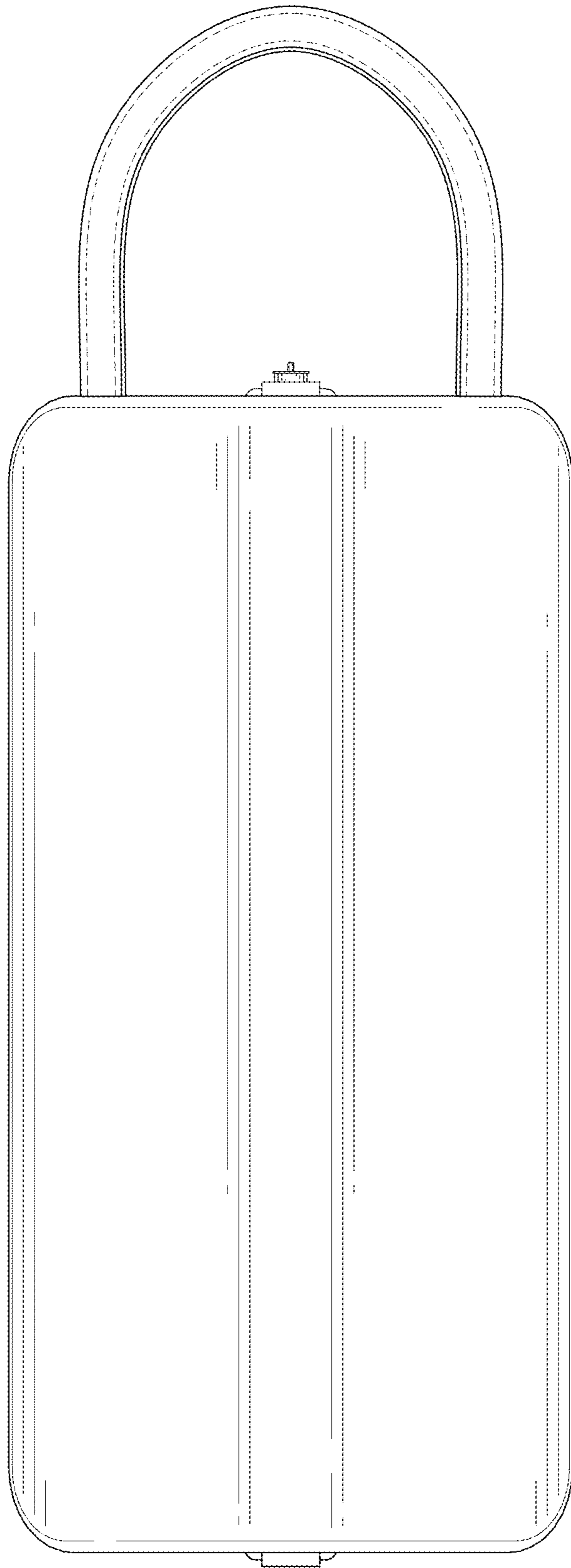


FIG. 4

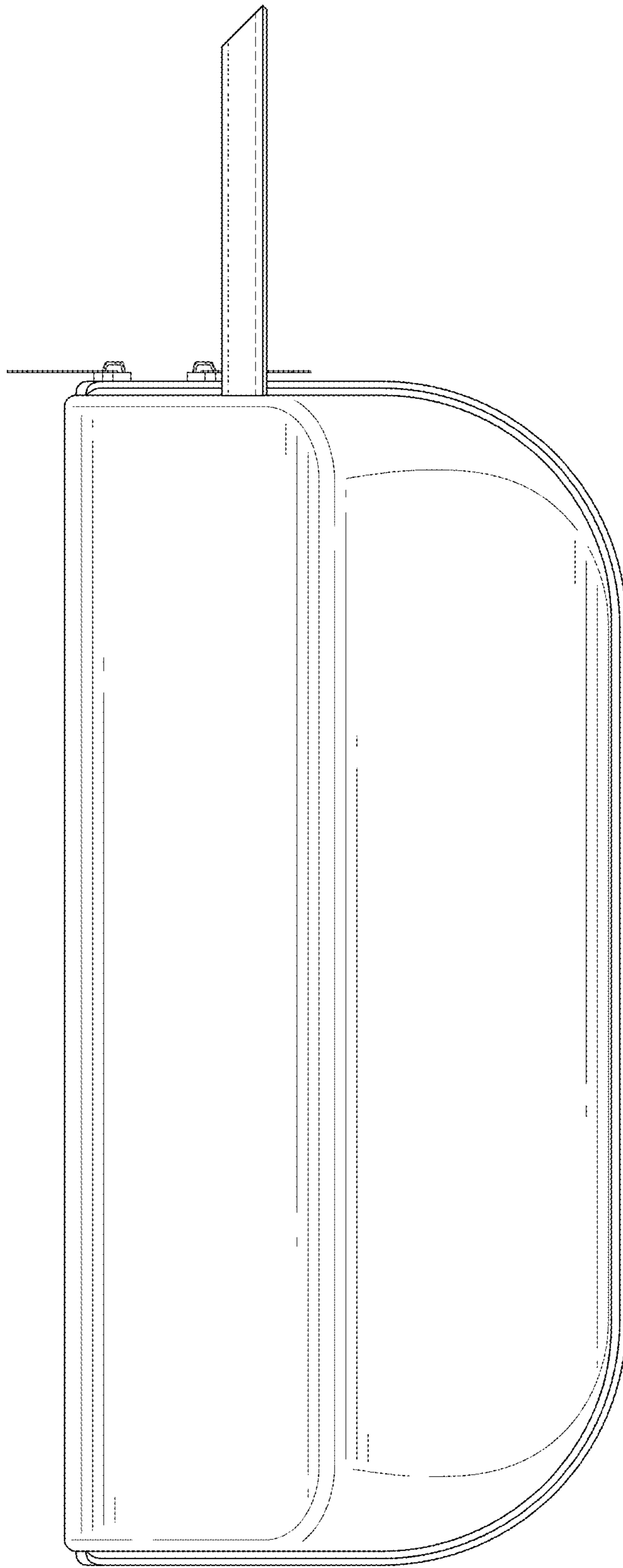


FIG. 5

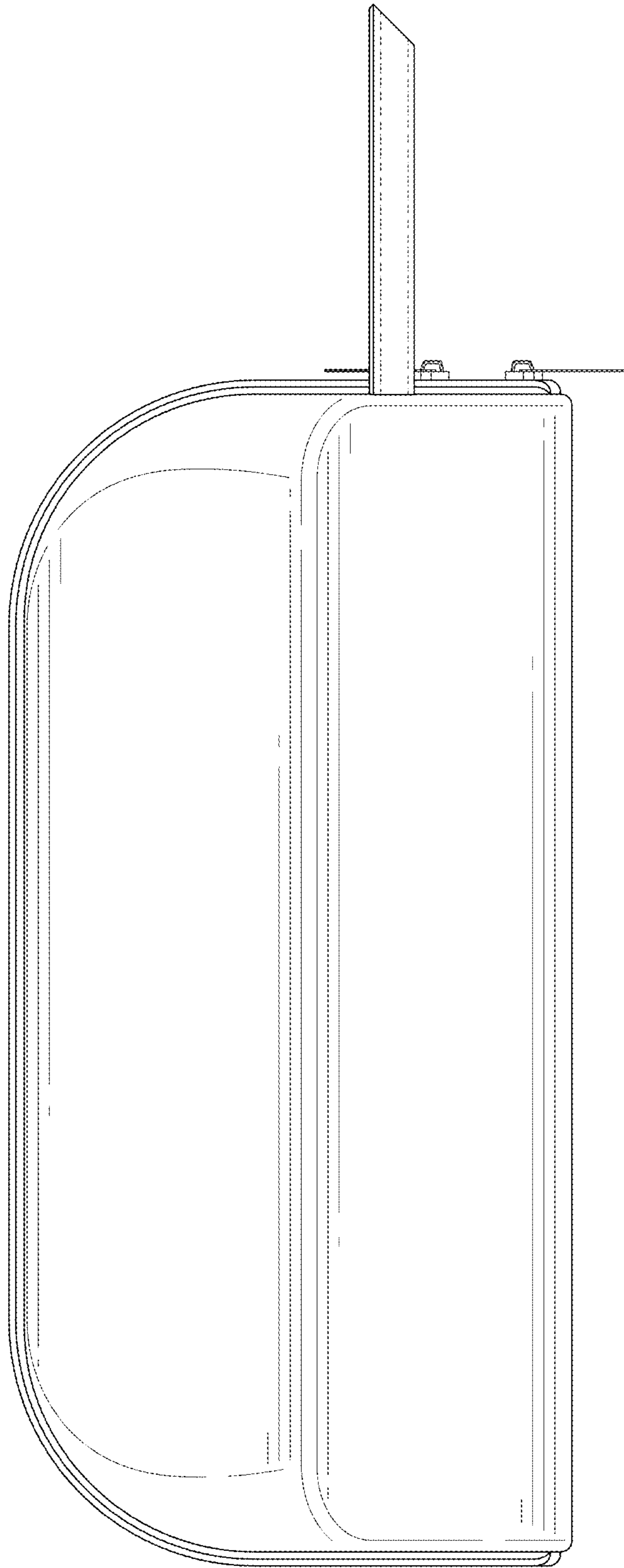


FIG. 6

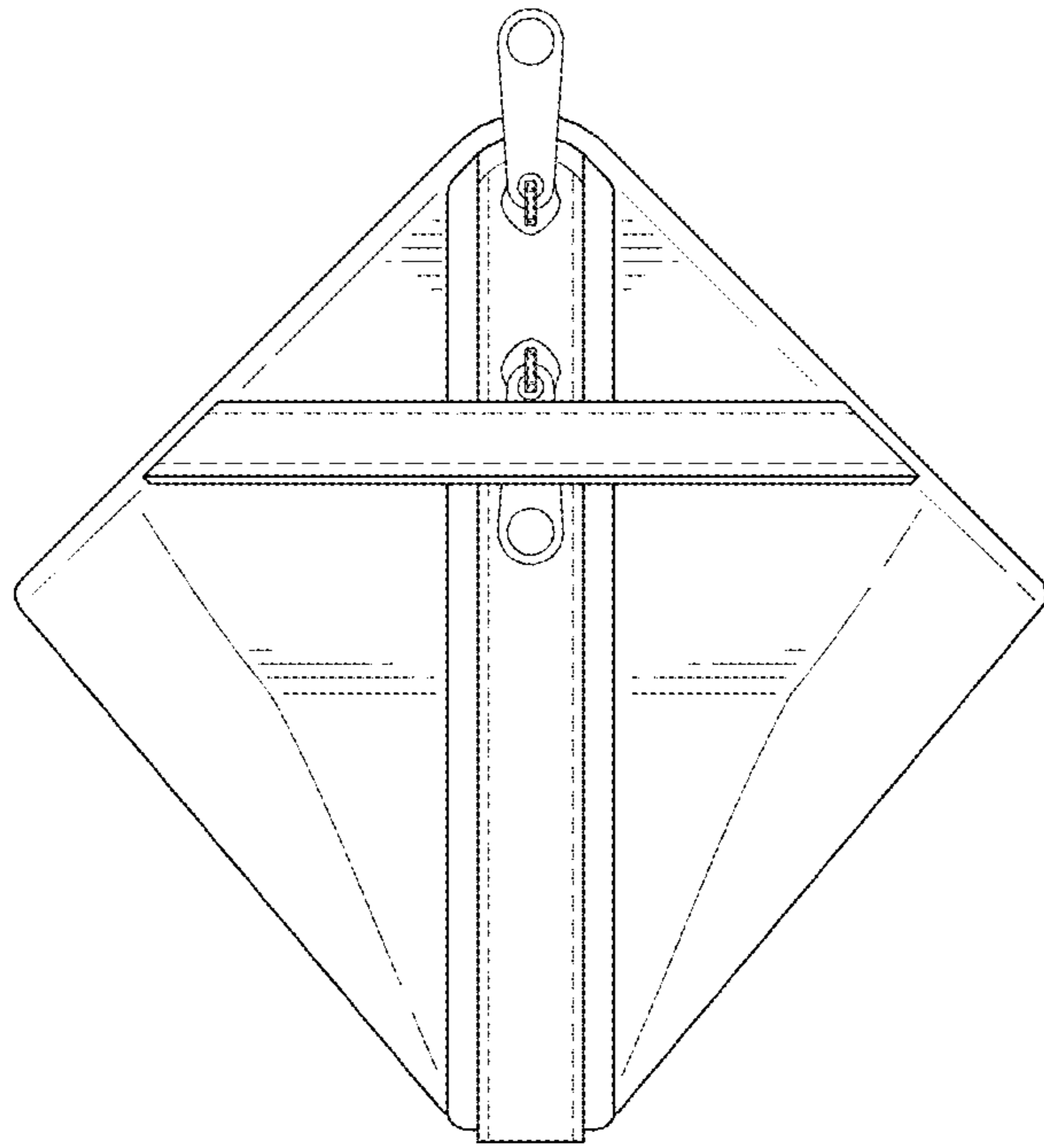


FIG. 7

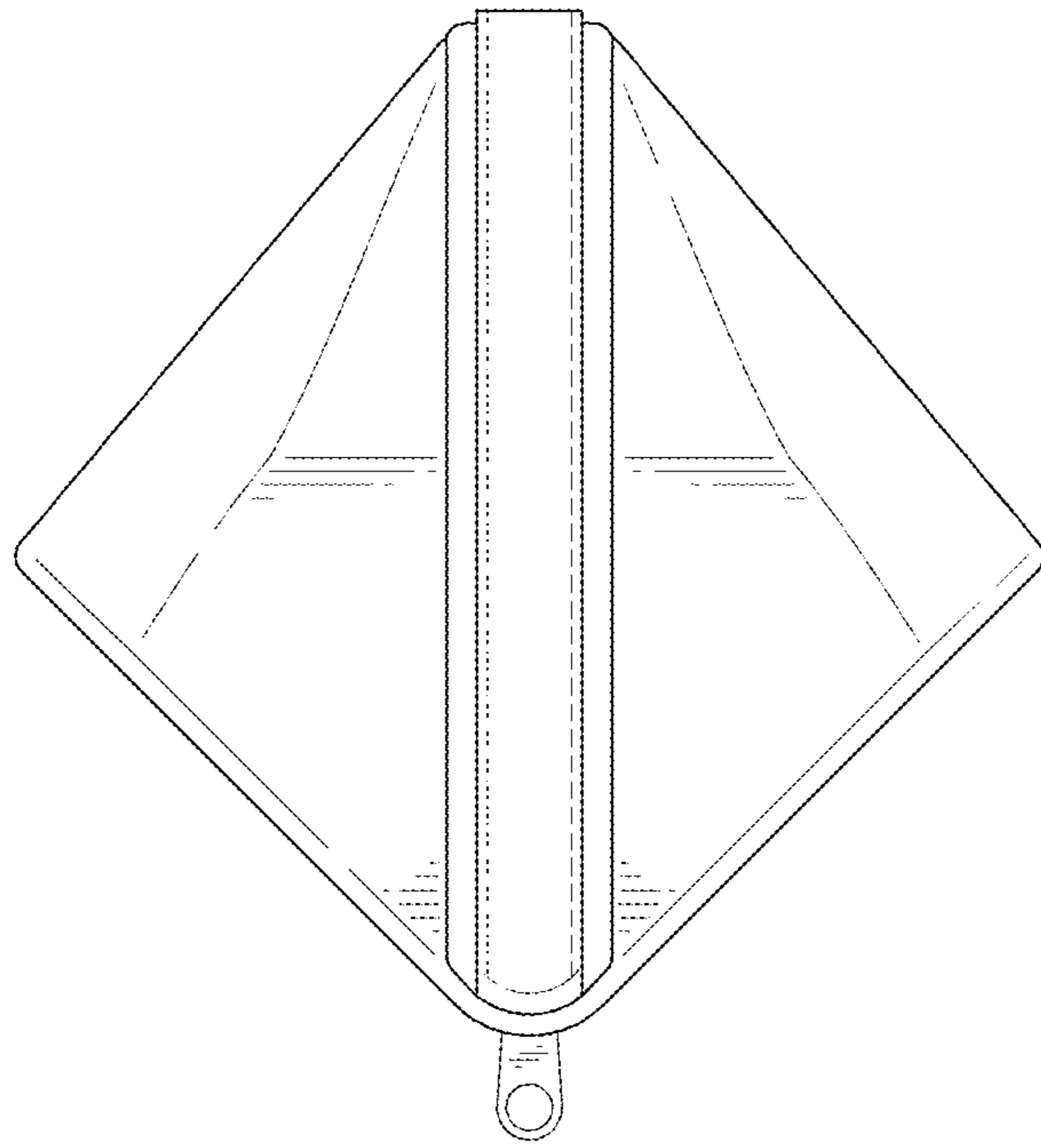


FIG. 8