



US00D903299S

(12) **United States Design Patent** (10) **Patent No.:** **US D903,299 S**  
**Martinez** (45) **Date of Patent:** **\*\* Dec. 1, 2020**

- (54) **VIAL HOLDER**
- (71) Applicant: **Michael A. Martinez**, Upland, CA  
(US)
- (72) Inventor: **Michael A. Martinez**, Upland, CA  
(US)
- (\*\*) Term: **15 Years**
- (21) Appl. No.: **29/701,240**
- (22) Filed: **Aug. 9, 2019**
- (51) **LOC (12) Cl.** ..... **03-01**
- (52) **U.S. Cl.**  
USPC ..... **D3/203.1**
- (58) **Field of Classification Search**  
USPC ..... D3/201, 202, 203.1, 215; D7/607, 608,  
D7/619.1, 624.1, 624.2  
CPC ..... A45F 5/021; A45F 2005/006; A45F 3/02;  
A45F 3/14; A45F 5/10; A47G 23/0208;  
A47G 23/0216; A47G 23/0241; A47G  
23/0266  
See application file for complete search history.

- (56) **References Cited**  
U.S. PATENT DOCUMENTS
- D315,058 S \* 3/1991 Burke ..... D3/202
- 5,111,968 A \* 5/1992 Wilkerson ..... F41H 9/10  
222/175
- D331,629 S \* 12/1992 Stewart ..... D24/199
- 5,183,183 A \* 2/1993 Hernandez ..... A45F 3/16  
206/221
- D334,870 S \* 4/1993 Griffin ..... D3/202
- D340,583 S \* 10/1993 Kahn ..... D3/202
- D379,711 S \* 6/1997 Fitzgerald ..... D3/202
- D399,049 S \* 10/1998 Adams ..... D3/202
- 5,833,093 A \* 11/1998 Honaker ..... A45C 11/008  
222/175
- D404,562 S \* 1/1999 Brown ..... D3/215
- D409,371 S \* 5/1999 Adams ..... D3/202

- D415,390 S \* 10/1999 Winnington-Ingram ..... D3/202
- D468,092 S \* 1/2003 Anderton ..... D3/215
- D478,721 S \* 8/2003 Anderton ..... D3/208
- D501,311 S \* 2/2005 Passmore ..... D3/208
- D502,311 S \* 3/2005 Ellis ..... D3/215
- D526,775 S \* 8/2006 Anderton ..... D28/77
- 7,082,943 B1 \* 8/2006 Clark ..... A45F 5/00  
128/200.23
- D528,290 S \* 9/2006 Anderton ..... D28/77
- D540,030 S \* 4/2007 Schnackenberg ..... D3/202
- D543,694 S \* 6/2007 Wang ..... D3/218
- D549,444 S \* 8/2007 Schnackenberg ..... D3/212
- D549,446 S \* 8/2007 Lown ..... D3/202

(Continued)

*Primary Examiner* — Steven J Czyz  
(74) *Attorney, Agent, or Firm* — Tommy S F Wang;  
Wang IP Law Group, P.C.

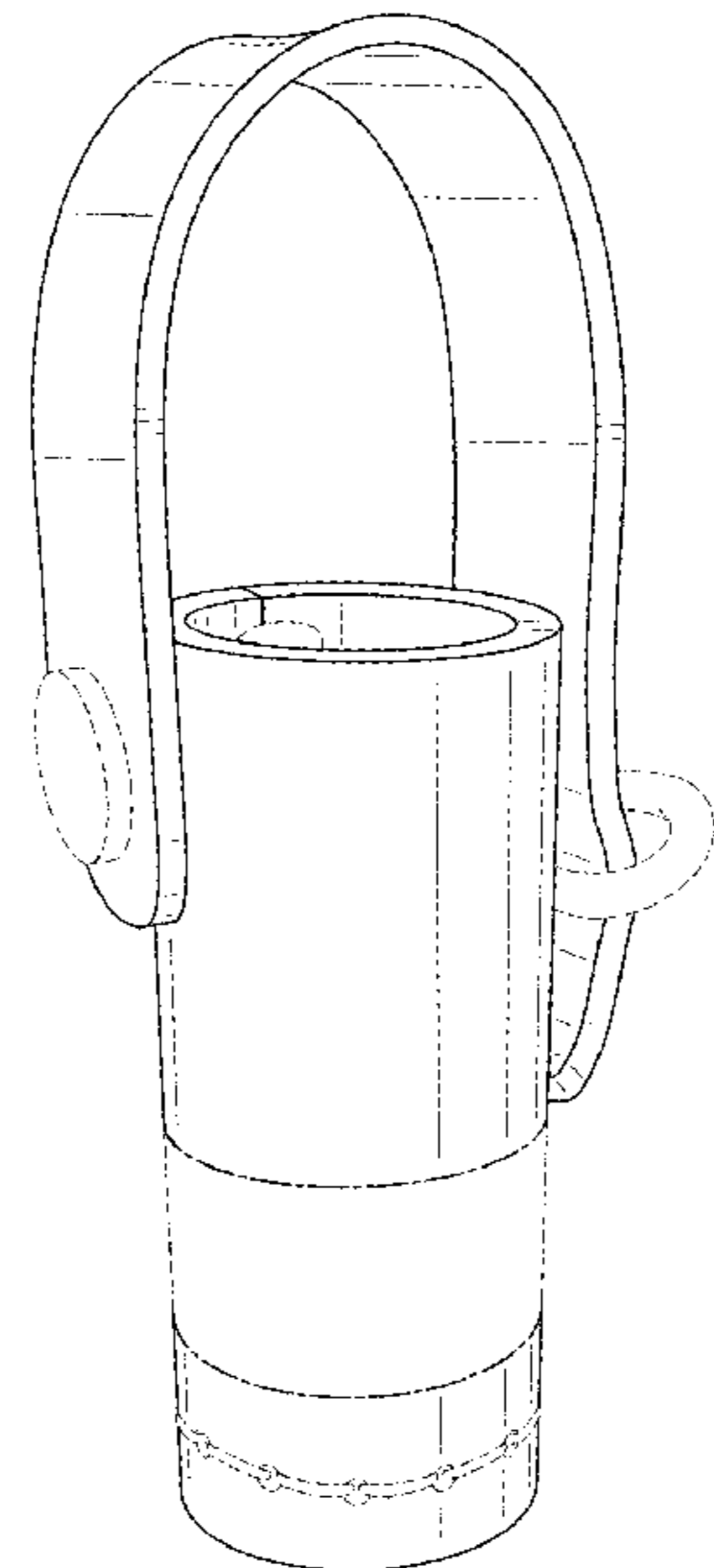
(57) **CLAIM**

The ornamental design for a vial holder, as shown and described.

**DESCRIPTION**

FIG. 1 is a front perspective view of a vial holder showing my new design;  
FIG. 2 is a rear perspective view thereof;  
FIG. 3 is a bottom perspective view thereof;  
FIG. 4 is a front view thereof;  
FIG. 5 is a rear view thereof;  
FIG. 6 is a left side view thereof;  
FIG. 7 is a right side view thereof;  
FIG. 8 is a top view thereof;  
FIG. 9 is a bottom view thereof; and,  
FIG. 10 is a perspective view of the vial holder shown with environment attached.  
The broken lines depict portions of the article and environment that form no part of the claimed design. The dot-dash broken lines in FIGS. 1-7 and 10 represent unclaimed boundary lines and form no part of the claimed design.

**1 Claim, 9 Drawing Sheets**



(56)

**References Cited**

## U.S. PATENT DOCUMENTS

7,389,899 B2 \* 6/2008 Johnson ..... A45F 5/021  
224/675  
D585,637 S \* 2/2009 Schnackenberg ..... D3/202  
7,584,710 B2 \* 9/2009 Grundy ..... A45F 5/02  
112/153  
D605,508 S \* 12/2009 Chen ..... D9/434  
D609,454 S \* 2/2010 Porter-Young ..... D3/202  
D622,954 S \* 9/2010 Porter-Young ..... D3/202  
D675,011 S \* 1/2013 Stiefel ..... D3/215  
D696,857 S \* 1/2014 Atteberry ..... D3/215  
D731,168 S \* 6/2015 Cascio ..... D3/201  
D739,683 S \* 9/2015 Krohn ..... D7/619.1  
9,386,838 B1 \* 7/2016 Smith ..... A45D 40/00  
D778,043 S \* 2/2017 Hill ..... D3/215  
D780,442 S \* 3/2017 Tidwell ..... D3/229  
D787,813 S \* 5/2017 Delger ..... D3/207  
D789,681 S \* 6/2017 Grisamore ..... D3/215  
D794,943 S \* 8/2017 Schlang ..... D3/201  
D823,596 S \* 7/2018 Grisamore ..... D3/215  
D836,907 S \* 1/2019 Giannopoulos ..... D3/215  
D838,471 S \* 1/2019 Young ..... D3/201  
D840,674 S \* 2/2019 Earhart ..... D3/202  
D849,392 S \* 5/2019 Duran ..... D3/202  
D852,494 S \* 7/2019 Gregg-Baker ..... D3/229  
D856,659 S \* 8/2019 Kanstrup ..... D3/203.1  
D866,952 S \* 11/2019 Duran ..... D3/202  
D874,127 S \* 2/2020 Wang ..... D3/202  
D880,852 S \* 4/2020 Gigliotti ..... D3/229

\* cited by examiner

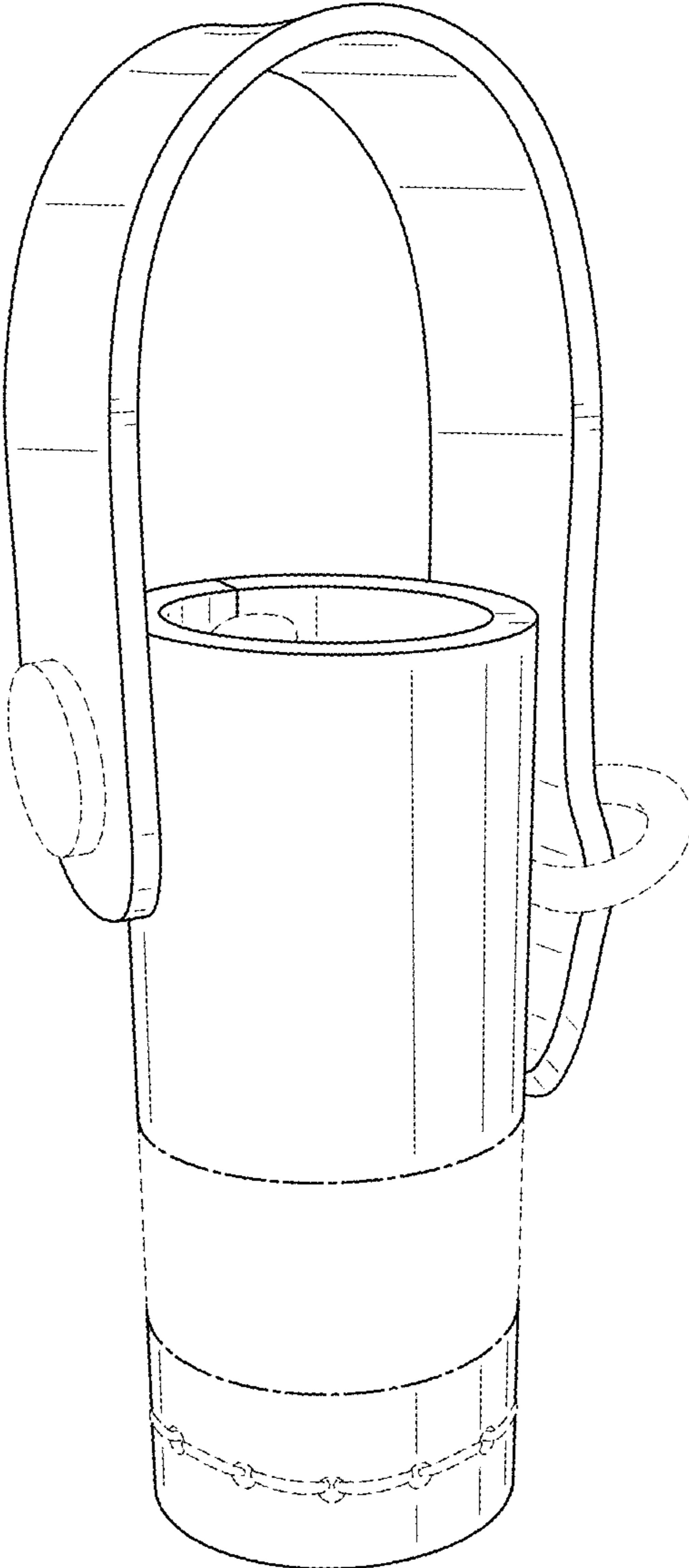


FIG. 1

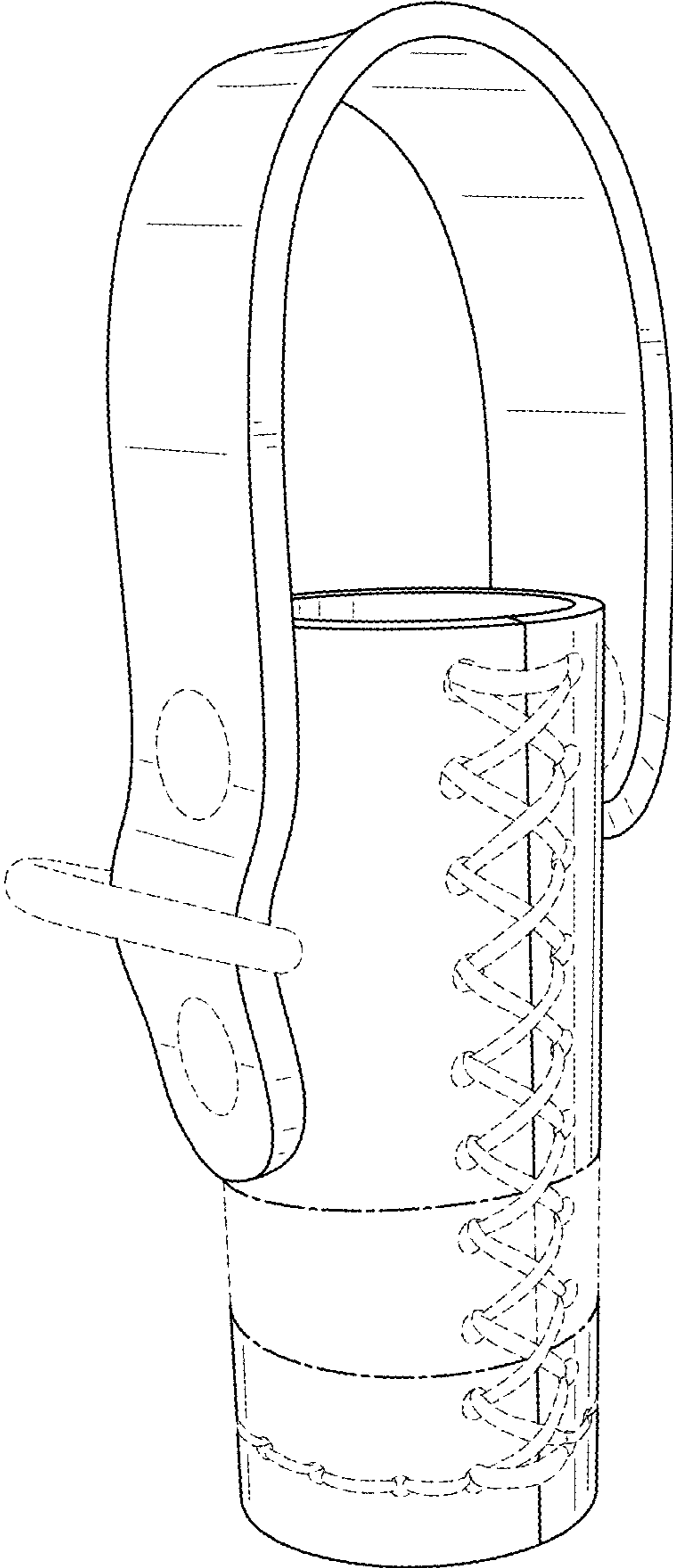


FIG. 2

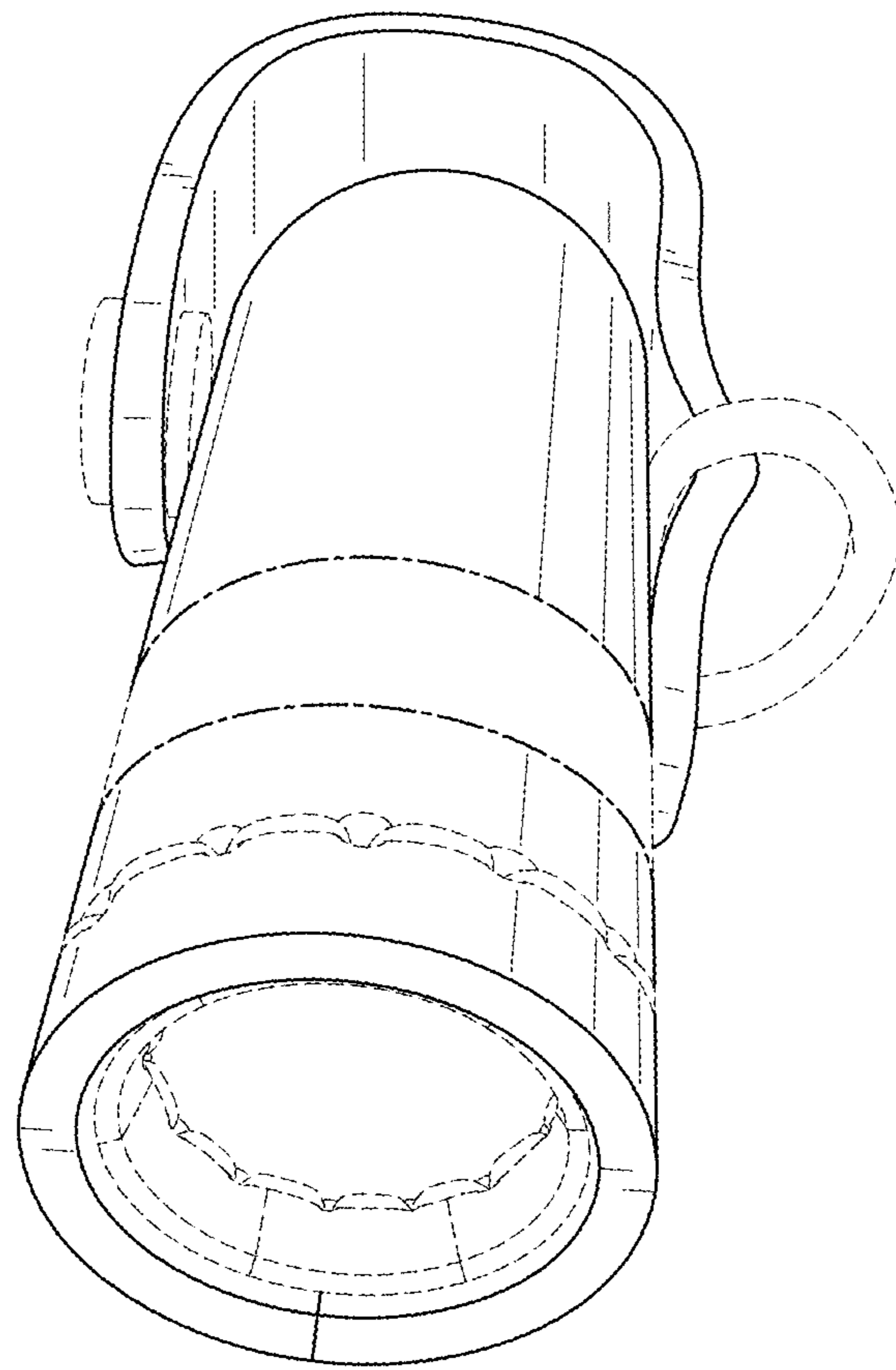


FIG. 3

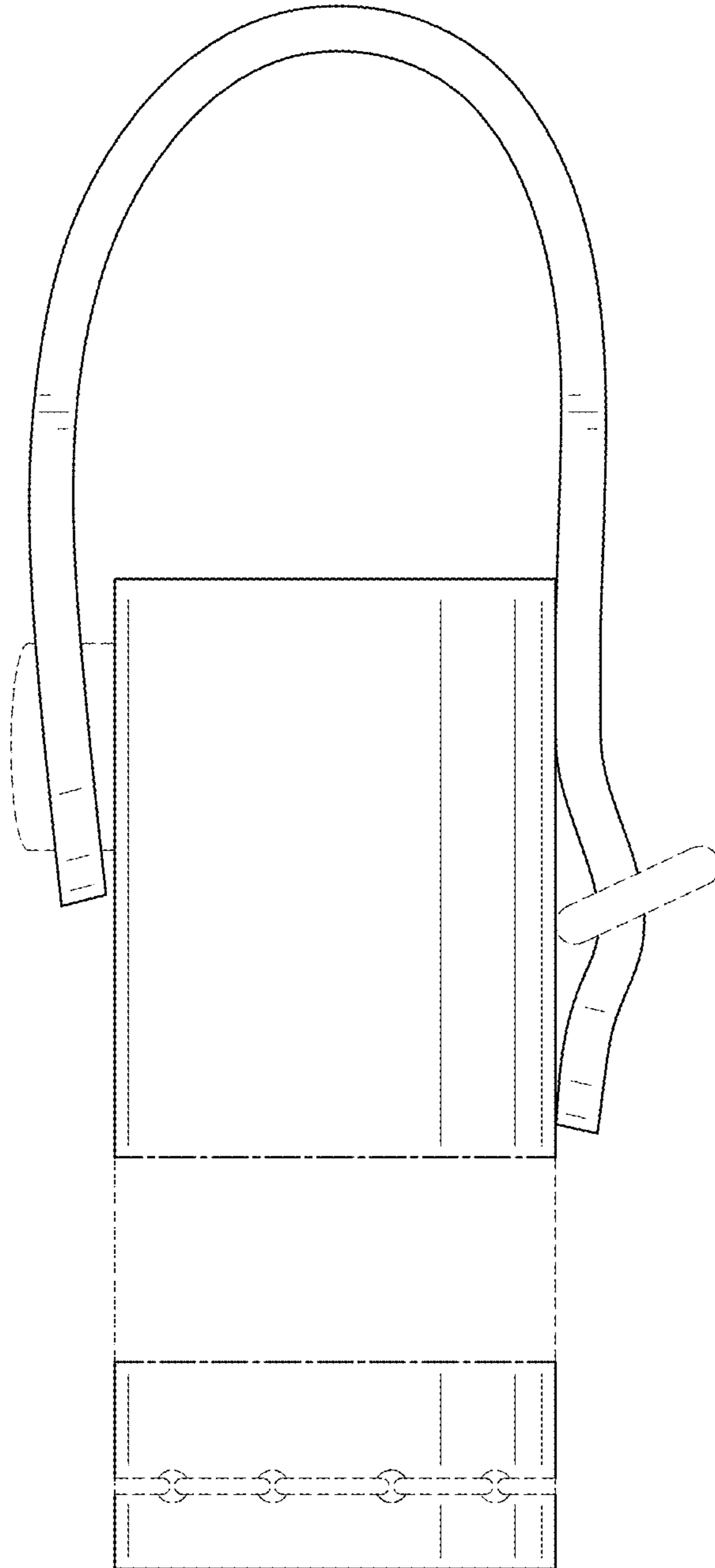


FIG. 4

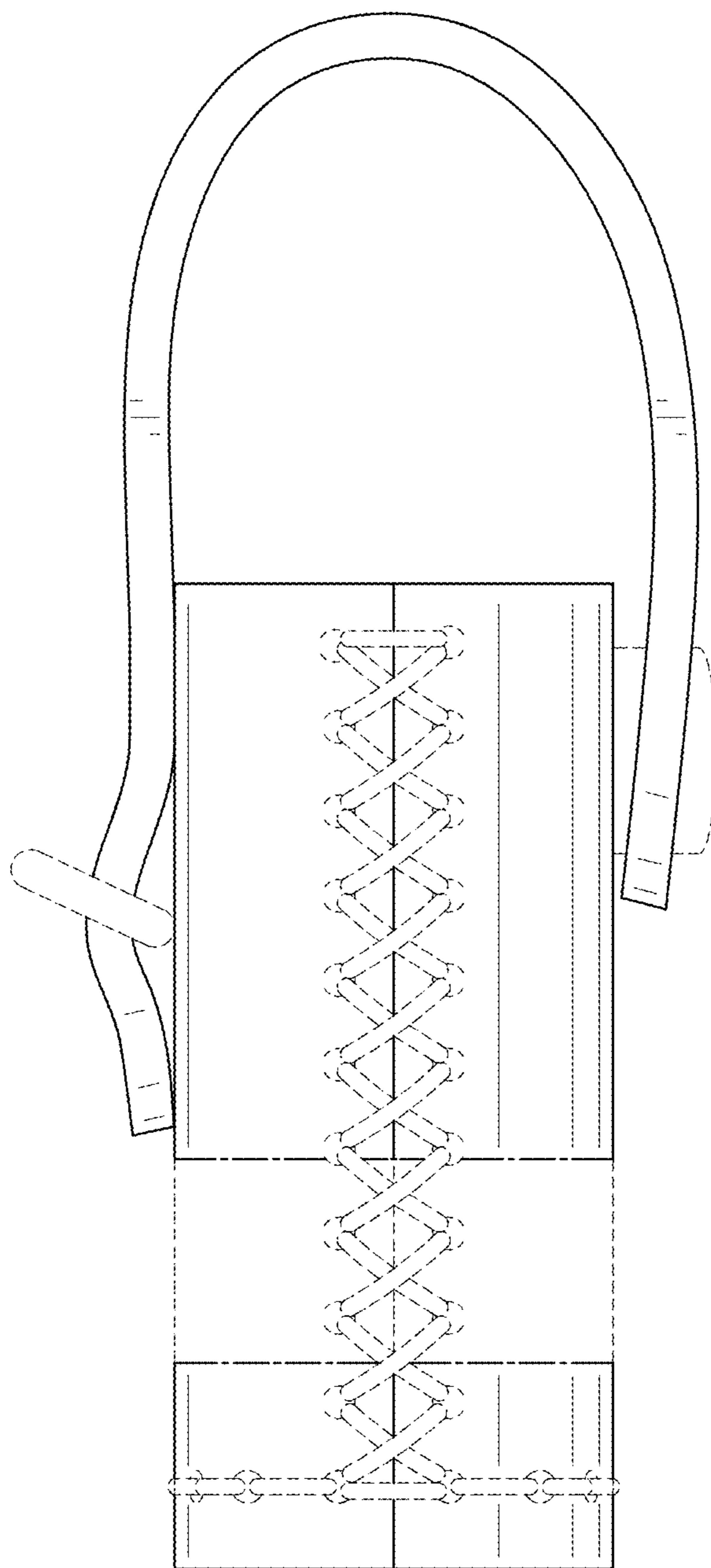


FIG. 5

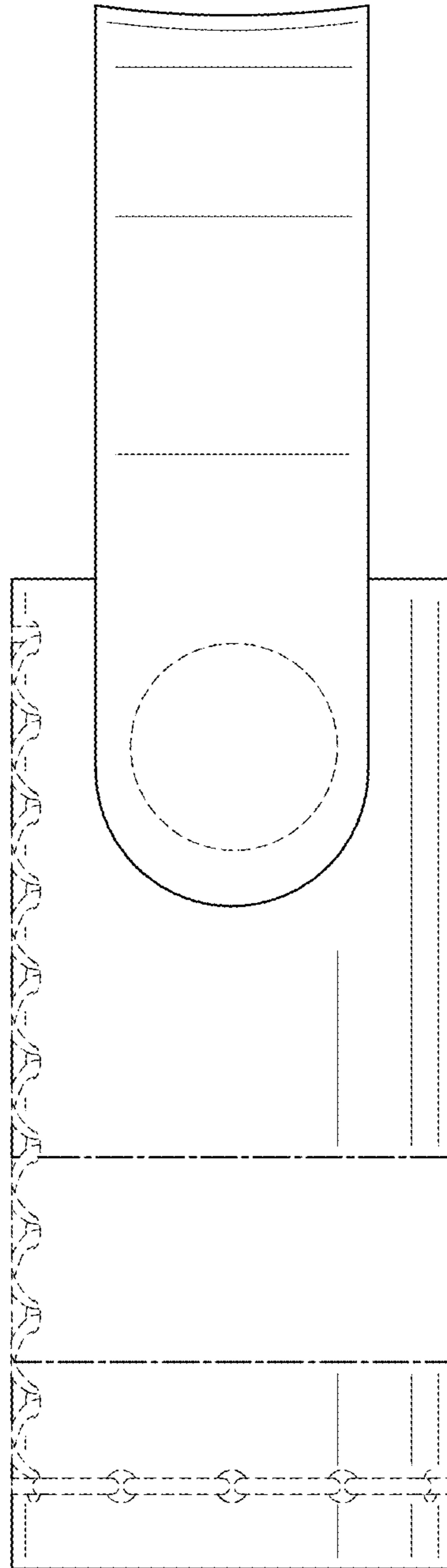


FIG. 6



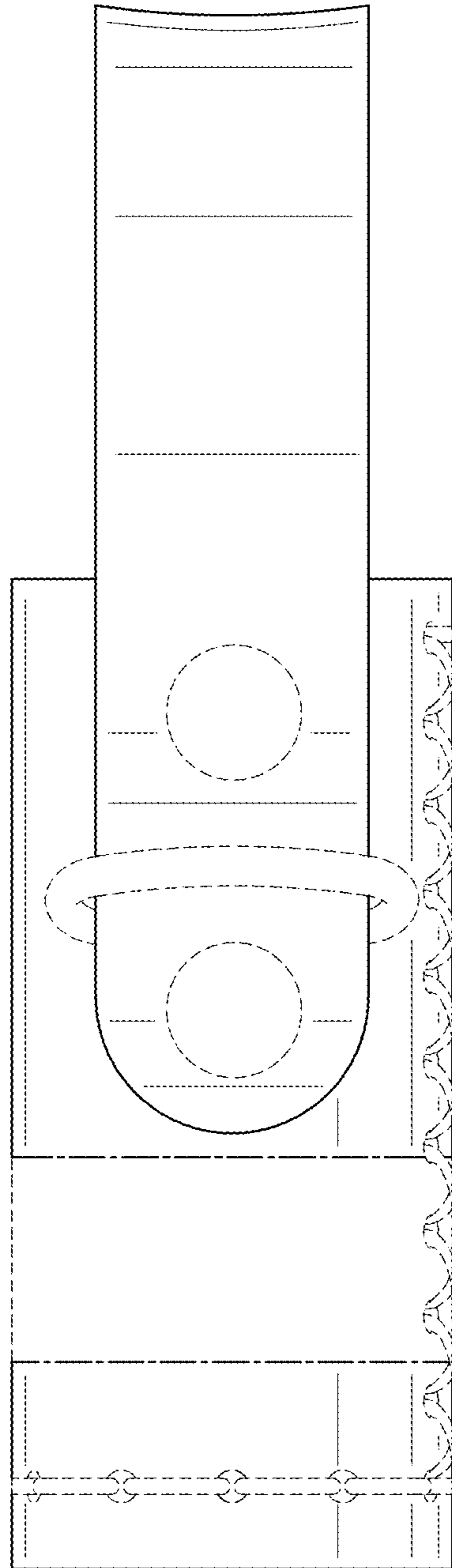


FIG. 7

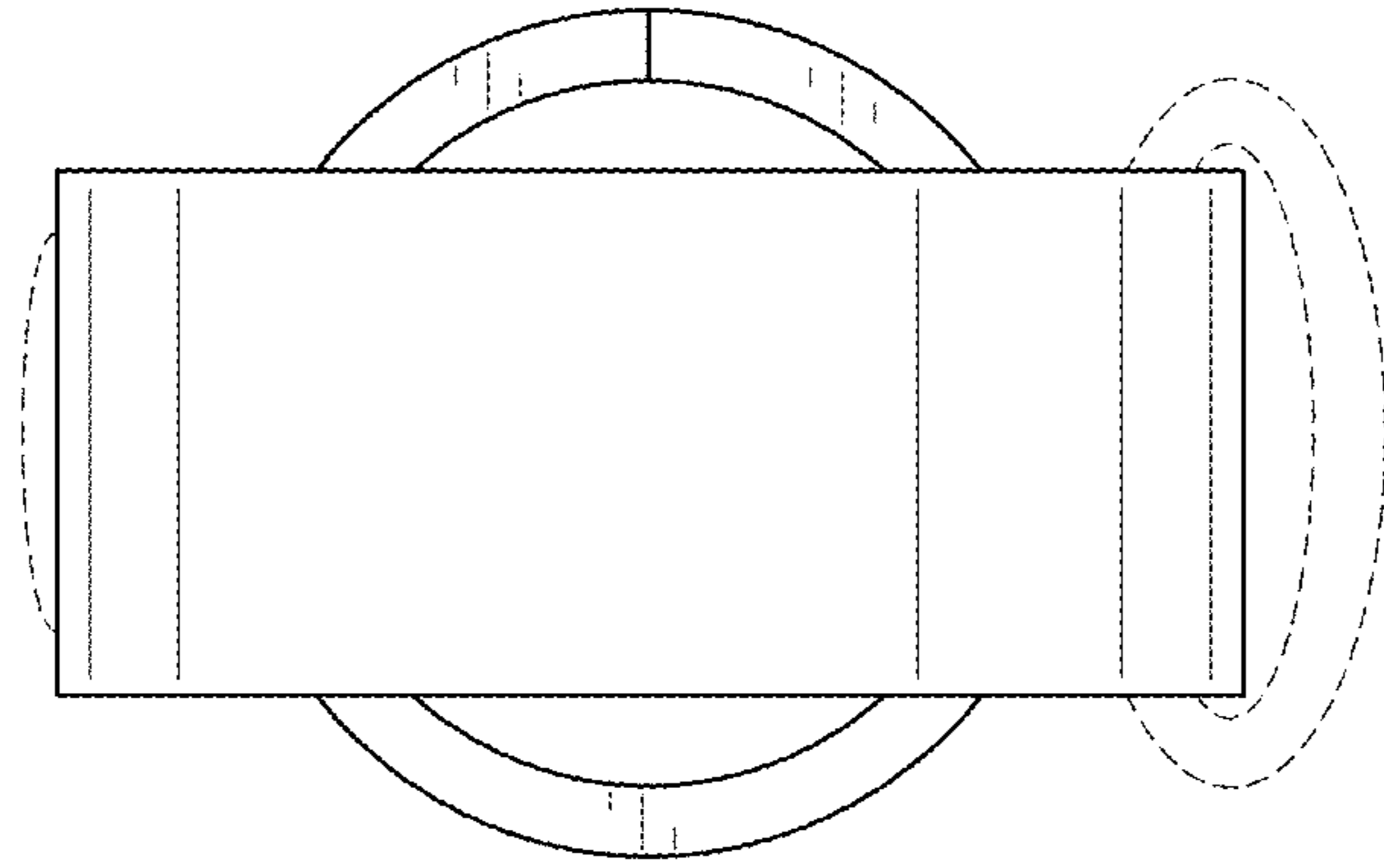


FIG. 8

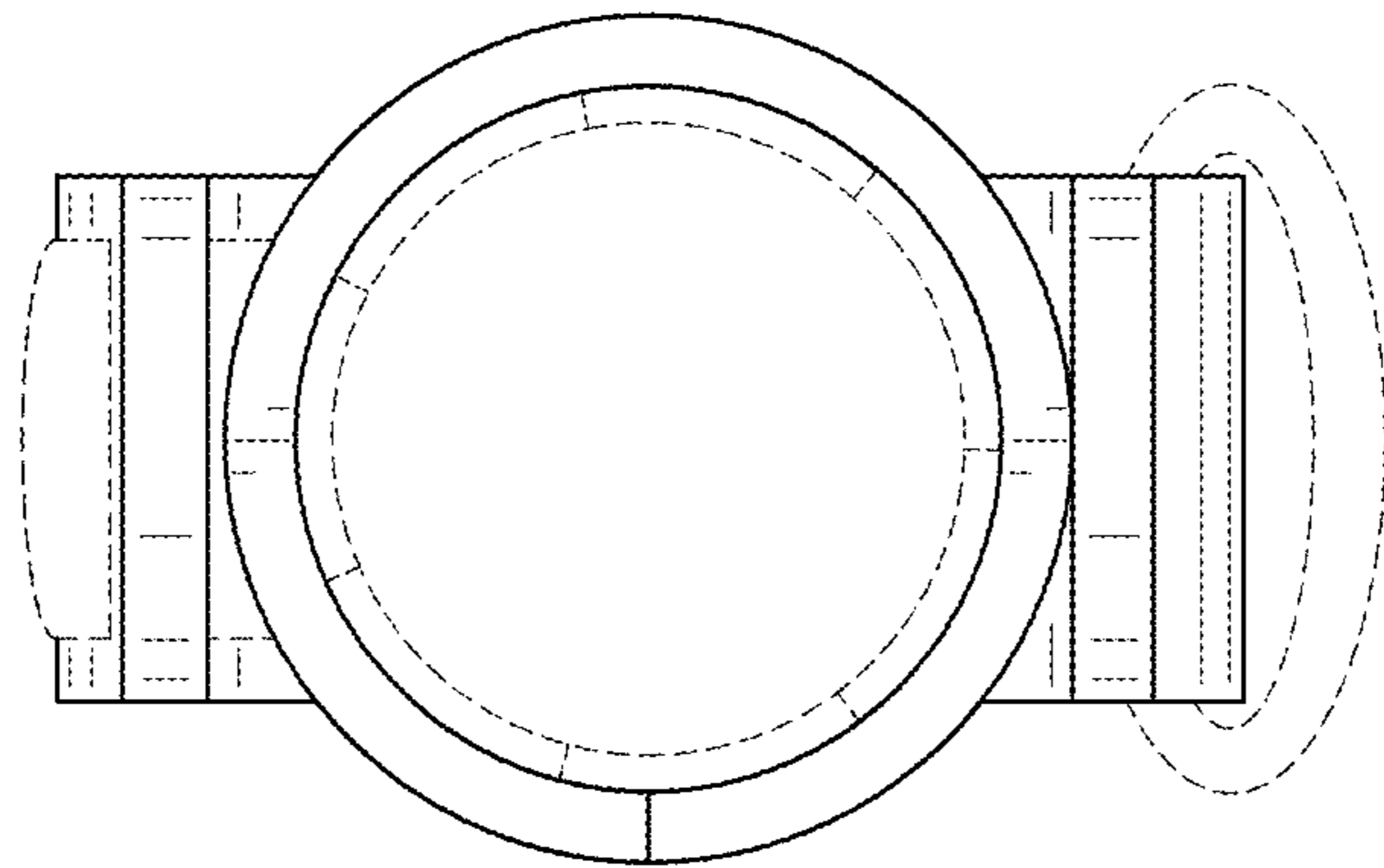


FIG. 9

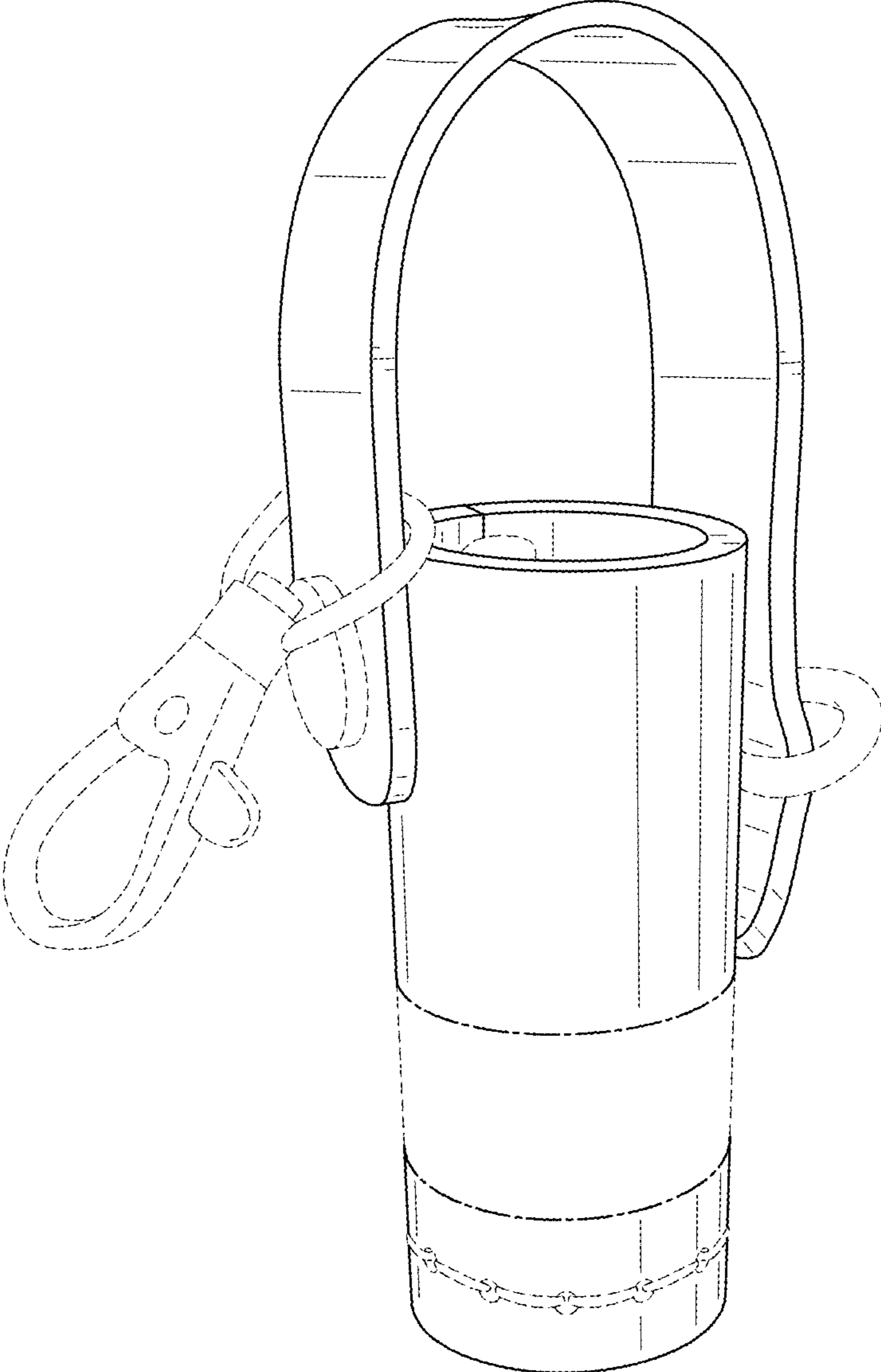


FIG. 10