



US00D903298S

(12) **United States Design Patent** (10) **Patent No.:** **US D903,298 S**
Favela et al. (45) **Date of Patent:** **** Dec. 1, 2020**

(54) **HYDRATION RESERVOIR WITH A HANDLE**

FOREIGN PATENT DOCUMENTS

(71) Applicant: **Samsonite IP Holdings S.a r.l.**,
Luxembourg (LU)

CN 202987773 U 6/2013
DE 9408454 U 9/1994

(Continued)

(72) Inventors: **Chris Favela**, Salt Lake City, UT (US);
Matthew Connors, Salt Lake City, UT (US)

OTHER PUBLICATIONS

Osprey, "3 Liter Hydraulics Reservoir", Obtained at url: http://www.ospreypacks.com/en/product/cycling/hydraulics_reservoir_3_liter, known as early as Oct. 19, 2015, 3 pages.

(Continued)

(73) Assignee: **Samsonite IP Holding S.a r.l.**,
Luxembourg (LU)

(**) Term: **15 Years**

Primary Examiner — Steven J Czyz

(74) *Attorney, Agent, or Firm* — Dorsey & Whitney LLP

(21) Appl. No.: **29/690,353**

(22) Filed: **May 7, 2019**

(51) **LOC (12) Cl.** **09-02**

(57) **CLAIM**

(52) **U.S. Cl.**
USPC **D3/202**

We claim the ornamental design for a hydration reservoir with a handle, as shown and described.

(58) **Field of Classification Search**
USPC D3/201, 202; D7/509, 512, 533;
D9/705, 708, 709, 733
CPC A45F 3/20; A45F 2003/166; A45F 3/18;
A45F 2200/0583
See application file for complete search history.

DESCRIPTION

(56) **References Cited**

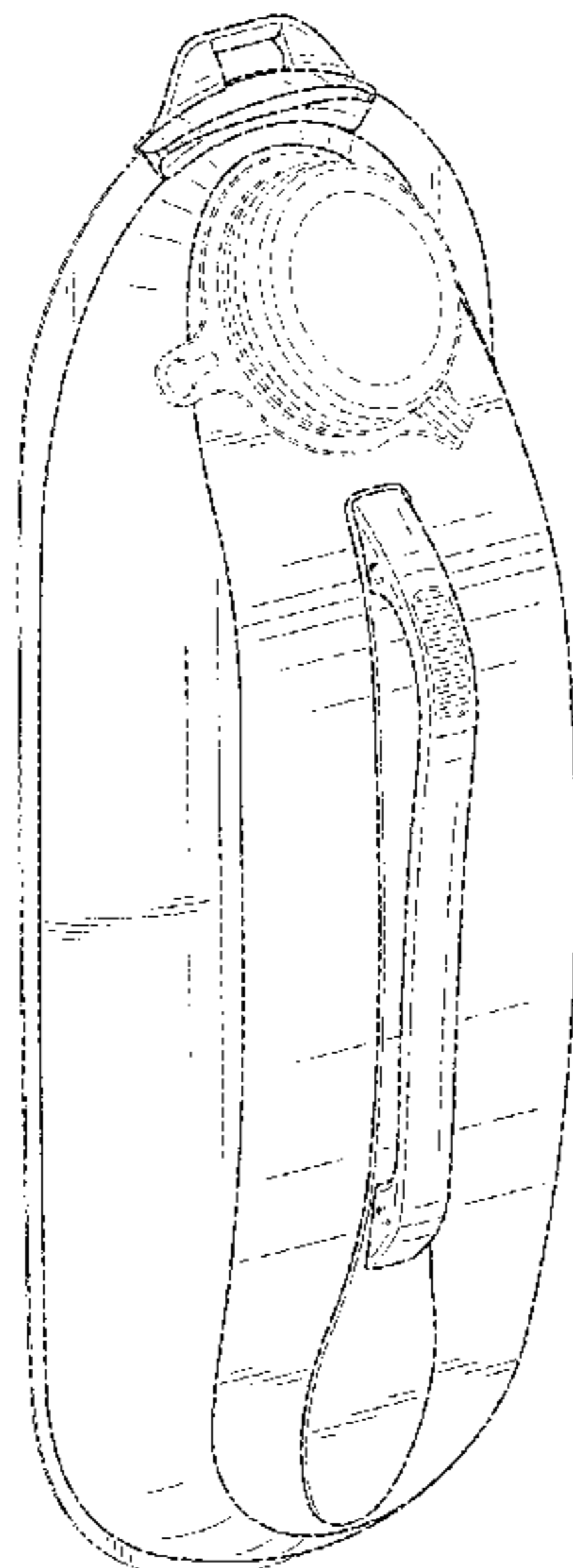
U.S. PATENT DOCUMENTS

1,726,761 A * 9/1929 Palmer A61F 7/08
383/119
1,959,782 A * 5/1934 Fenwick, Jr. A62C 8/02
383/33
2,049,220 A * 7/1936 Pearce A61F 7/103
383/80
3,299,442 A * 1/1967 White A61G 7/0503
604/322
4,526,298 A * 7/1985 Boxer A45F 3/16
222/130
4,732,299 A * 3/1988 Hoyt B29C 65/02
222/107

FIG. 1 is an isometric view of a hydration reservoir with a hydration reservoir handle;
FIG. 2 is a front elevation view of the hydration reservoir of FIG. 1;
FIG. 3 is a rear elevation view of the hydration reservoir of FIG. 1;
FIG. 4 is a right side elevation view of the hydration reservoir of FIG. 1;
FIG. 5 is a left side elevation view of the hydration reservoir of FIG. 1;
FIG. 6 is a top plan view of the hydration reservoir of FIG. 1; and,
FIG. 7 is a bottom plan view of the hydration reservoir of FIG. 1.
The broken lines depict portions of the article that form no part of the claimed design.

(Continued)

1 Claim, 5 Drawing Sheets



(56)

References Cited

U.S. PATENT DOCUMENTS

4,836,416 A * 6/1989 Shalgi A45F 3/20
222/48
5,364,189 A * 11/1994 Kuge B65D 31/10
383/120
5,727,714 A * 3/1998 Fawcett A45F 3/16
222/175
5,806,726 A * 9/1998 Ho B62J 11/00
222/107
5,806,904 A * 9/1998 Smith B65D 23/104
215/396
5,913,456 A * 6/1999 Dikeman B62J 99/00
222/105
6,142,344 A * 11/2000 Kai B65D 75/5883
222/105
6,164,821 A * 12/2000 Randall B65D 33/1658
150/120
D447,413 S * 9/2001 DuCorday D9/443
6,296,388 B1 * 10/2001 Galomb B65D 33/16
222/478
6,385,992 B1 * 5/2002 Flore, Jr. A45F 3/18
62/457.4
6,457,863 B1 * 10/2002 Vassallo B65D 33/007
150/129
6,722,533 B2 * 4/2004 Skillern A45F 3/20
222/175
6,854,888 B1 * 2/2005 Brown A45F 3/20
222/107
D505,540 S * 5/2005 Lien D24/207
6,908,015 B2 * 6/2005 Choi F16L 37/0841
222/175
D517,308 S * 3/2006 Khalifa D3/202
7,014,077 B2 * 3/2006 Brown A45F 3/20
215/306
7,073,688 B2 * 7/2006 Choi A45F 3/20
141/379
D538,030 S * 3/2007 Karl D3/202
D539,027 S * 3/2007 Gressock D3/202
7,311,231 B2 * 12/2007 Noell A45F 3/20
215/388
7,398,891 B2 * 7/2008 Yang A45F 3/20
215/306
D581,152 S * 11/2008 Karl D3/202
7,490,740 B2 * 2/2009 Robins A45F 3/20
222/175
7,600,657 B2 * 10/2009 Wang A45F 3/16
222/175
7,762,432 B2 * 7/2010 Fidrych A45F 3/20
222/175
7,806,300 B1 * 10/2010 Noell A45F 3/20
222/175
7,820,946 B2 * 10/2010 Woodfill A45F 3/16
219/201
D640,466 S * 6/2011 Staton D3/202
8,020,730 B2 * 9/2011 Liang A45F 3/04
222/175

8,142,075 B2 * 3/2012 Shaw B65D 33/34
383/15
8,177,097 B2 * 5/2012 Duran A45F 3/20
222/105
8,267,283 B2 * 9/2012 Staton A45F 3/20
222/175
D683,018 S * 5/2013 Herivel D24/118
8,820,579 B2 * 9/2014 Wood A45F 3/18
222/105
8,887,962 B2 * 11/2014 Herivel A45F 3/20
222/175
9,302,822 B2 * 4/2016 Hoskins A45F 3/20
D806,476 S * 1/2018 Karl, IV D7/509
D830,050 S * 10/2018 Gordon D3/202
10,315,816 B2 * 6/2019 Ehyai B65D 55/165
2003/0094464 A1 * 5/2003 Decottignies B05B 11/3052
222/105
2004/0211778 A1 * 10/2004 Lien B65D 75/5877
220/212.5
2004/0217117 A1 * 11/2004 Lien B65D 55/165
220/375
2007/0223842 A1 * 9/2007 Sabounjian B65D 37/00
383/2
2007/0280565 A1 * 12/2007 Lyon B65D 75/5877
383/80
2009/0236341 A1 * 9/2009 McKinney A47G 19/2266
220/375
2010/0012221 A1 * 1/2010 Lien B65D 75/5877
141/10
2011/0290798 A1 * 12/2011 Corbett B65D 77/06
220/62.12
2012/0111876 A1 * 5/2012 Pfothenauer A45F 3/04
220/669
2015/0016753 A1 * 1/2015 Batarseh B65D 31/16
383/64
2015/0093052 A1 * 4/2015 Hoskins B65D 33/24
383/68
2016/0113379 A1 * 4/2016 Marui A45F 3/20
224/148.1
2017/0086568 A1 * 3/2017 Ehyai A45F 3/04

FOREIGN PATENT DOCUMENTS

JP 2002136573 A 5/2002
JP 3594280 B2 11/2004
WO 2011003110 A2 1/2011
WO 2015047213 A1 4/2015
WO 2015098920 A1 7/2015

OTHER PUBLICATIONS

Osprey, "Hydraulics Reservoir Review", Obtained at url: <http://www.outdoorgearlab.com/Hydration-Bladder-Reviews/Osprey-Hydraulics-Reservoir>, known as early as Oct. 19, 2015, 6 pages.

* cited by examiner

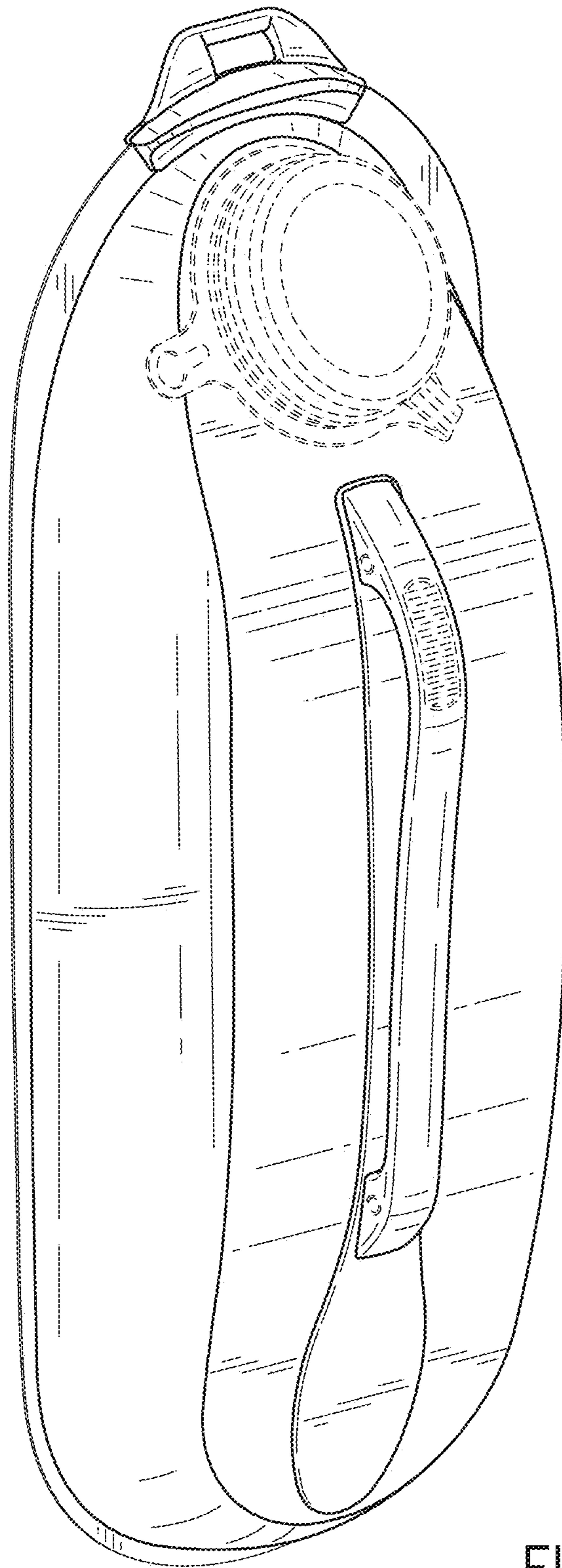


FIG. 1

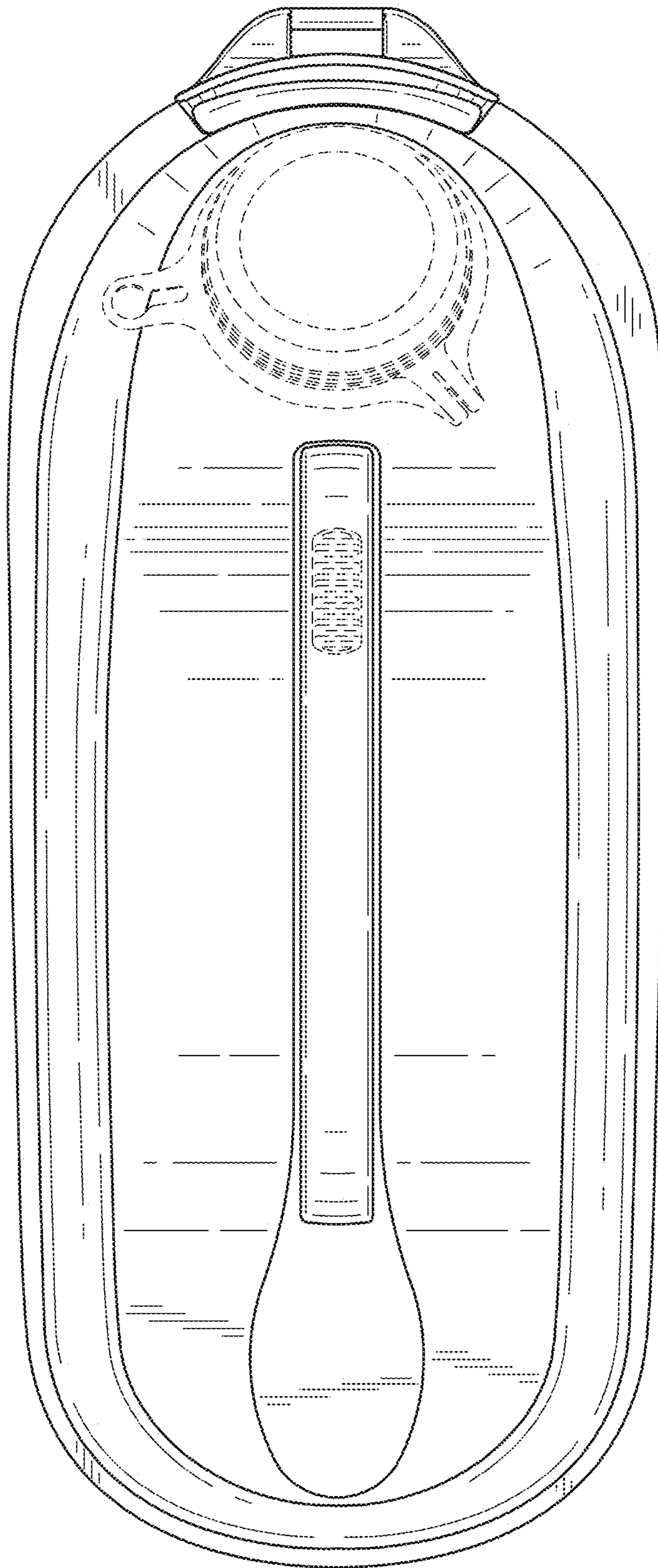


FIG. 2

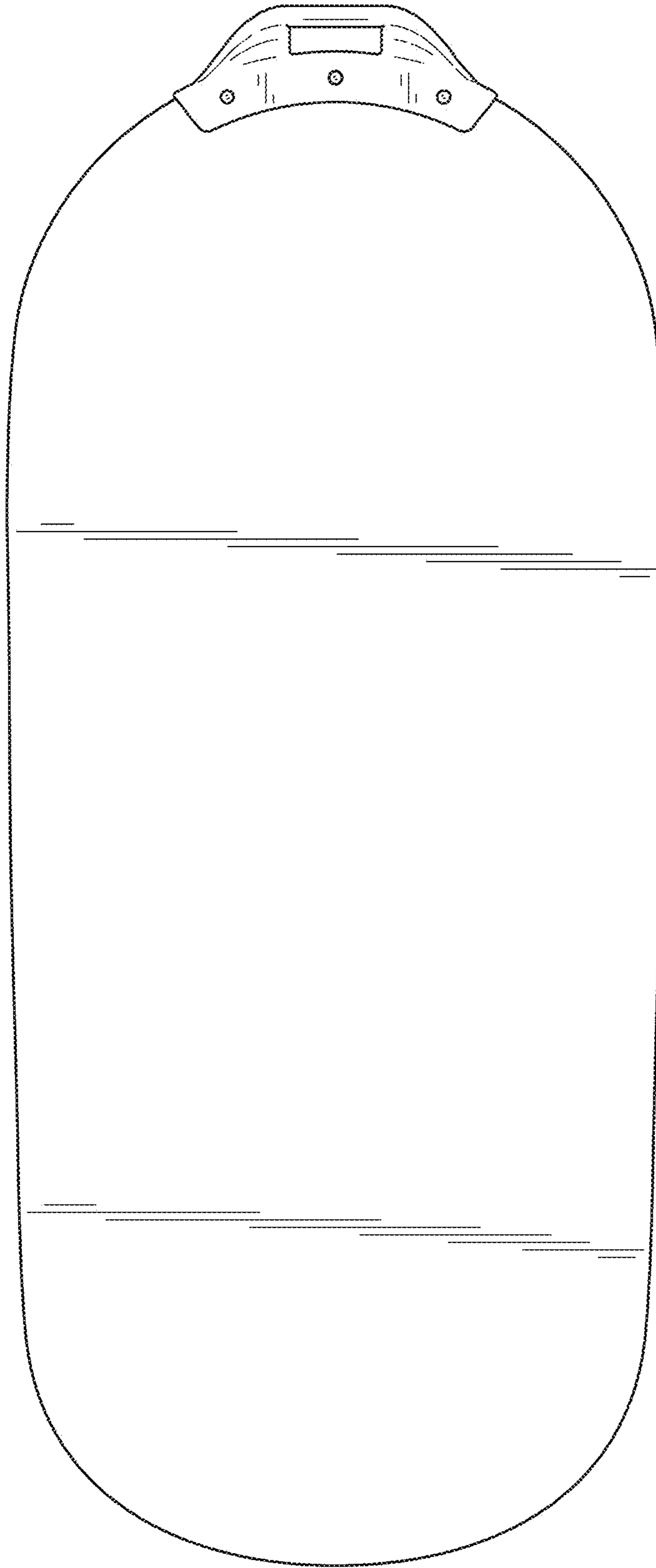


FIG. 3

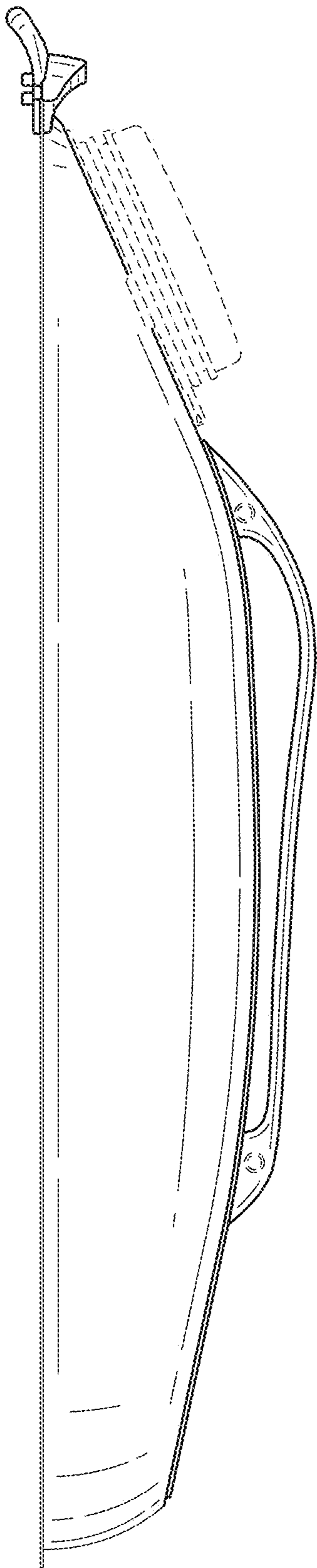


FIG. 4

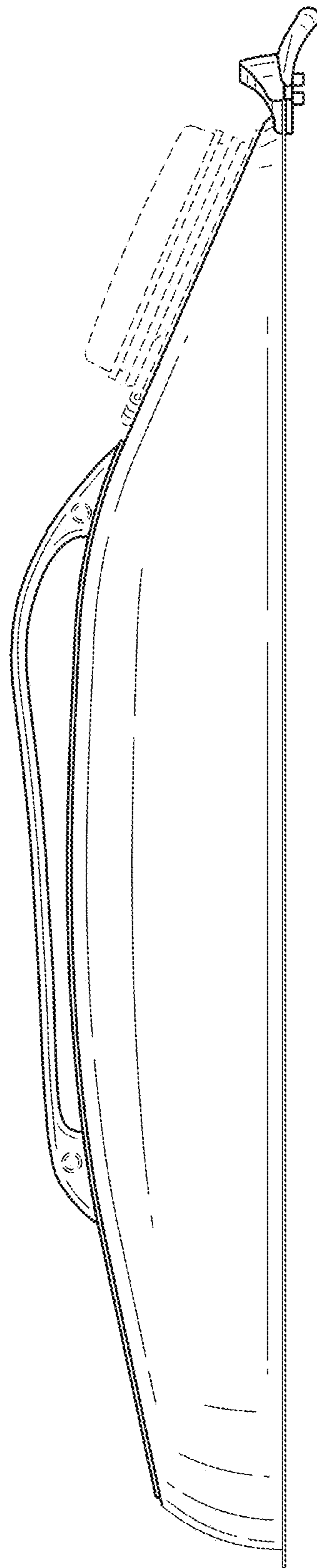


FIG. 5

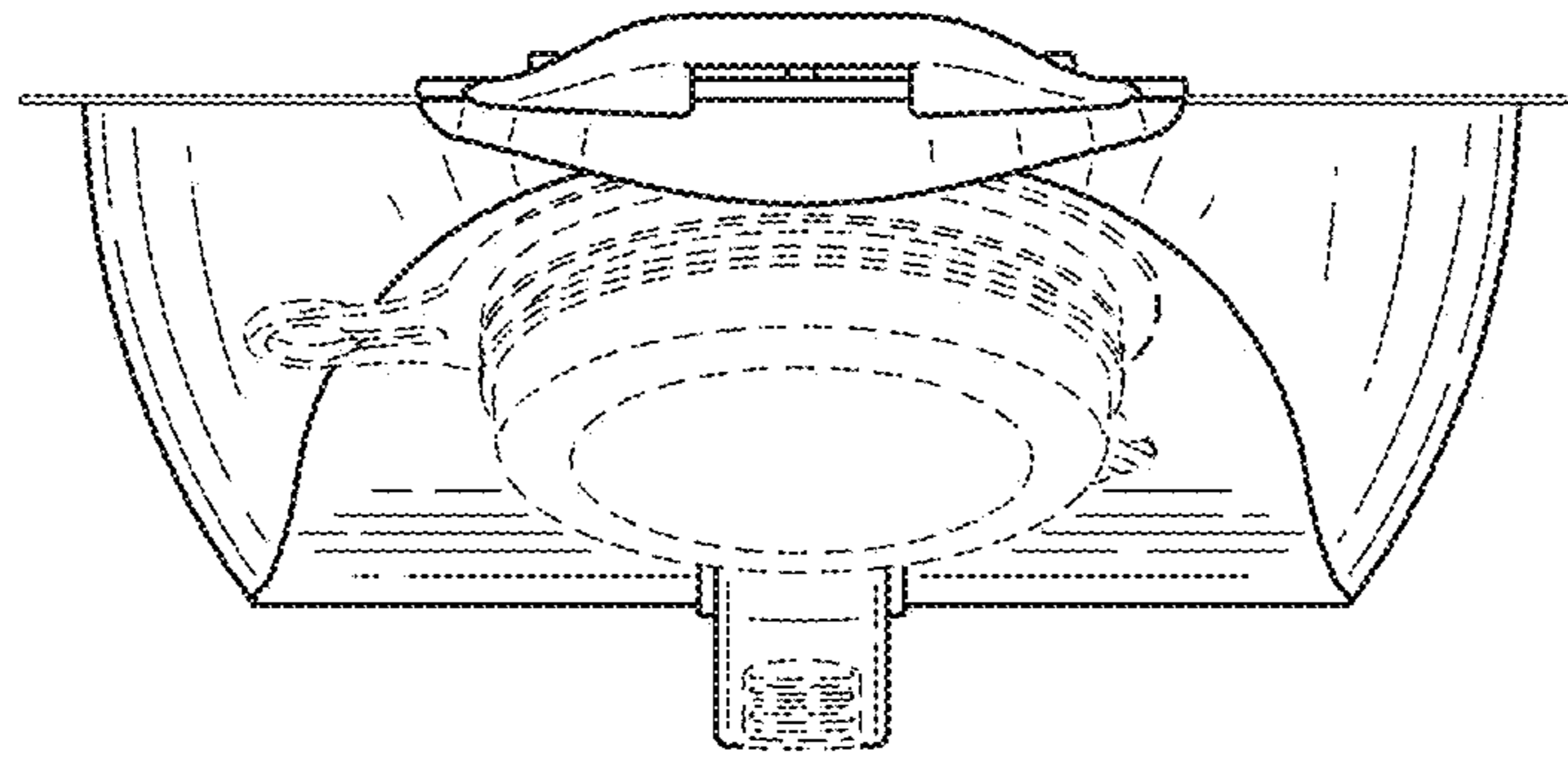


FIG. 6

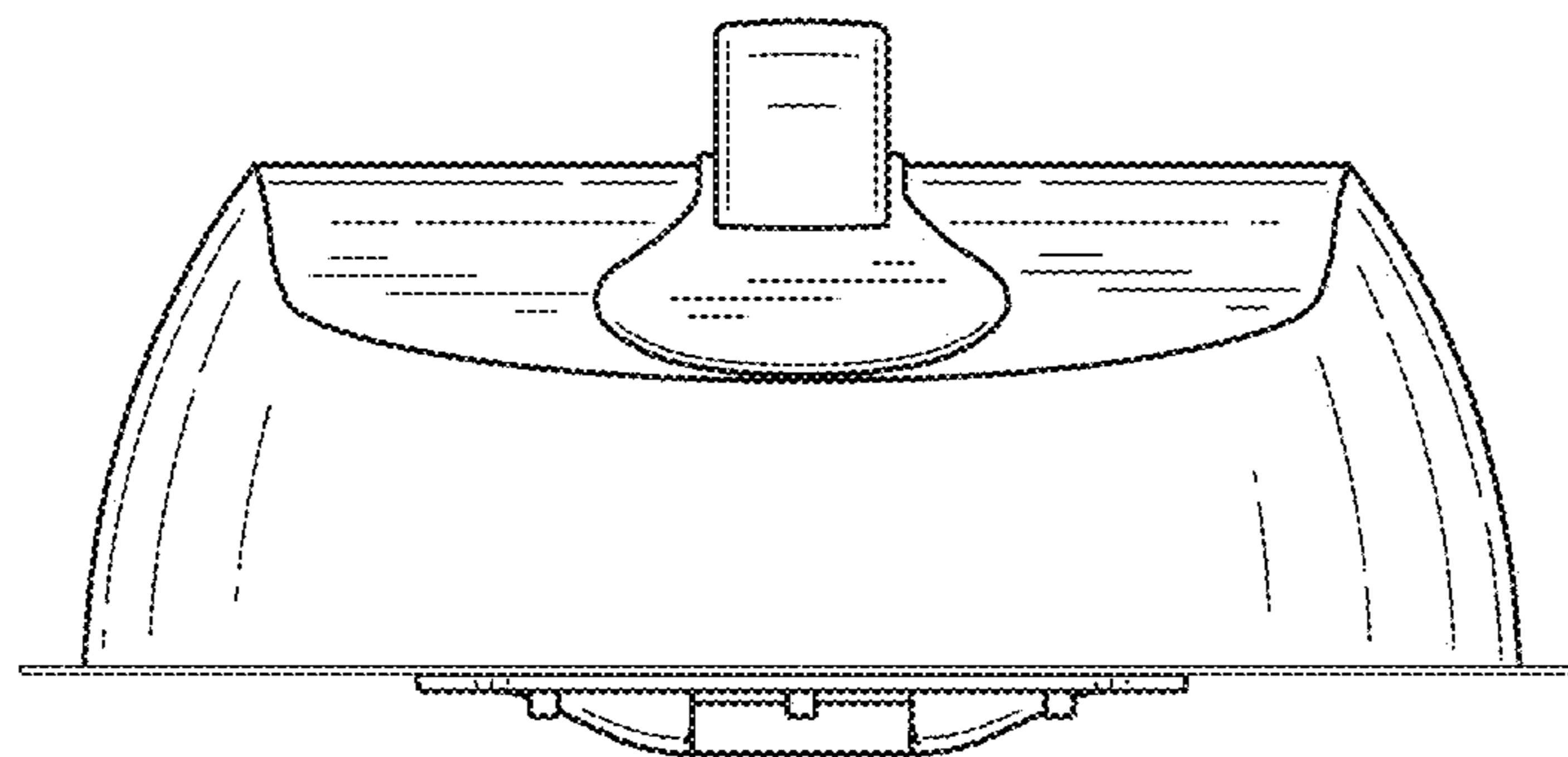


FIG. 7