



US00D903292S

(12) **United States Design Patent**
Drone

(10) **Patent No.:** **US D903,292 S**

(45) **Date of Patent:** **** Dec. 1, 2020**

(54) **SHOE DEODORIZER**

(71) Applicant: **Frederek Drone**, Lawrence, KS (US)

(72) Inventor: **Frederek Drone**, Lawrence, KS (US)

(**) Term: **15 Years**

(21) Appl. No.: **29/705,034**

(22) Filed: **Sep. 9, 2019**

(51) **LOC (12) Cl.** **07-99**

(52) **U.S. Cl.**
USPC **D2/979**

(58) **Field of Classification Search**
USPC D2/641, 642, 896, 946, 961, 979, 999
CPC A43D 3/14; A43D 3/1416; A43D 3/1433;
A43D 3/1441; A43D 3/145; A43D
3/1466; A43D 3/1475; A43D 3/1491;
A43D 3/12; A43D 3/08
See application file for complete search history.

(56) **References Cited**

U.S. PATENT DOCUMENTS

2,295,359	A *	9/1942	Schiller	12/117.4
D137,872	S *	5/1944	Mutch	D2/979
2,417,109	A *	3/1947	Harvey	12/117.4
D147,156	S *	7/1947	Sturm	D2/979
2,437,028	A *	3/1948	Horsting	12/117.4
2,476,462	A *	7/1949	Smith	A47L 23/18 12/53.7
D154,681	S *	8/1949	Ironside	D2/979
D192,680	S *	5/1962	Williams	D2/979
3,068,502	A *	12/1962	Williams	A43D 3/1475 12/116.6
3,239,860	A *	3/1966	Iredale	A43D 3/1466 12/115.8
3,251,083	A *	5/1966	Bay	A43D 3/1475 12/116.6
3,263,252	A *	8/1966	Johnson	A43D 3/1475 12/116.6

D245,204	S *	7/1977	Walter	D2/979
4,718,135	A *	1/1988	Colvin	A43D 3/1466 12/114.2
D338,323	S *	8/1993	Bramble	D2/979
D770,753	S *	11/2016	Feldman	D2/979

(Continued)

OTHER PUBLICATIONS

Shoe Tree posted by YOLOPLUS posted date Sep. 20, 2017, © Amazon, [online], [site visited Sep. 4, 2020]. Available from Internet, https://www.amazon.com/Adjustable-Practical-Portable-Stretcher-Sneakers/dp/B075SD1D8Y/ref=psdc_3421051011_t1_B0746JVXPW?th=1 (Year: 2017).*

(Continued)

Primary Examiner — Cynthia Ramirez
Assistant Examiner — Laura H Yu

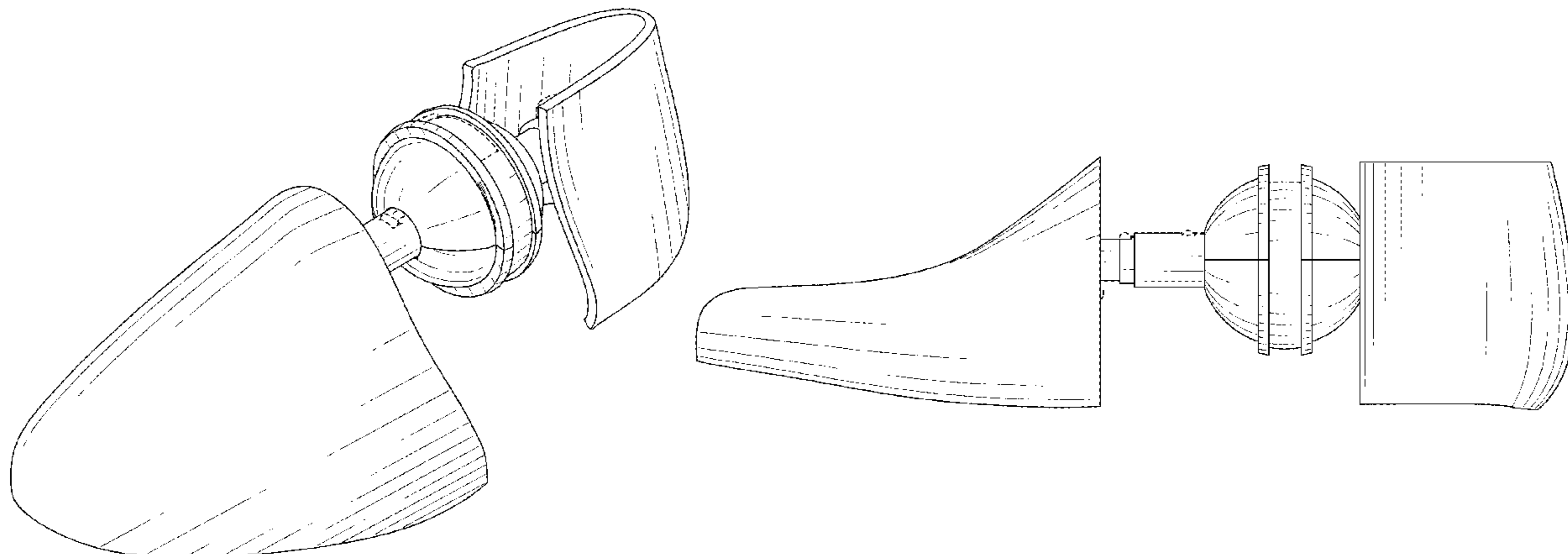
(57) **CLAIM**

The ornamental design for a shoe deodorizer, as shown and described.

DESCRIPTION

FIG. 1 is a top perspective view of a shoe deodorizer showing my new design;
FIG. 2 is a bottom perspective view thereof;
FIG. 3 is a front elevated view thereof;
FIG. 4 is a rear elevated view thereof;
FIG. 5 is a top plan view thereof;
FIG. 6 is a bottom plan view thereof;
FIG. 7 is a right elevated view thereof;
FIG. 8 is a left elevated view thereof; and,
FIG. 9 is a left elevated view thereof, showing the shoe deodorizer in an alternate, extended configuration.
The broken lines showing the ball strips in FIG. 1-2 and FIG. 5-9, and the broken lines showing a length-adjustment mechanism in FIG. 1-2 and FIG. 5-9, are included for the purpose of showing portions of the shoe deodorizer and form no part of the claimed design.

1 Claim, 9 Drawing Sheets



(56)

References Cited

U.S. PATENT DOCUMENTS

D844,316 S * 4/2019 Denney D2/979

OTHER PUBLICATIONS

Adjustable Size Shoe Tree posted by HX-XC posted date unknown,
© Alibaba, [online], [site visited Sep. 4, 2020]. Available from
Internet, https://www.alibaba.com/product-detail/HX-XC-Adjustable-Size-Wholesale-Plastic_60596957910.html?spm=a2700.themePage.1021717872677.69.5be4233ddWYo1G (Year: 2020).*

* cited by examiner

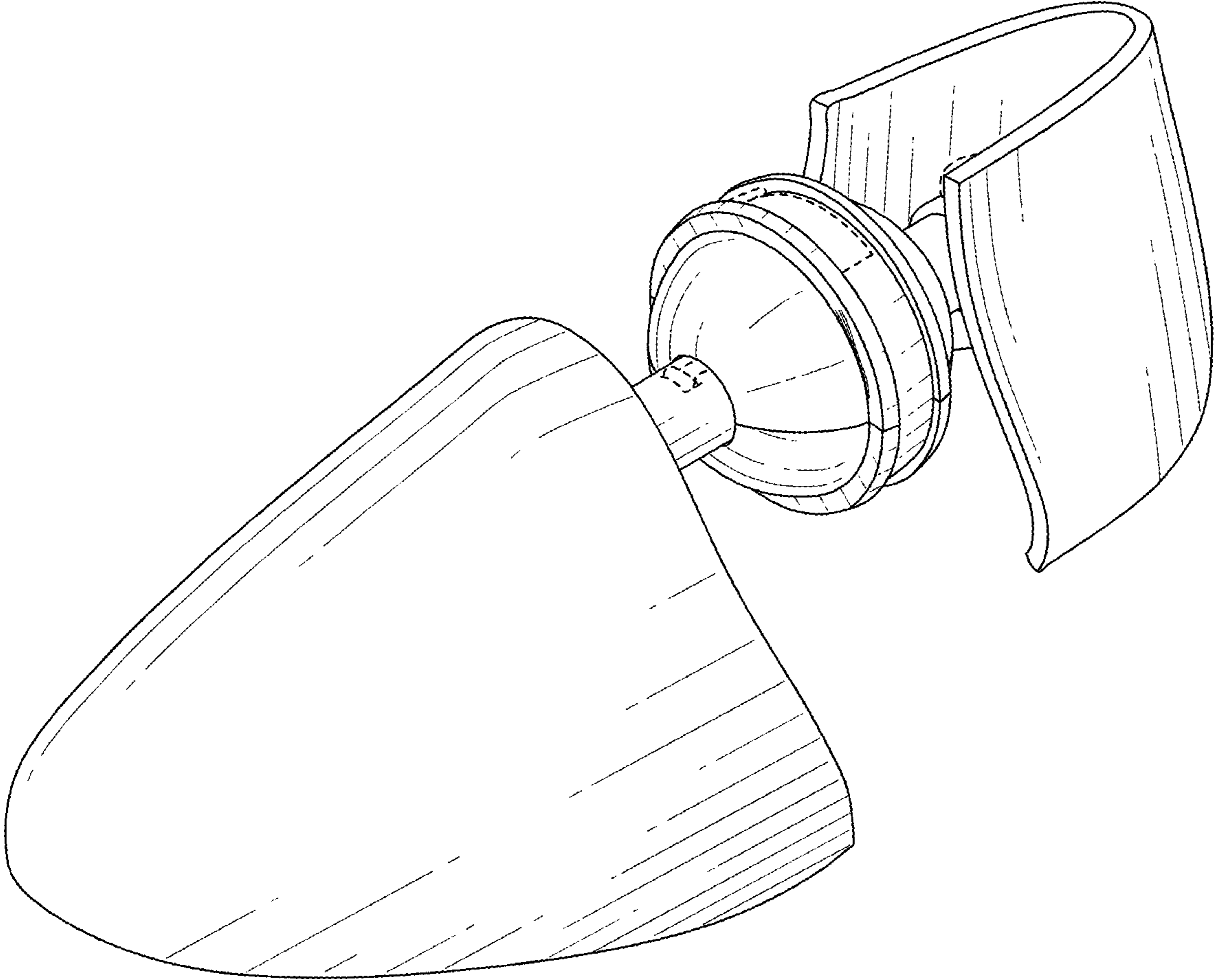


FIG. 1

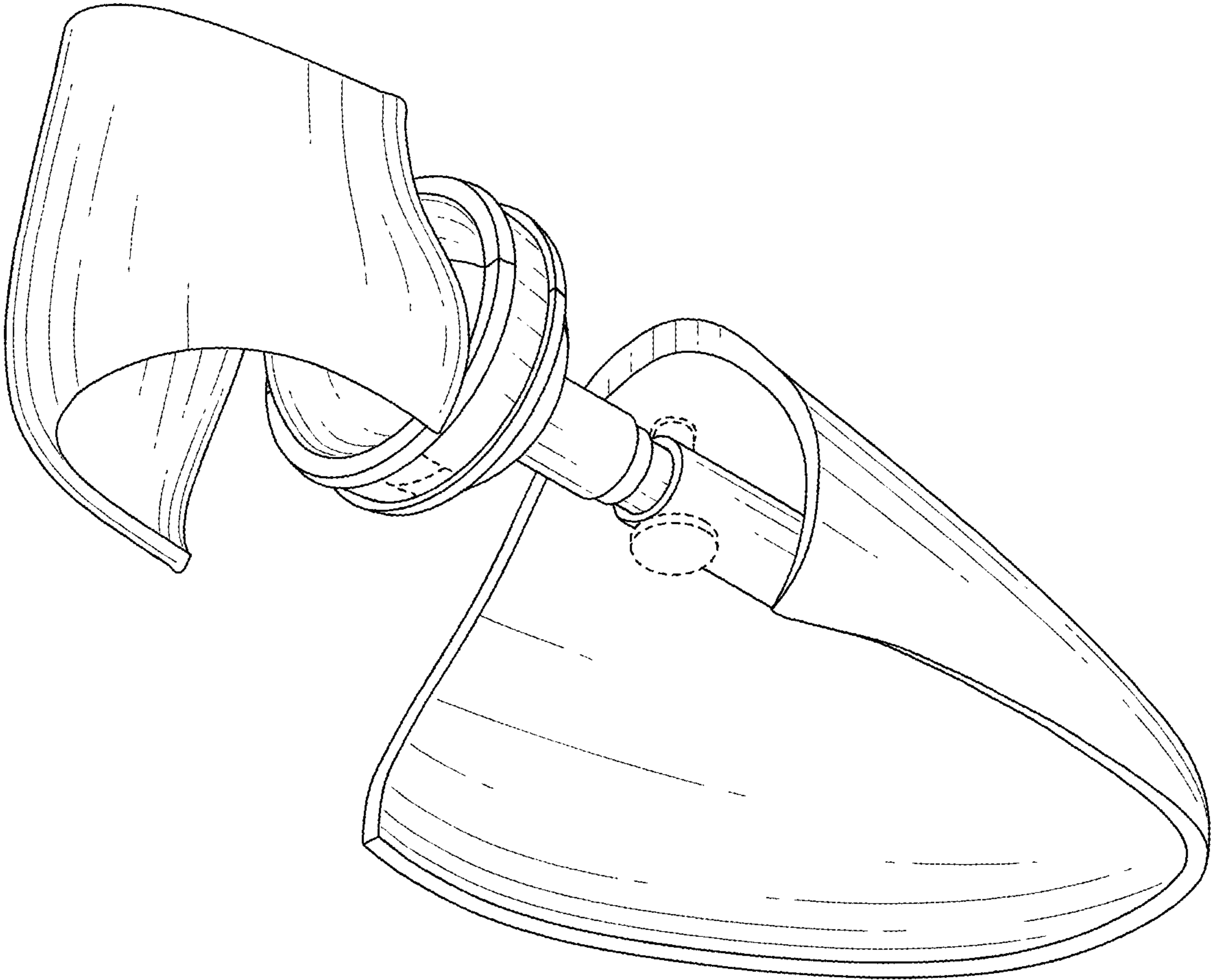


FIG. 2

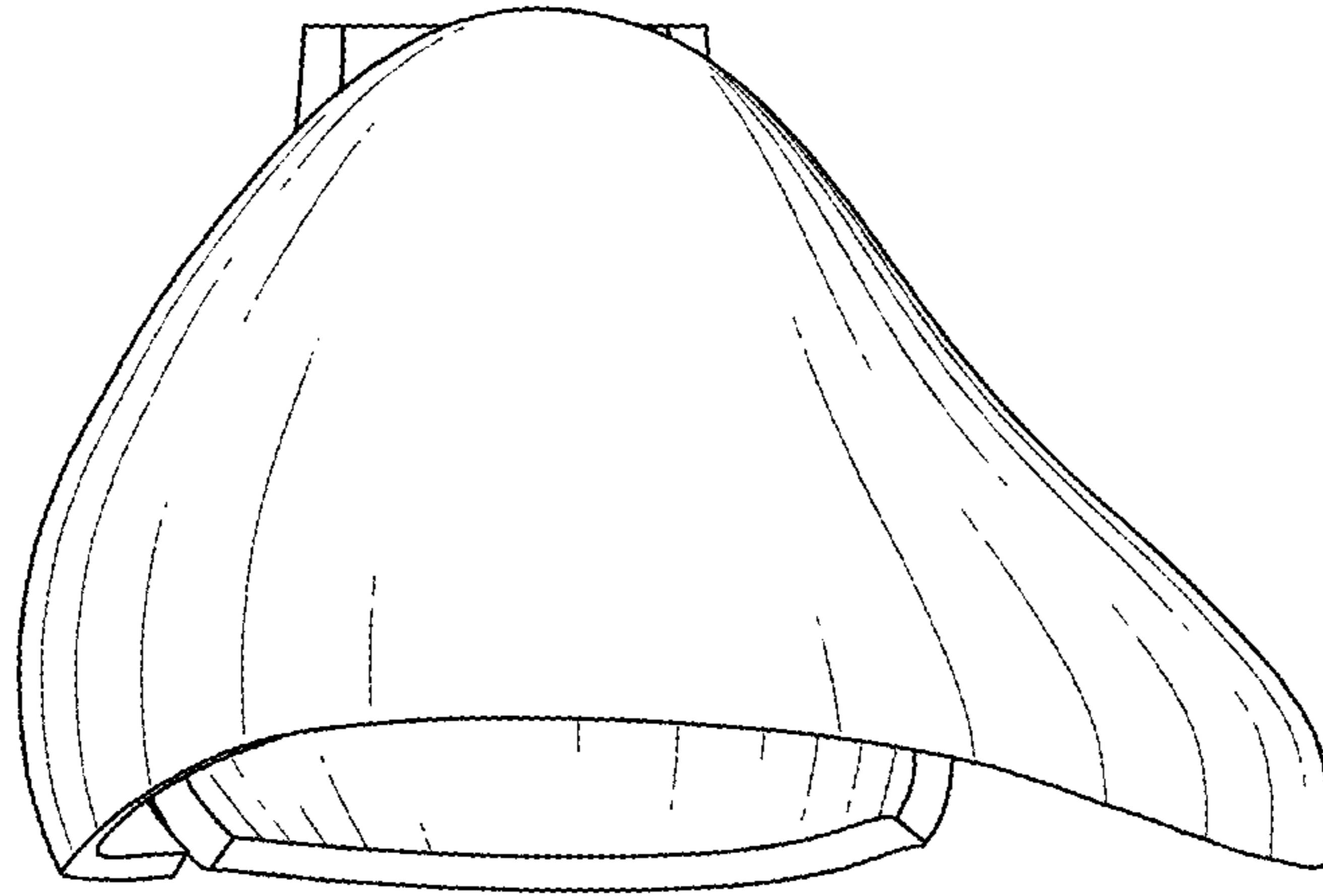


FIG. 3

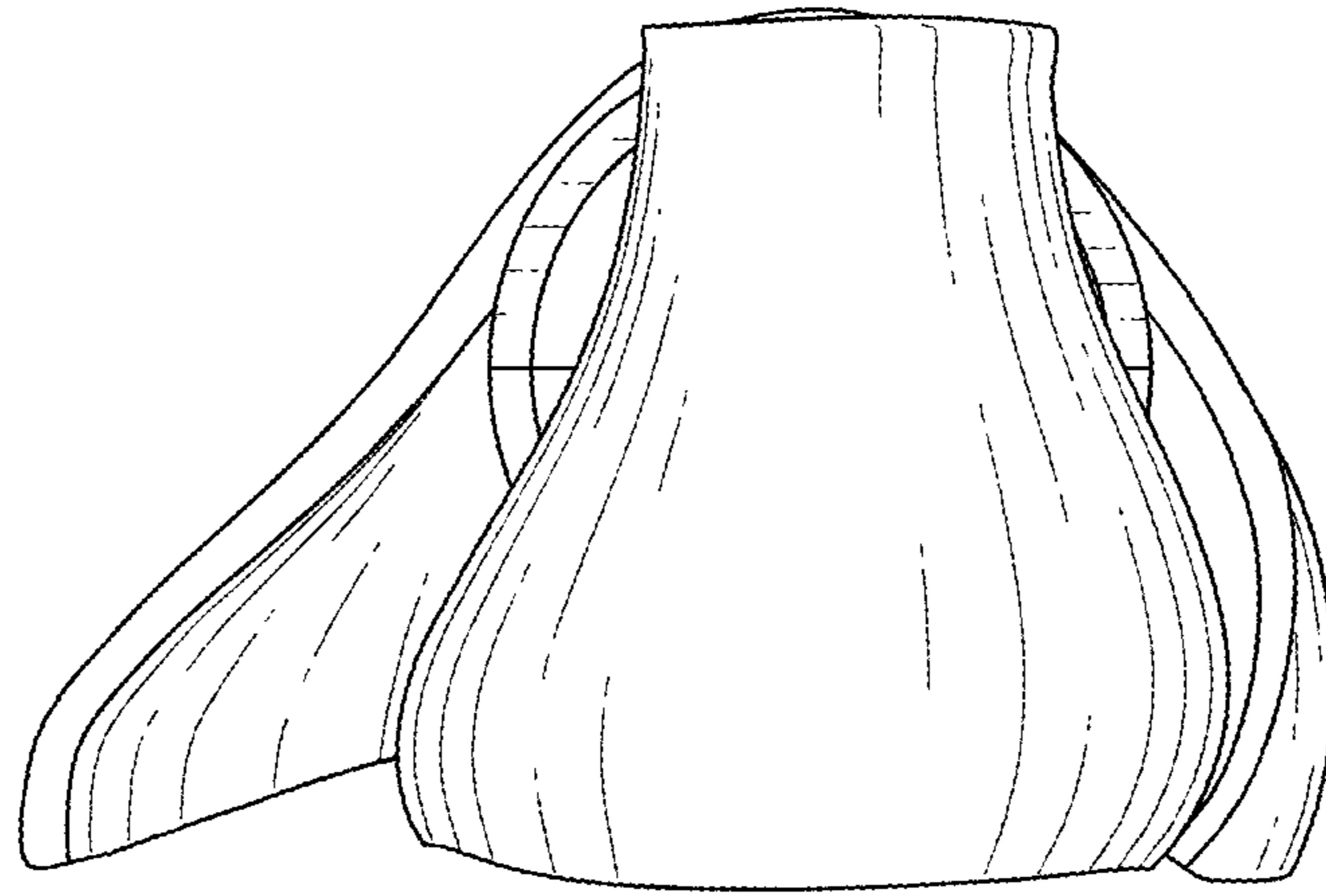


FIG. 4

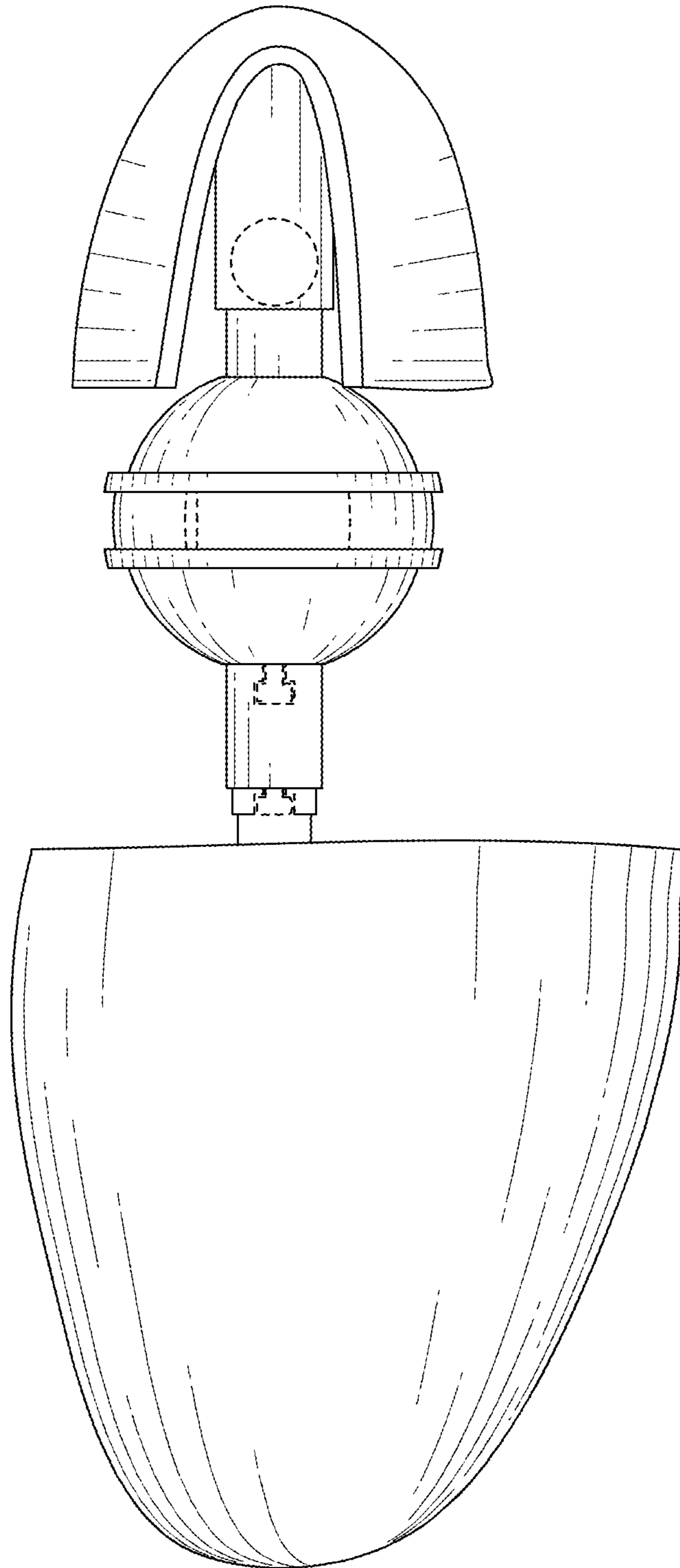


FIG. 5

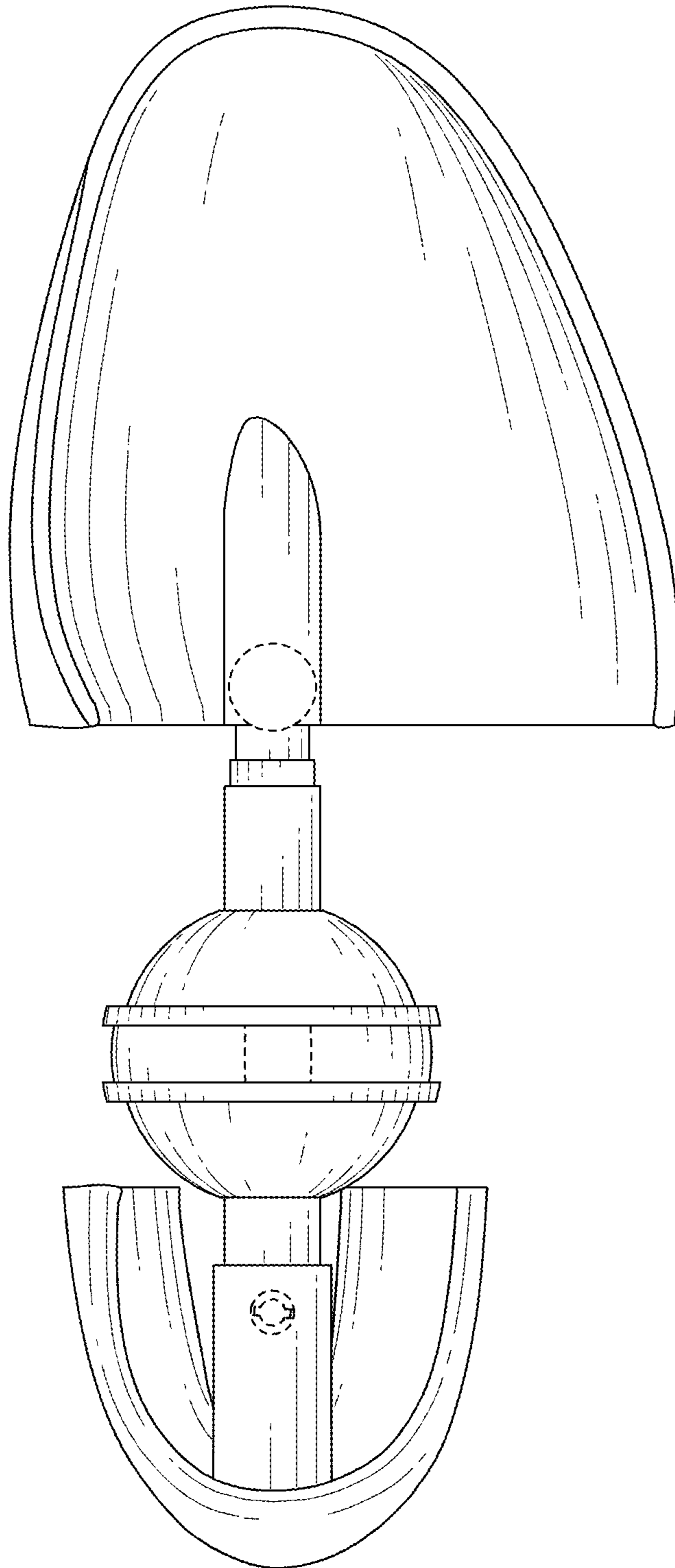


FIG. 6

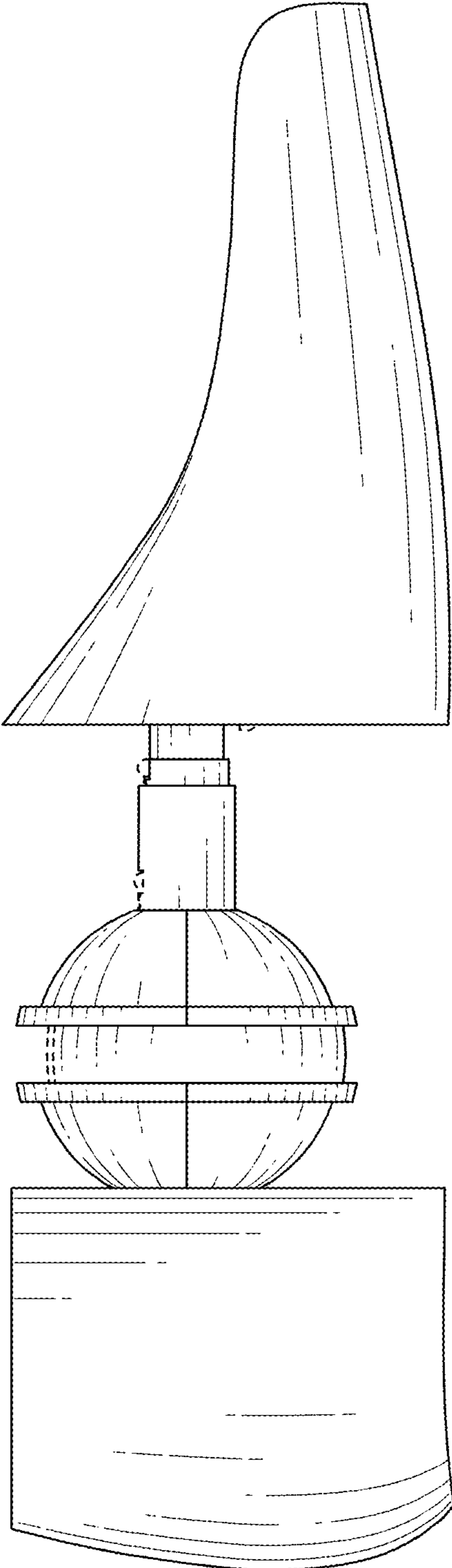


FIG. 7

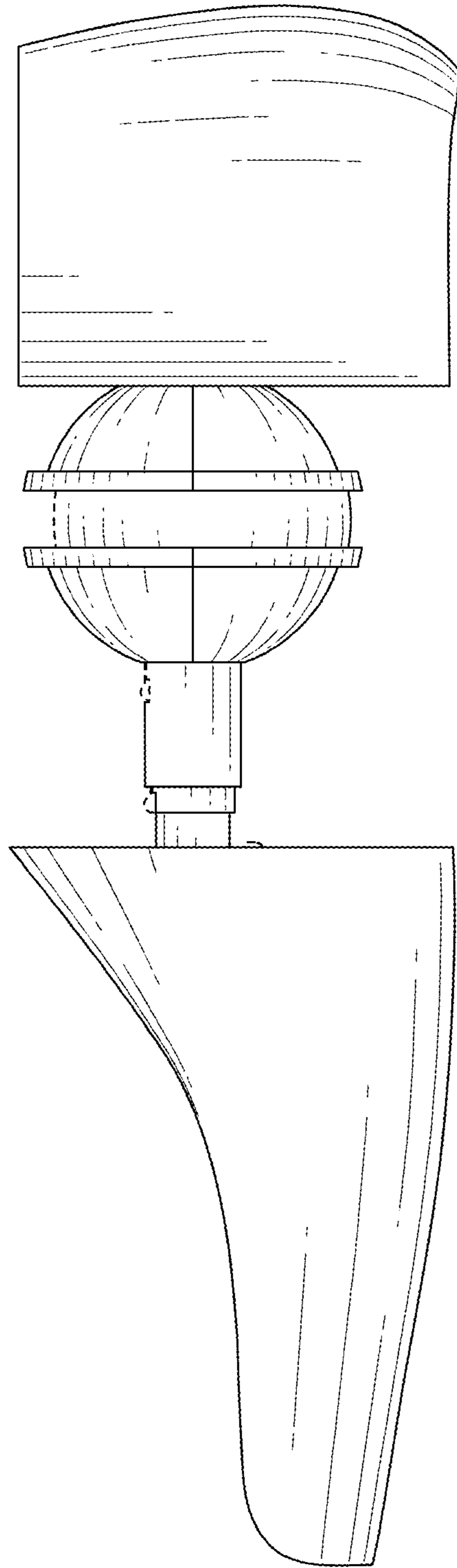


FIG. 8

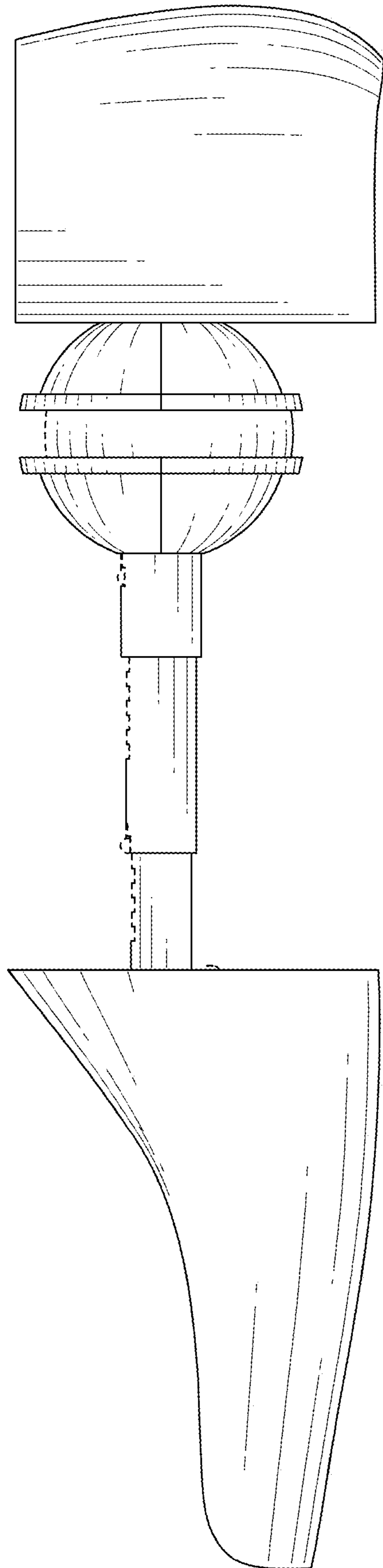


FIG. 9