



US00D903271S

(12) **United States Design Patent**
Williams

(10) **Patent No.:** **US D903,271 S**
(45) **Date of Patent:** **** Dec. 1, 2020**

(54) **HEEL**

(71) Applicant: **Lamar Antwoine Williams**, Los Angeles, CA (US)

(72) Inventor: **Lamar Antwoine Williams**, Los Angeles, CA (US)

(**) Term: **15 Years**

(21) Appl. No.: **29/701,124**

(22) Filed: **Aug. 8, 2019**

(51) **LOC (12) Cl.** **02-04**

(52) **U.S. Cl.**
USPC **D2/965**

(58) **Field of Classification Search**
USPC D2/896-900, 914, 915, 946, 947,
D2/964-968, 976; 36/43, 44, 136, 145,
36/3 R
CPC A43B 21/26; A43B 21/437; A43B 21/433;
A43B 1/0009
See application file for complete search history.

(56) **References Cited**

U.S. PATENT DOCUMENTS

D247,074 S *	1/1978	Henry	D2/947
D263,094 S *	2/1982	Mazabras	D2/965
D307,608 S *	5/1990	Shure	D2/946
D584,495 S *	1/2009	Choi	D2/966
D716,034 S *	10/2014	Whittington	D2/966
D747,862 S *	1/2016	Blair	D2/965

FOREIGN PATENT DOCUMENTS

CN	304440235	*	1/2018
GB	5003177	*	6/2016
JP	D1124606	*	10/2001

* cited by examiner

Primary Examiner — Cynthia Ramirez

Assistant Examiner — Laura H Yu

(74) *Attorney, Agent, or Firm* — Dunlap Bennett & Ludwig, PLLC; Brendan E. Squire

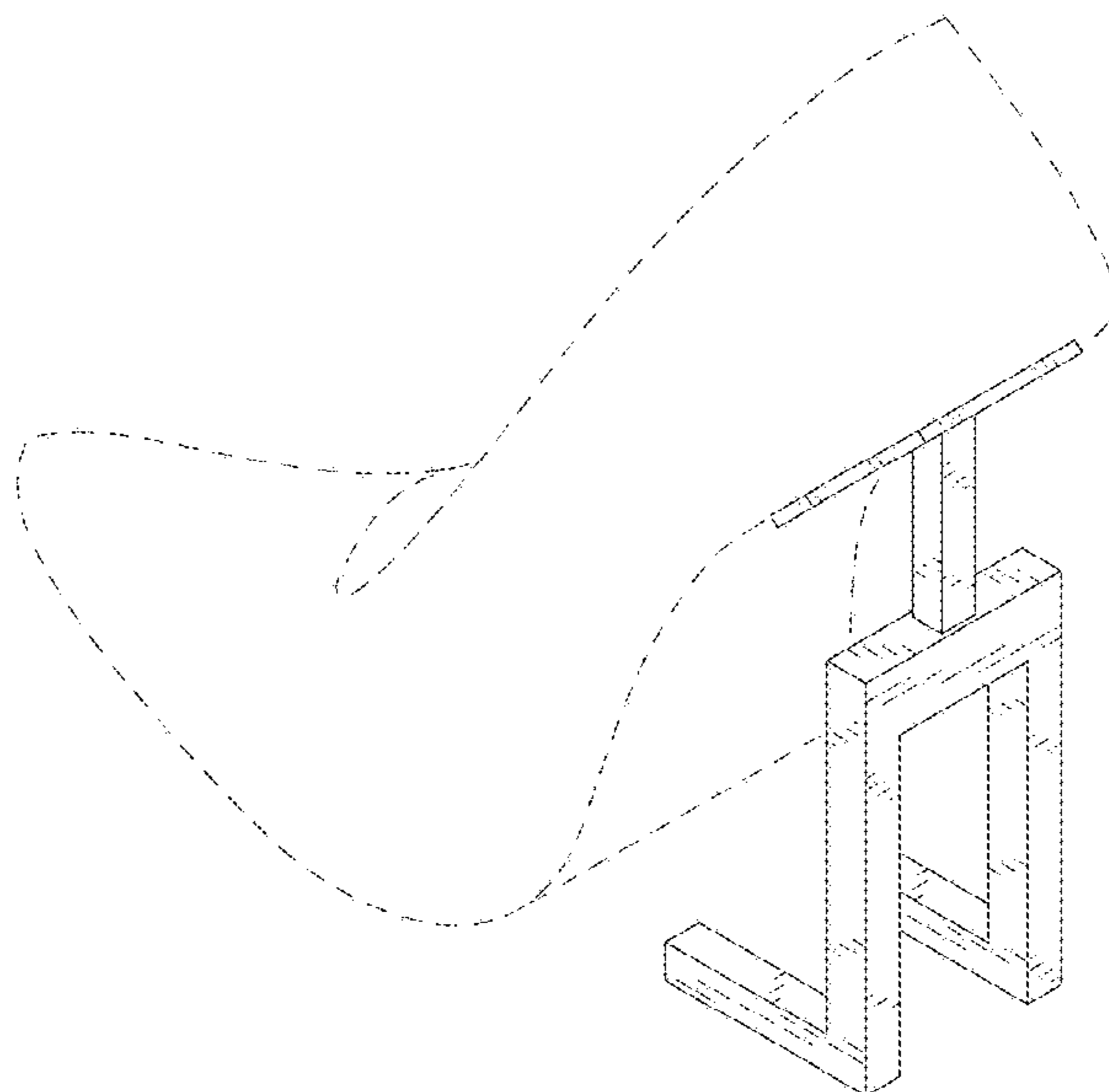
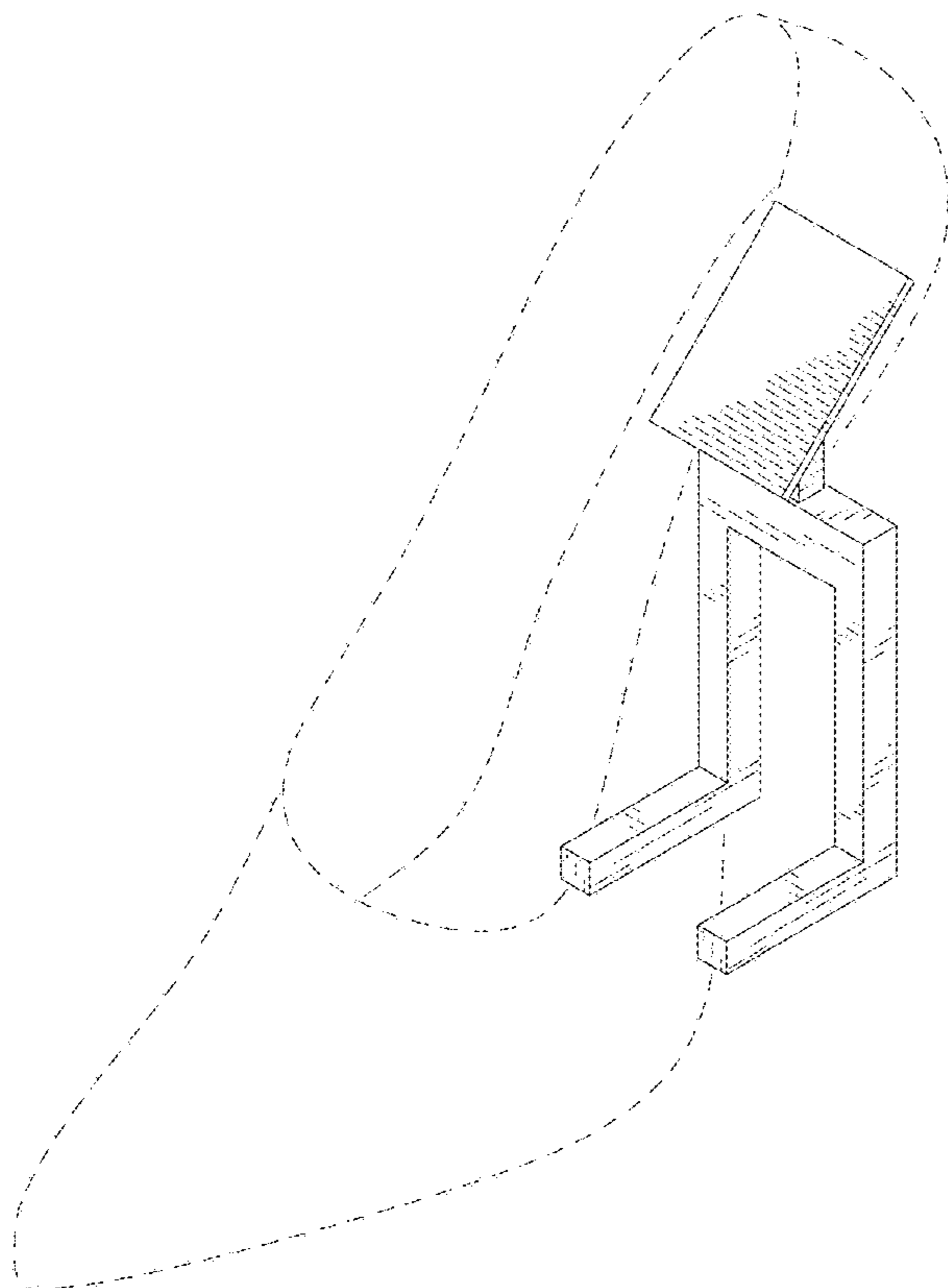
(57) **CLAIM**

The ornamental design for a heel, as shown and described.

DESCRIPTION

FIG. 1 is a top front perspective view of the heel showing my new design;
FIG. 2 is a top rear perspective view thereof;
FIG. 3 is a right side elevation view thereof, with the left side elevation view being a mirror image thereof;
FIG. 4 is a front elevation view thereof;
FIG. 5 is a rear elevation view thereof;
FIG. 6 is a top plan view thereof; and,
FIG. 7 is a bottom plan view thereof.
The broken lines in the drawings showing the heel in use illustrate environment and forms no part of the claim.

1 Claim, 4 Drawing Sheets



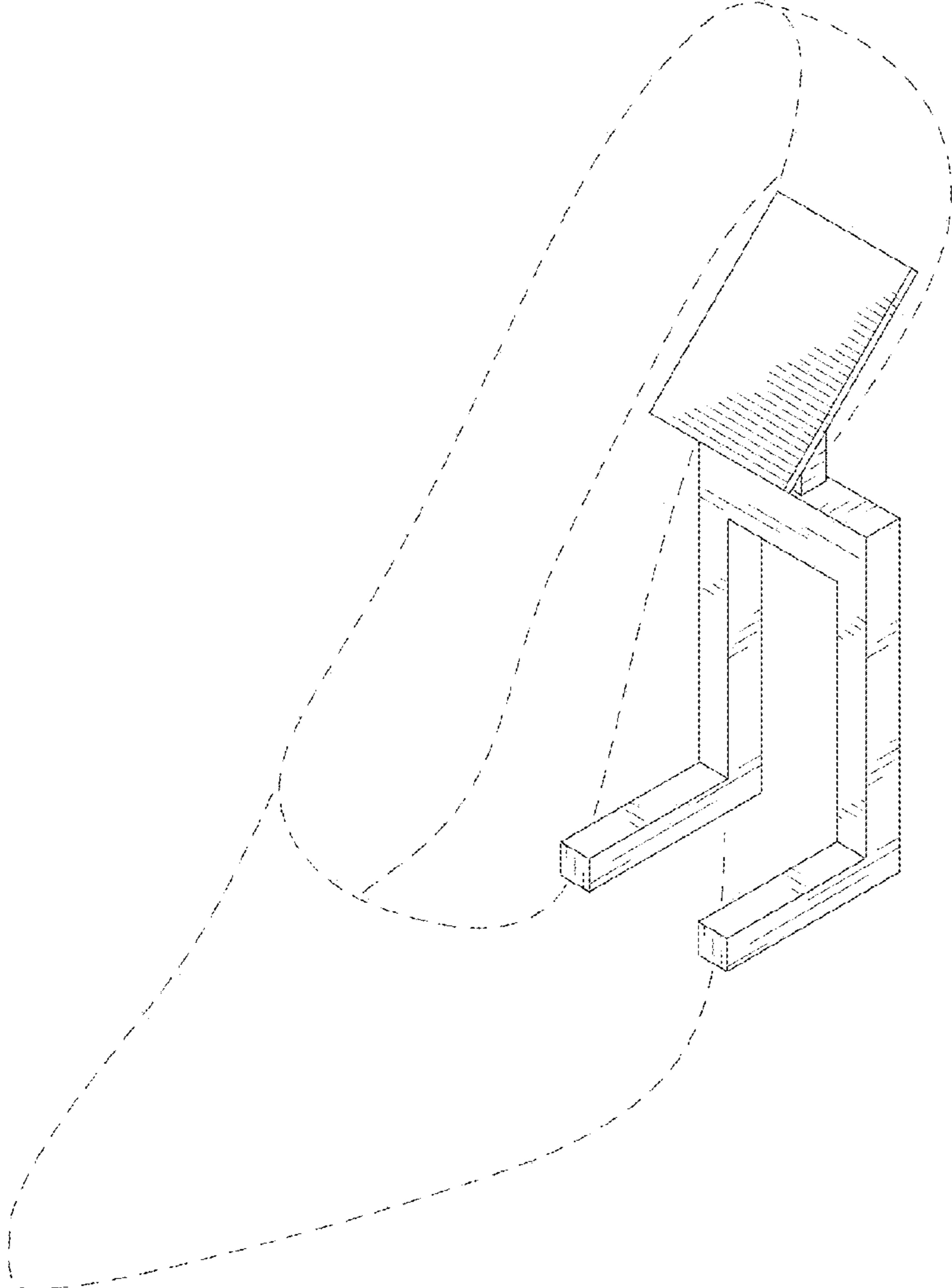


FIG. 1

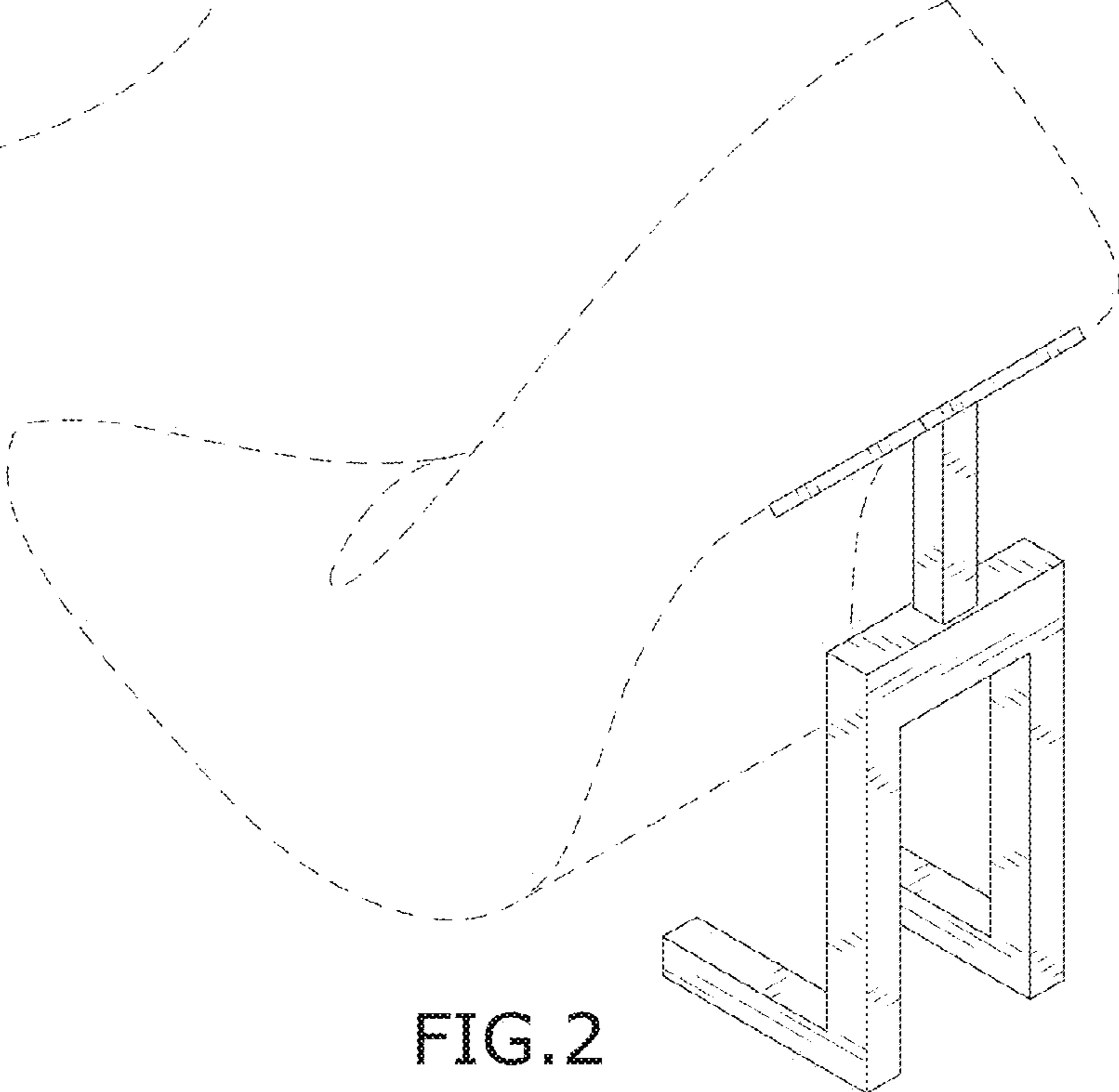


FIG. 2

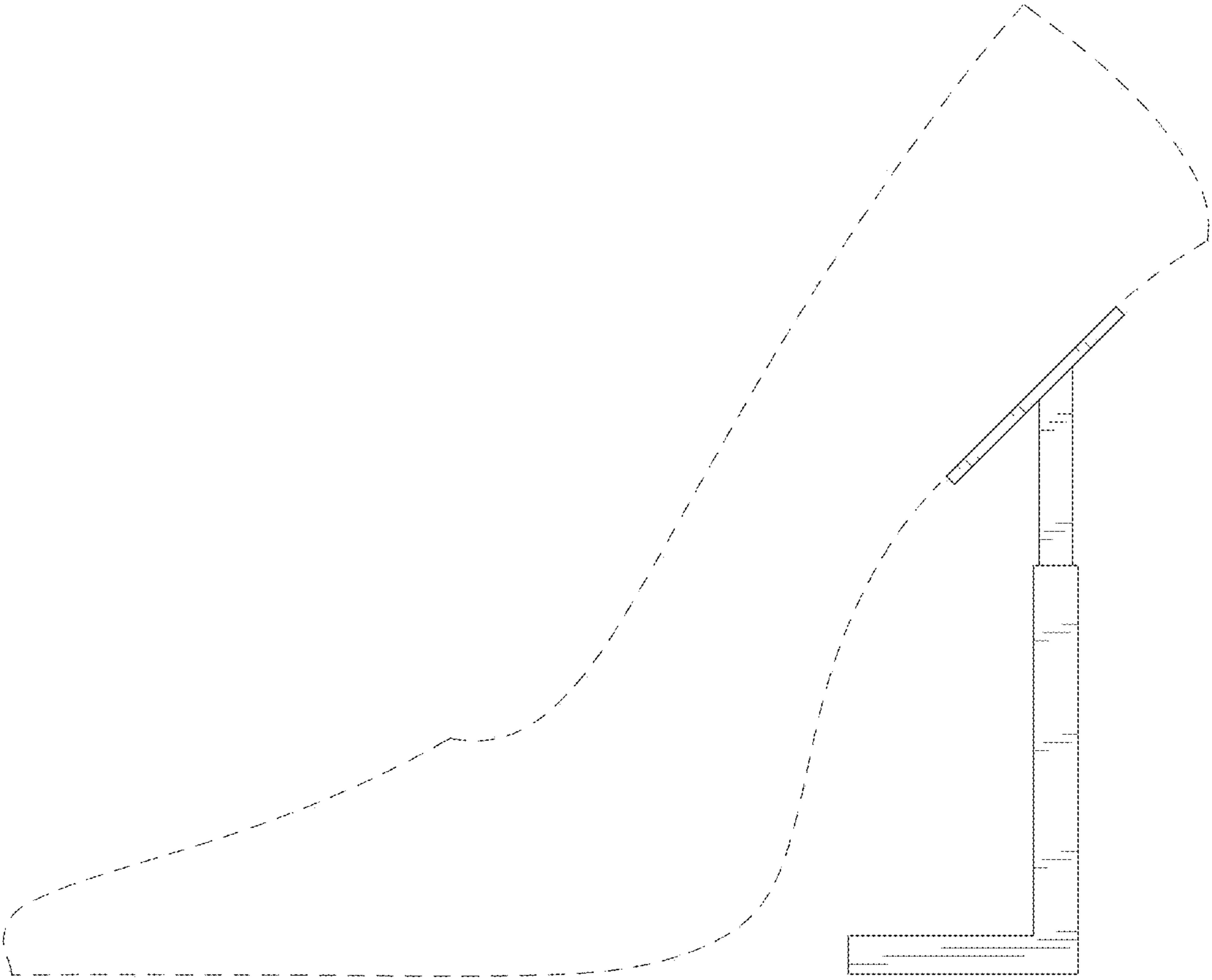


FIG. 3

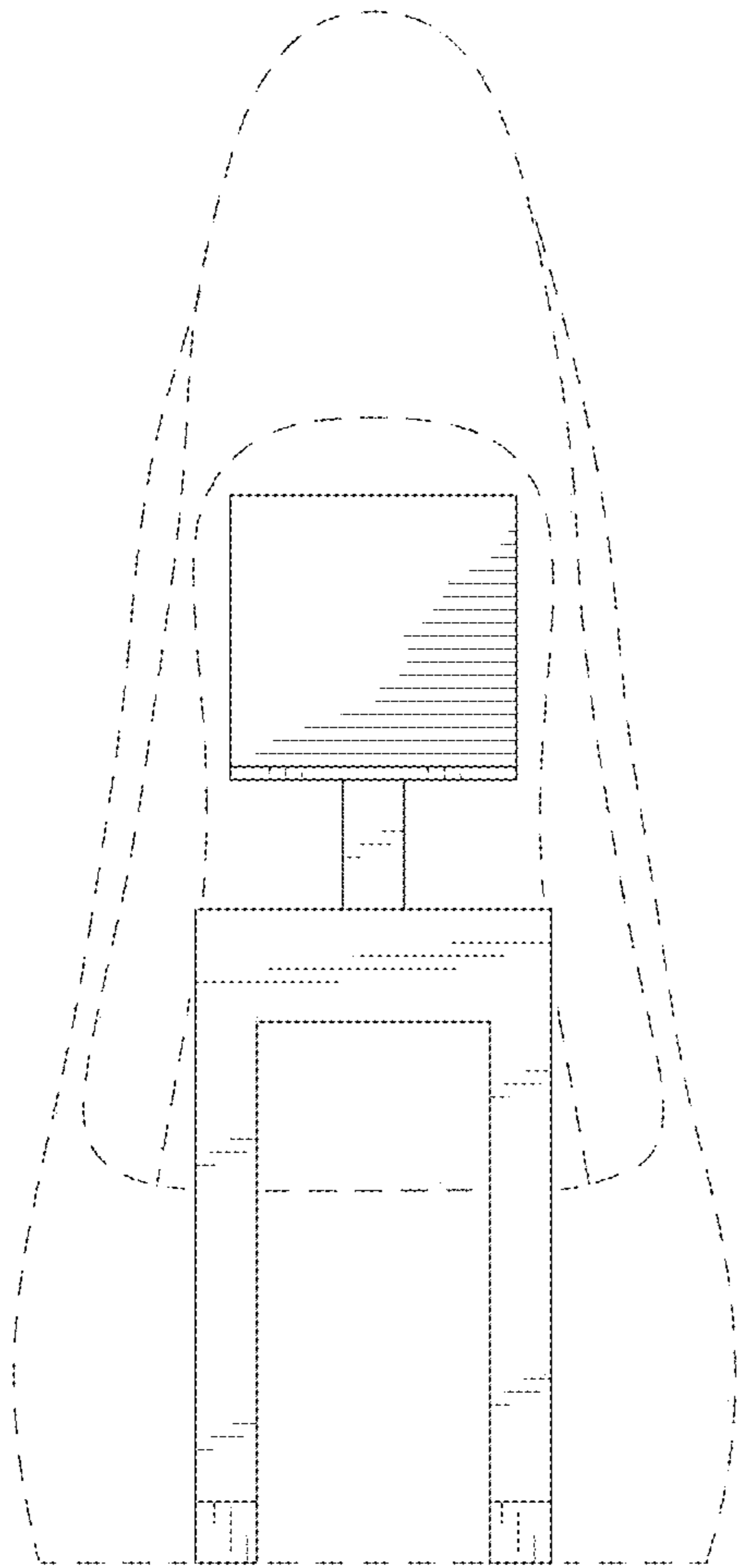


FIG. 4

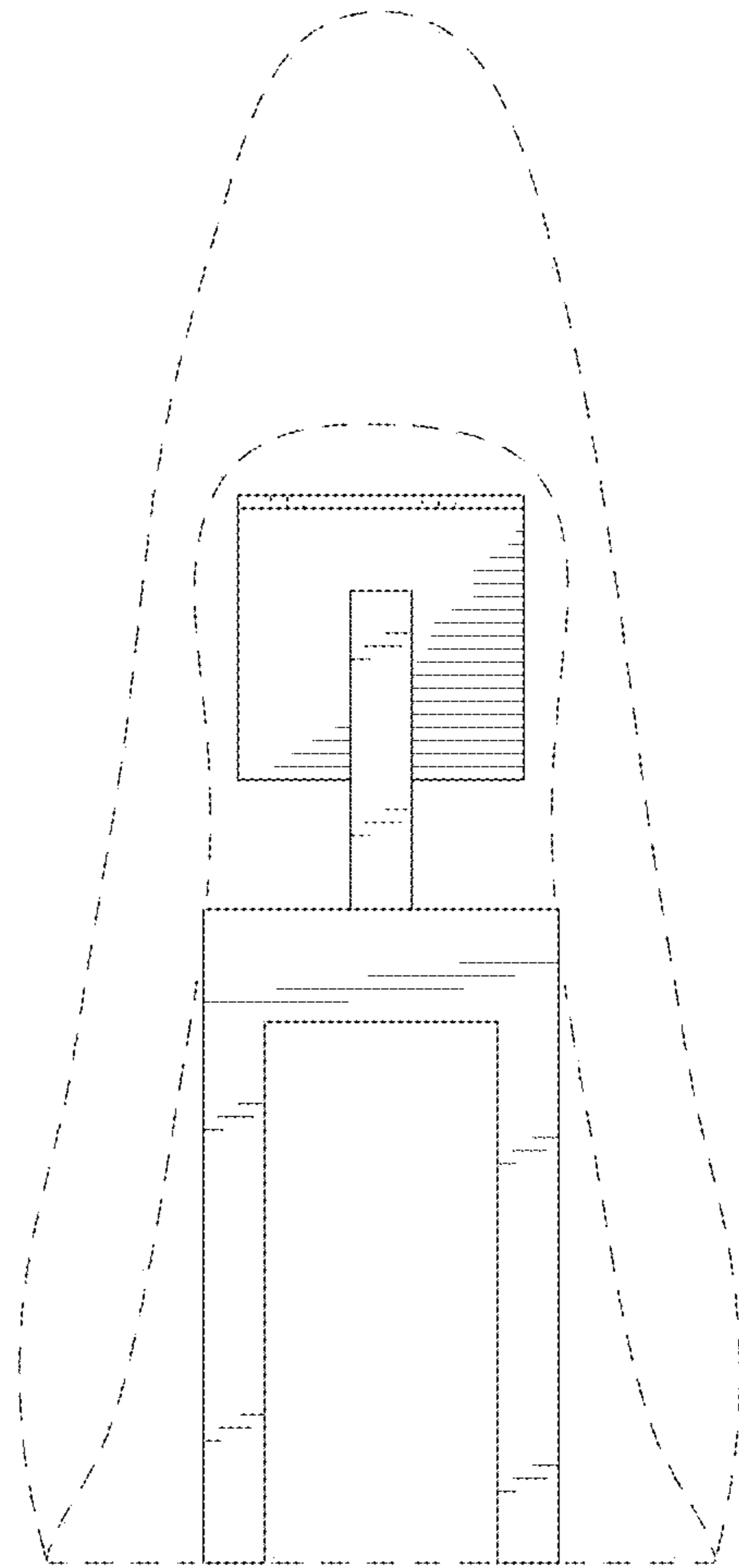


FIG. 5

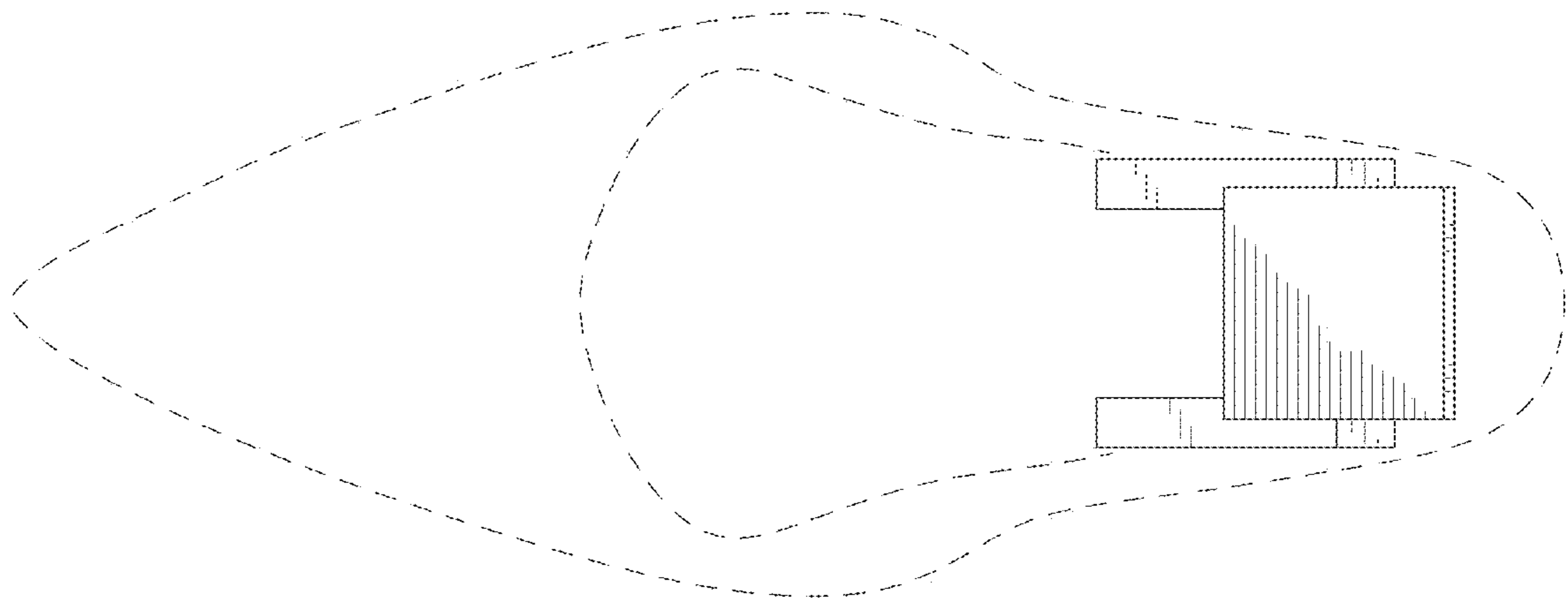


FIG. 6

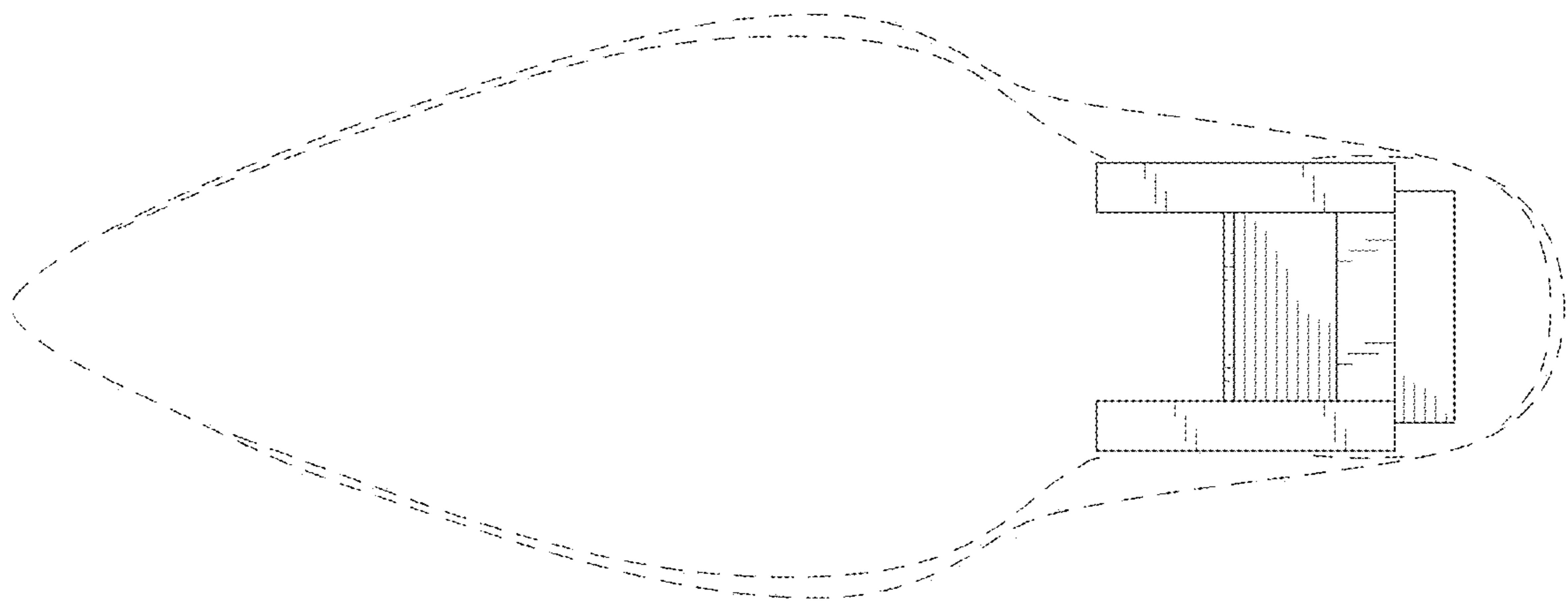


FIG. 7