



US00D903253S

(12) **United States Design Patent** (10) **Patent No.:** **US D903,253 S**
Vella (45) **Date of Patent:** **** Dec. 1, 2020**

(54) **SHOE**
(71) Applicant: **PUMA SE**, Herzogenaurach (DE)
(72) Inventor: **Chris Vella**, Cambridge, MA (US)
(73) Assignee: **PUMA SE**, Herzogenaurach (DE)
(**) Term: **15 Years**

D329,534 S * 9/1992 Worthington D2/959
D330,970 S * 11/1992 Hatfield D2/977
D331,143 S 11/1992 McDonald
D333,551 S * 3/1993 Bailey D2/977
D334,279 S * 3/1993 Teague D2/977
D334,650 S 4/1993 Teague
D335,022 S * 4/1993 Lozano D2/960
D336,150 S * 6/1993 Peterson D2/958
D336,359 S * 6/1993 Peterson D2/952

(Continued)

(21) Appl. No.: **29/677,167**

(22) Filed: **Jan. 17, 2019**

(51) **LOC (12) Cl.** **02-04**

(52) **U.S. Cl.**
USPC **D2/947; D2/951; D2/953; D2/956;**
D2/959

(58) **Field of Classification Search**
USPC D2/902, 906, 908, 916, 918, 925,
D2/946-962, 977; 36/3 B, 22 R, 24.5,
36/25 R, 28, 32 R, 34 R, 59 C, 67 A, 103
CPC A43B 13/00; A43B 13/02; A43B 13/023;
A43B 13/026; A43B 13/04; A43B 13/08;
A43B 13/10; A43B 13/12; A43B 13/14;
A43B 13/141; A43B 13/143; A43B
13/16; A43B 13/18; A43B 13/181; A43B
13/187; A43B 13/189; A43B 13/20; A43B
13/22; A43B 13/223; A43B 13/24; A43B
13/28; A43B 13/30; A43B 13/32; A43B
13/34; A43B 13/36

See application file for complete search history.

(56) **References Cited**

U.S. PATENT DOCUMENTS

D61,017 S * 5/1922 Heilhecker D2/953
D145,944 S * 11/1946 Knisely D2/955
D315,443 S * 3/1991 Hatfield D2/954
D316,626 S * 5/1991 Hatfield D2/954
D324,762 S 3/1992 Hatfield
D327,164 S * 6/1992 Hatfield D2/954

OTHER PUBLICATIONS

Lqdcell Optic Dim Men's Training Shoes, Puma.com, [online], [site visited Mar. 24, 2020]. <URL: https://us.puma.com/en/us/pd/lqdcell-optic-dim-mens-training-shoes/193637.html?dwvar_193637_color=02> (Year: 2020) 1 page.

(Continued)

Primary Examiner — T Chase Nelson
(74) *Attorney, Agent, or Firm* — Quarles & Brady LLP

(57) **CLAIM**

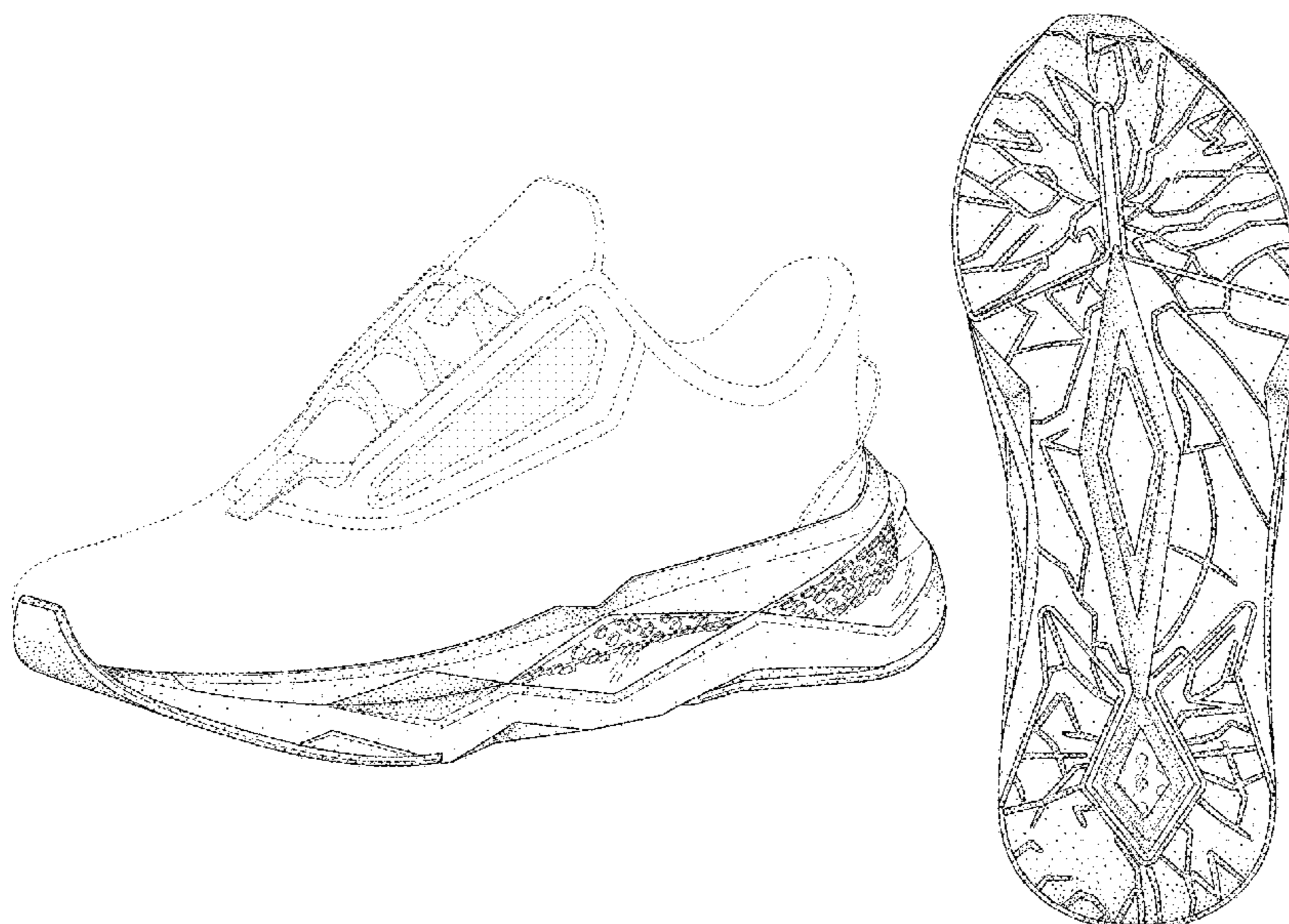
The ornamental design for a shoe, as shown and described.

DESCRIPTION

FIG. 1 is a top, left, and front perspective view of an ornamental design for a shoe;
FIG. 2 is a front elevational view of the shoe of FIG. 1;
FIG. 3 is a rear elevational view of the shoe of FIG. 1;
FIG. 4 is a left side elevational view of the shoe of FIG. 1;
FIG. 5 is a right side elevational view of the shoe of FIG. 1;
FIG. 6 is a top plan view of the shoe of FIG. 1;
FIG. 7 is a bottom plan view of the shoe of FIG. 1; and,
FIG. 8 is a bottom, right, and rear perspective view of the shoe of FIG. 1.

The dash-dash-dash lines are included for the purpose of illustrating portions of the shoe that form no part of the claimed design.

1 Claim, 7 Drawing Sheets



(56)

References Cited

U.S. PATENT DOCUMENTS

D351,717 S * 10/1994 Kayano D2/957
 D353,709 S * 12/1994 Mitsui D2/952
 D373,458 S * 9/1996 Tanaka D2/953
 D379,863 S * 6/1997 Kayano D2/953
 5,716,723 A * 2/1998 Van Cleef A43B 1/0036
 36/25 R
 D395,742 S * 7/1998 Wurfbain D2/957
 5,822,885 A * 10/1998 Loverin A43B 1/0072
 36/25 R
 D403,143 S * 12/1998 Gillespie D2/952
 5,893,219 A * 4/1999 Smith A43B 5/00
 36/29
 D414,920 S * 10/1999 Cahill D2/951
 D423,199 S * 4/2000 Cahill D2/951
 D440,745 S * 4/2001 Matis D2/951
 D487,336 S 3/2004 Matis
 D504,012 S 4/2005 Fullum
 D529,696 S 10/2006 Cockrell
 D548,949 S 8/2007 Hui
 D552,835 S 10/2007 Belley et al.
 D553,334 S 10/2007 Belley et al.
 D564,192 S * 3/2008 Covatch D2/953
 D564,741 S * 3/2008 Covatch D2/953
 D566,938 S 4/2008 Matis et al.
 D566,940 S 4/2008 Schoenborn et al.
 D569,594 S * 5/2008 Horne D2/953
 D571,086 S 6/2008 Yamashita et al.
 D578,282 S 10/2008 Duffy
 D593,292 S * 6/2009 McClaskie D2/957
 D594,638 S * 6/2009 Butler D2/952
 D598,190 S 8/2009 Weber
 D601,333 S * 10/2009 McClaskie D2/951
 D607,190 S * 1/2010 McClaskie D2/951
 D617,540 S * 6/2010 McClaskie D2/951
 D617,541 S * 6/2010 Petrie D2/951
 D636,571 S * 4/2011 Avar D2/951
 D640,044 S * 6/2011 Badegruber D2/951
 D643,615 S 8/2011 Avar
 D648,514 S * 11/2011 Avar D2/946
 D654,256 S * 2/2012 McClaskie D2/951
 D659,364 S * 5/2012 Jolicoeur D2/951
 D682,516 S * 5/2013 Avar D2/947
 D701,027 S * 3/2014 Lee D2/951
 D702,031 S 4/2014 Nakano
 D707,943 S 7/2014 Nascimento
 D710,078 S 8/2014 Joseph
 D714,039 S * 9/2014 Miner D2/951
 D724,296 S 3/2015 Law et al.
 D724,298 S 3/2015 Zaedow
 D737,557 S 9/2015 Miner
 D741,582 S 10/2015 Miner
 D744,731 S * 12/2015 Wawrousek D2/947
 D748,902 S 2/2016 Humphrey et al.
 D752,329 S 3/2016 Kirschner

D755,491 S * 5/2016 Nakano D2/951
 D756,095 S * 5/2016 Nakano D2/951
 D758,708 S * 6/2016 Wawrousek D2/947
 D759,357 S 6/2016 Miner
 D784,668 S 4/2017 Pauk
 D787,792 S * 5/2017 Caron D2/951
 D788,433 S 6/2017 Taylor
 D801,024 S 10/2017 Chang
 D802,266 S 11/2017 Hardman
 D802,899 S 11/2017 Bischoff et al.
 D809,755 S 2/2018 Stavseng et al.
 D809,756 S 2/2018 Stavseng et al.
 D809,757 S * 2/2018 Ford D2/947
 D817,619 S * 5/2018 Bressanin D2/958
 D820,567 S 6/2018 Pulli
 D821,717 S * 7/2018 Howe D2/957
 D831,311 S 10/2018 Pulli
 D836,892 S 1/2019 Jenkins et al.
 D844,952 S 4/2019 Taylor
 D848,721 S 5/2019 Fracassi
 D850,083 S 6/2019 Jenkins et al.
 D851,370 S 6/2019 Stavseng et al.
 D852,483 S * 7/2019 Haskins D2/958
 D853,099 S 7/2019 Parrett
 D853,690 S 7/2019 Taylor
 D855,295 S 8/2019 Della Valle et al.
 D859,797 S 9/2019 Chanthavong
 D859,801 S 9/2019 Jenkins et al.
 D862,866 S 10/2019 Albrecht et al.
 D872,433 S 1/2020 O'Connor
 D873,545 S 1/2020 Hartmann et al.
 D874,098 S 2/2020 Hartmann et al.
 D874,099 S 2/2020 Hartmann et al.
 D874,801 S 2/2020 Hartmann et al.
 D876,069 S 2/2020 Mace
 D877,467 S 3/2020 Taylor
 D878,014 S * 3/2020 Chen D2/919
 D882,909 S * 5/2020 Small D2/902
 D885,721 S * 6/2020 Williams D2/947
 2001/0042321 A1 * 11/2001 Tawney A43B 13/20
 36/29
 2010/0199523 A1 8/2010 Mayden et al.
 2010/0281711 A1 11/2010 Vestuti et al.
 2014/0115925 A1 5/2014 Hurd et al.
 2019/0320759 A1 * 10/2019 Conrad A43B 13/186

OTHER PUBLICATIONS

Puma x First Mile Hybrid NX Ozone Men's Running Shoes, Puma.com, [online], [site visited Mar. 24, 2020]. <URL: https://us.puma.com/en/us/pd/puma-x-first-mile-hybrid-nx-ozone-mens-running-shoes/193108.html?dwvar_193108_color=02> (Year: 2020) 1 page.
 Puma Lqdcell Optic, YouTube.com, WearTesters, Published on Aug. 6, 2019, [online], [site visited Mar. 24, 2020]. <URL: https://www.youtube.com/watch?v=W5_0xyDsGOE> (Year: 2019) 1 page.

* cited by examiner

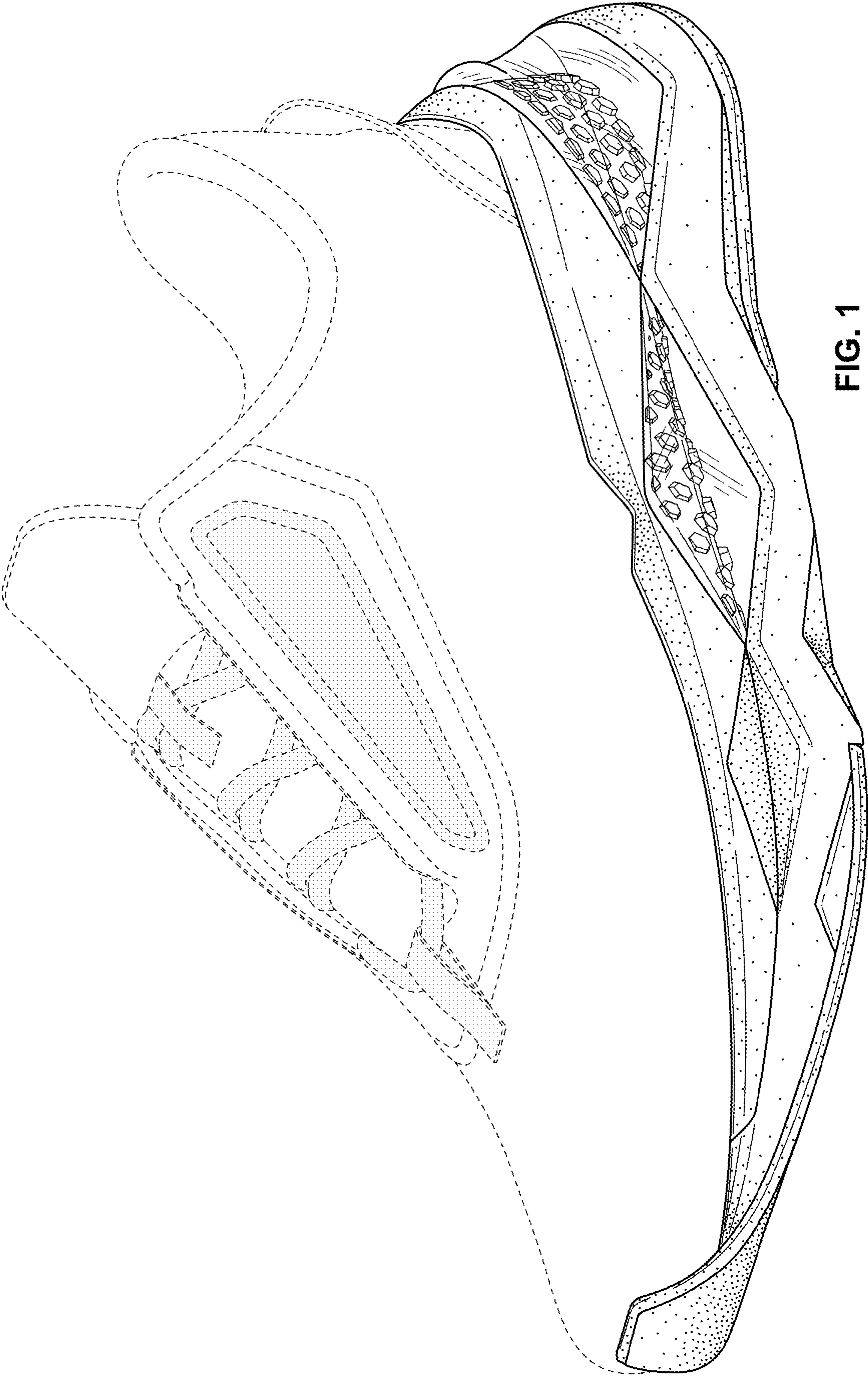


FIG. 1

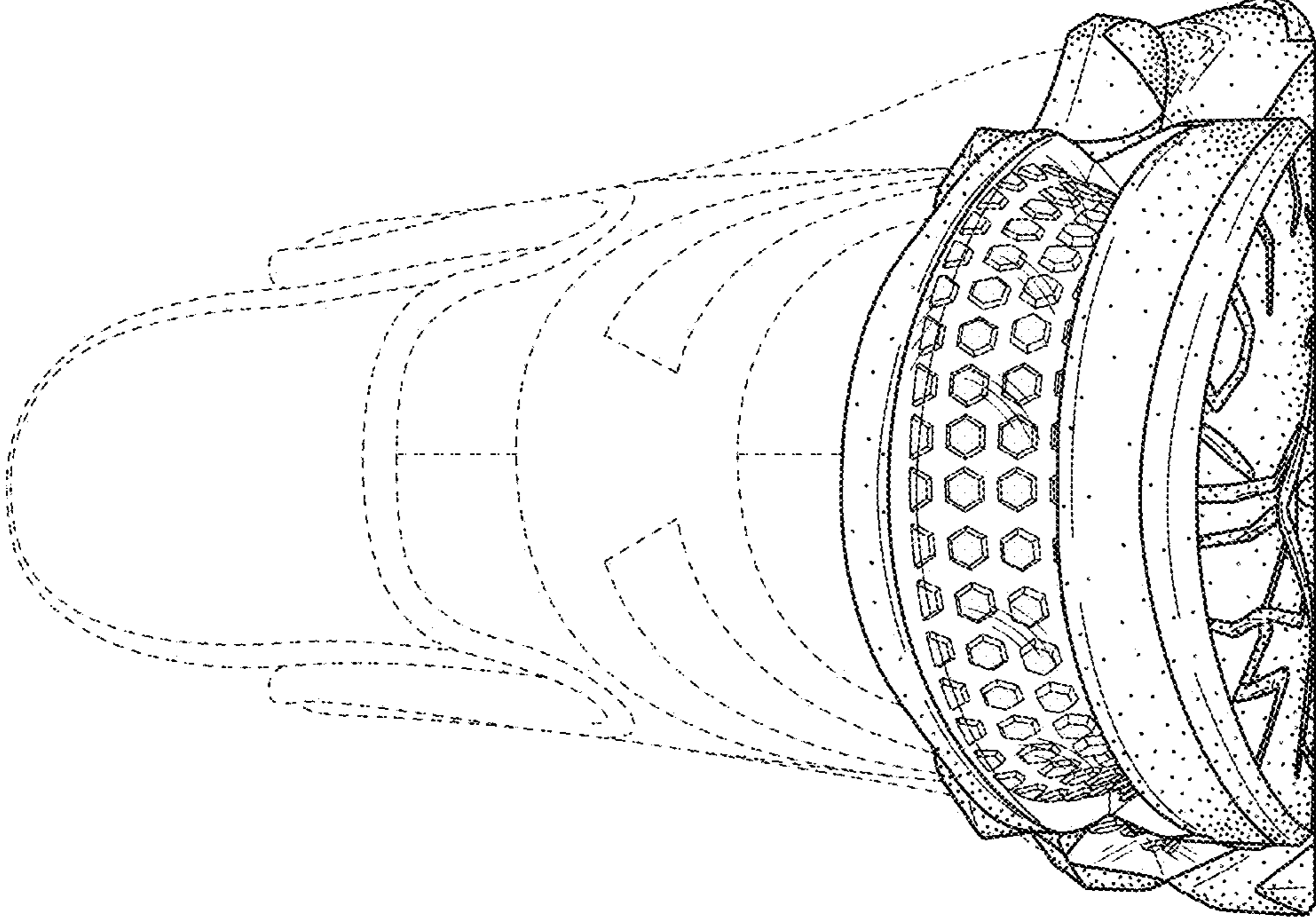


FIG. 3

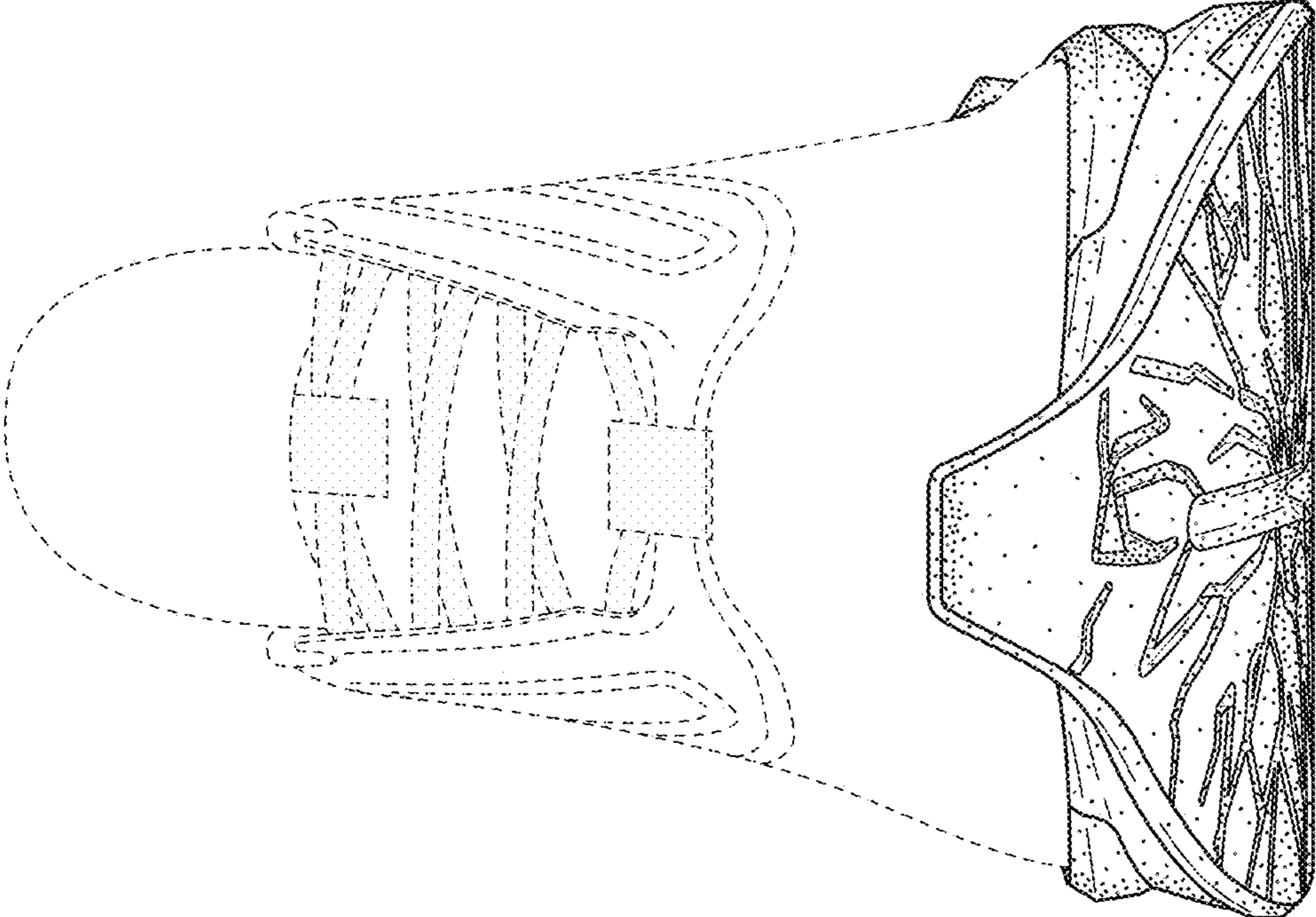


FIG. 2

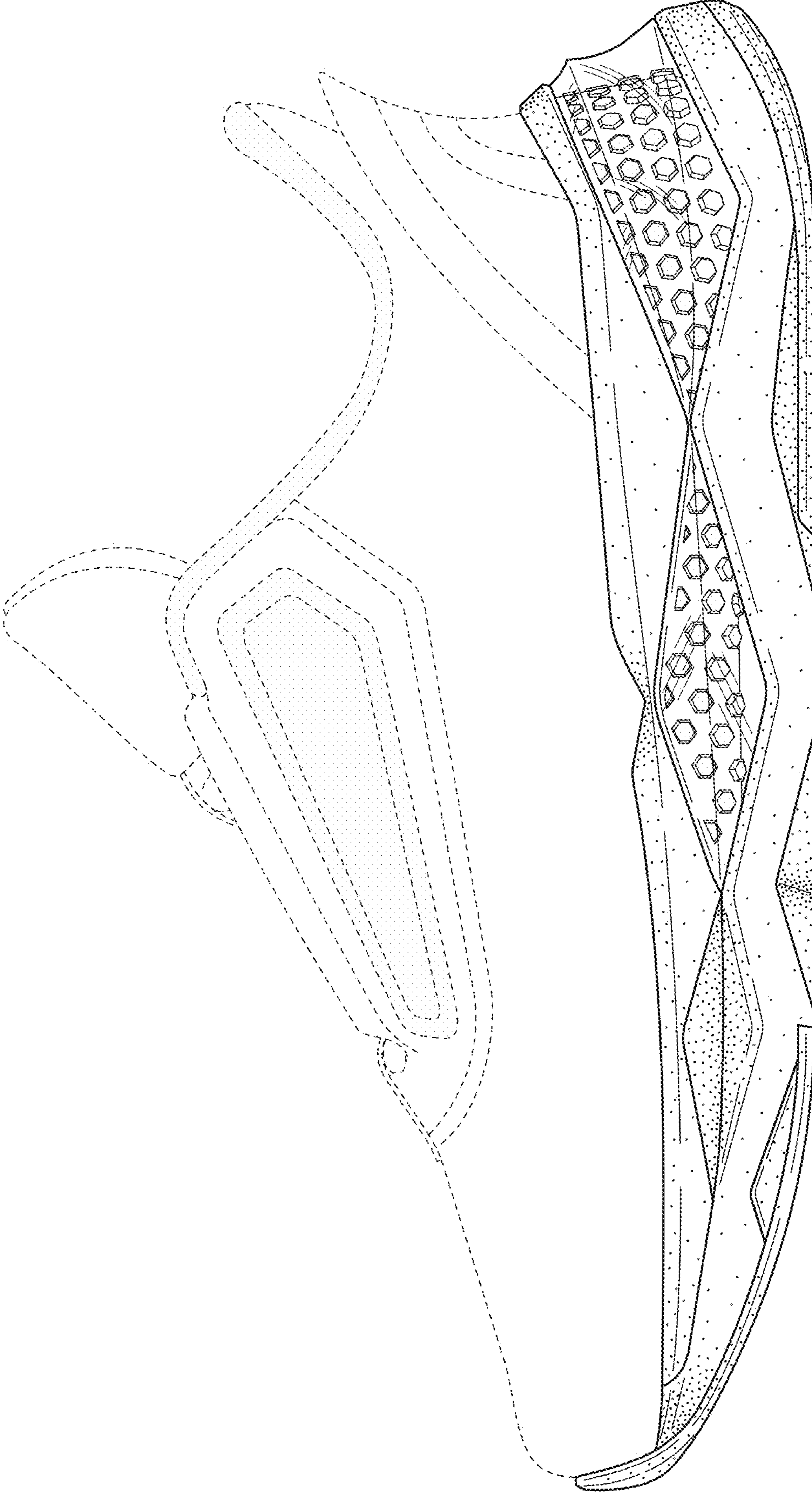


FIG. 4

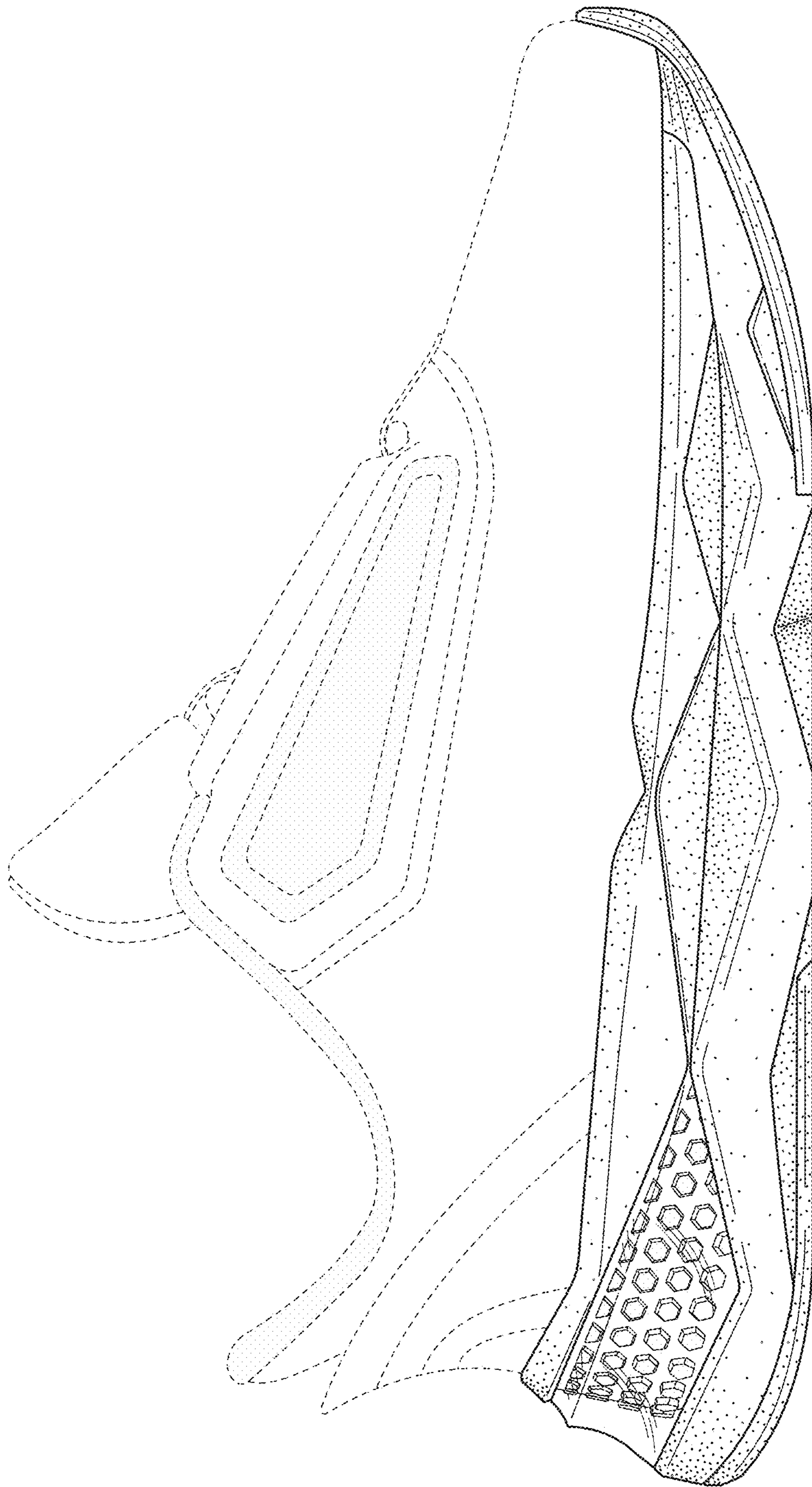


FIG. 5

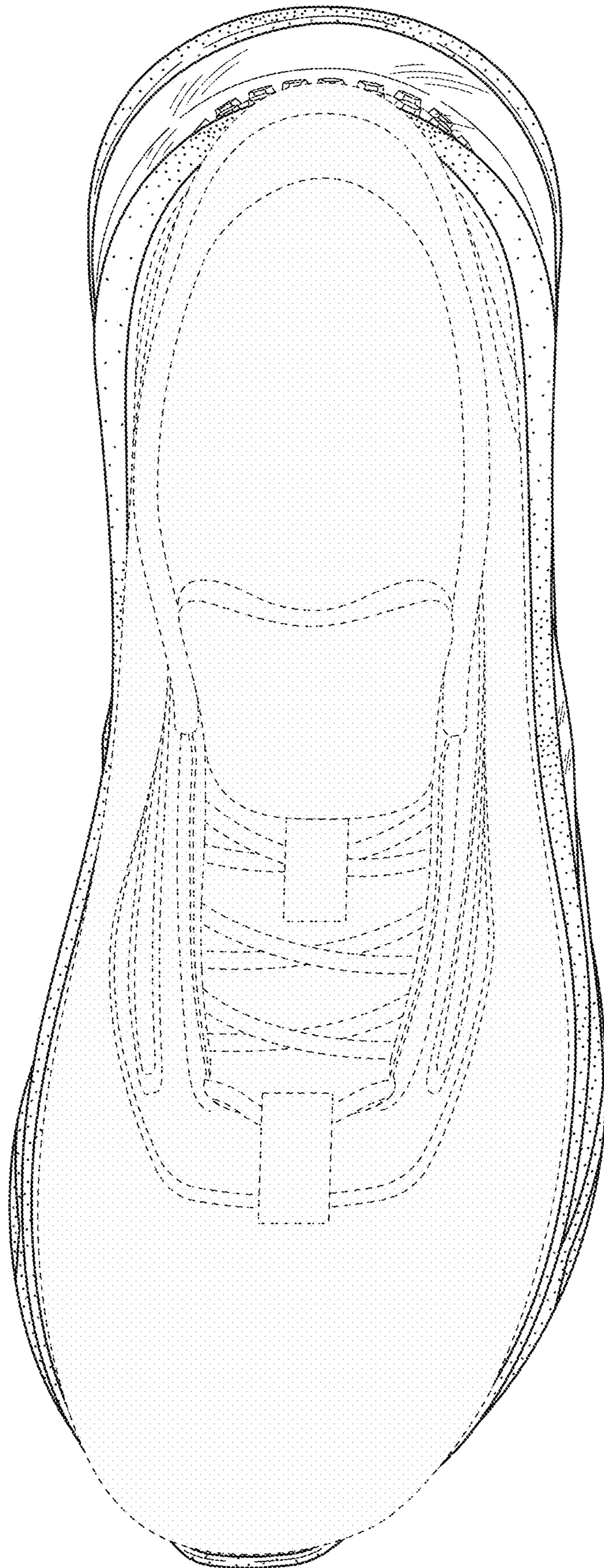


FIG. 6

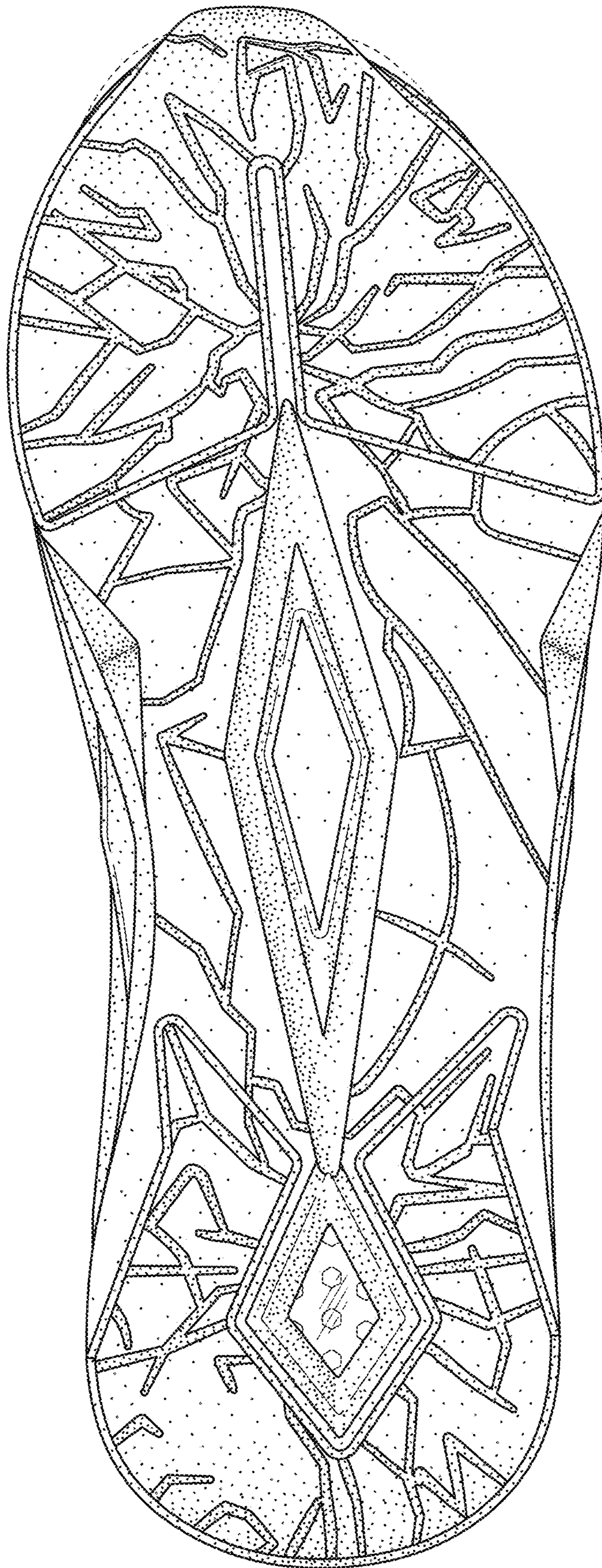


FIG. 7

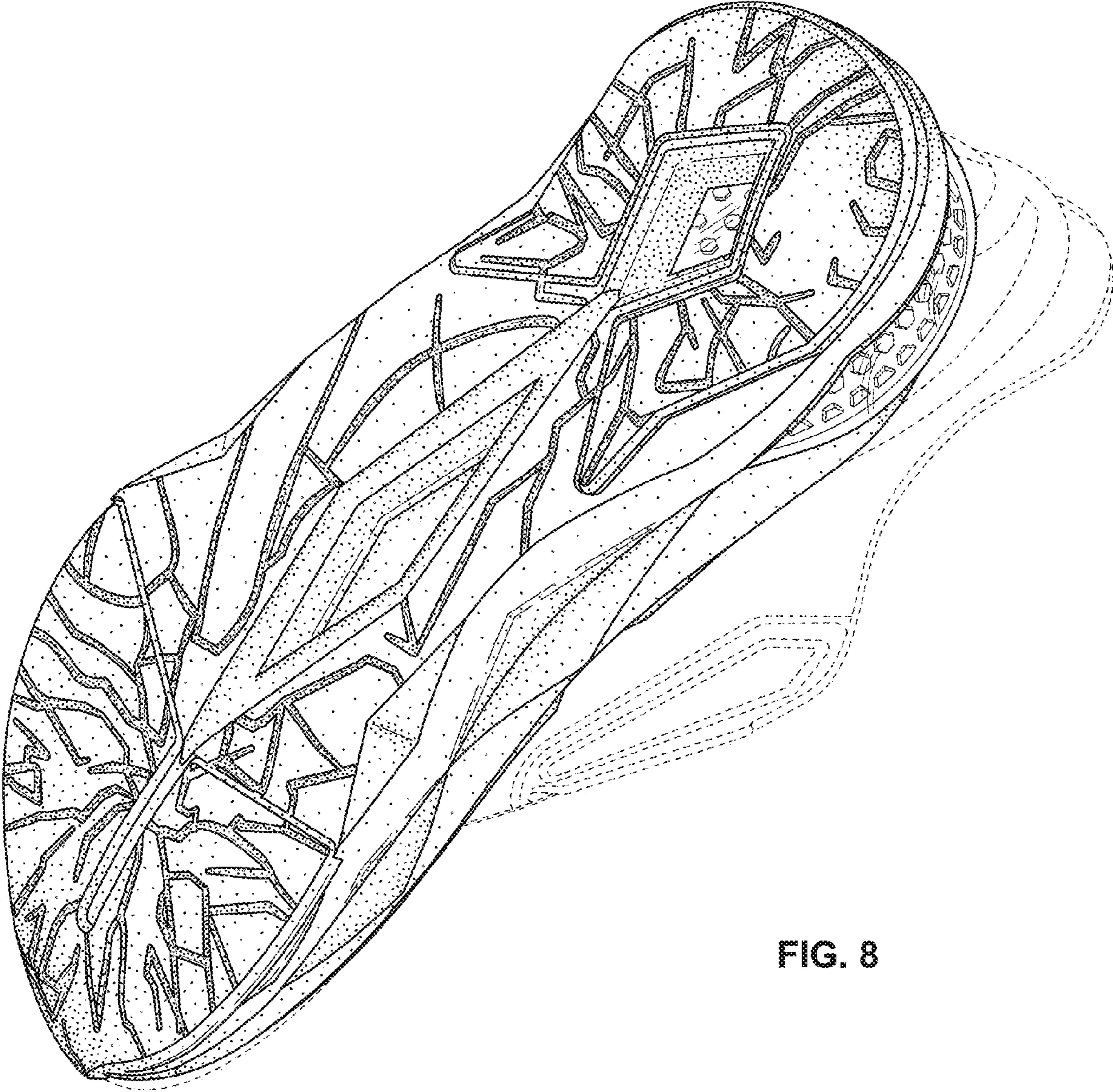


FIG. 8