



US00D903234S

(12) **United States Design Patent**
Filipowers

(10) **Patent No.:** **US D903,234 S**

(45) **Date of Patent:** **** Dec. 1, 2020**

(54) **MEN'S SUPPORTED UNDERWEAR**

(71) Applicant: **Zbigniew Filipowers**, Naples, FL (US)

(72) Inventor: **Zbigniew Filipowers**, Naples, FL (US)

(**) Term: **15 Years**

(21) Appl. No.: **29/693,077**

(22) Filed: **May 30, 2019**

(51) **LOC (12) Cl.** **02-01**

(52) **U.S. Cl.**
USPC **D2/712**

(58) **Field of Classification Search**
USPC D2/712-714, 716, 738
CPC A41B 9/00; A41B 9/02; A41B 9/004
See application file for complete search history.

(56) **References Cited**

U.S. PATENT DOCUMENTS

D288,485 S *	2/1987	Denno	D2/712
D353,933 S *	1/1995	Michels	D2/712
D399,987 S *	10/1998	Bradley	D2/713
6,862,746 B2 *	3/2005	Cym	A41B 9/023 2/403
D651,377 S *	1/2012	Weaver	D2/712
D652,197 S *	1/2012	Sanchez	D2/712
D681,914 S *	5/2013	Scott	D2/712
D693,090 S *	11/2013	Denning	D2/712
D760,995 S *	7/2016	Astin	D2/712
D762,045 S *	7/2016	Popp	D2/712
D811,041 S *	2/2018	Bethke, Jr.	D2/712
2014/0304899 A1 *	10/2014	Almonte	A41F 17/00 2/403
2014/0317821 A1 *	10/2014	Berns	A41B 9/02 2/69

OTHER PUBLICATIONS

Sexy Transparent Black Latex Underwear Briefs Shorts Latex Condom Penis Sheath, posted NA [online], (retrieved Sep. 22,

2020), Retrieved from the internet, <https://www.made-in-china.com/showroom/selinasu2006/product-detailYsMJPwloAHVI/China-Sexy-Transparent-Black-Latex-Underwear-Briefs-Shorts%E2%80%A6> (Year: NA).*
Hot Selling Moulded Latex Shorts/Briefs with Penis, posted NA [online], (retrieved Sep. 22, 2020), Retrieved from the internet, [://www.made-in-china.com/showroom/splitter2016/product-detailoShJAEkvgtrF/China-Hot-Selling-Moulded-Latex-Shorts-Briefs-with-Penis-Condo%E2%80%A6](https://www.made-in-china.com/showroom/splitter2016/product-detailoShJAEkvgtrF/China-Hot-Selling-Moulded-Latex-Shorts-Briefs-with-Penis-Condo%E2%80%A6) (Year: NA).*

* cited by examiner

Primary Examiner — Kevin K Rudzinski

Assistant Examiner — J. Thorn, Sr.

(74) *Attorney, Agent, or Firm* — The Rapacke Law Group P.A.

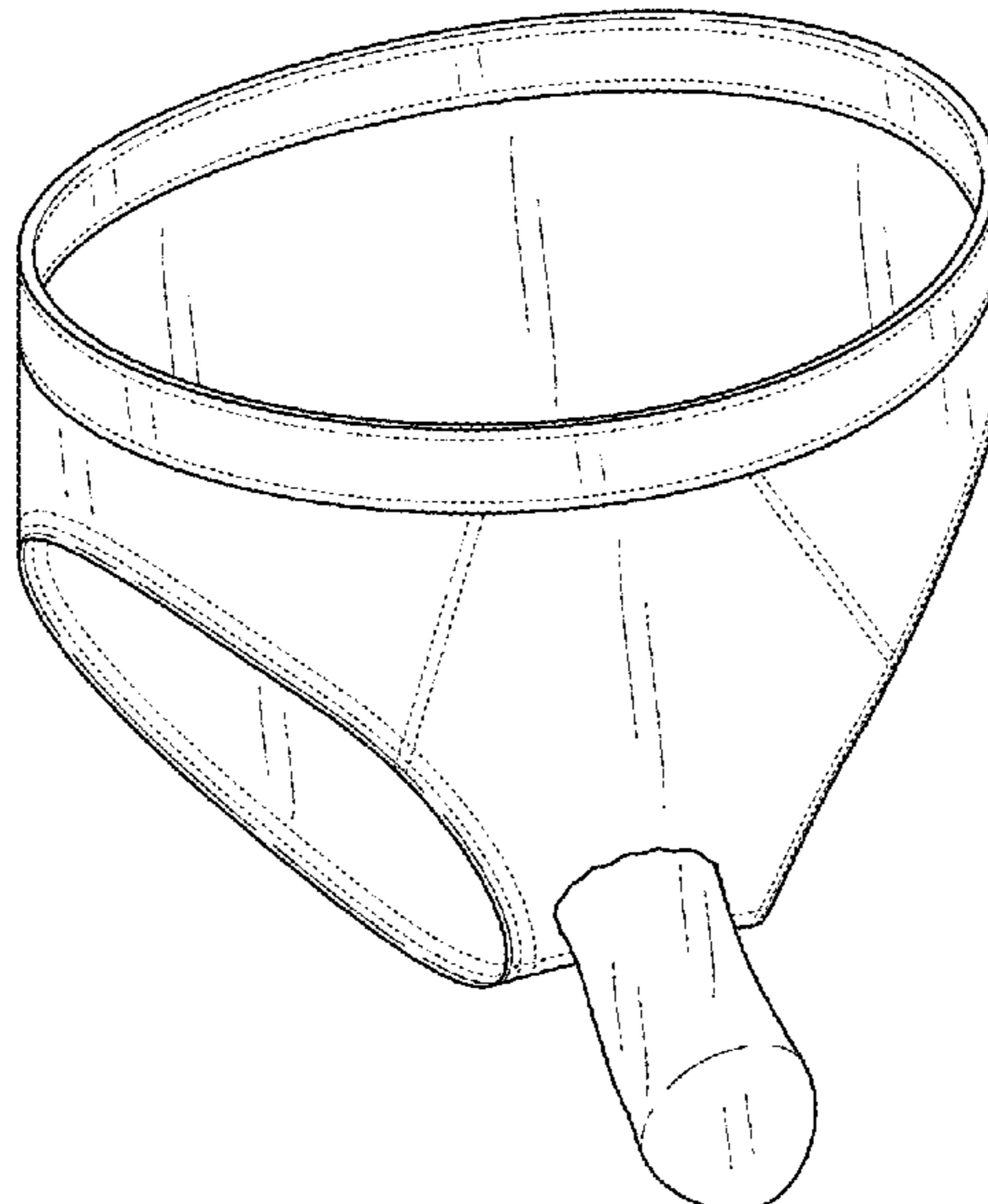
(57) **CLAIM**

The ornamental design for men's supported underwear, as shown and described.

DESCRIPTION

FIG. 1 is a front left perspective view of the men's supported underwear showing the new design;
FIG. 2 is a front elevational view of the men's supported underwear thereof;
FIG. 3 is a rear elevational view of the men's supported underwear thereof;
FIG. 4 is a left side elevational view of the men's supported underwear thereof;
FIG. 5 is a right side elevational view of the men's supported underwear thereof;
FIG. 6 is a top plan view of the men's supported underwear thereof; and,
FIG. 7 is a bottom plan view of the men's supported underwear thereof.
The broken lines in the drawings depict stitching and form no part of the claimed design.

1 Claim, 4 Drawing Sheets



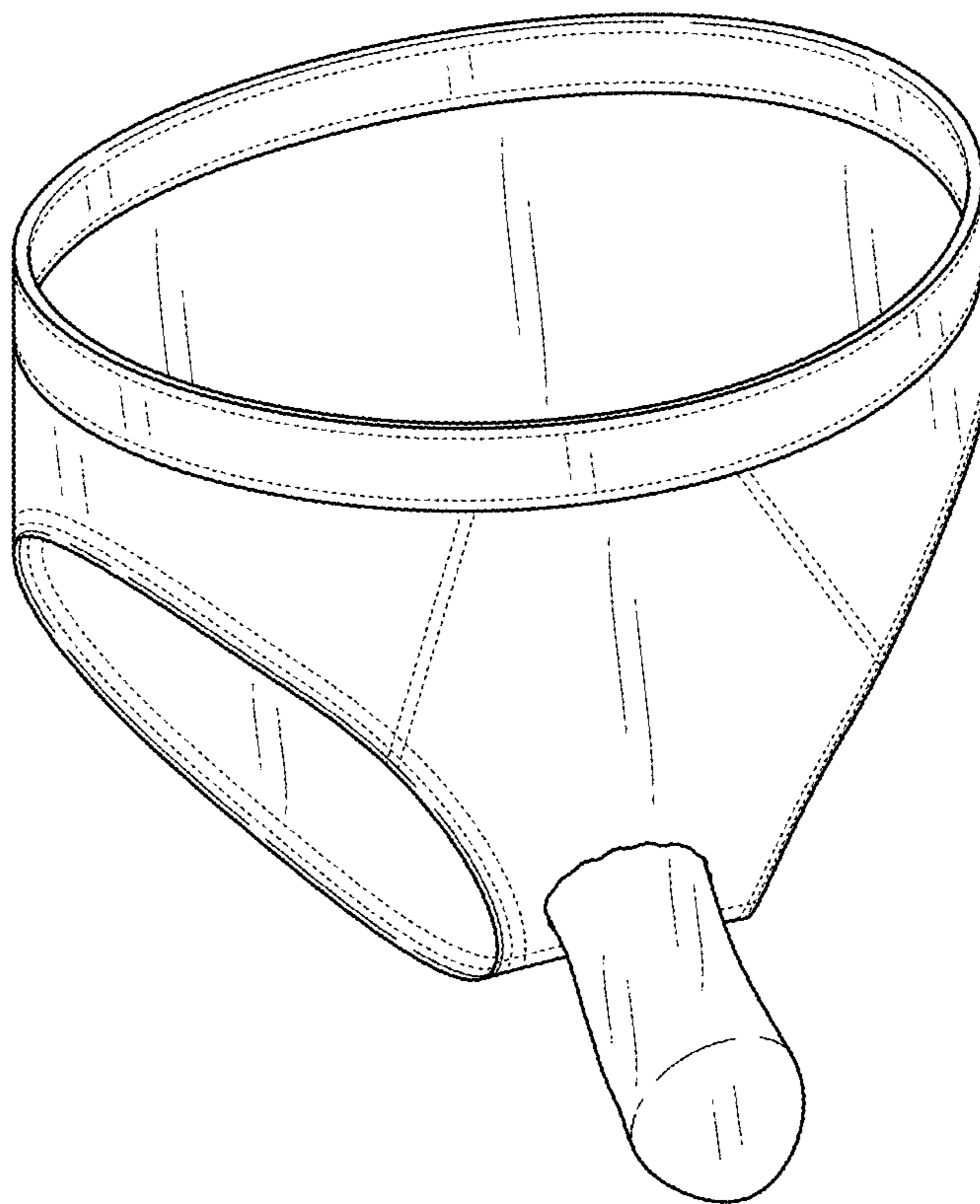


FIG. 1

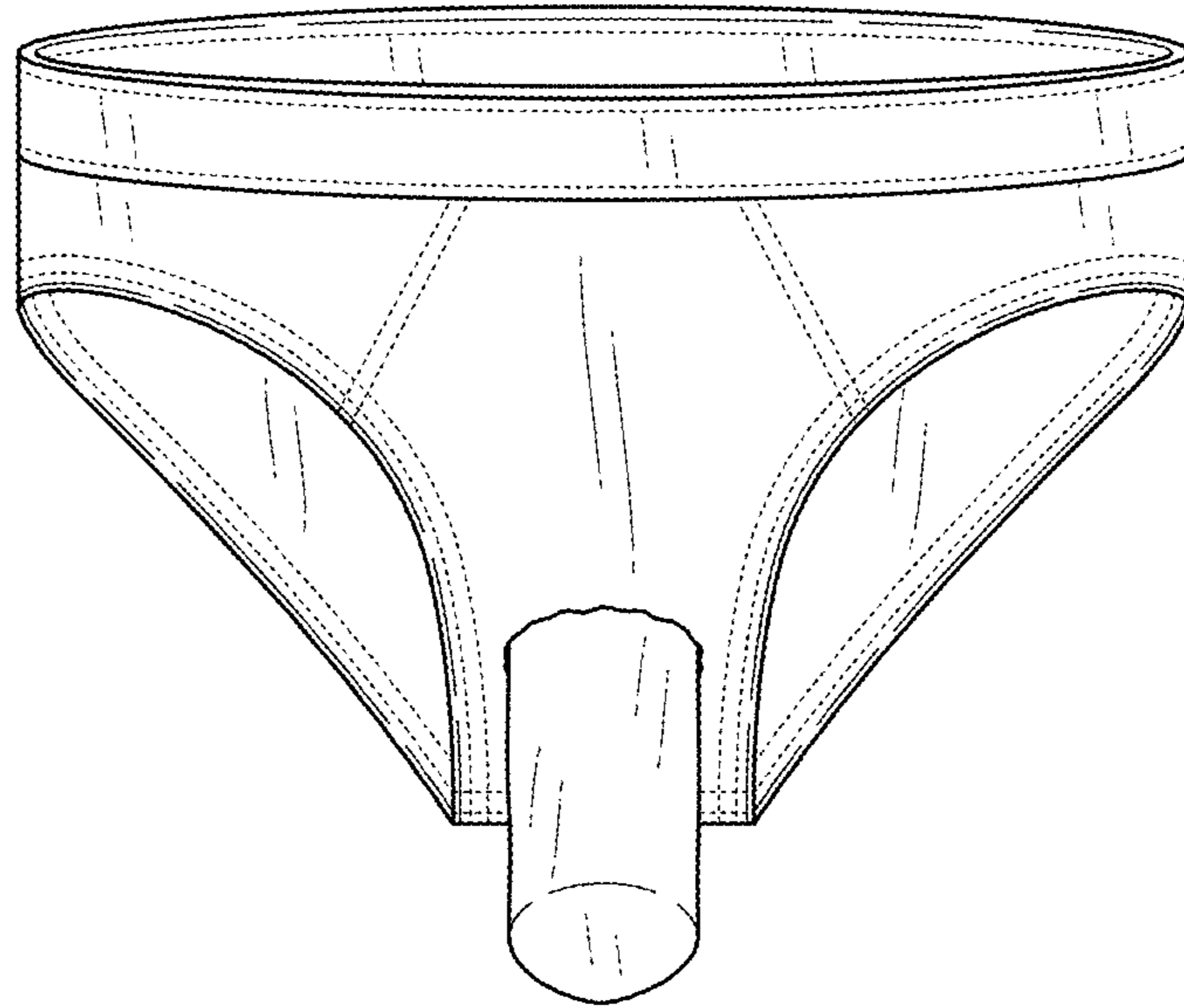


FIG. 2

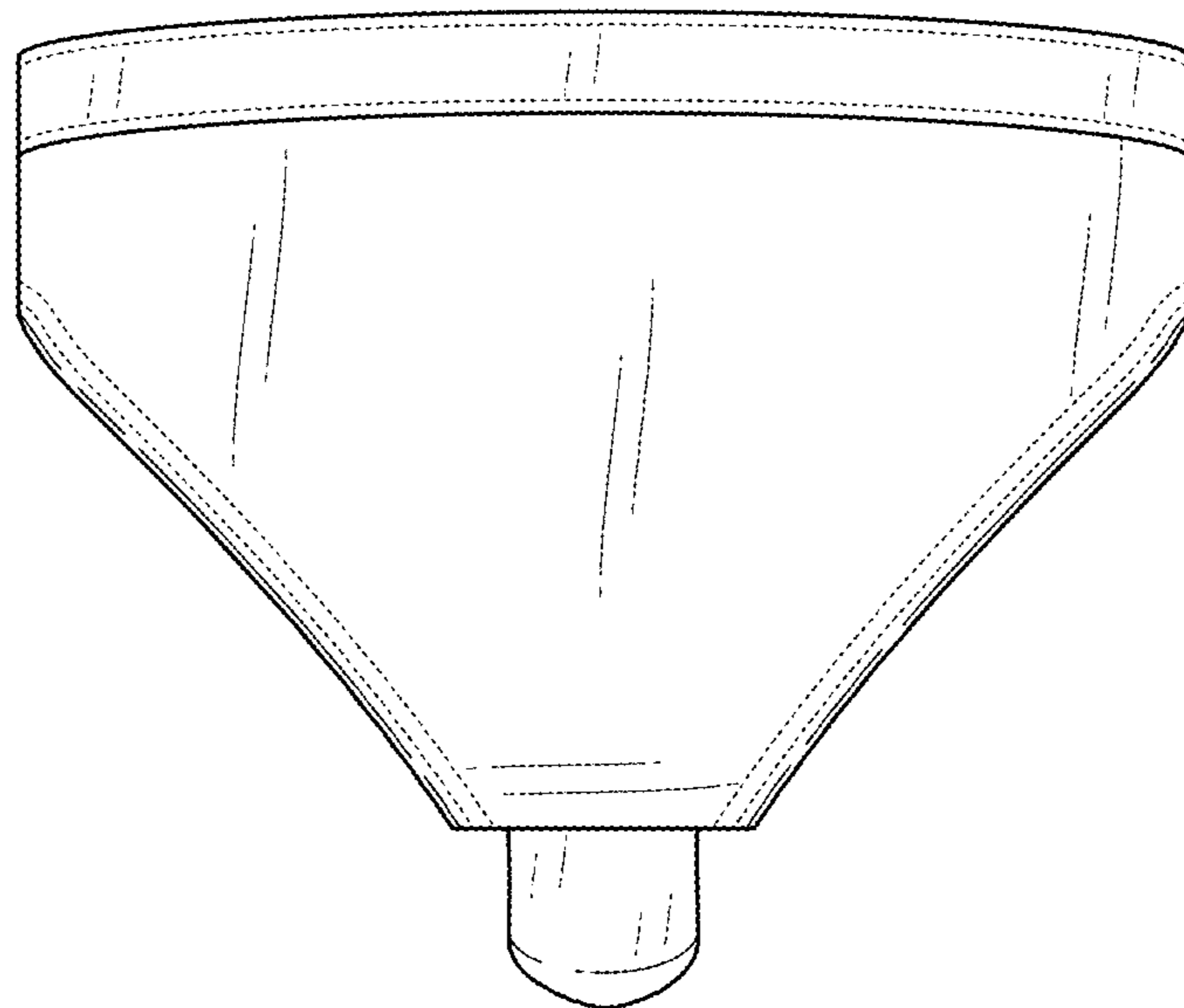


FIG. 3

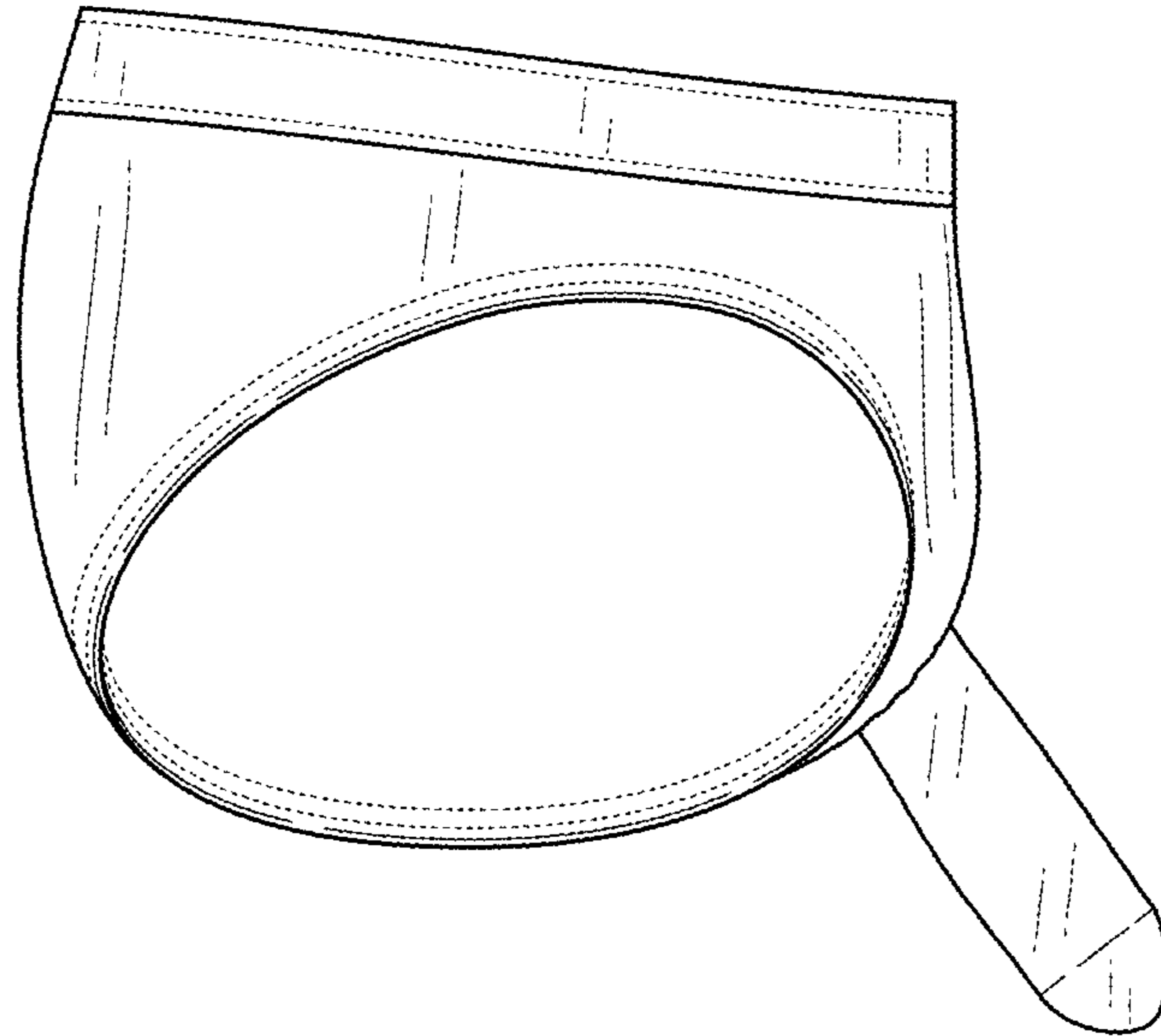


FIG. 4

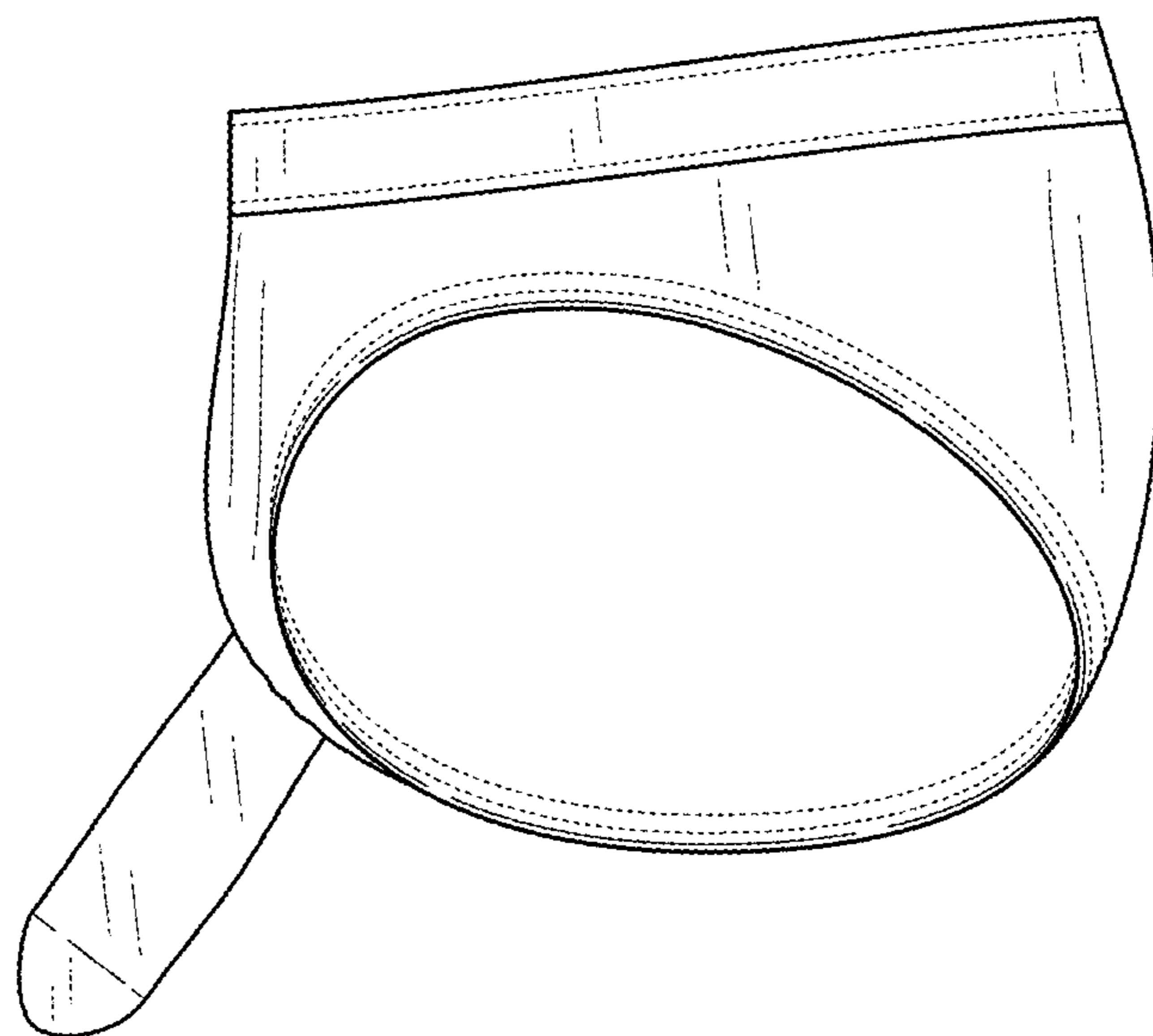


FIG. 5

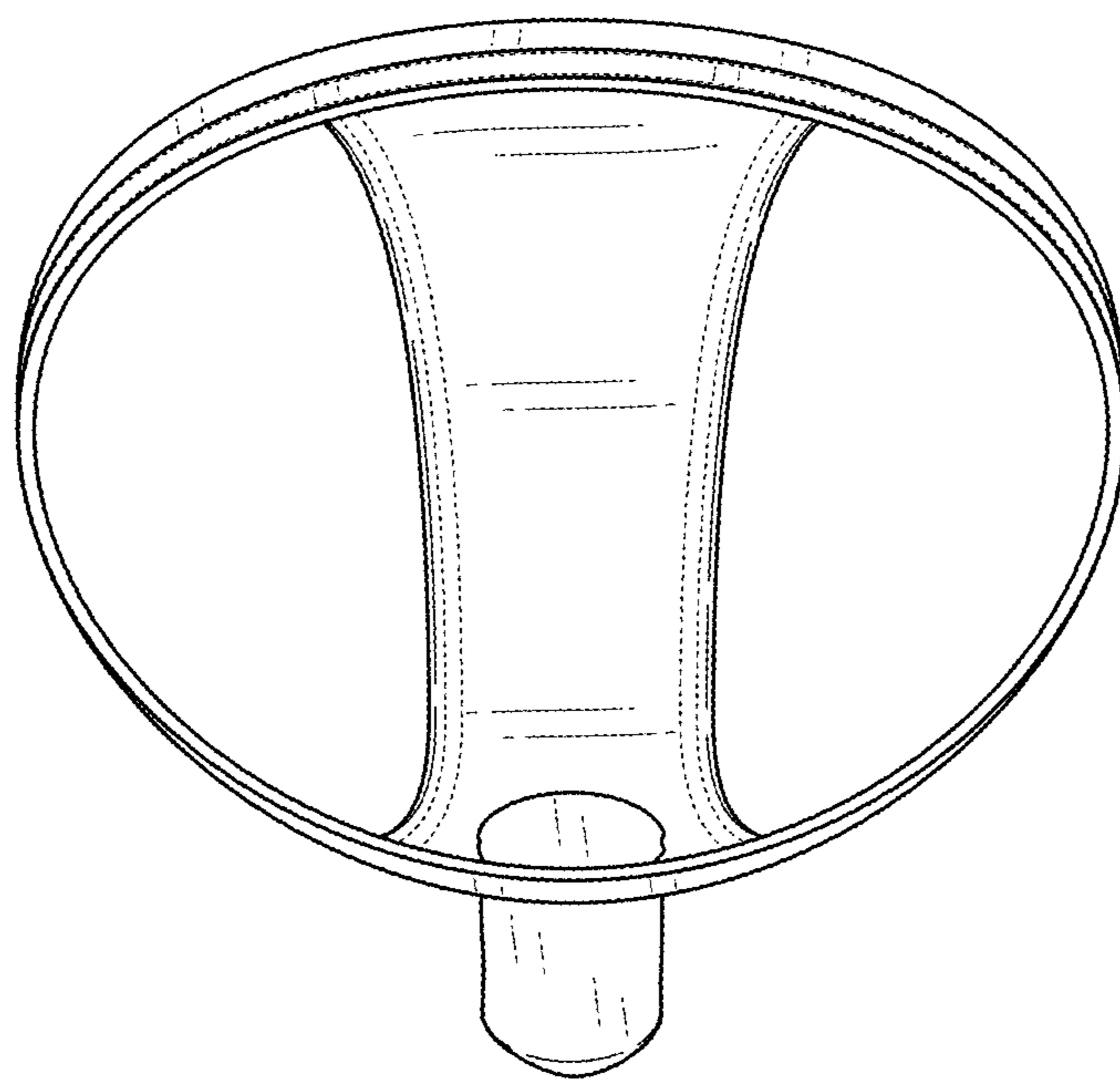


FIG. 6

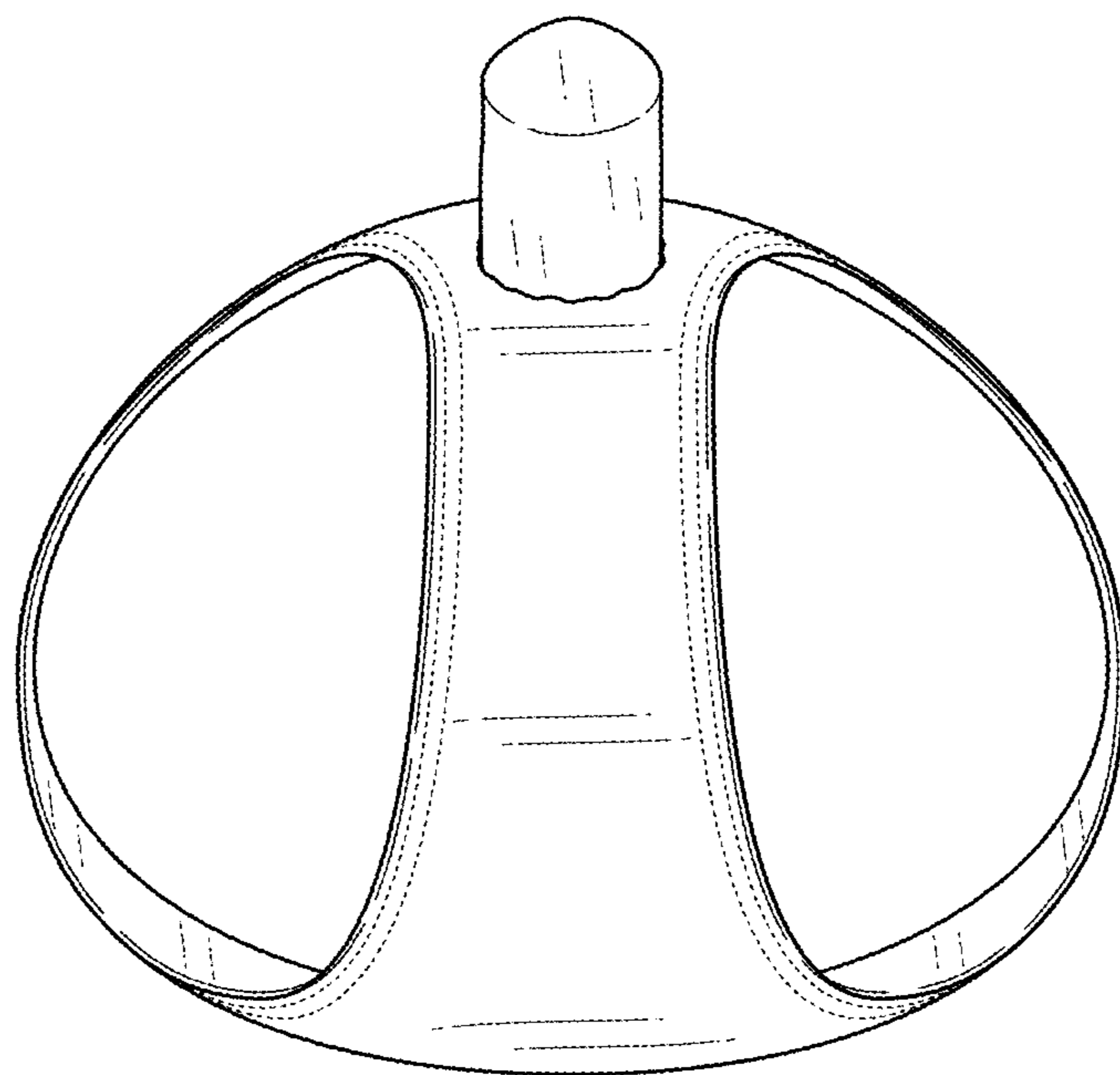


FIG. 7