



US00D903230S

(12) **United States Design Patent** (10) **Patent No.:** **US D903,230 S**
Evans (45) **Date of Patent:** **** Dec. 1, 2020**

(54) **FOOD PATTY**
(71) Applicant: **John Wade Evans**, New Braunfels, TX (US)
(72) Inventor: **John Wade Evans**, New Braunfels, TX (US)
(**) Term: **15 Years**
(21) Appl. No.: **29/701,159**
(22) Filed: **Aug. 8, 2019**
(51) **LOC (12) Cl.** **01-01**
(52) **U.S. Cl.**
USPC **D1/130; D1/127**
(58) **Field of Classification Search**
USPC D1/100-130, 199; 426/5, 76, 87, 92, 94, 426/95, 99, 101, 103, 108, 138-139, 143, 426/144, 279, 282, 283, 391, 514, 549, 426/660, 72, 582; D13/100; D24/101-104; D28/8.1; 424/438, 440, 424/464, 470-472; 425/195; 34/296; D6/601; D10/108
CPC B26D 3/11; A47J 37/043; A47J 37/049; A47J 43/18; A22C 17/006; A22C 13/0013; A23L 1/164; A23L 1/005; A23B 4/10; B65D 81/343
See application file for complete search history.

3,279,995 A * 10/1966 Reid C05G 3/44 424/467
D258,091 S * 1/1981 Reed D1/122
D396,537 S * 8/1998 Stanton D1/127
D447,835 S * 9/2001 Whitaker D1/130
D469,239 S * 1/2003 Hodgdon D1/130
D485,962 S * 2/2004 Norton D1/127
D506,545 S * 6/2005 McAllister D24/104
D516,714 S * 3/2006 McAllister D24/104
D553,414 S * 10/2007 Boutin D6/601
D576,776 S * 9/2008 Klacik D1/127
D759,322 S * 6/2016 Raines D30/160
D771,236 S * 11/2016 Becker D24/101
D819,624 S * 6/2018 Lee D14/258
D887,668 S * 6/2020 Wolfe, Jr. D1/113

* cited by examiner

Primary Examiner — Katie Jane Stofko
(74) *Attorney, Agent, or Firm* — Taboada Law Firm, PLLC; John M. Taboada

(57) **CLAIM**

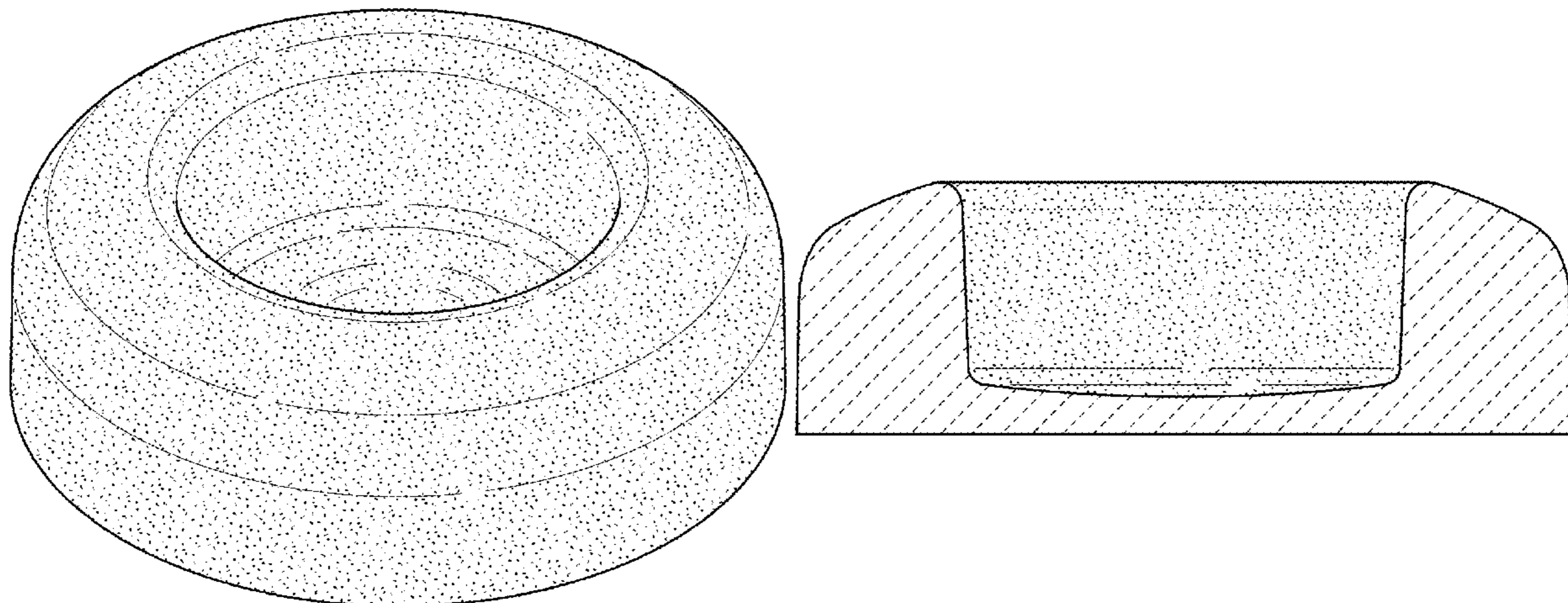
The ornamental design for a food patty, as shown and described.

DESCRIPTION

FIG. 1 is a top perspective view of the food patty according to the present invention;
FIG. 2 is a bottom perspective view of the food patty of FIG. 1;
FIG. 3 is a side elevational view of the food patty of FIG. 1, views from other sides being the same, the food patty being rotationally symmetric;
FIG. 4 is a cross-sectional view of the food patty taken in the direction of line 4-4 in FIG. 3;
FIG. 5 is a top plan view of the food patty of FIG. 1; and, FIG. 6 is a bottom plan view of the food patty of FIG. 1. The stipple shading in the drawings indicates that surfaces have a texture but does not represent any particular texture.

1 Claim, 4 Drawing Sheets

(56) **References Cited**
U.S. PATENT DOCUMENTS
1,243,501 A * 10/1917 Fraser A61K 9/209 424/467
D51,707 S * 1/1918 Morton D1/106
1,587,279 A * 6/1926 Burgher C11D 17/00 510/148
3,048,526 A * 8/1962 Boswell A61K 9/2072 424/472



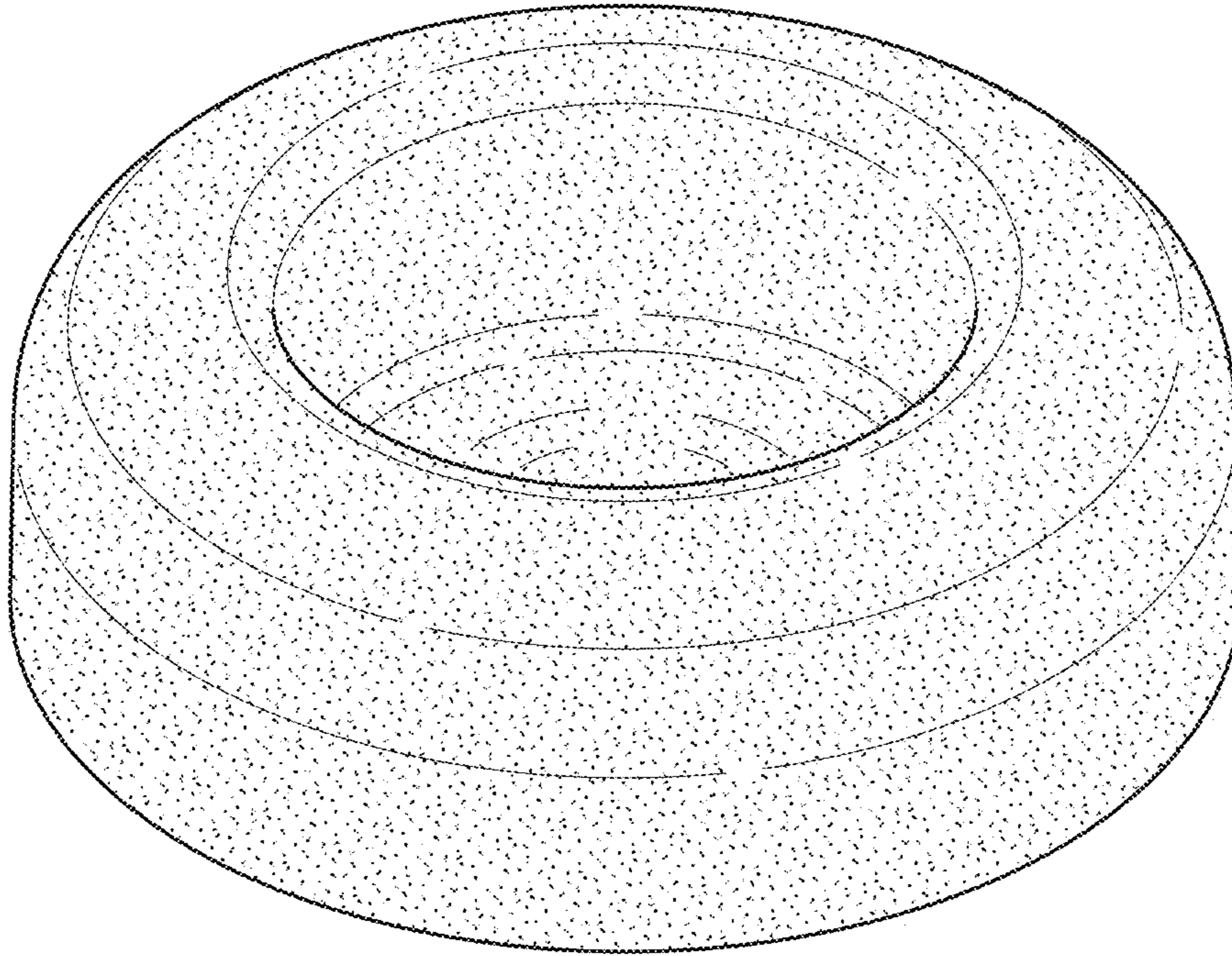


FIG. 1

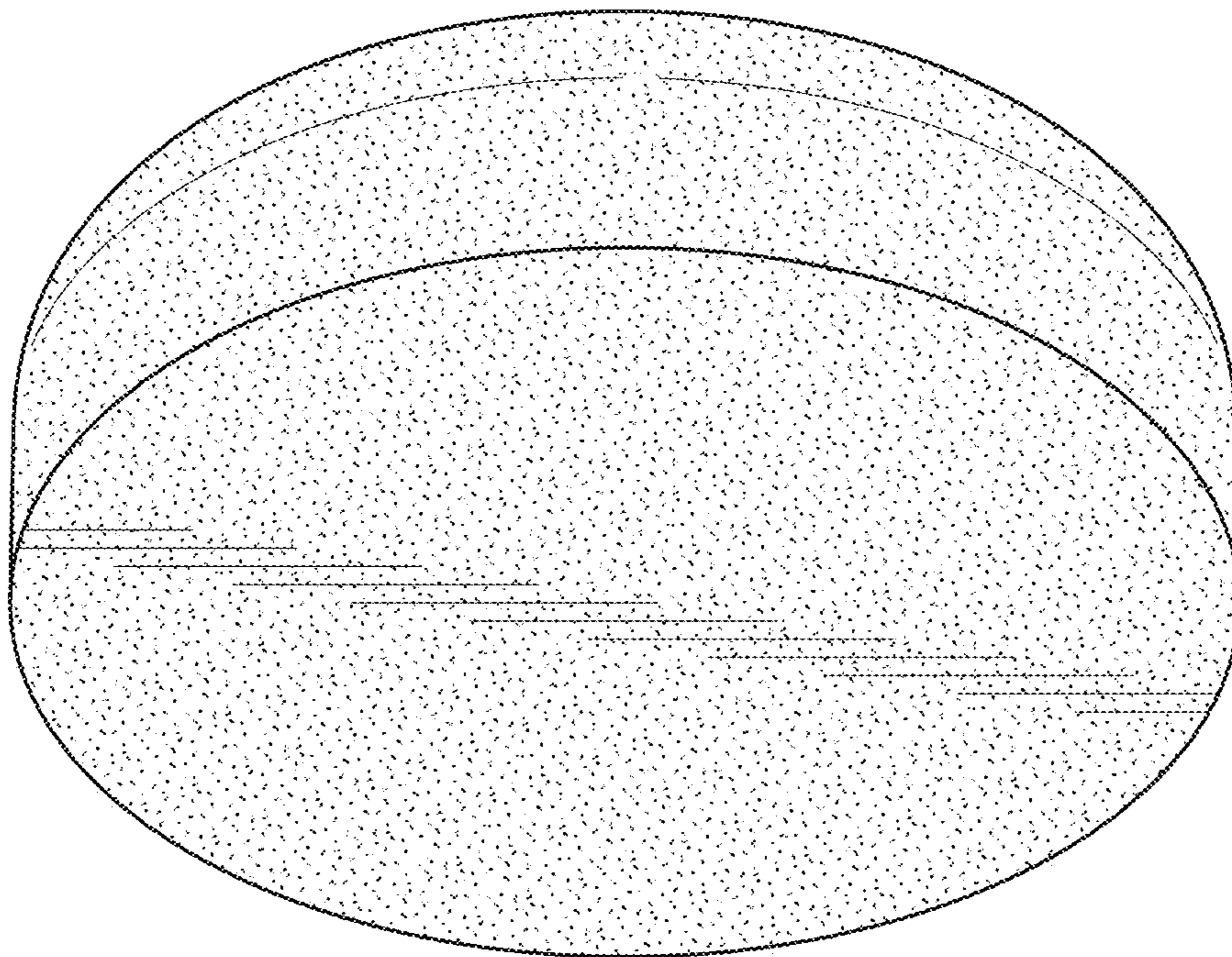


FIG. 2

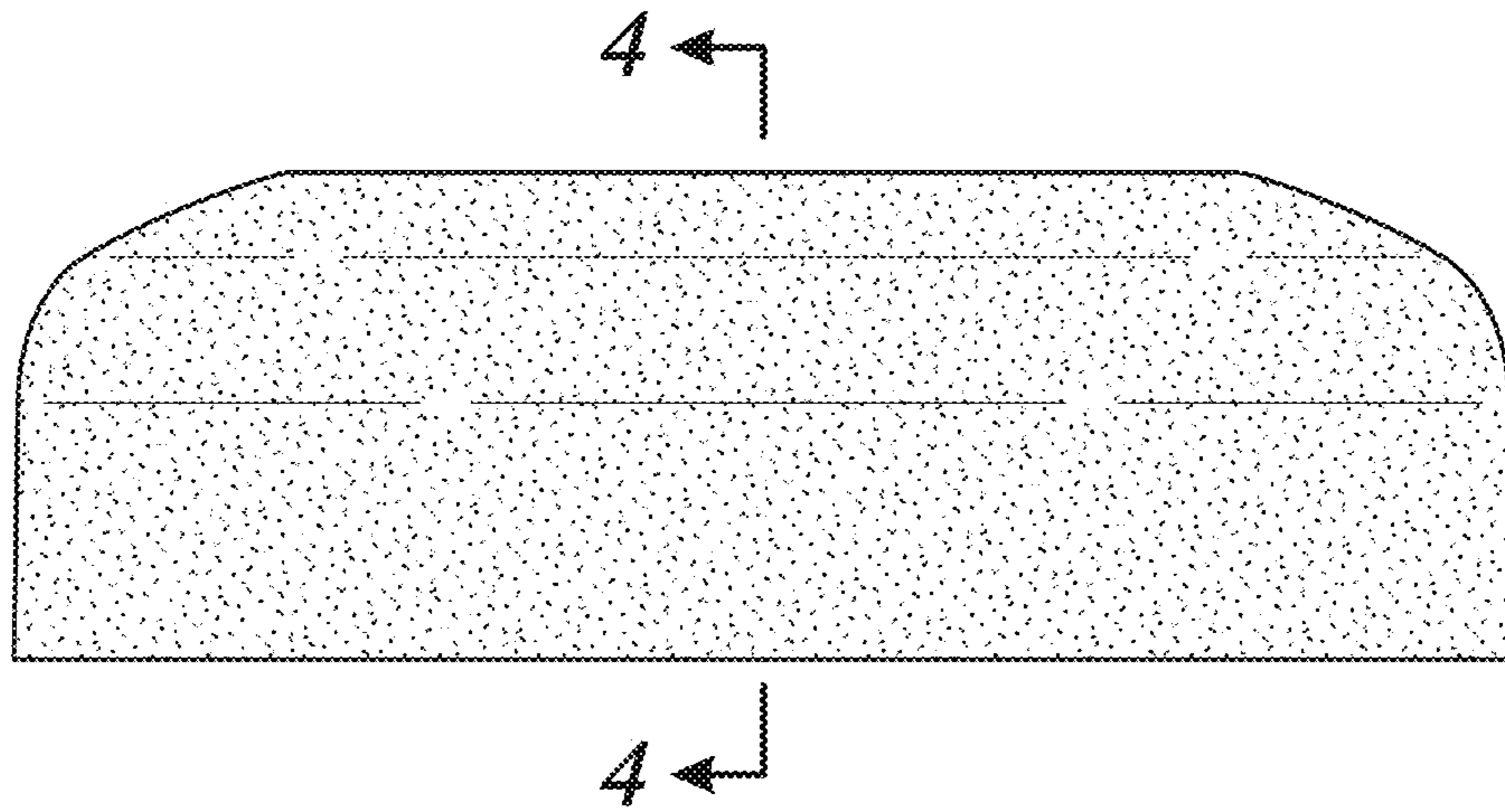


FIG. 3

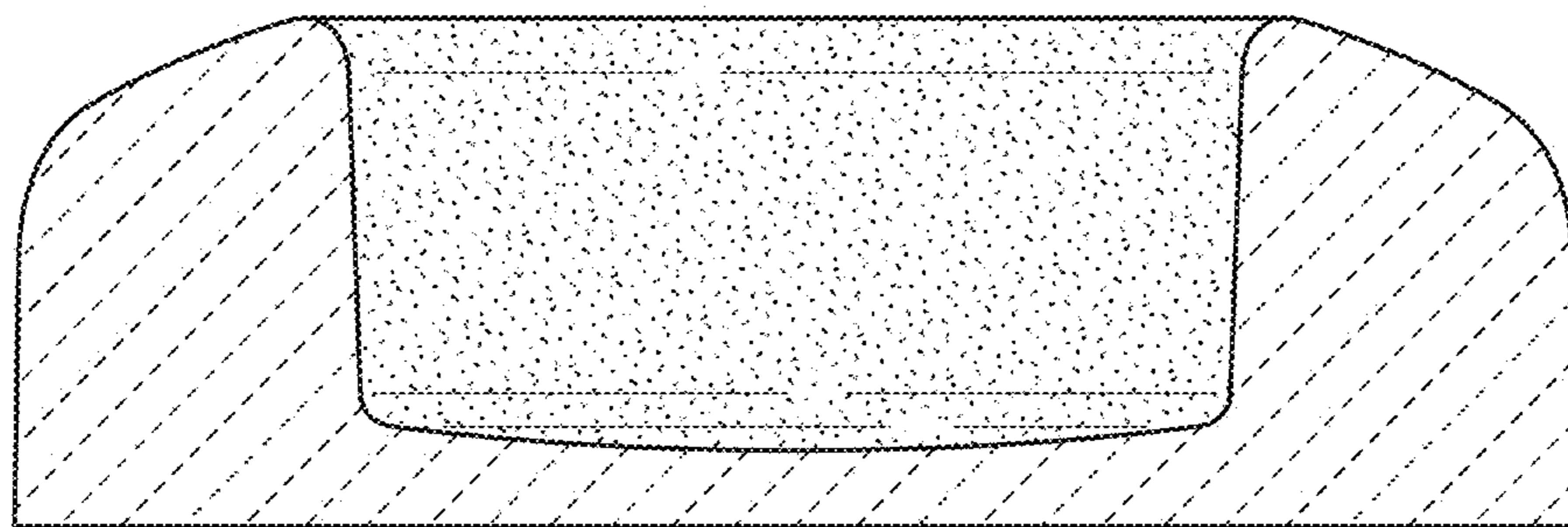


FIG. 4

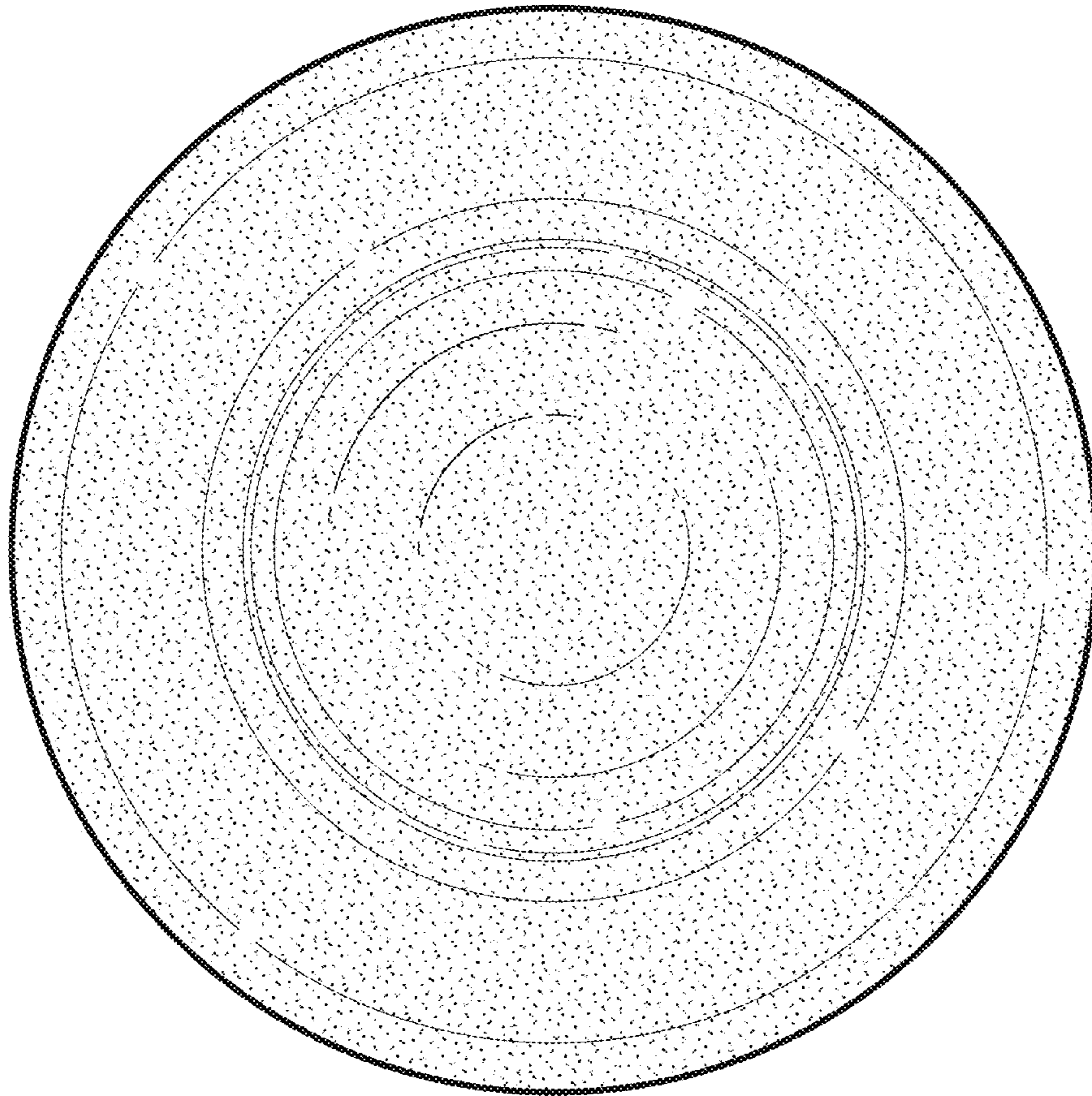


FIG. 5

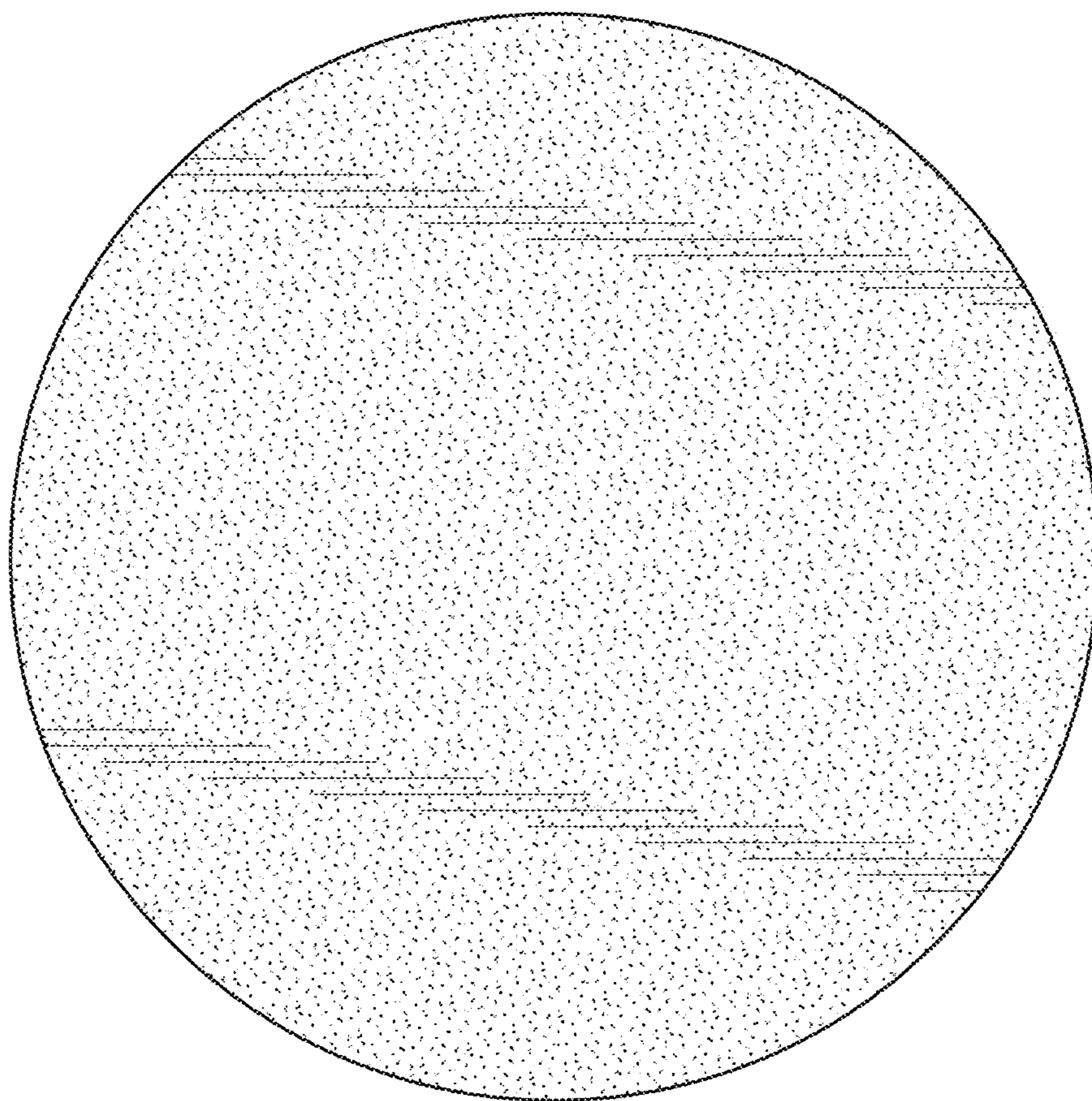


FIG. 6