



US00D903227S

(12) **United States Design Patent** (10) **Patent No.:** **US D903,227 S**
Baikie (45) **Date of Patent:** **** Dec. 1, 2020**

(54) **TOOTHBRUSH SHAPED PET TREAT**
(71) Applicant: **POLYSHOT CORPORATION**, West
Henrietta, NY (US)
(72) Inventor: **Jeffrey Baikie**, Seal Beach, CA (US)
(73) Assignee: **POLYSHOT CORPORATION**, West
Henrietta, NY (US)

D499,226 S 12/2004 Axelrod
D503,998 S 4/2005 Axelrod
D531,365 S 10/2006 Axelrod
D531,383 S 11/2006 Dettmer et al.
D584,476 S * 1/2009 Caudill D1/125
7,490,579 B2 2/2009 Axelrod
D587,428 S 3/2009 Torney et al.
7,497,189 B2 3/2009 Torney et al.
D590,127 S * 4/2009 Caudill D1/125
D603,127 S 11/2009 Townsend et al.
7,947,894 B2 5/2011 Nakata

(**) Term: **15 Years**

(Continued)

(21) Appl. No.: **29/703,225**

FOREIGN PATENT DOCUMENTS

(22) Filed: **Aug. 26, 2019**

BE 893448 10/1982
JP 4869557 B2 2/2012
WO WO-03/088740 A1 10/2003

(51) **LOC (12) Cl.** **01-01**

(52) **U.S. Cl.**
USPC **D1/106**

OTHER PUBLICATIONS

(58) **Field of Classification Search**
USPC D1/100-130, 199; 426/5, 76, 87, 92, 94,
426/95, 99, 101, 103, 108, 138-139, 143,
426/144, 279, 282, 283, 391, 514, 549,
426/660; D13/100; D24/101-104;
D28/8.1; 424/467; 425/195; 34/296;
D6/601; D9/453
CPC .. A61K 9/2072; A61K 9/0004; A61K 9/2095;
A61K 9/209

U.S. Appl. No. 29/712,128, filed Nov. 5, 2019, Hepler, Douglas.

(Continued)

Primary Examiner — Katie Jane Stoffko
(74) *Attorney, Agent, or Firm* — Foley & Lardner LLP;
Sunit Talapatra

See application file for complete search history.

(57) **CLAIM**

The ornamental design for a toothbrush shaped pet treat, as shown and described.

(56) **References Cited**

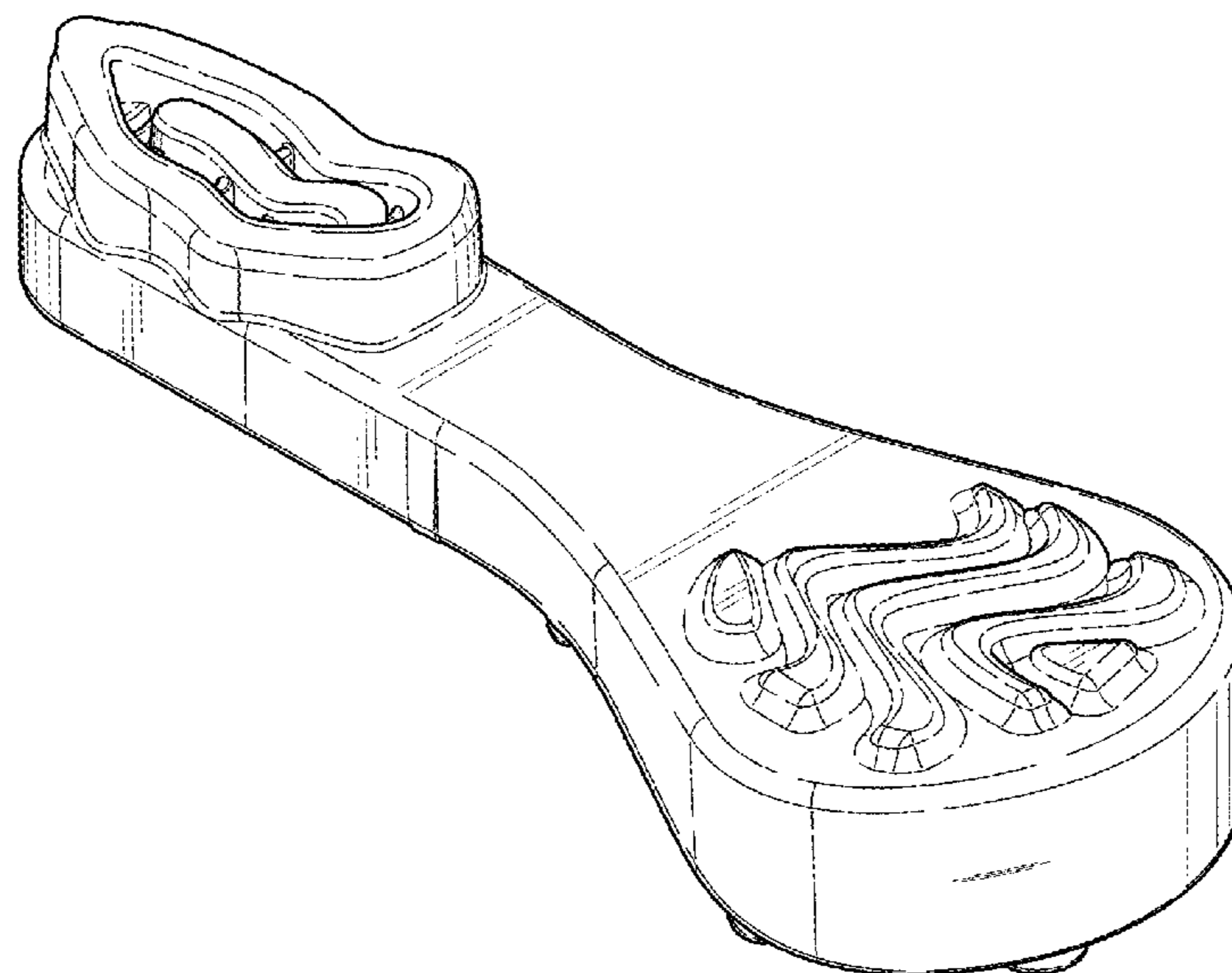
DESCRIPTION

U.S. PATENT DOCUMENTS

2,095,741 A 11/1935 Hachman
4,471,506 A 9/1984 Massari
5,200,212 A 4/1993 Axelrod
5,263,436 A 11/1993 Axelrod
5,675,859 A 10/1997 Barre
D404,495 S * 1/1999 Chien D24/211
6,405,681 B1 6/2002 Ward
6,455,083 B1 9/2002 Wang
6,474,268 B1 11/2002 Suchowski et al.
D466,695 S * 12/2002 Chen D24/211
6,602,013 B2 8/2003 Clark

FIG. 1 is a perspective view of a toothbrush shaped pet treat showing my new design;
FIG. 2 is a front elevation view thereof;
FIG. 3 is a rear elevation view thereof;
FIG. 4 is a left side elevation view thereof;
FIG. 5 is a right side elevation view thereof;
FIG. 6 is a top plan view thereof; and,
FIG. 7 is a bottom plan view thereof.

1 Claim, 7 Drawing Sheets



(56)

References Cited

U.S. PATENT DOCUMENTS

8,367,144	B2	2/2013	Pater et al.	
D684,746	S *	6/2013	Pang	D1/106
D715,016	S	10/2014	Huang	
D740,518	S	10/2015	Axelrod et al.	
D745,241	S	12/2015	Doerr	
D747,067	S *	1/2016	Axelrod	D1/106
D822,339	S *	7/2018	Wilson	D1/199
D822,340	S *	7/2018	Wilson	D1/199
D849,355	S	5/2019	Guo et al.	
2007/0101946	A1	5/2007	Penny	
2008/0041320	A1 *	2/2008	Torney	A23K 40/20 119/709
2008/0201881	A1	8/2008	Dunn et al.	
2012/0279460	A1 *	11/2012	Pang	A01K 15/026 119/709

OTHER PUBLICATIONS

U.S. Appl. No. 35/001,421, filed Aug. 23, 2017, Hepler, Douglas.
“Fresh,” Rolls Rocky Natural Italian Treats for Your Pet, Website
Excerpt from <https://rollsrocky.com/en/prodotti/fresh/> (accessed Oct.
13, 2019).

* cited by examiner

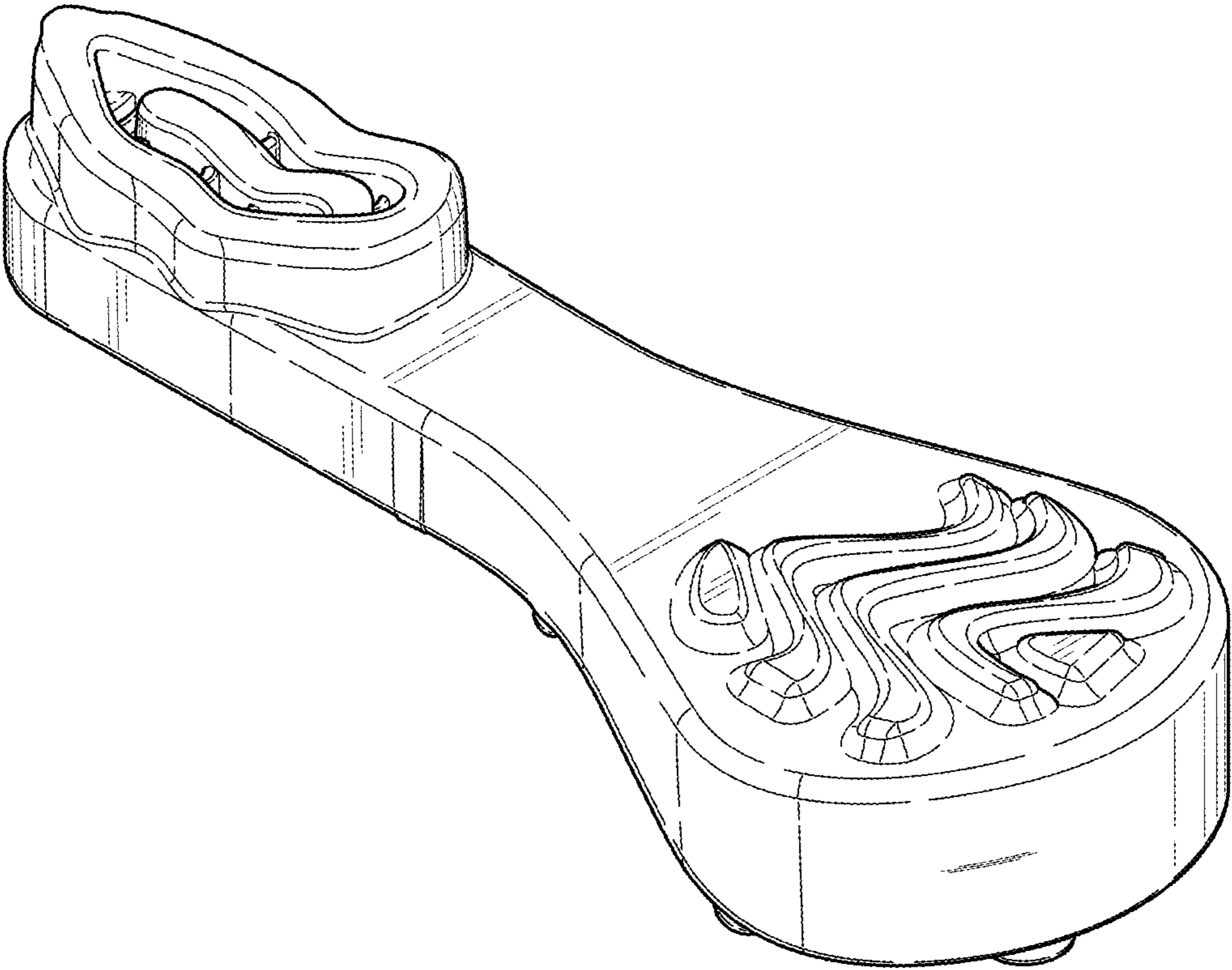


FIG. 1

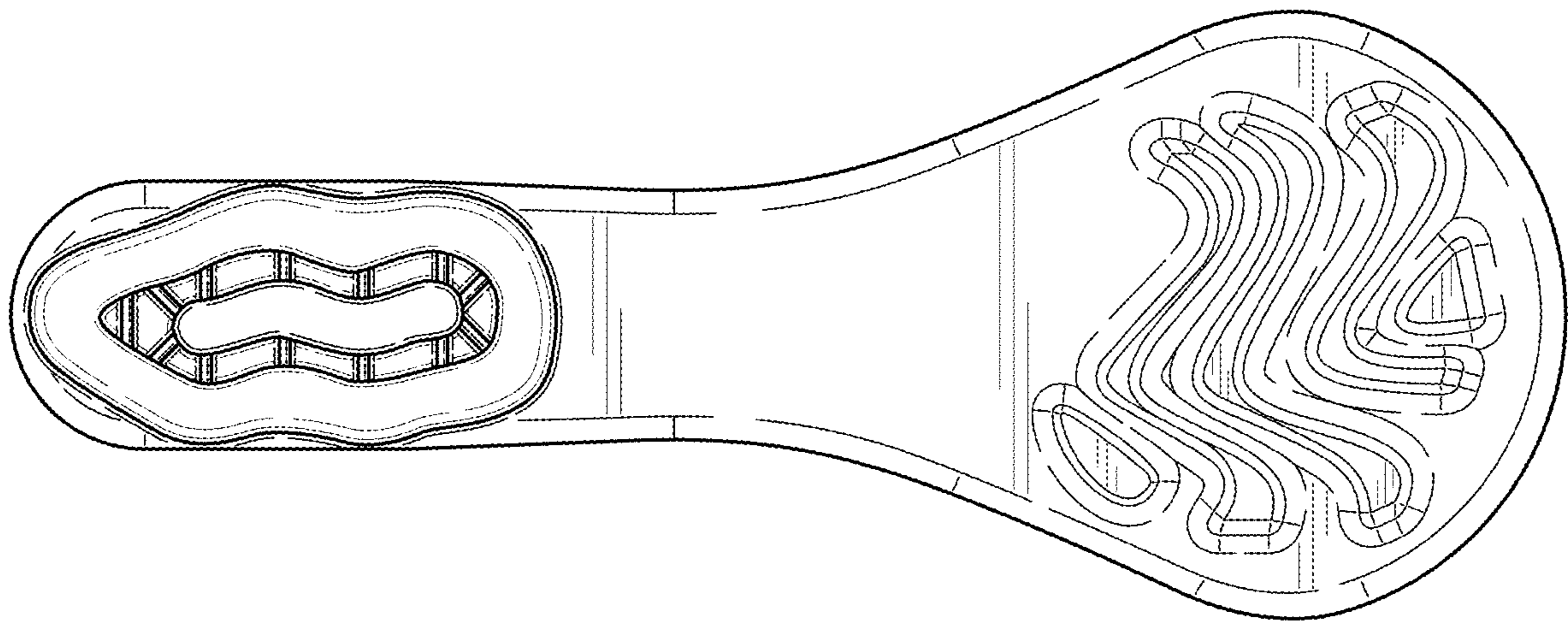


FIG. 2

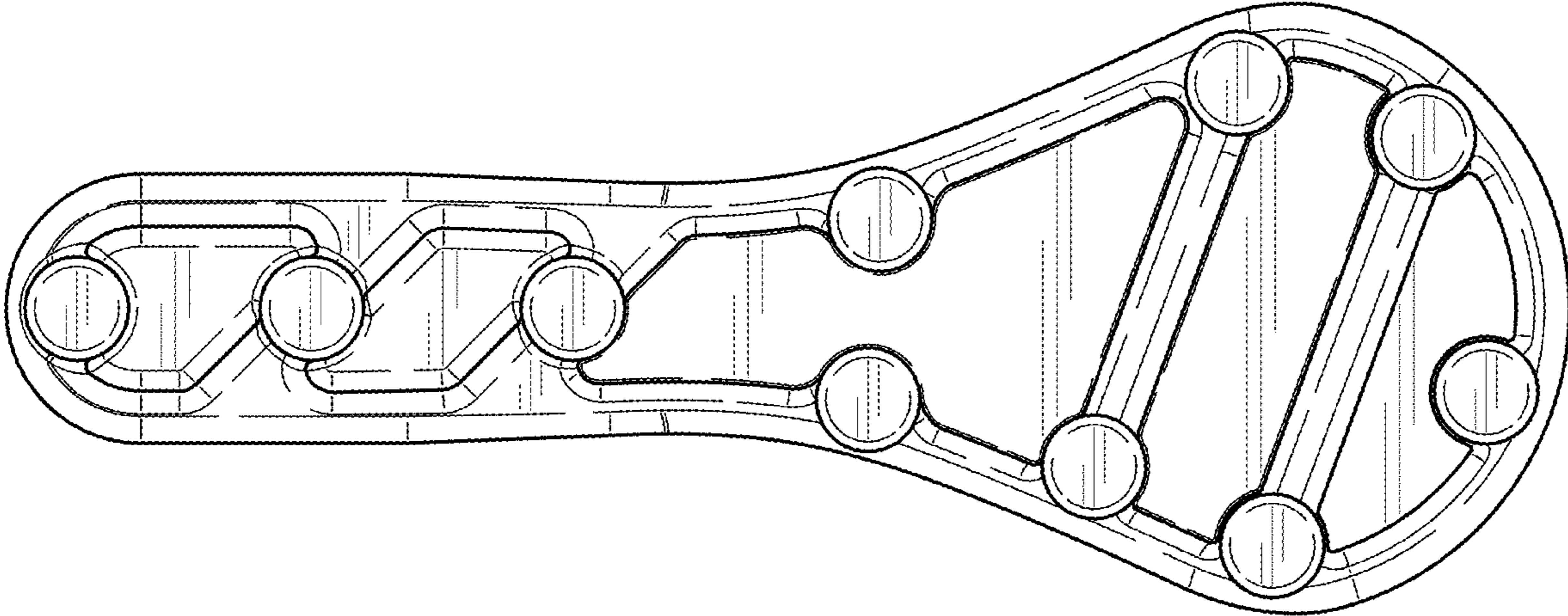


FIG. 3

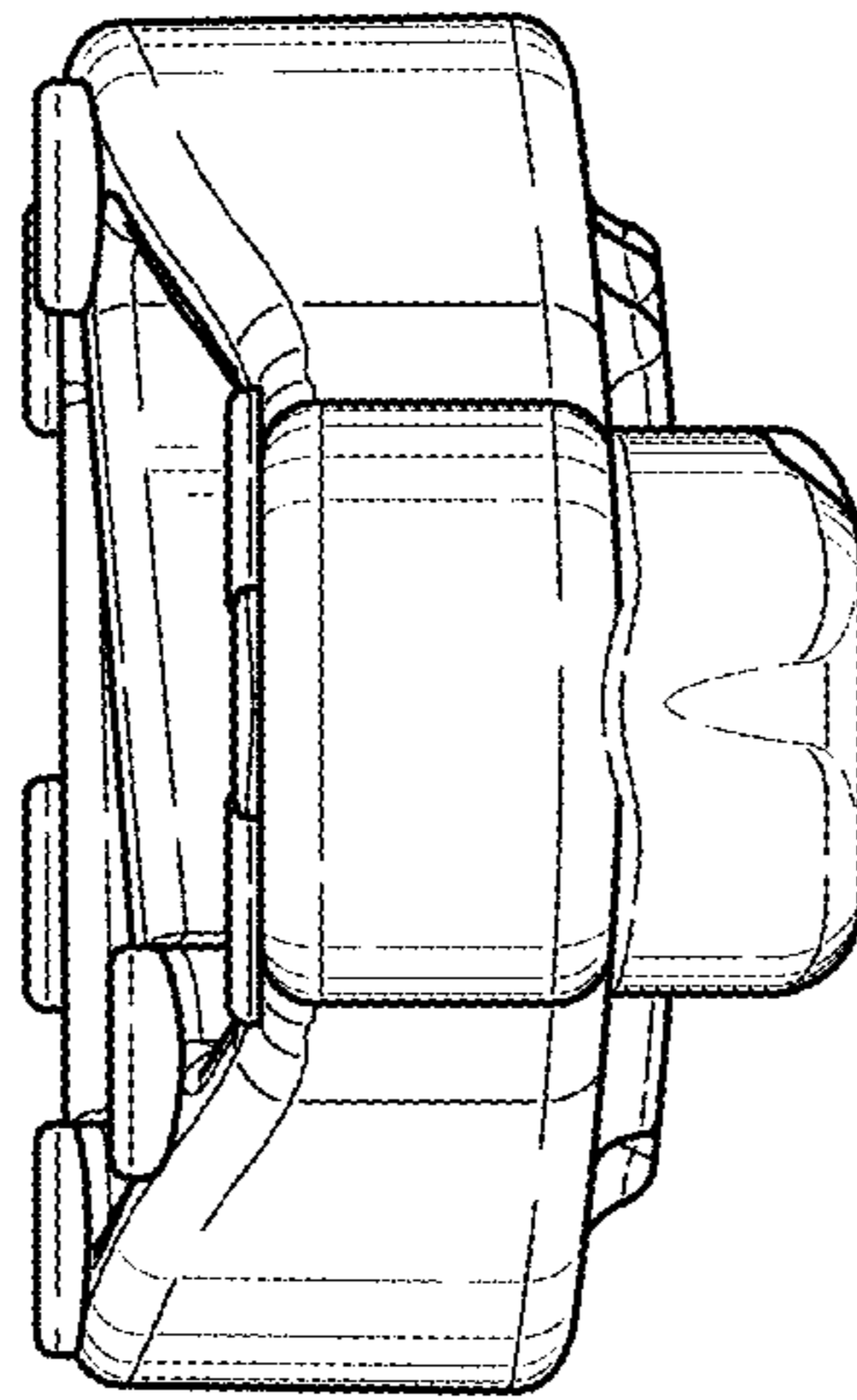


FIG. 4

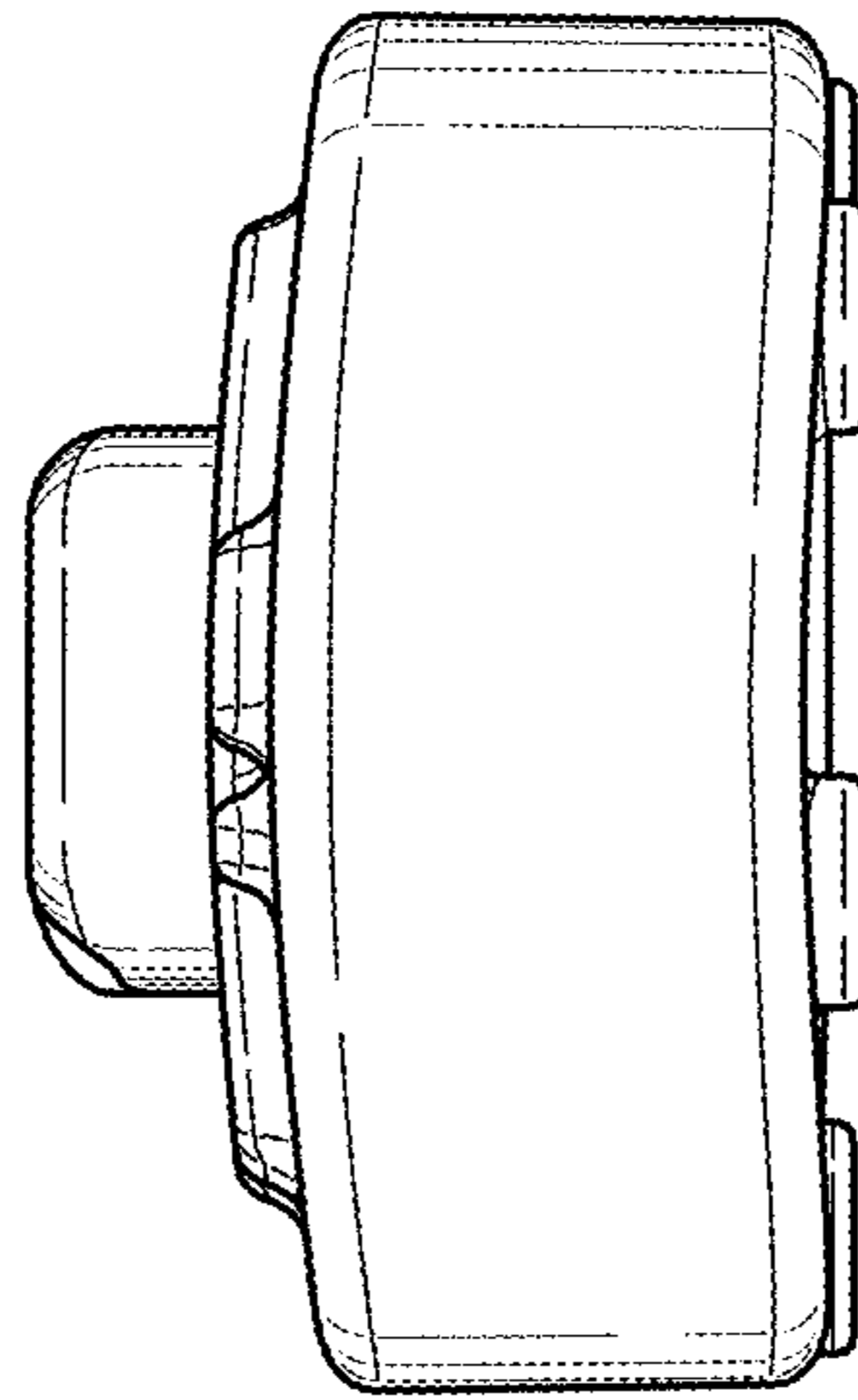


FIG. 5

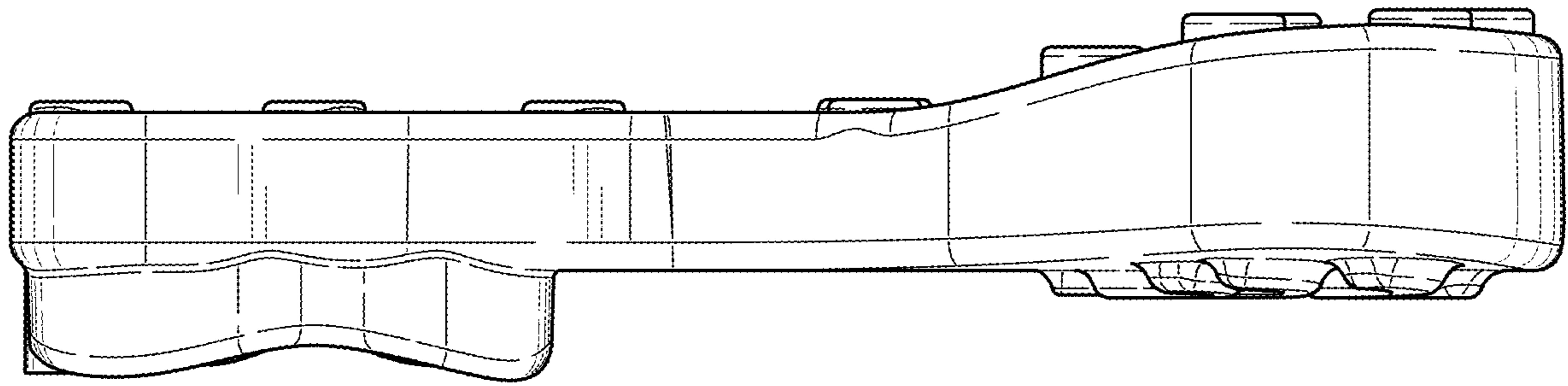


FIG. 6

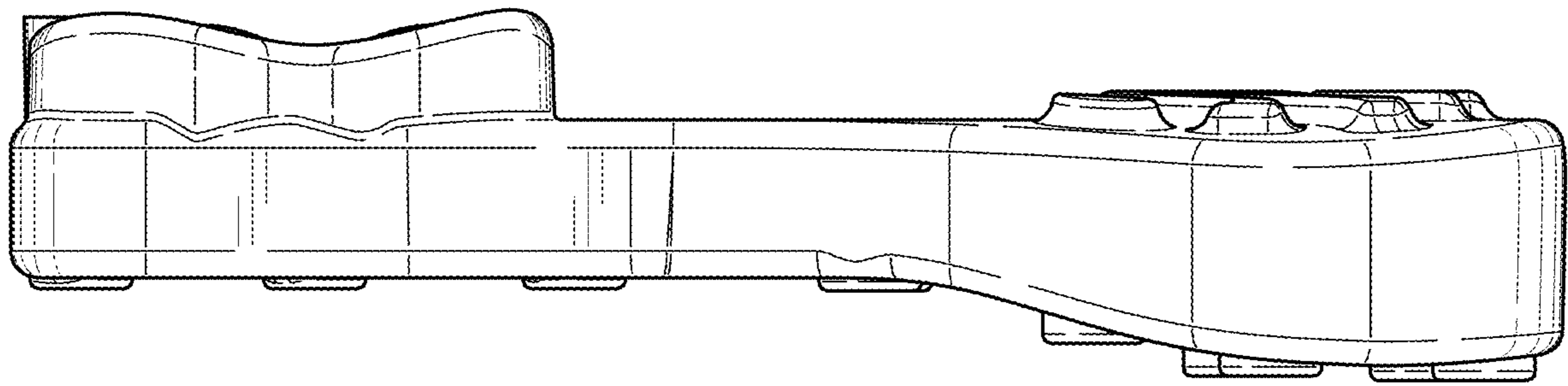


FIG. 7