



US00D903225S

(12) **United States Design Patent** (10) **Patent No.:** **US D903,225 S**
Hillary (45) **Date of Patent:** **** Nov. 24, 2020**

(54) **MAILBOX SHIELD**
(71) Applicant: **Gerard Patrick Hillary**, East Grand Rapids, MI (US)
(72) Inventor: **Gerard Patrick Hillary**, East Grand Rapids, MI (US)
(**) Term: **15 Years**
(21) Appl. No.: **29/670,938**
(22) Filed: **Nov. 20, 2018**
(51) **LOC (12) Cl.** **99-00**
(52) **U.S. Cl.**
USPC **D99/43**
(58) **Field of Classification Search**
USPC D99/28, 29, 30, 31, 32, 43, 99; 232/38, 232/39, 17; 404/6; 40/606.06, 606.01, 40/612; 160/351, 352, 135
CPC A47G 29/00; A47G 29/12; A47G 29/122; A47G 29/1216; G09F 15/00; G09F 15/0006; G09F 15/0037
See application file for complete search history.

D556,974 S * 12/2007 Speir D20/19
D556,975 S * 12/2007 Speir D20/19
7,353,985 B1 * 4/2008 Weatherholt, II
A47G 29/1216
232/39
D580,625 S * 11/2008 Ballok D20/41
7,611,043 B2 * 11/2009 Black A47G 29/1216
232/38
8,794,505 B1 * 8/2014 Richardson A47G 29/1203
232/39

(Continued)

Primary Examiner — Elizabeth J Oswecki
(74) *Attorney, Agent, or Firm* — Inventech Patent Services, LLC; Marc A. Scharich

(57) **CLAIM**

The ornamental design for a mailbox shield, as shown and described.

DESCRIPTION

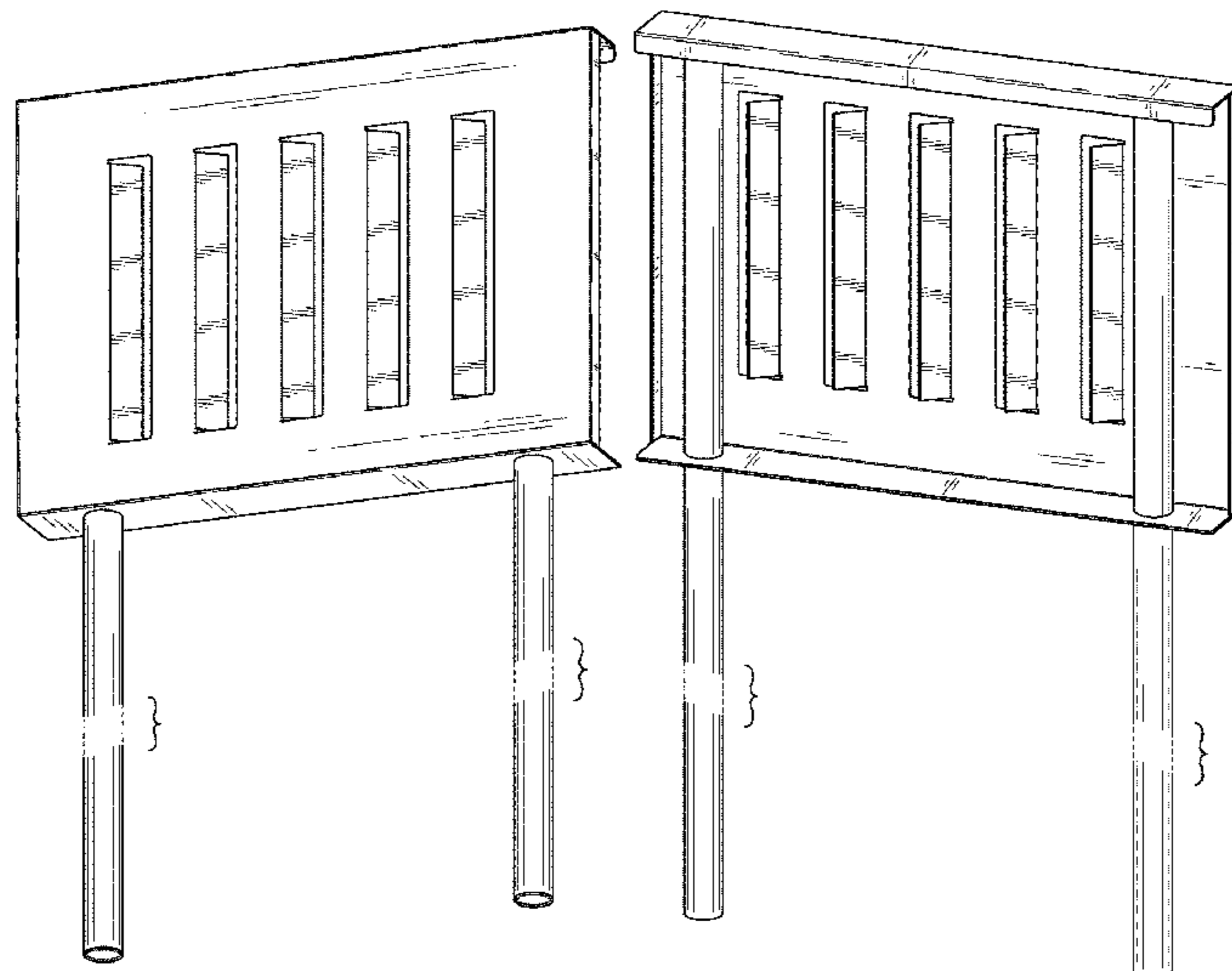
FIG. 1 is a perspective view of a mailbox shield, showing my new design;
FIG. 2 is another perspective view thereof;
FIG. 3 is another perspective view thereof;
FIG. 4 is a front elevational view thereof;
FIG. 5 is a rear elevational view thereof;
FIG. 6 is a first side elevational view thereof, shown adjacent to a mailbox in broken lines;
FIG. 7 is a second side elevational view thereof, shown adjacent to a mailbox in broken lines;
FIG. 8 is a top plan view thereof; and,
FIG. 9 is a bottom plan view thereof.
The even broken lines embraced by a bracket on the poles of the mailbox shield in FIGS. 1-7 are shown broken away to indicate that no particular length is claimed. The even broken lines showing a mailbox in FIGS. 6 and 7 are included for the purpose of illustrating environment, and form no part of the claimed design.

(56) **References Cited**

U.S. PATENT DOCUMENTS

4,813,595 A * 3/1989 Johns, Jr. A47G 29/1209
232/17
D305,824 S * 1/1990 Carter D99/29
5,106,016 A * 4/1992 Beckmann A47G 29/1209
232/17
5,178,321 A * 1/1993 Majewski A47G 29/1209
232/17
D350,008 S * 8/1994 Gaudet, Sr. D99/99
D354,837 S * 1/1995 Owens D99/99
D365,190 S * 12/1995 Albanesi D99/43
D385,676 S * 10/1997 Childress D99/29
5,984,172 A * 11/1999 Easterwood A47G 29/1209
150/154
6,962,460 B1 11/2005 Pratt
6,974,073 B1 * 12/2005 Snyder A47G 29/1203
232/1 C
7,080,773 B1 7/2006 Tepley

1 Claim, 8 Drawing Sheets



(56)

References Cited

U.S. PATENT DOCUMENTS

8,925,225	B2	1/2015	Fiore	
D767,240	S *	9/2016	Baruck	D99/43
9,549,632	B2 *	1/2017	Pickens	A47G 29/122
D789,024	S *	6/2017	Baruck	D99/43
9,980,593	B2 *	5/2018	Pajonas	A47G 29/1209
10,022,007	B1 *	7/2018	Lucero	G09F 23/00
2006/0137230	A1 *	6/2006	Speir	G09F 1/00
				40/124.14
2006/0186188	A1 *	8/2006	Belanger	A47G 29/1209
				232/38

* cited by examiner

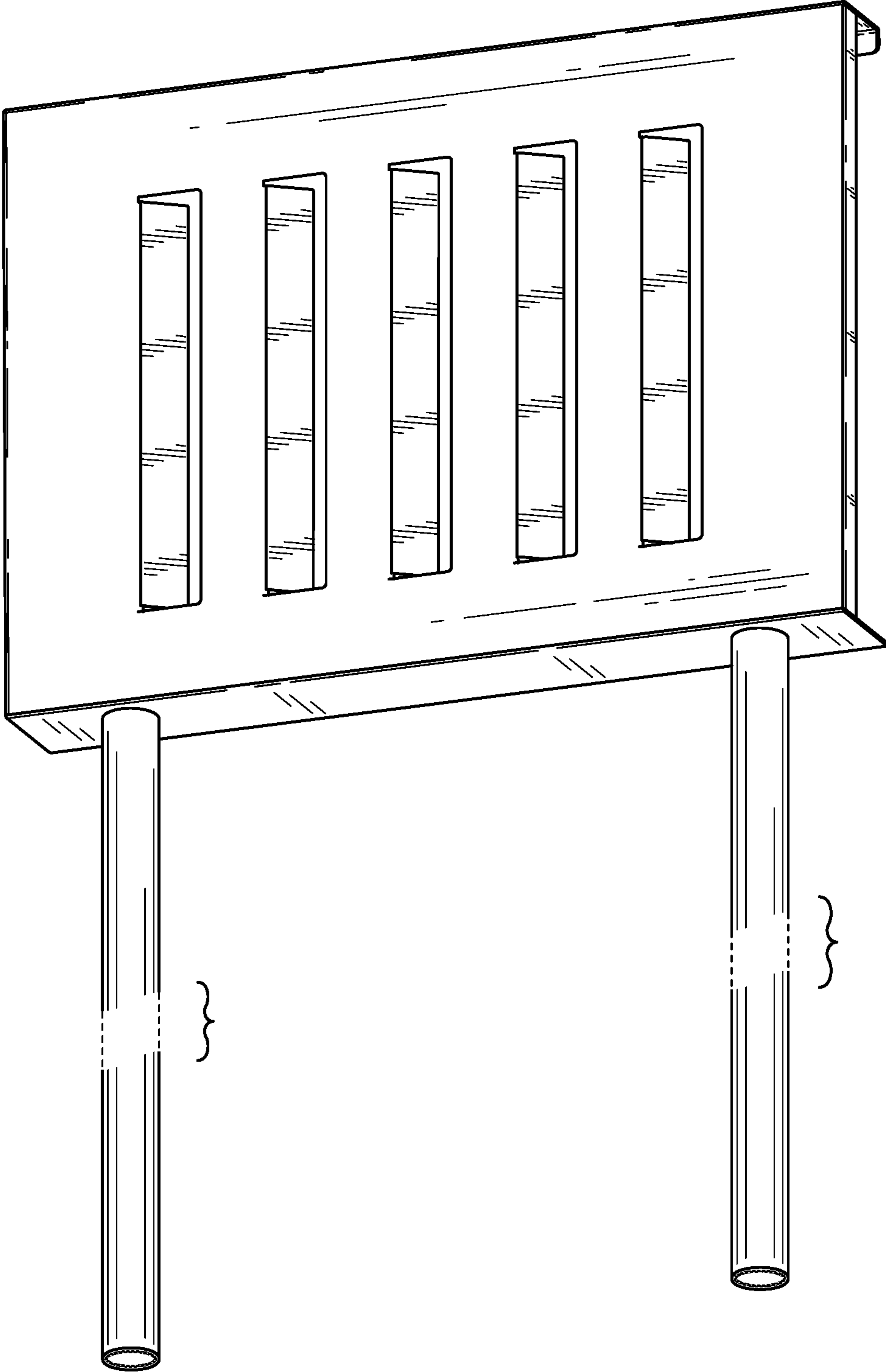


FIG. 1

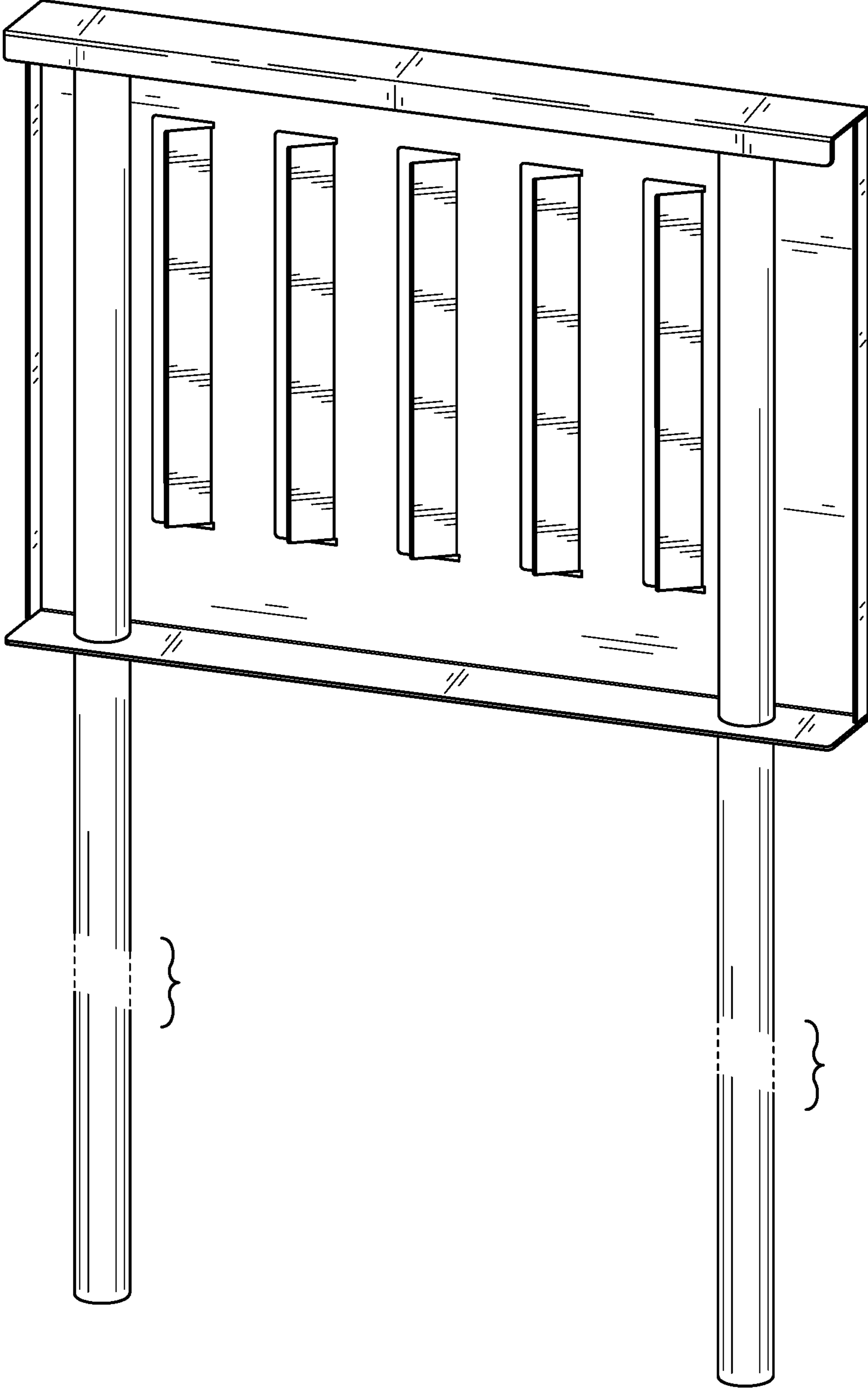


FIG. 2

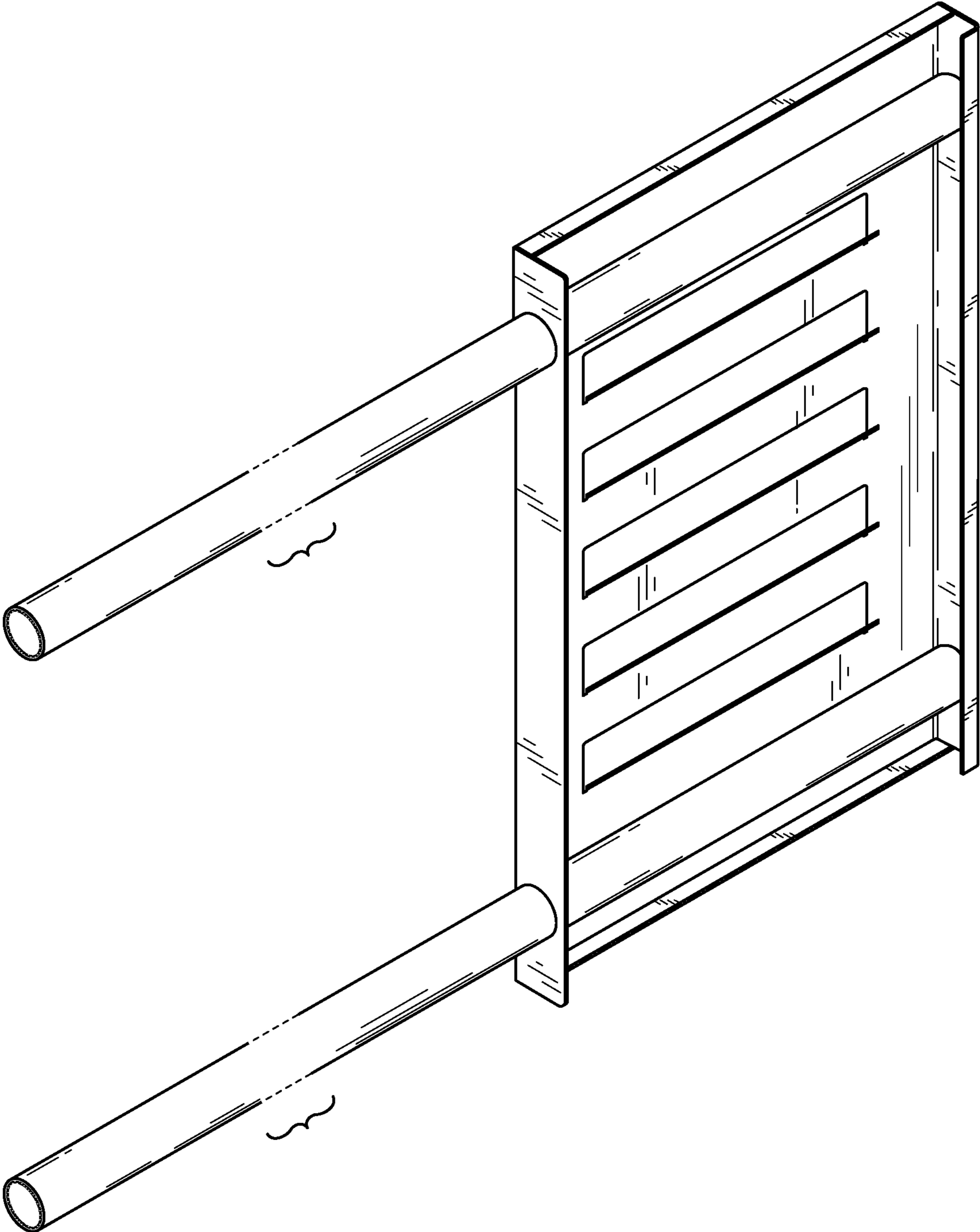


FIG. 3

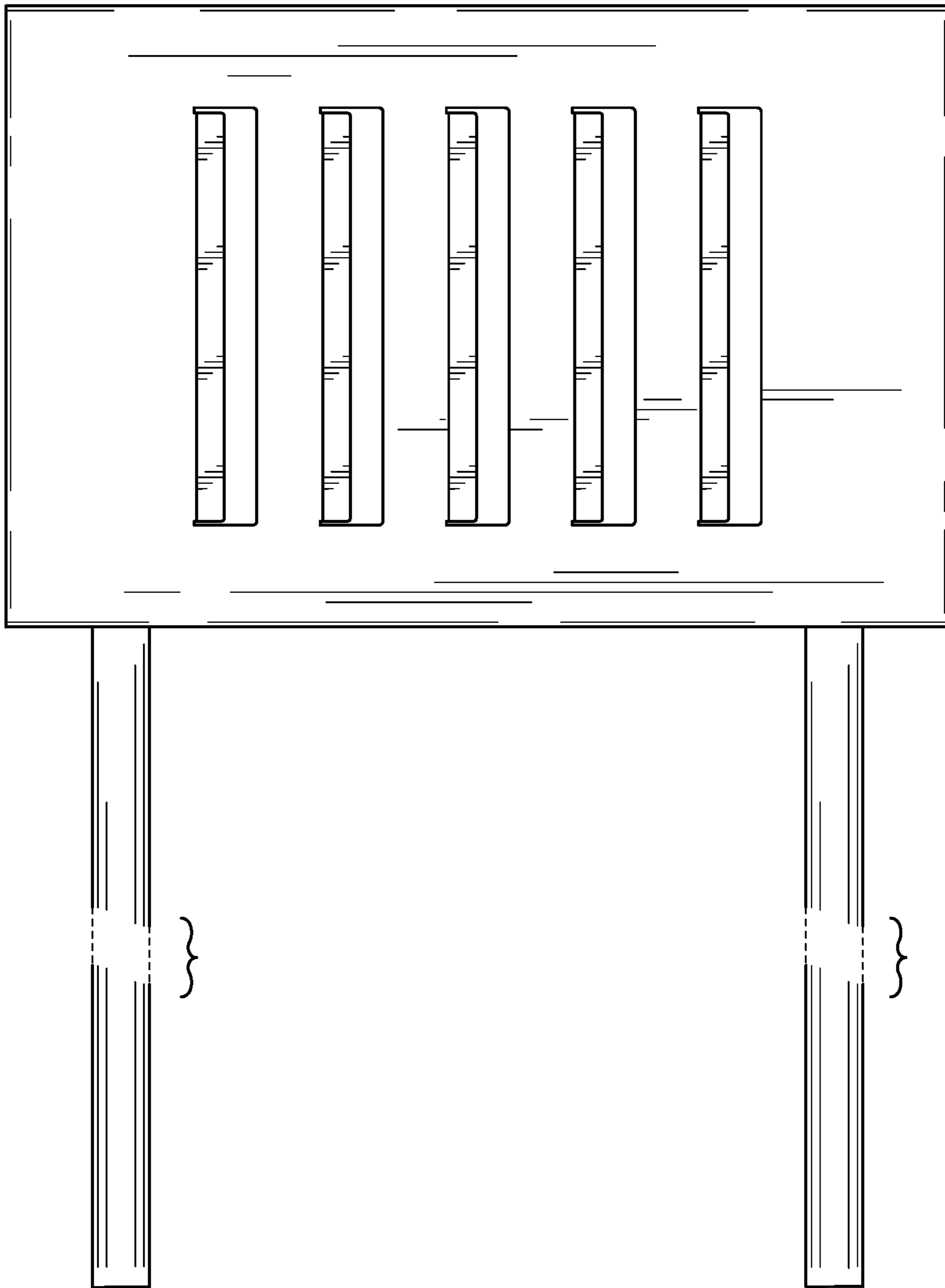


FIG. 4

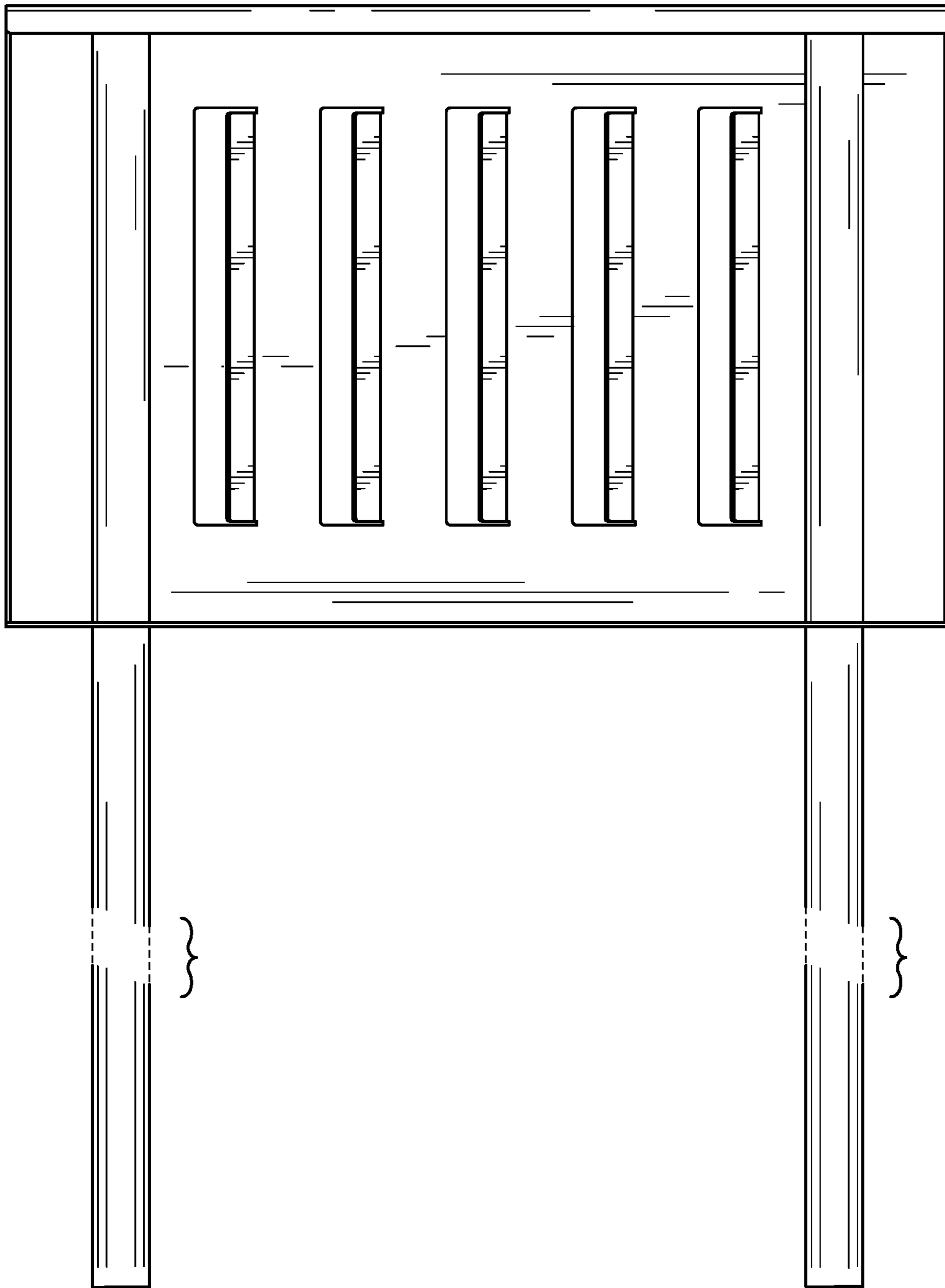


FIG. 5

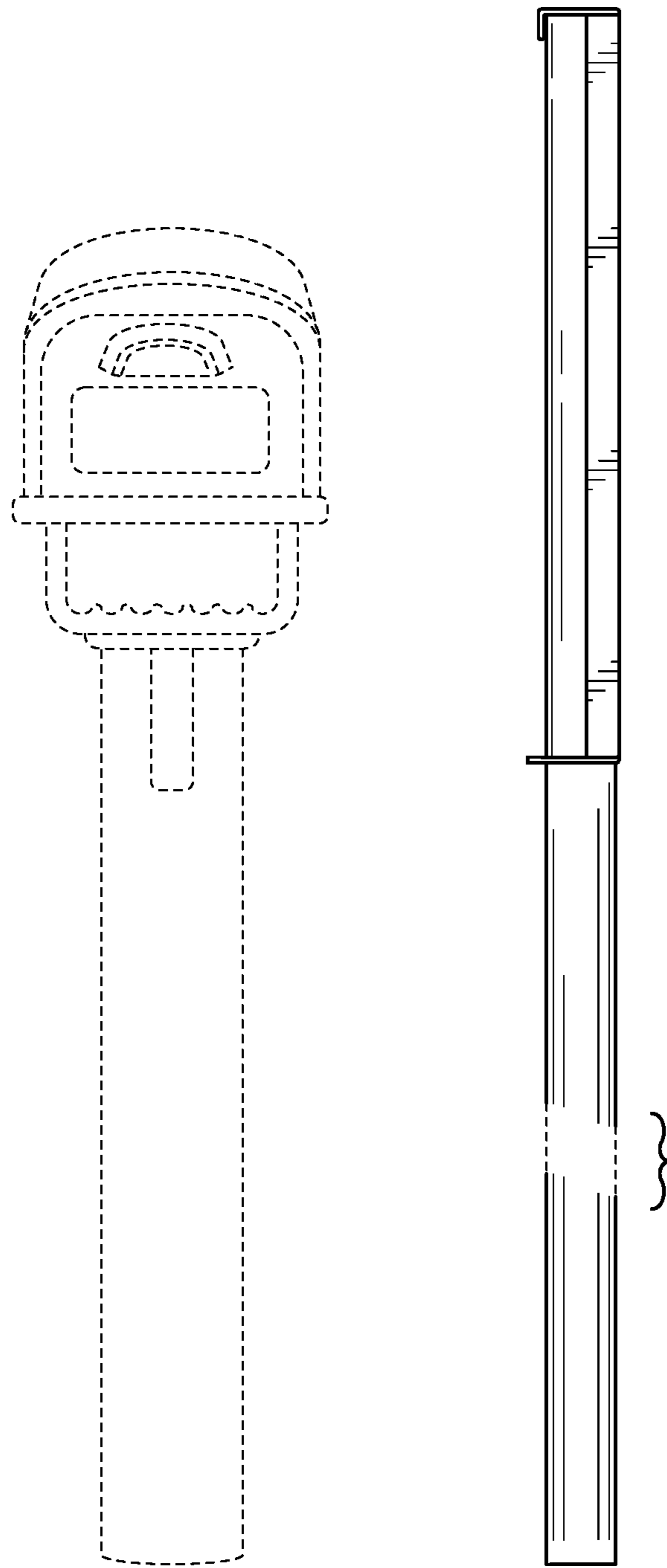


FIG. 6

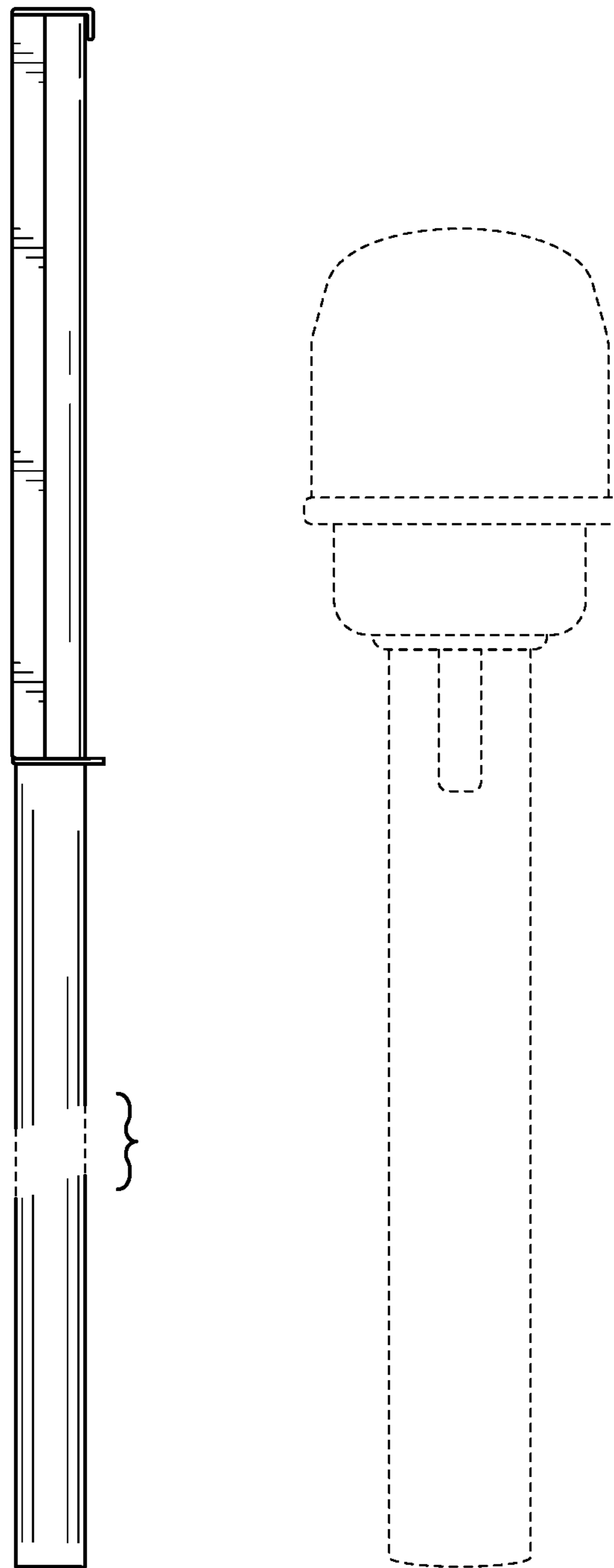


FIG. 7



FIG. 8

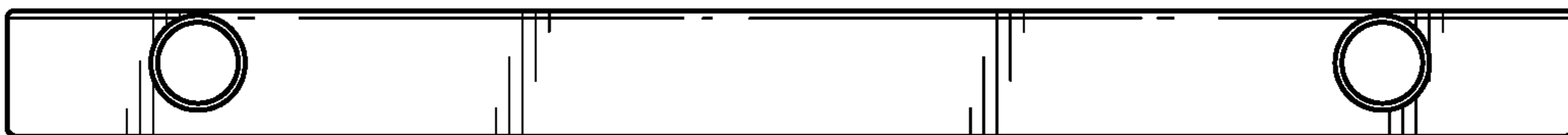


FIG. 9