



US00D903223S

(12) **United States Design Patent** (10) **Patent No.:** **US D903,223 S**  
**Watson et al.** (45) **Date of Patent:** **\*\* Nov. 24, 2020**

(54) <b>TELEHANDLER</b>	D376,243 S * 12/1996 Magni ..... D34/34
	5,687,809 A * 11/1997 Braud ..... B60K 5/04
	180/292
(71) Applicant: <b>J.C. BAMFORD EXCAVATORS LIMITED</b> , Uttoxeter (GB)	5,836,733 A * 11/1998 Moses ..... B66F 9/0655
	414/685
(72) Inventors: <b>Ben Watson</b> , Uttoxeter (GB); <b>Louis Gospel</b> , Uttoxeter (GB); <b>Steve Newberry</b> , Uttoxeter (GB)	D438,359 S * 2/2001 Braud ..... D15/23
	D460,085 S * 7/2002 Crookes ..... D15/25
	D461,831 S * 8/2002 Laberheim ..... D15/25
	D480,529 S * 10/2003 Pini ..... D34/34
	D609,721 S * 2/2010 Schmidt ..... D15/23
	D610,170 S * 2/2010 Schmidt ..... D15/23
	D634,757 S * 3/2011 Mack ..... D15/10
	D668,271 S * 10/2012 Hutchinson ..... D15/33
	D723,240 S * 2/2015 Gonzales ..... D34/35
	D756,057 S * 5/2016 Nessler ..... D34/34
	D855,659 S * 8/2019 Kasaba ..... D15/23

(\*\*) Term: **15 Years**

(21) Appl. No.: **29/706,344**

(22) Filed: **Sep. 19, 2019**

(30) **Foreign Application Priority Data**

Mar. 26, 2019 (WO) ..... DM/202419

(51) **LOC (12) Cl.** ..... **12-05**

(52) **U.S. Cl.**  
USPC ..... **D34/34; D34/37; D15/28; D15/33**

(58) **Field of Classification Search**  
USPC ..... D34/34, 35, 28, 33, 37; D15/28, 22-26;  
296/190, 202; 37/341, 442; 414/529,  
414/572, 718, 785, 607

CPC ..... B66F 9/0655; B66F 9/20; B66F 17/00  
See application file for complete search history.

(56) **References Cited**

**U.S. PATENT DOCUMENTS**

D231,975 S *	7/1974	Aiello et al. ....	D34/34
D316,468 S *	4/1991	Sandrock .....	D15/23
5,199,861 A *	4/1993	Merlo .....	B66F 9/0655
			180/89.12
D366,489 S *	1/1996	Brown .....	D15/22

\* cited by examiner

*Primary Examiner* — Mark A Goodwin

(74) *Attorney, Agent, or Firm* — Marshall, Gerstein & Borun LLP

(57) **CLAIM**

The ornamental design for a telehandler, as shown and described.

**DESCRIPTION**

FIG. 1 is a top, front, and right-side isometric view of a telehandler showing the new design.

FIG. 2 is a top plan view of the telehandler.

FIG. 3 is a front elevation view of the telehandler.

FIG. 4 is a right-side elevation view of the telehandler.

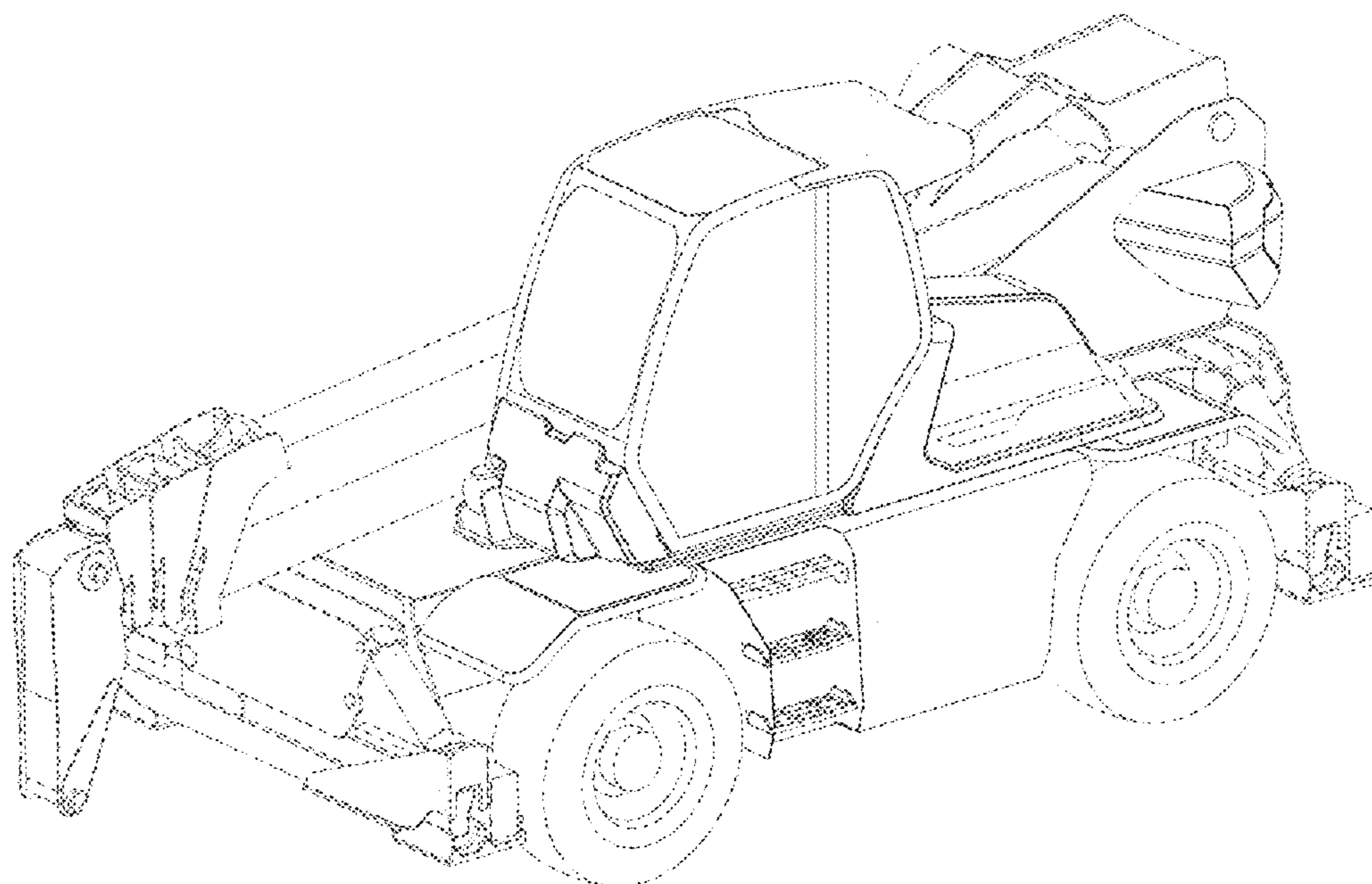
FIG. 5 is a left-side elevation view of the telehandler.

FIG. 6 is a rear elevation view of the telehandler; and,

FIG. 7 is a bottom plan view of the telehandler.

The broken lines depict portions of the telehandler that form no part of the claimed design.

**1 Claim, 7 Drawing Sheets**



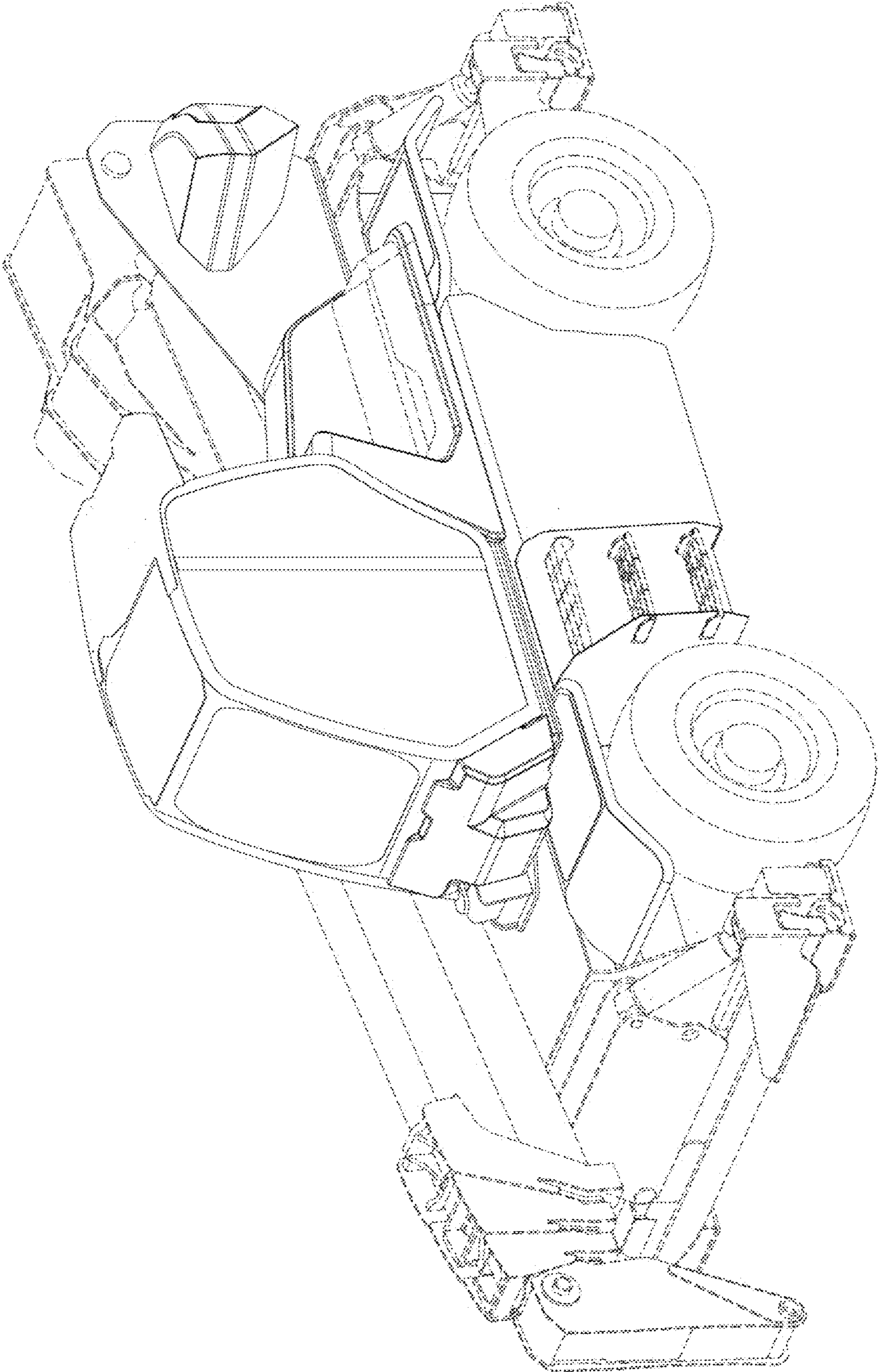


Fig. 1



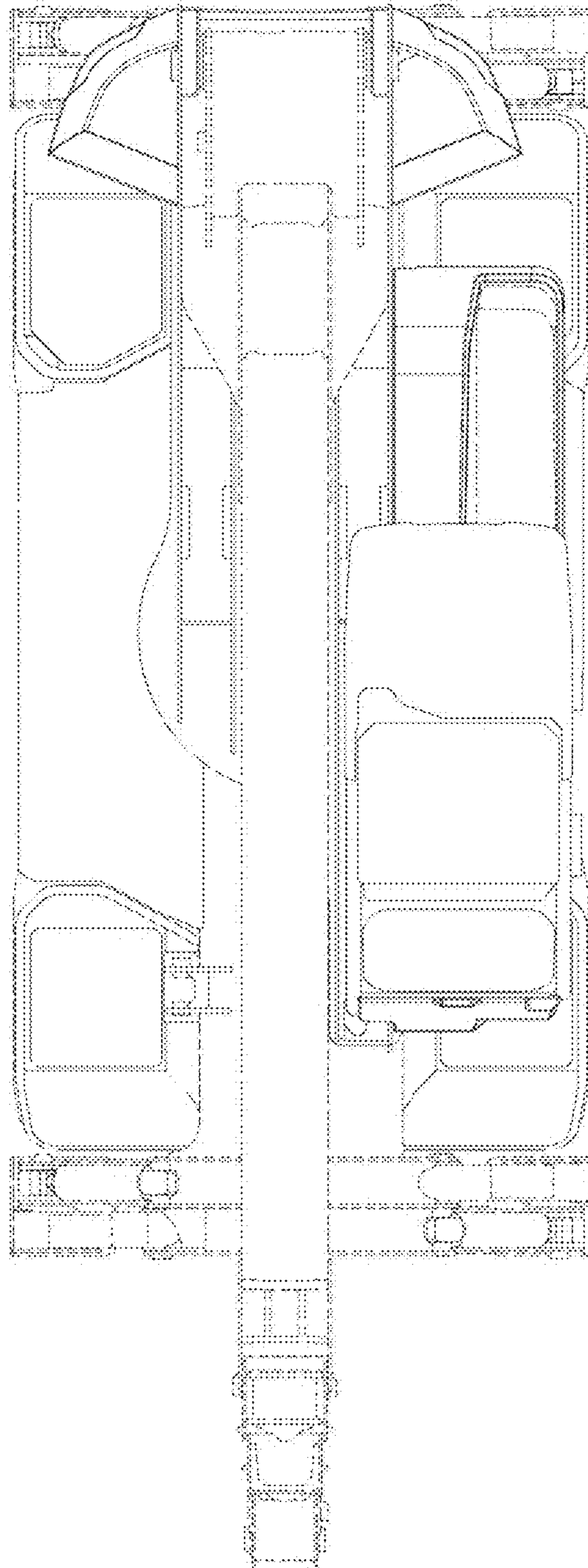


Fig. 2

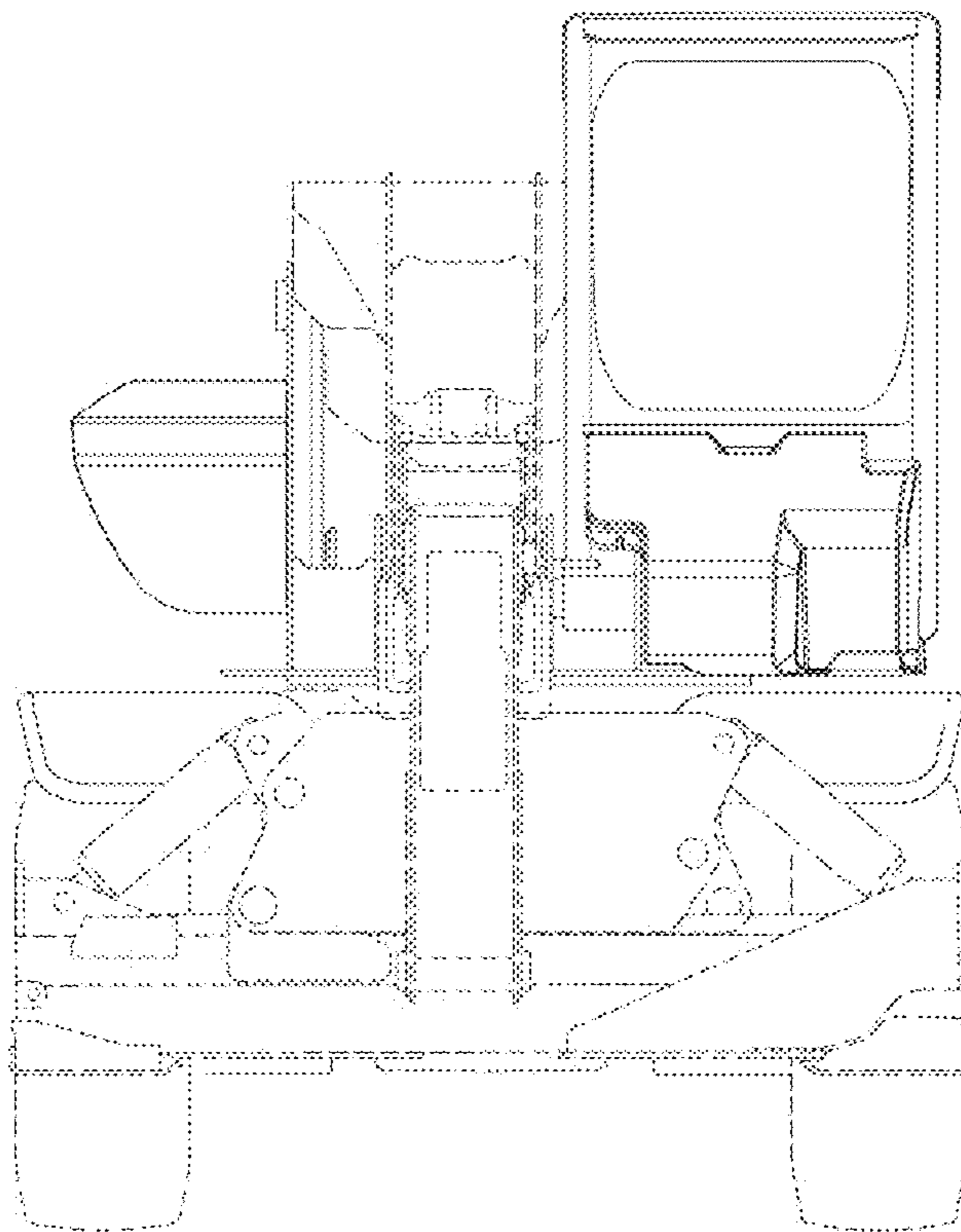


Fig. 3

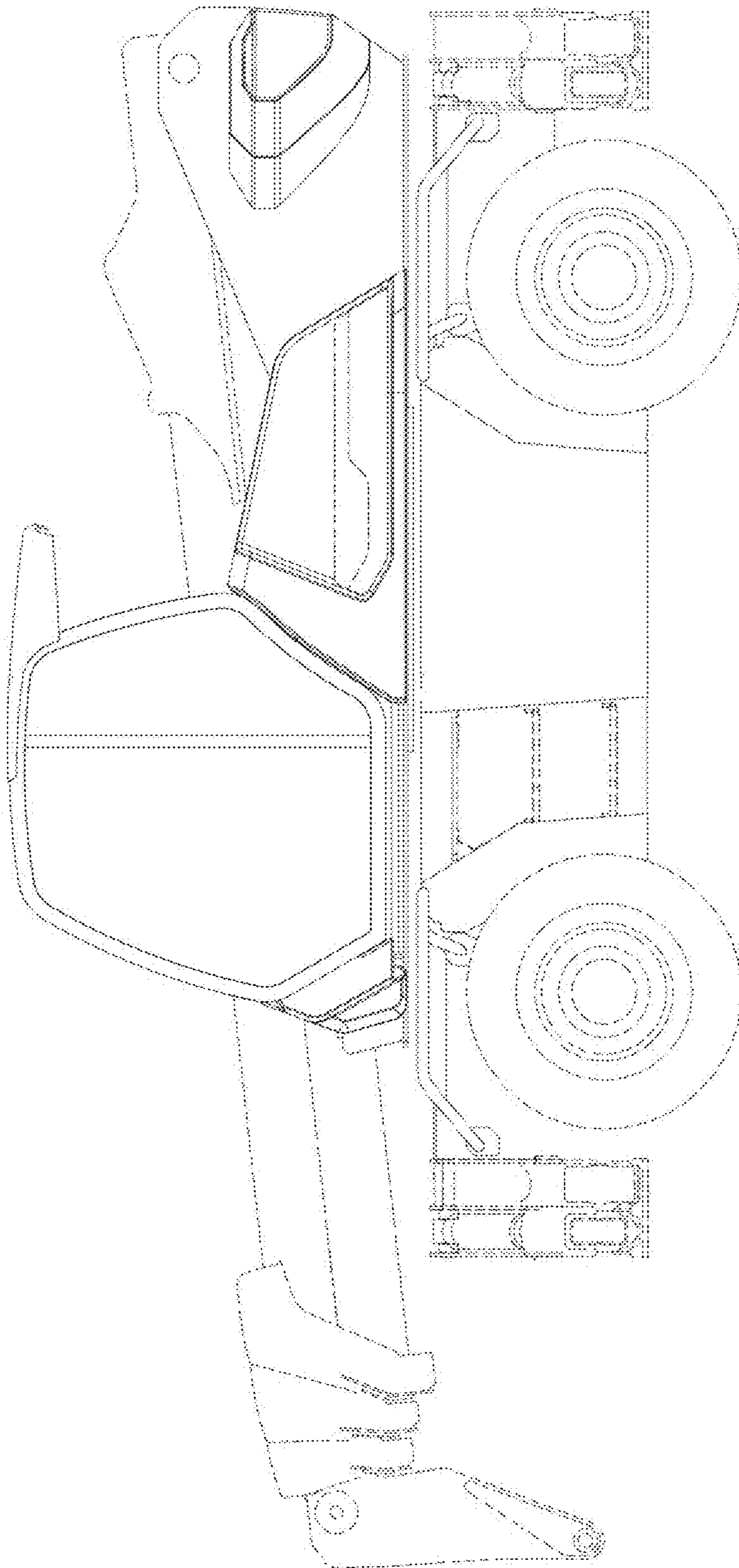


Fig. 4

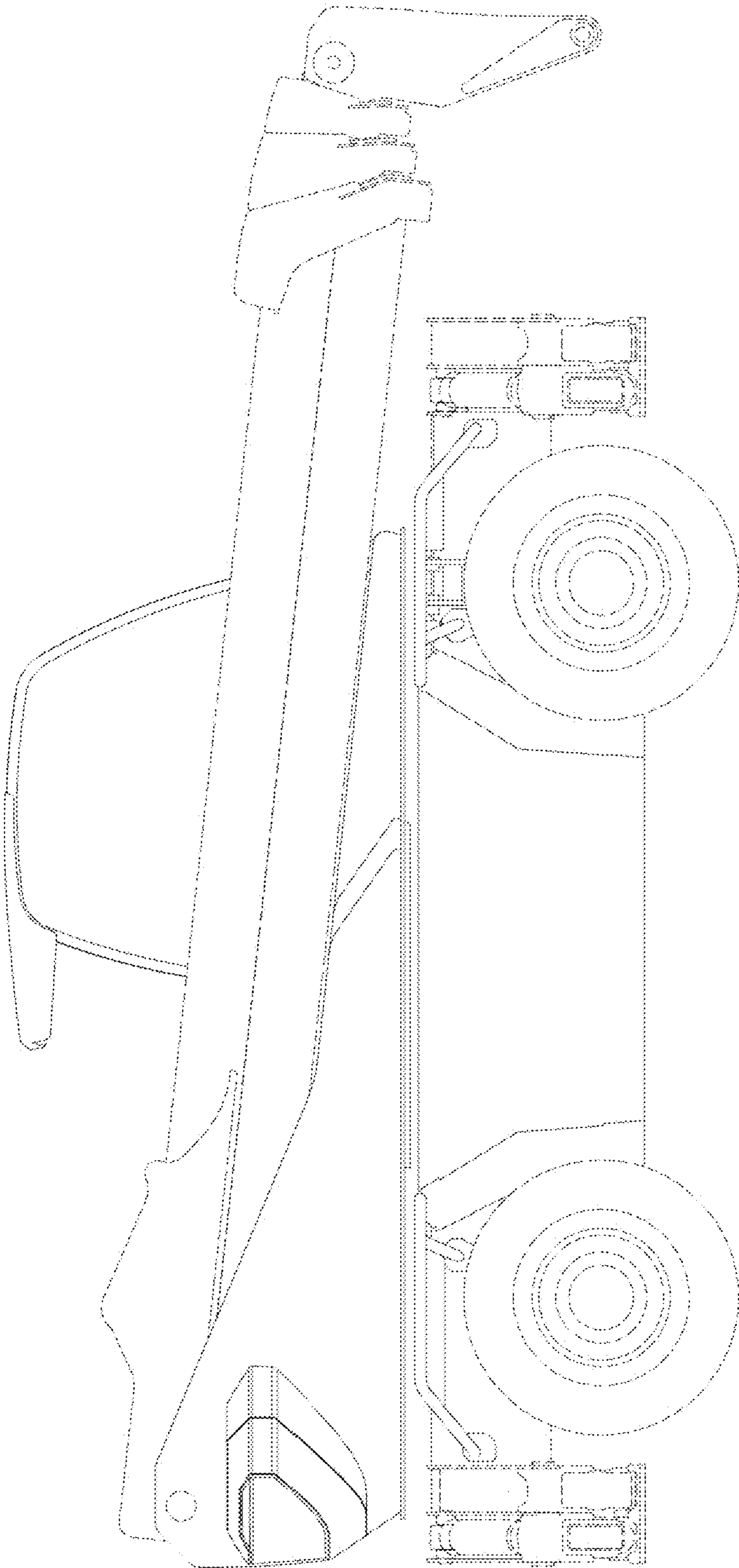


Fig. 5

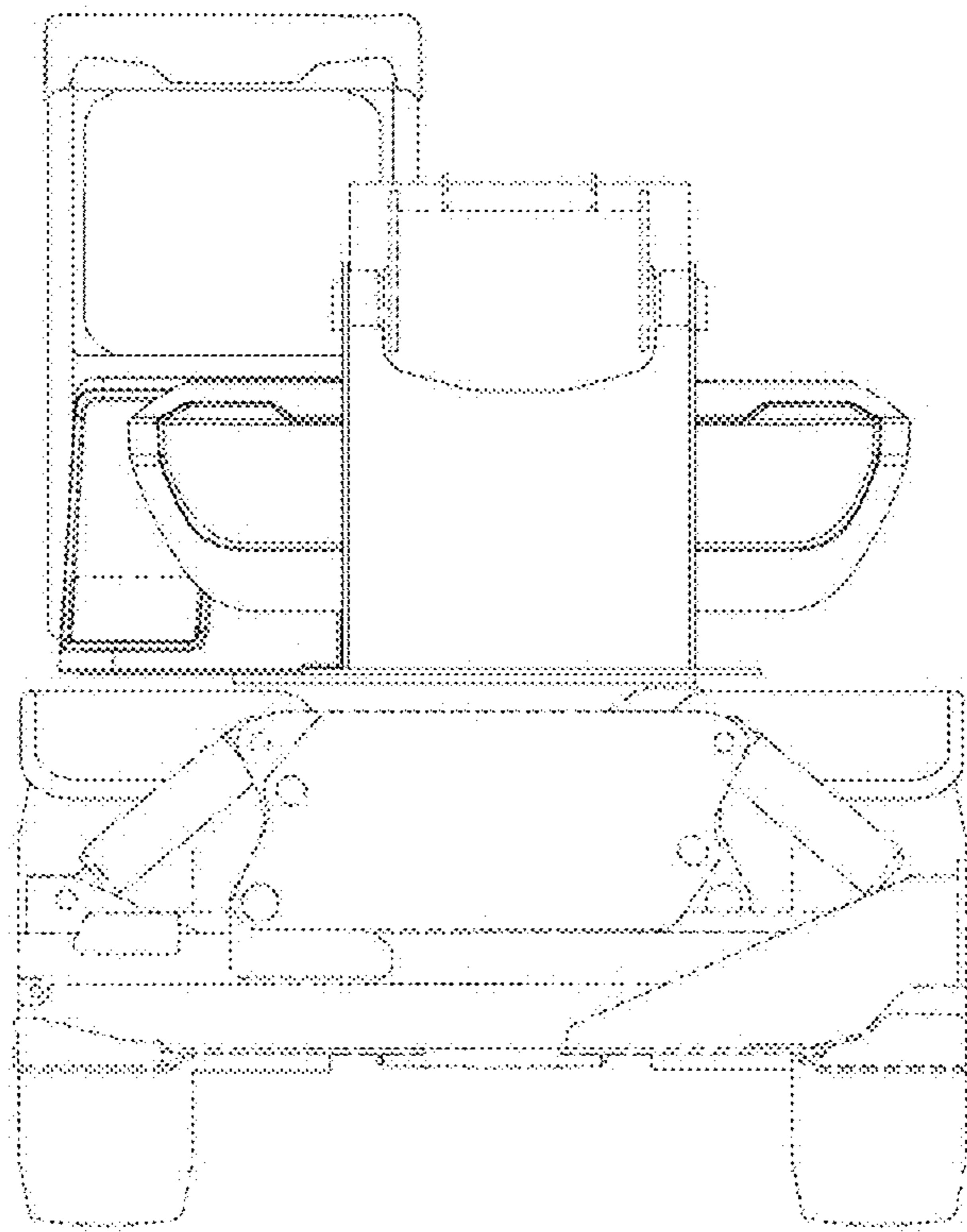


Fig. 6



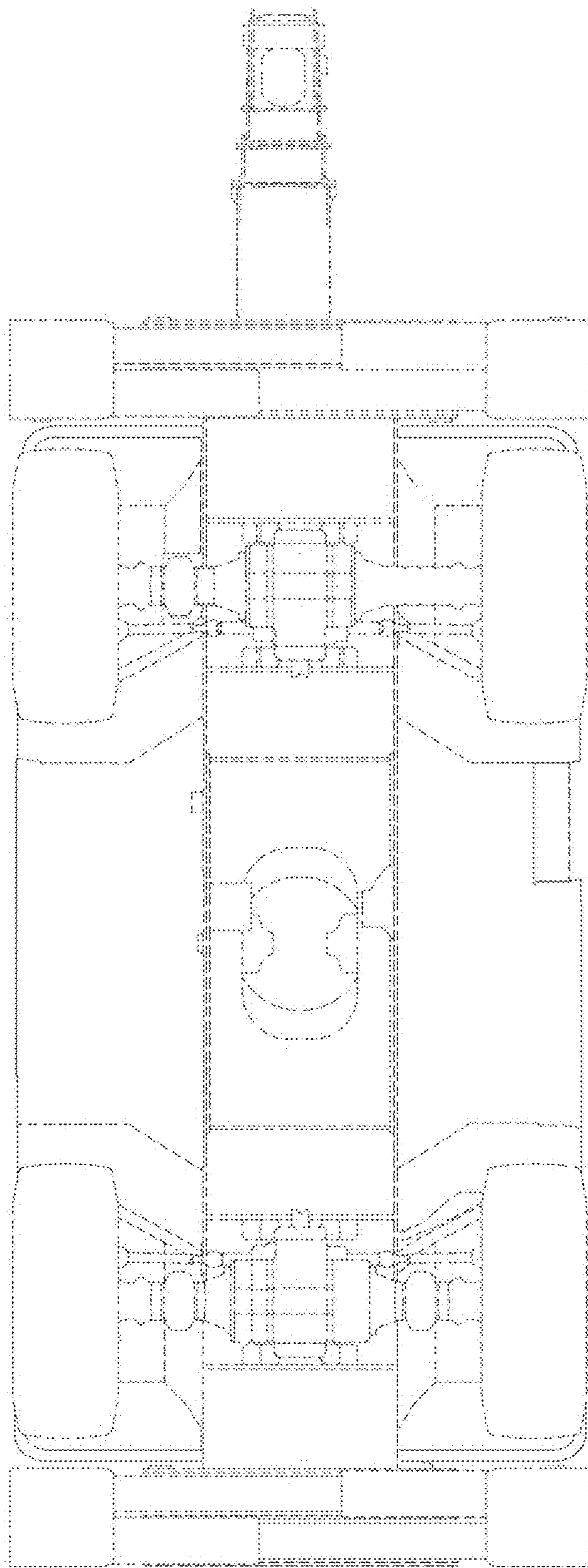


Fig. 7