



US00D903222S

(12) **United States Design Patent**
Watson et al.

(10) **Patent No.: US D903,222 S**

(45) **Date of Patent: ** Nov. 24, 2020**

(54) **MACHINE FOR EARTH-MOVING,
MATERIAL HANDLING, LIFTING, AND/OR
CONSTRUCTION**

D376,243 S * 12/1996 Magni D34/34
5,687,809 A * 11/1997 Braud B60K 5/04
180/292
5,836,733 A * 11/1998 Moses B66F 9/0655
414/685
D438,359 S * 2/2001 Braud D15/23
D460,085 S * 7/2002 Crookes D15/25
D461,831 S * 8/2002 Laberheim D15/25
D480,529 S * 10/2003 Pini D34/34

(71) Applicant: **J.C. BAMFORD EXCAVATORS
LIMITED**, Uttoxeter (GB)

(72) Inventors: **Ben Watson**, Uttoxeter (GB); **Louis
Gospel**, Uttoxeter (GB); **Steve
Newberry**, Uttoxeter (GB)

(73) Assignee: **J.C. BAMFORD EXCAVATORS
LIMITED**, Uttoxeter (GB)

(**) Term: **15 Years**

(21) Appl. No.: **29/706,342**

(22) Filed: **Sep. 19, 2019**

(30) **Foreign Application Priority Data**

Mar. 26, 2019 (WO) DM/202 419

(51) **LOC (12) Cl.** **12-05**

(52) **U.S. Cl.**
USPC **D34/34; D34/35; D15/28**

(58) **Field of Classification Search**
USPC D34/34, 35, 28, 33, 37; D15/28, 22-26;
296/190, 202; 37/341, 442; 414/529,
414/572, 718, 785, 607
CPC B66F 9/0655; B66F 9/20; B66F 17/00
See application file for complete search history.

(56) **References Cited**

U.S. PATENT DOCUMENTS

D231,975 S * 7/1974 Aiello et al. D34/34
D316,468 S * 4/1991 Sandrock D15/23
5,199,861 A * 4/1993 Merlo B66F 9/0655
180/89.12
D366,489 S * 1/1996 Brown D15/22

(Continued)

Primary Examiner — Mark A Goodwin

(74) *Attorney, Agent, or Firm* — Marshall, Gerstein &
Borun LLP

(57) **CLAIM**

The ornamental design for a frame for a machine for earth-moving, material handling, lifting, and/or construction, as shown and described.

DESCRIPTION

FIG. 1 is a top, back, and right-side isometric view of a machine for earth-moving, material handling, lifting, and/or construction showing the new design.

FIG. 2 is an enlarged top, back, and right-side isometric view of the part of the machine that bears the claimed design.

FIG. 3 is a top plan view of the part of the machine seen in FIG. 2.

FIG. 4 is a right-side elevation view of the part seen in FIG. 2.

FIG. 5 is a back elevation view of the part seen in FIG. 2.

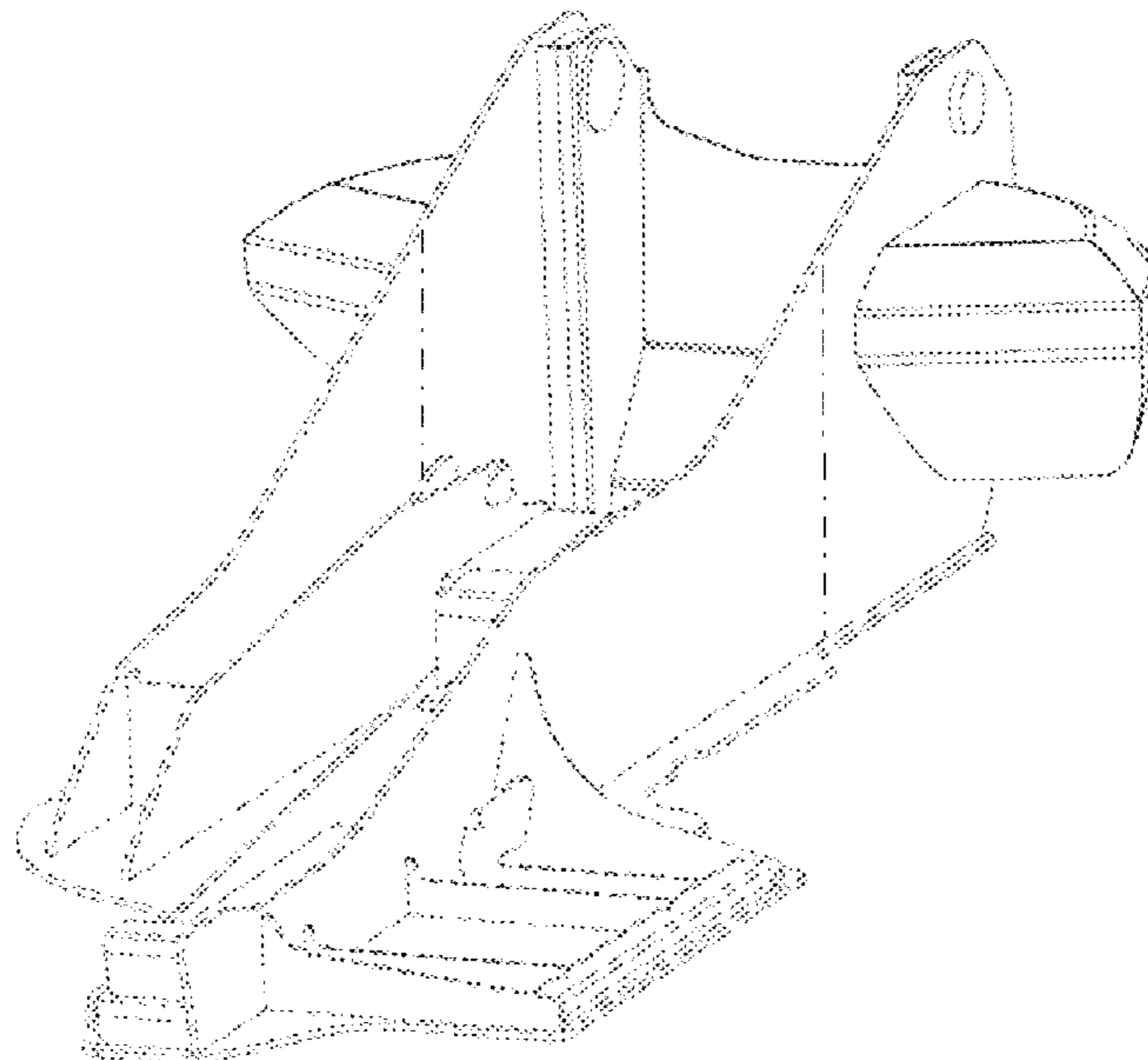
FIG. 6 is a front elevation view of the part seen in FIG. 2.

FIG. 7 is a left-side elevation view of the part seen in FIG. 2; and,

FIG. 8 is a bottom plan view of the part seen in FIG. 2.

The broken lines depict portions of the machine for earth-moving, material handling, lifting, and/or construction that form no part of the claimed design. The dash-dot lines define a boundary of the claimed design.

1 Claim, 5 Drawing Sheets



(56)

References Cited

U.S. PATENT DOCUMENTS

D609,721 S *	2/2010	Schmidt	D15/23
D610,170 S *	2/2010	Schmidt	D15/23
D634,757 S *	3/2011	Mack	D15/10
D668,271 S *	10/2012	Hutchinson	D15/33
D723,240 S *	2/2015	Gonzales	D34/35
D756,057 S *	5/2016	Nessler	D34/34
D855,659 S *	8/2019	Kasaba	D15/23

* cited by examiner

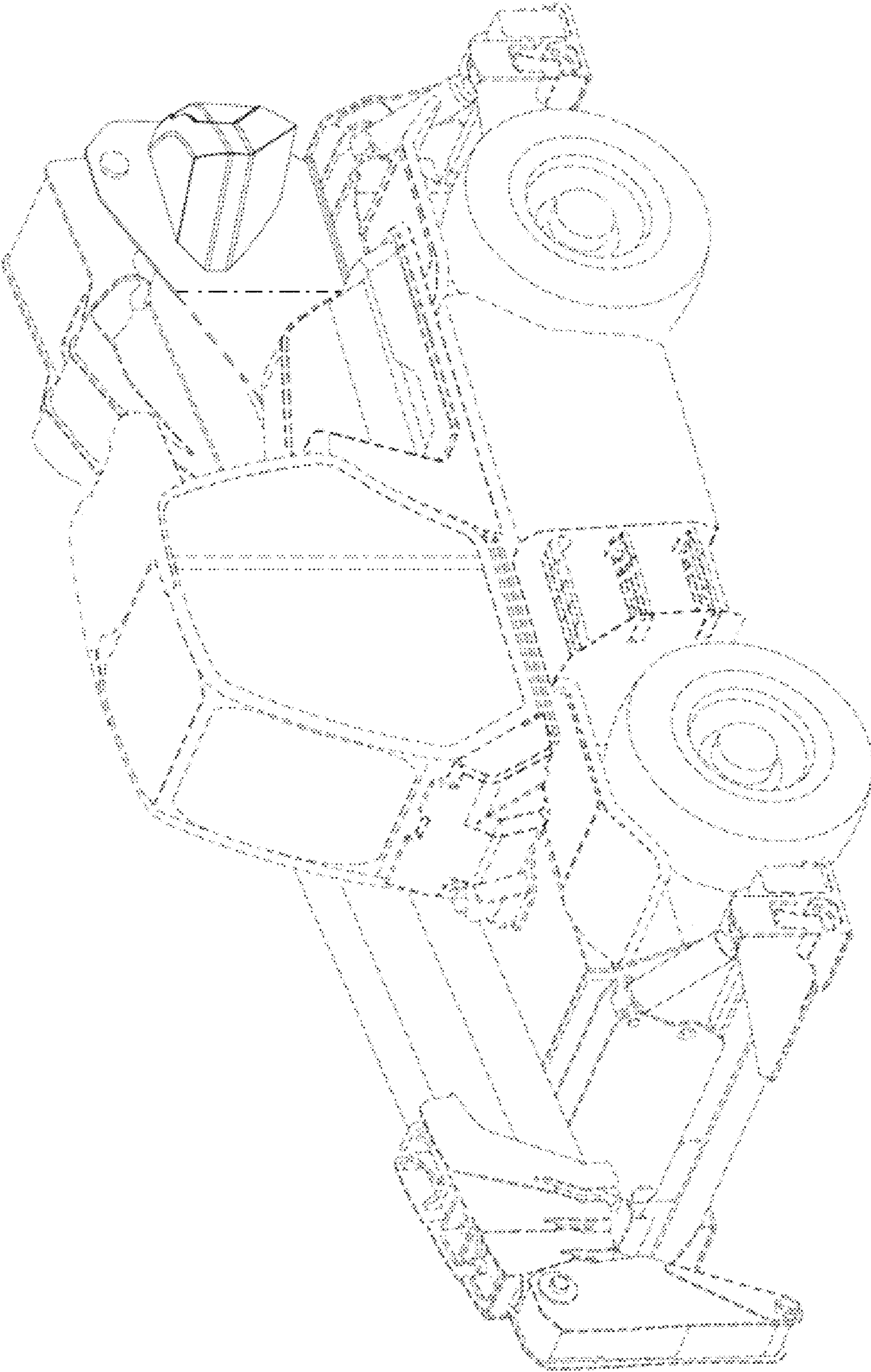


Fig. 1

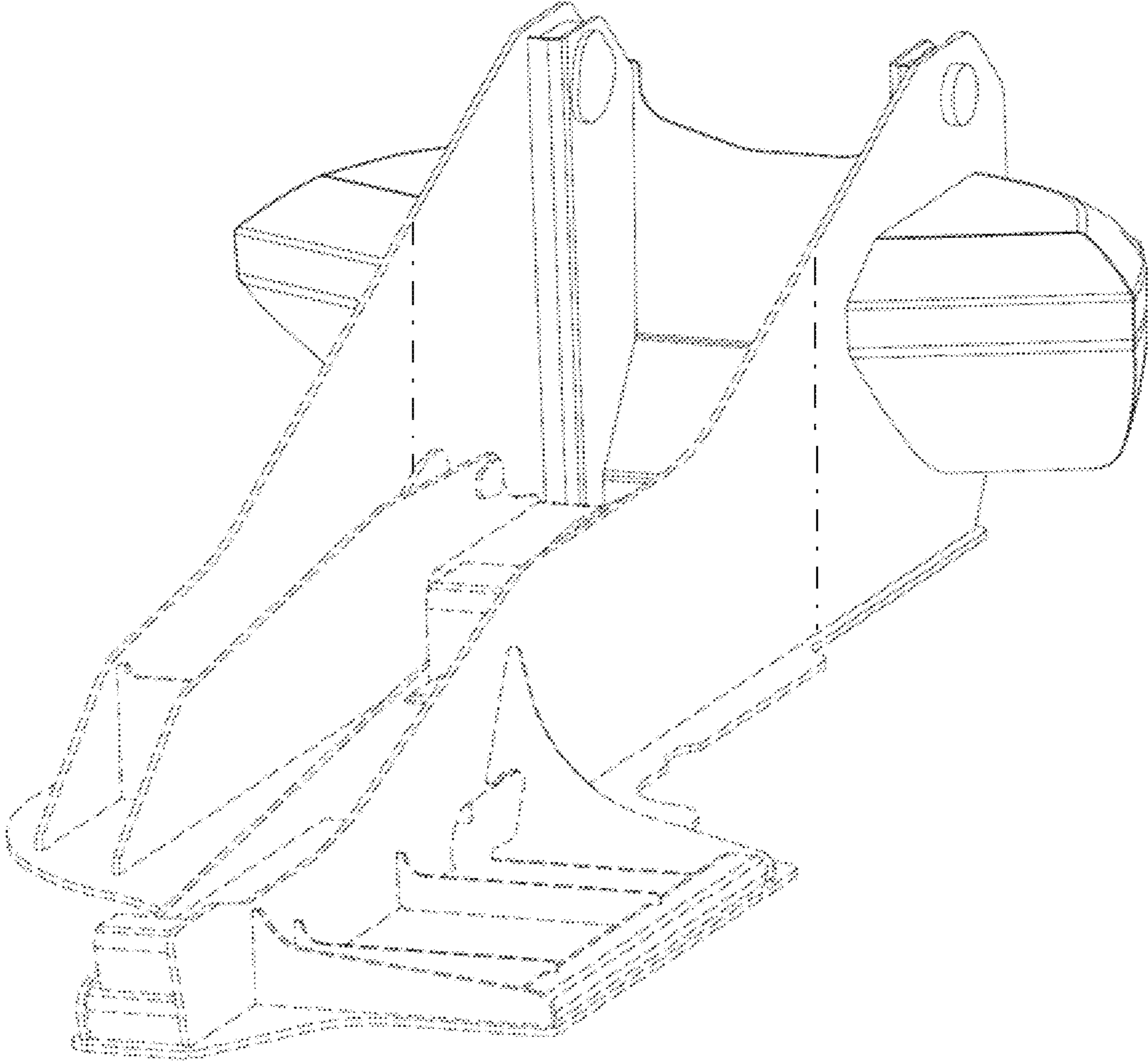


Fig. 2

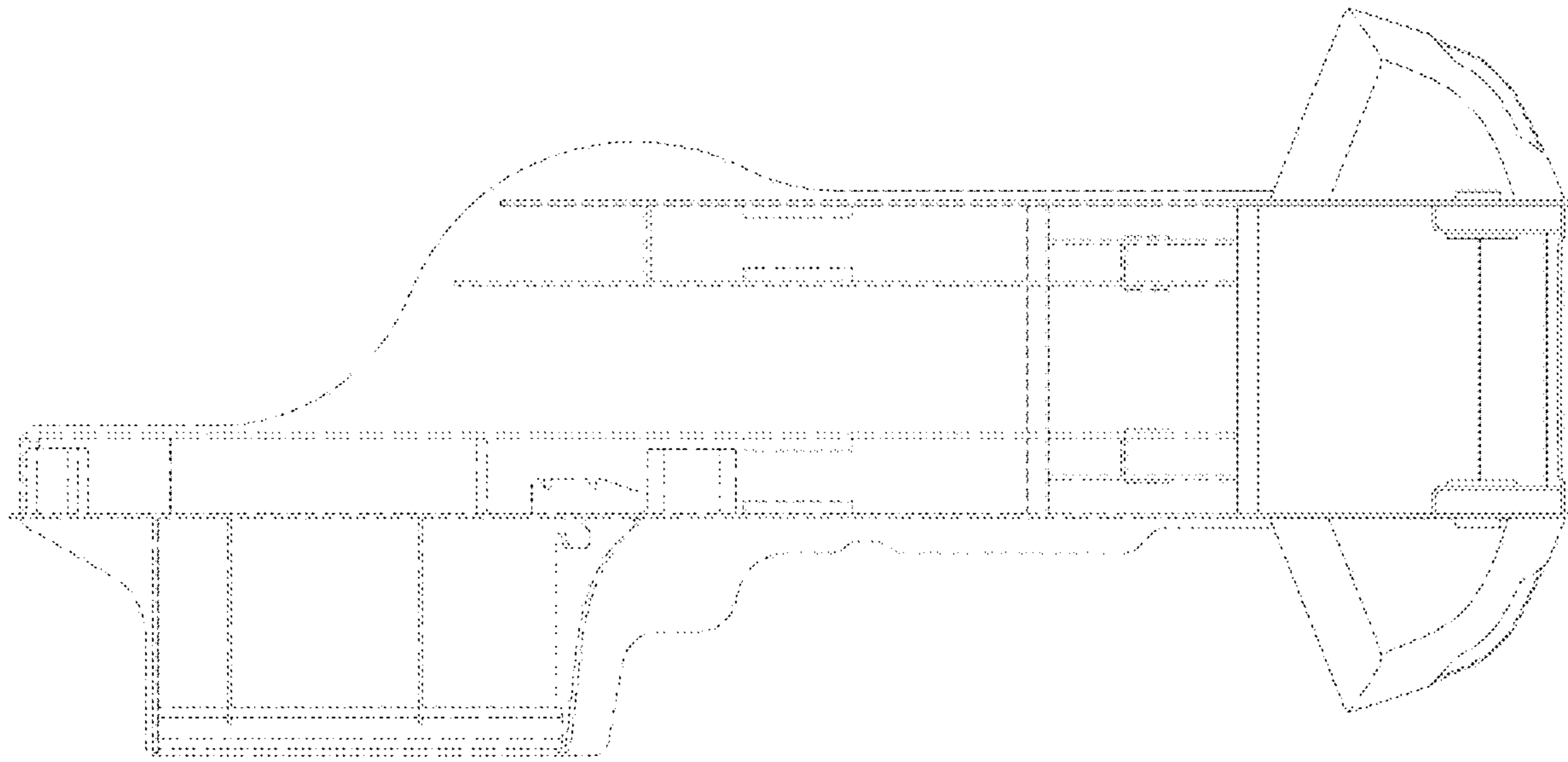


Fig. 3

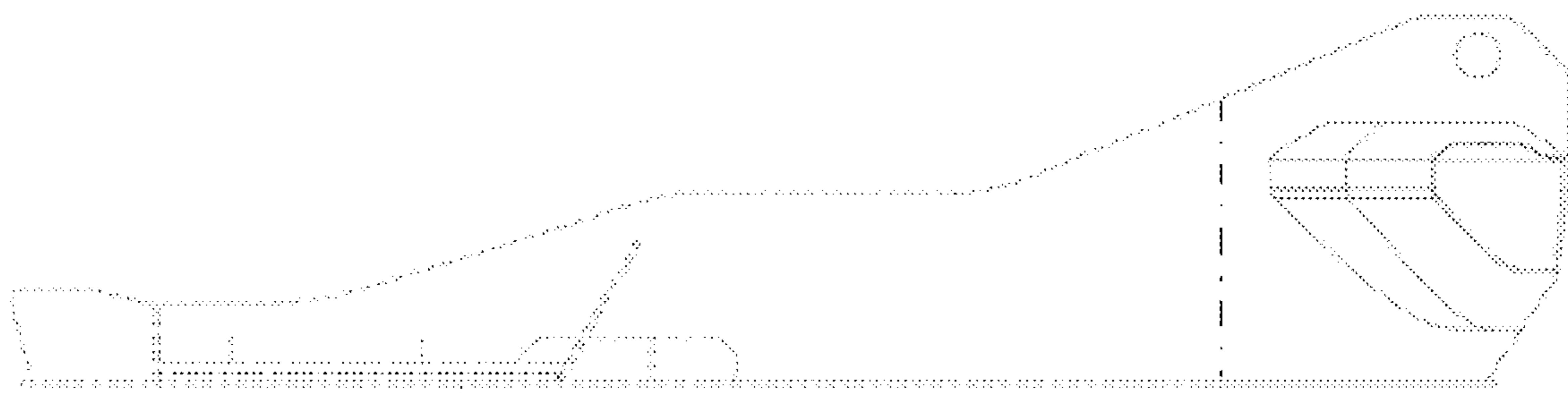


Fig. 4

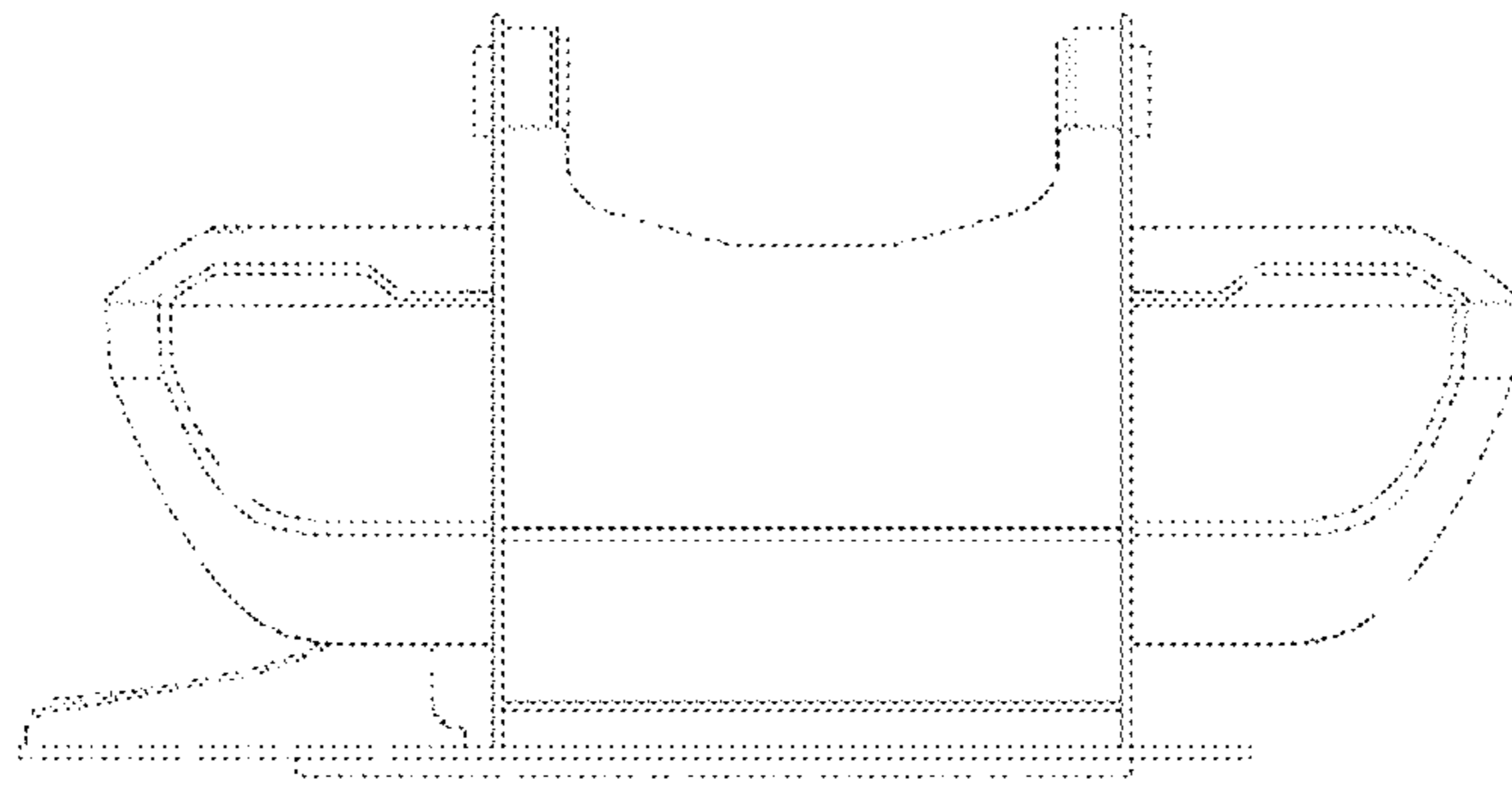


Fig. 5

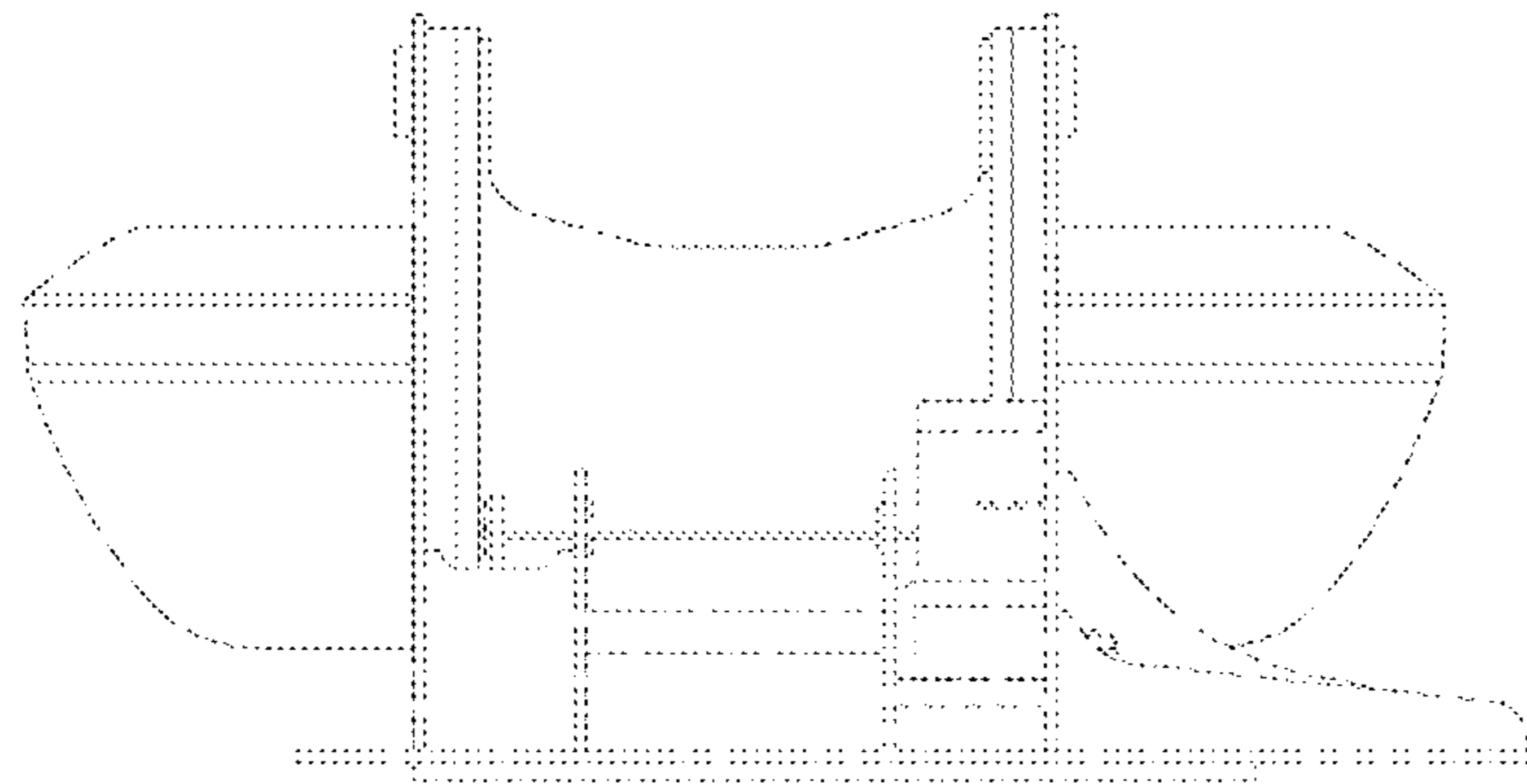


Fig. 6

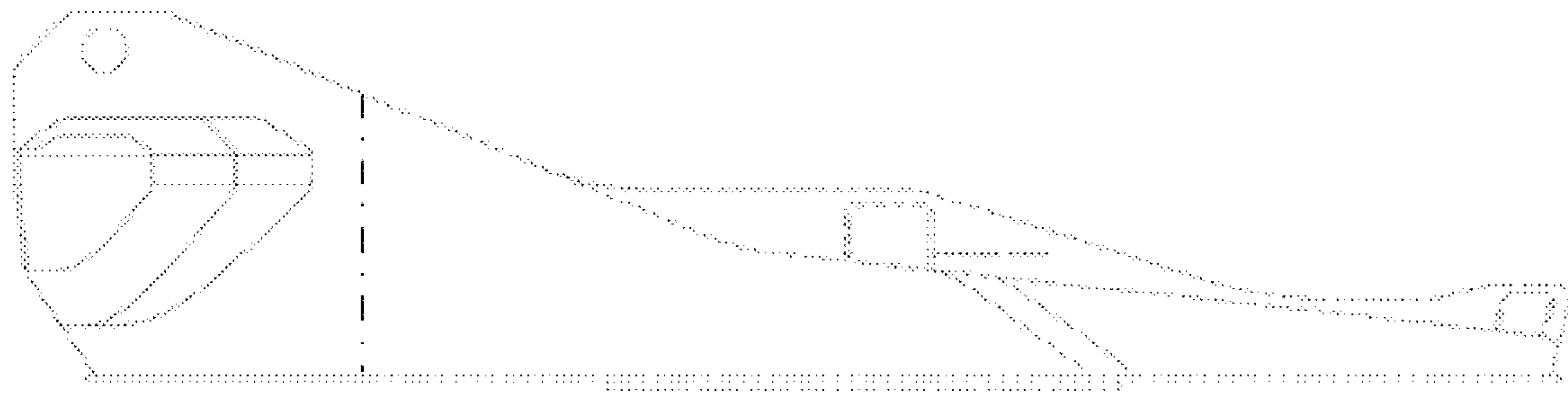


Fig. 7

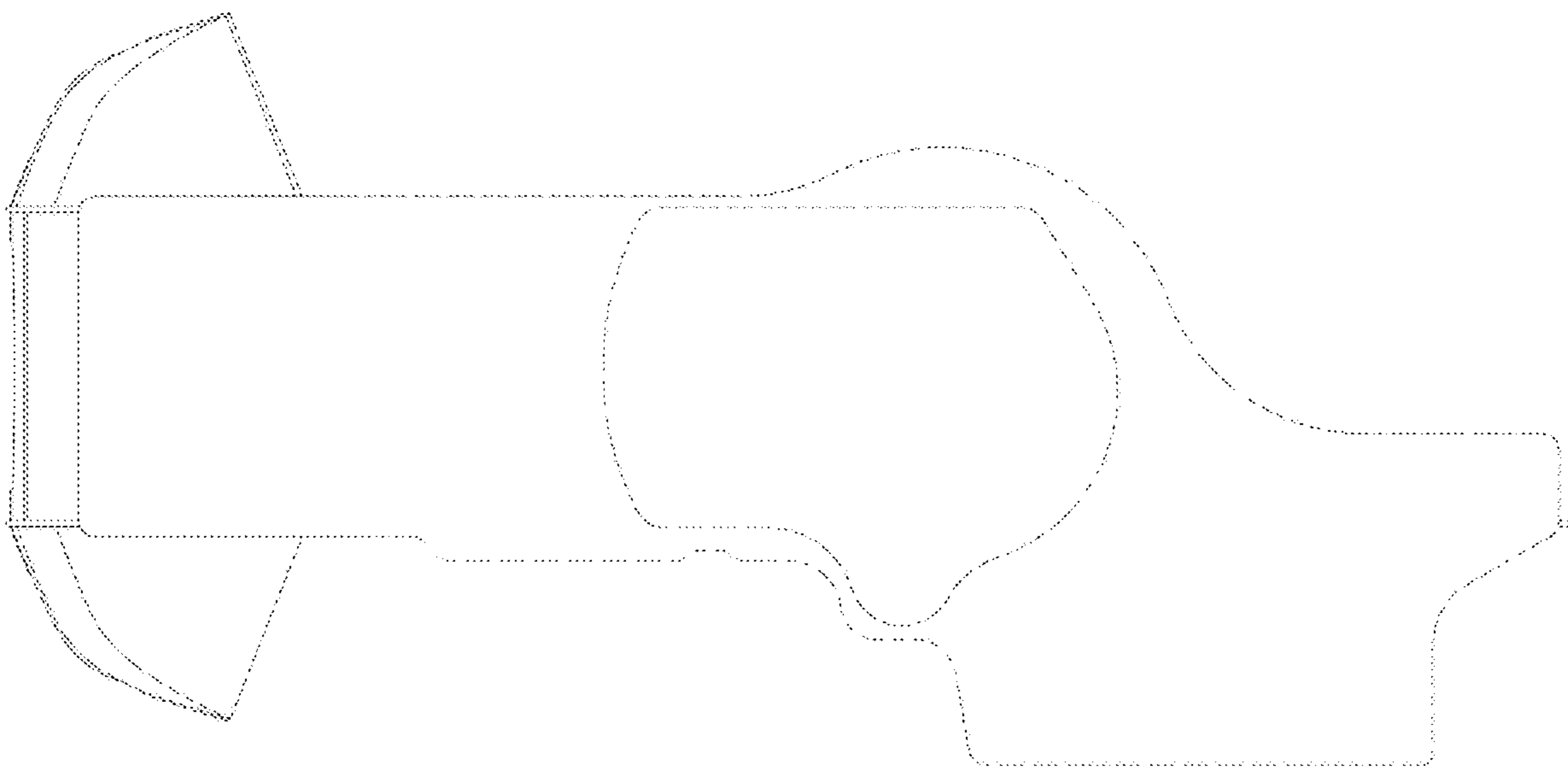


Fig. 8