



US00D903221S

(12) **United States Design Patent**
Feng et al.

(10) **Patent No.:** **US D903,221 S**

(45) **Date of Patent:** **** Nov. 24, 2020**

(54) **ELECTRIC WINCH FOR CARS**

(71) Applicant: **Zhejiang Runva Mechanical & Electrical Co., Ltd.**, Jinhua (CN)

(72) Inventors: **Xiang Feng**, Jinhua (CN); **Ling Ye**, Jinhua (CN); **Jianhao Zhu**, Jinhua (CN)

(73) Assignee: **Zhejiang Runva Mechanical & Electrical Co., Ltd.**, Jinhua (CN)

(**) Term: **15 Years**

(21) Appl. No.: **29/704,868**

(22) Filed: **Sep. 8, 2019**

(51) **LOC (12) Cl.** **12-05**

(52) **U.S. Cl.**
USPC **D34/33**

(58) **Field of Classification Search**
USPC D34/33
CPC B66D 5/34; B66D 2700/0141; B66D 1/12;
B66D 1/00; B66D 1/14
See application file for complete search history.

(56) **References Cited**

U.S. PATENT DOCUMENTS

D532,577 S * 11/2006 Elliott D34/33
D703,414 S * 4/2014 Fretz D34/33

D744,189 S * 11/2015 Fretz D34/33
D799,143 S * 10/2017 Cui D34/33
D799,144 S * 10/2017 Cui D34/33
D799,779 S * 10/2017 Aho D34/33
D849,352 S * 5/2019 Fretz D34/33
D866,115 S * 11/2019 Fretz D34/33

* cited by examiner

Primary Examiner — Michael A. Pratt

(74) *Attorney, Agent, or Firm* — Liang Legal Group, PLLC

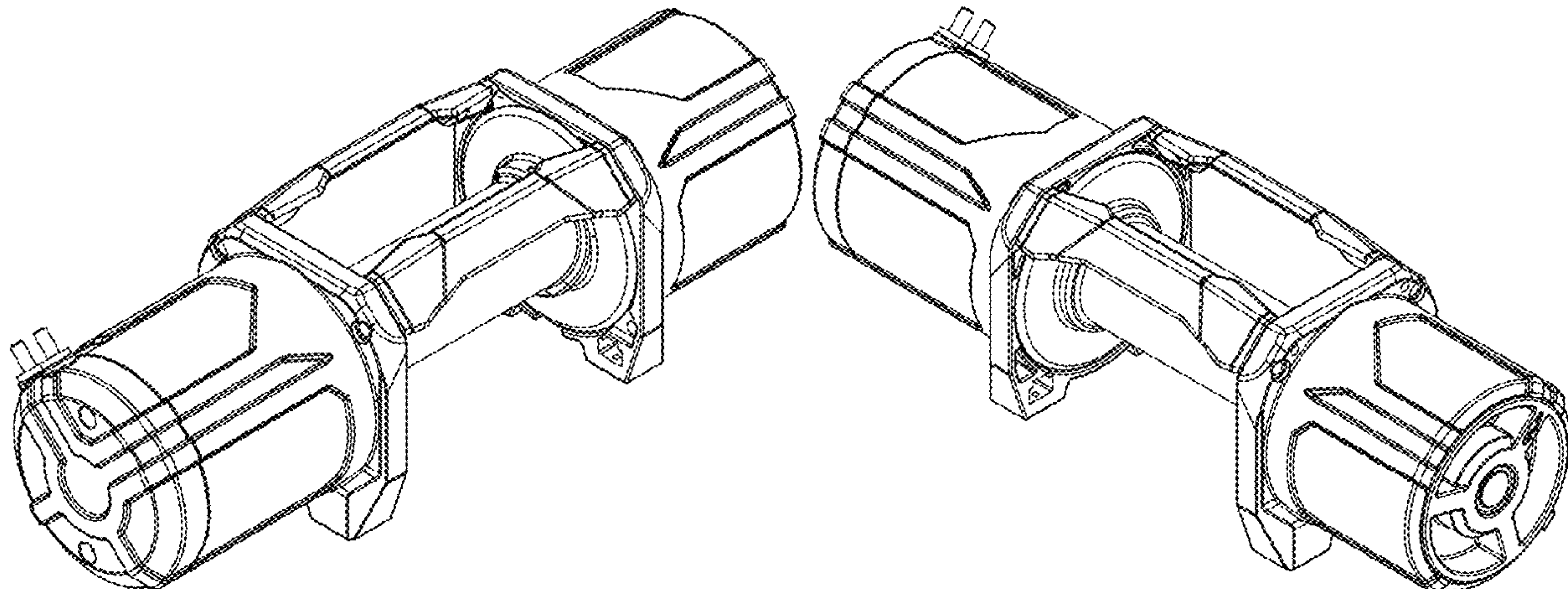
(57) **CLAIM**

The ornamental design for an electric winch for cars, as shown and described.

DESCRIPTION

FIG. 1 is a front elevation view of an electric winch for cars showing our new design.
FIG. 2 is a rear elevation view thereof.
FIG. 3 is a left side elevation view thereof.
FIG. 4 is a right side elevation view thereof.
FIG. 5 is a top plan view thereof.
FIG. 6 is a bottom plan view thereof.
FIG. 7 is a perspective view thereof; and,
FIG. 8 is another perspective view thereof.

1 Claim, 8 Drawing Sheets



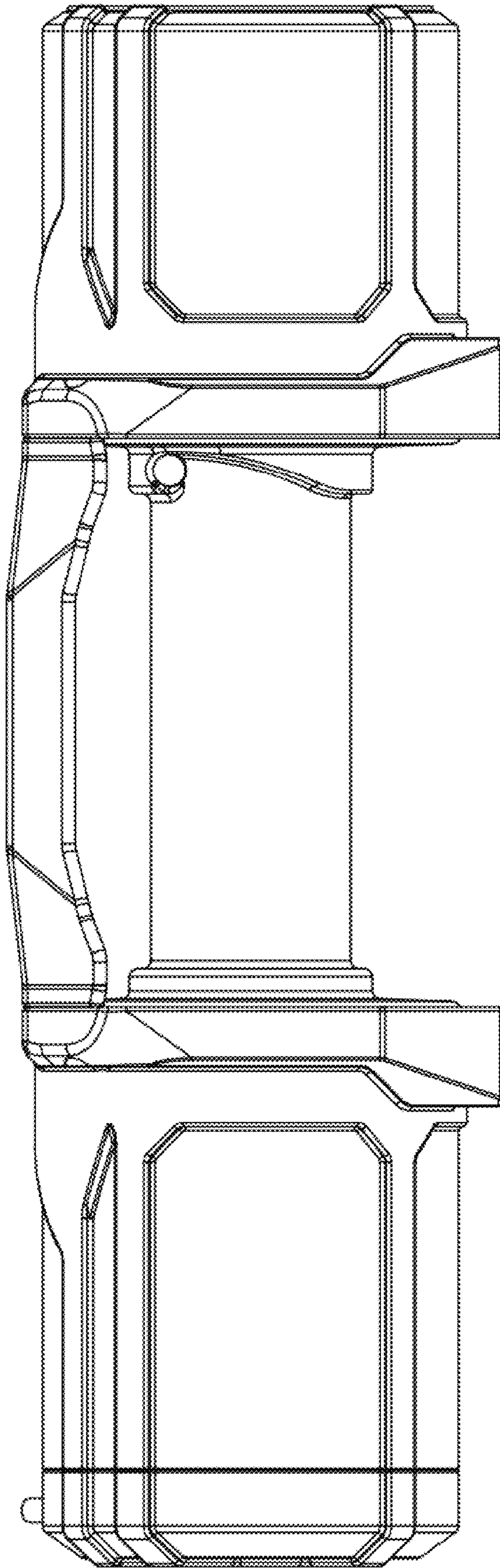


FIG. 1

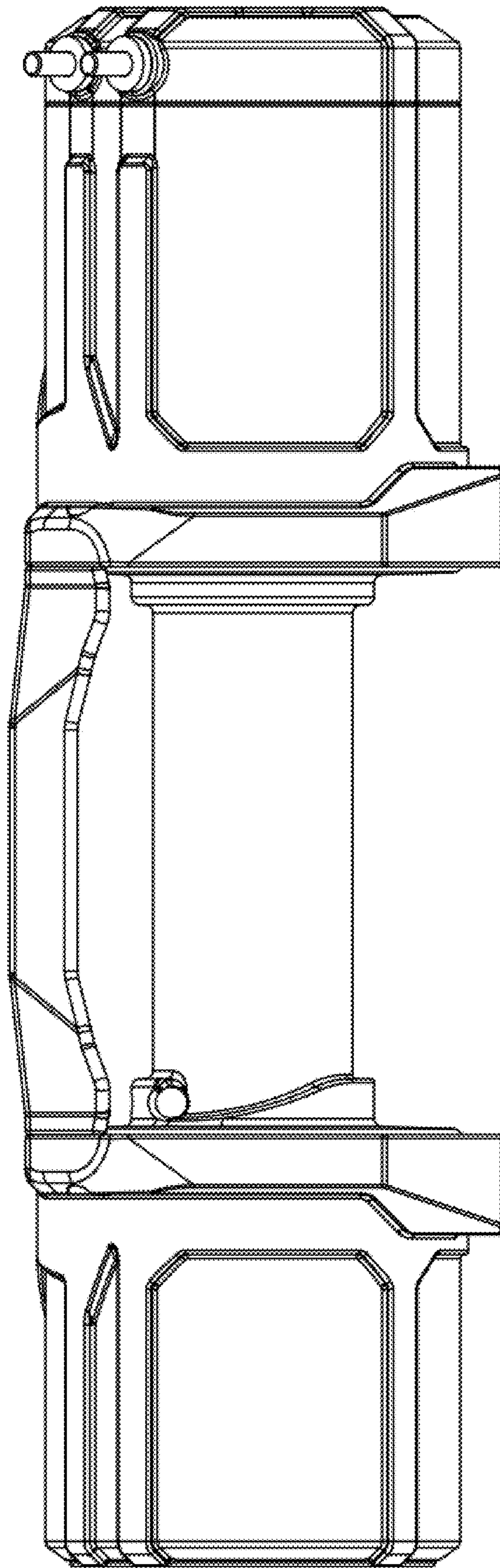


FIG. 2

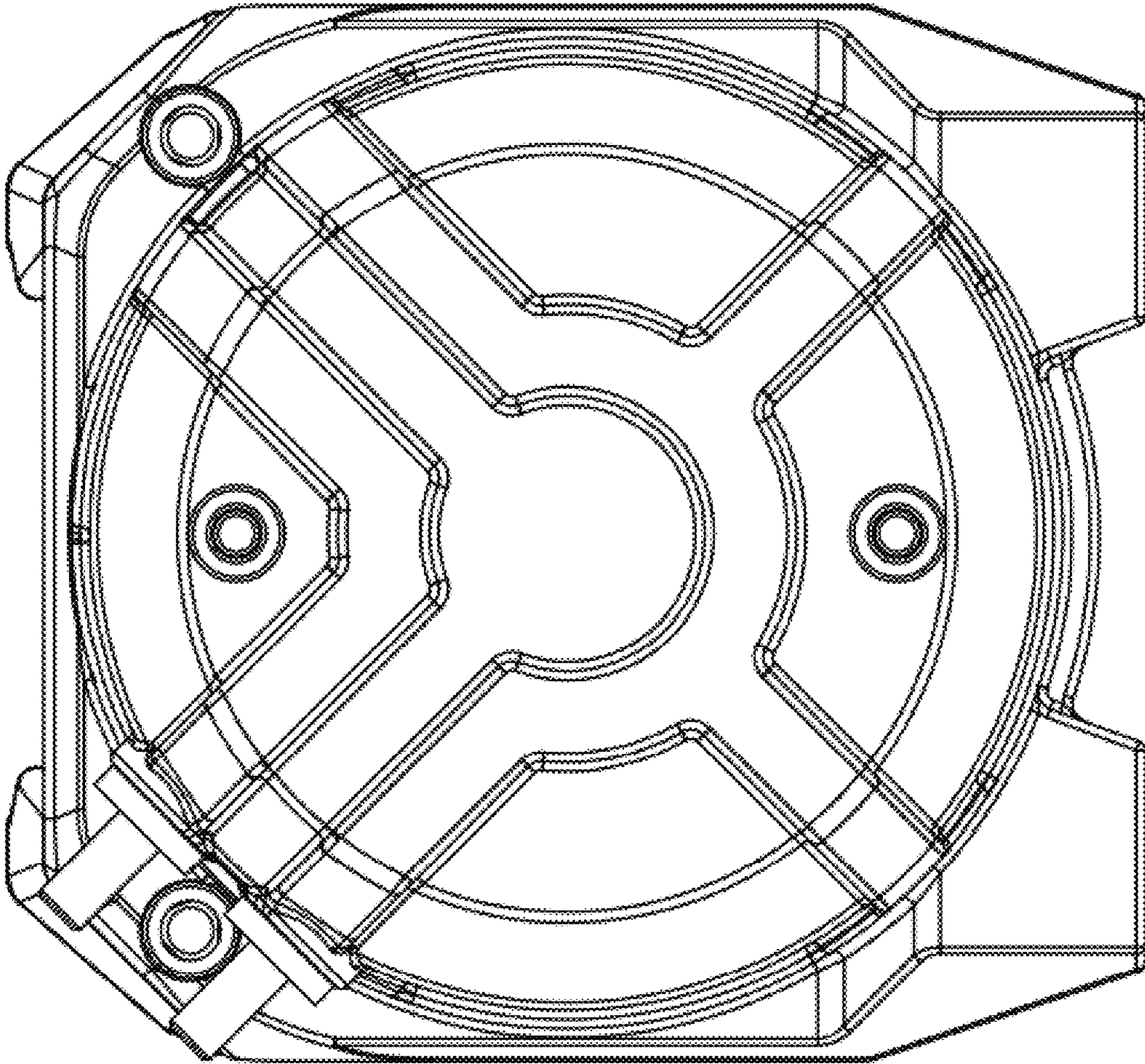


FIG. 3

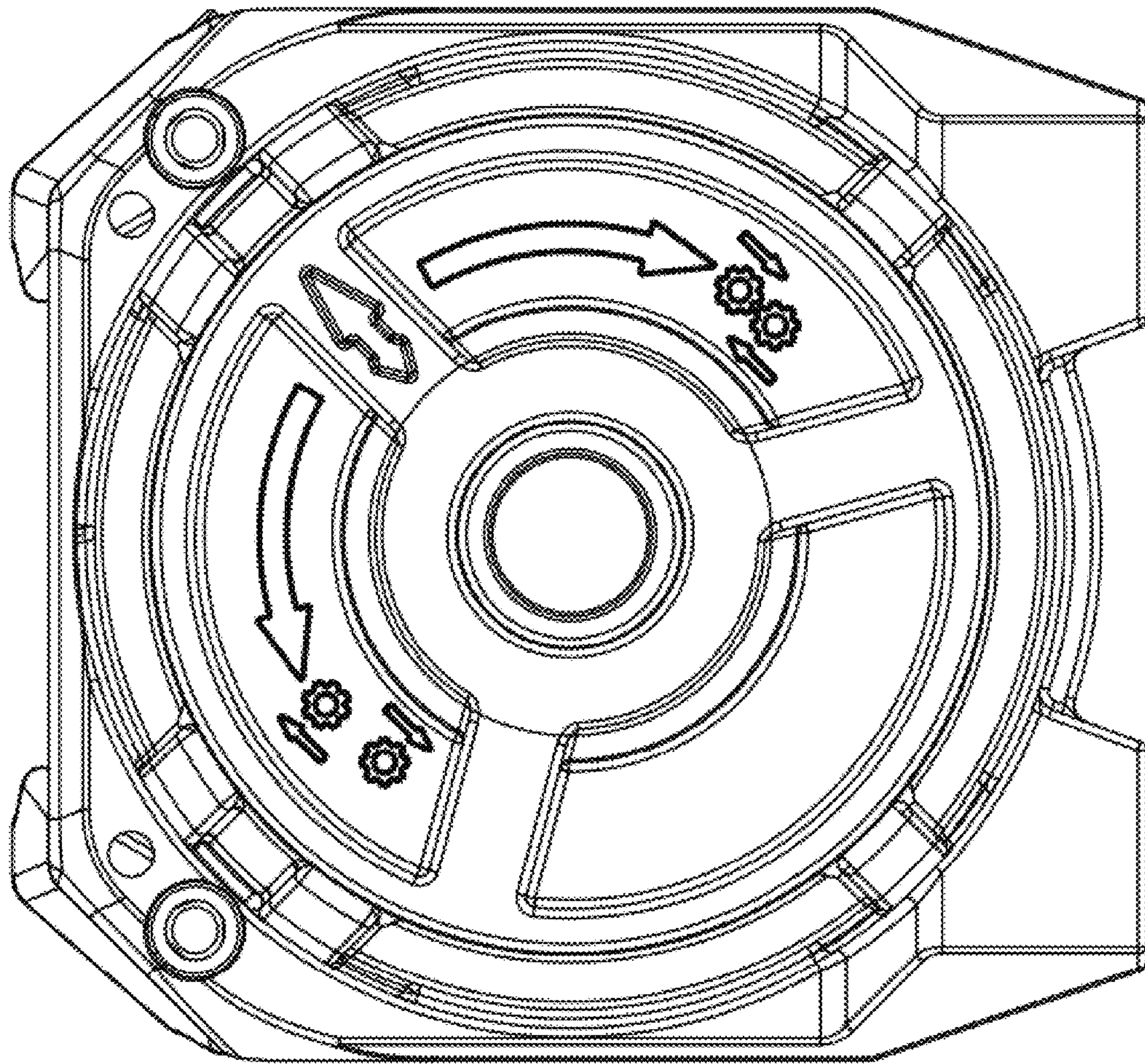


FIG. 4

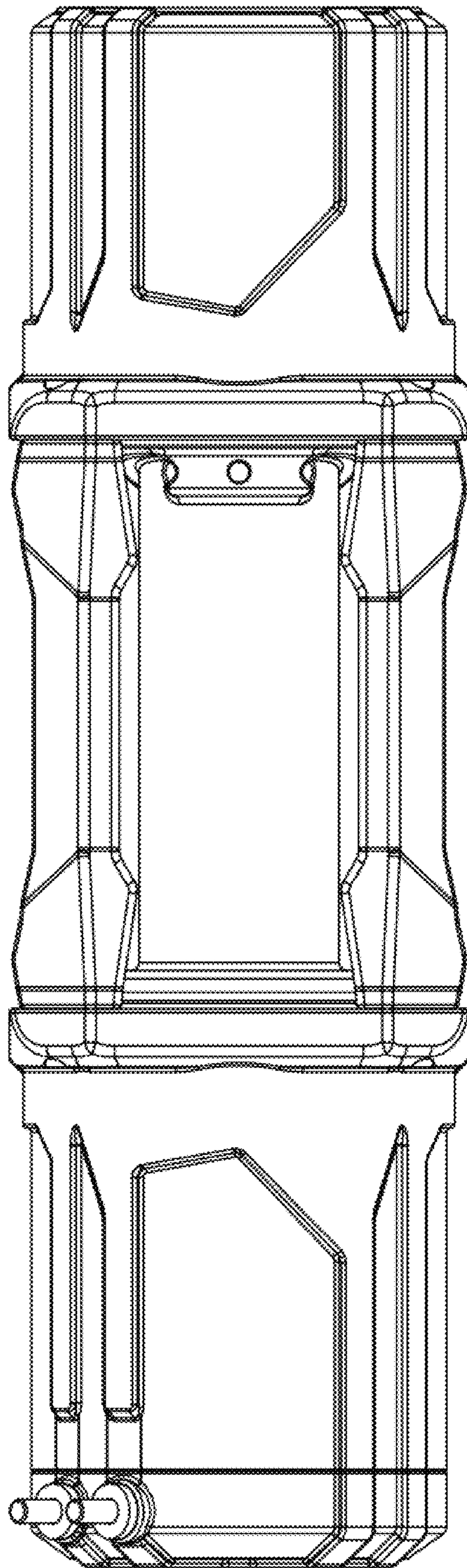


FIG. 5

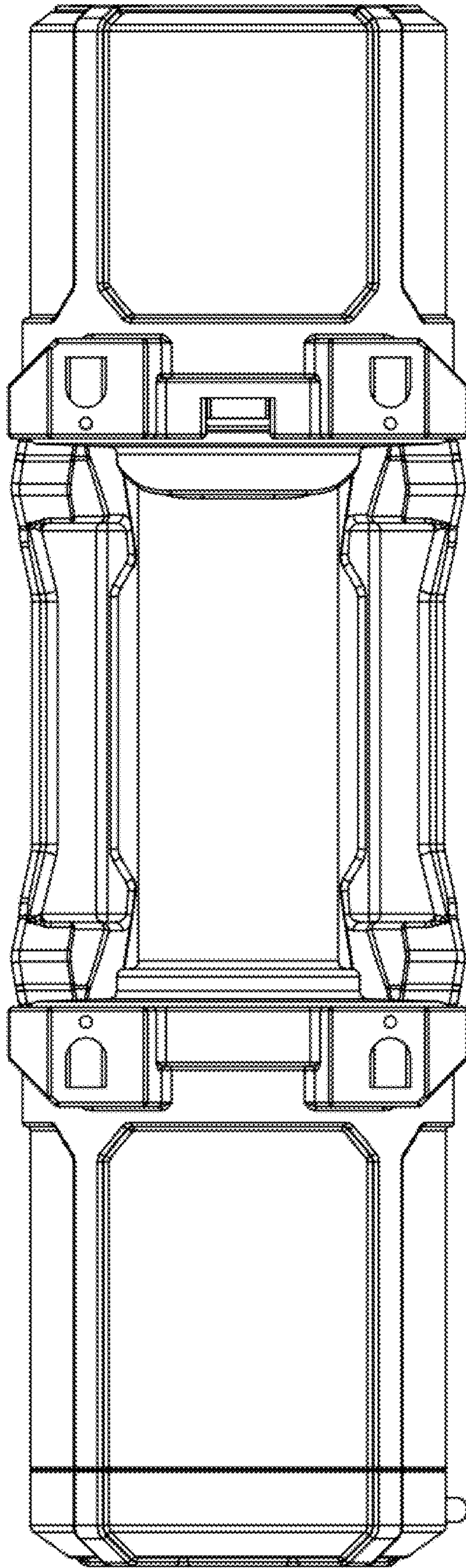


FIG. 6

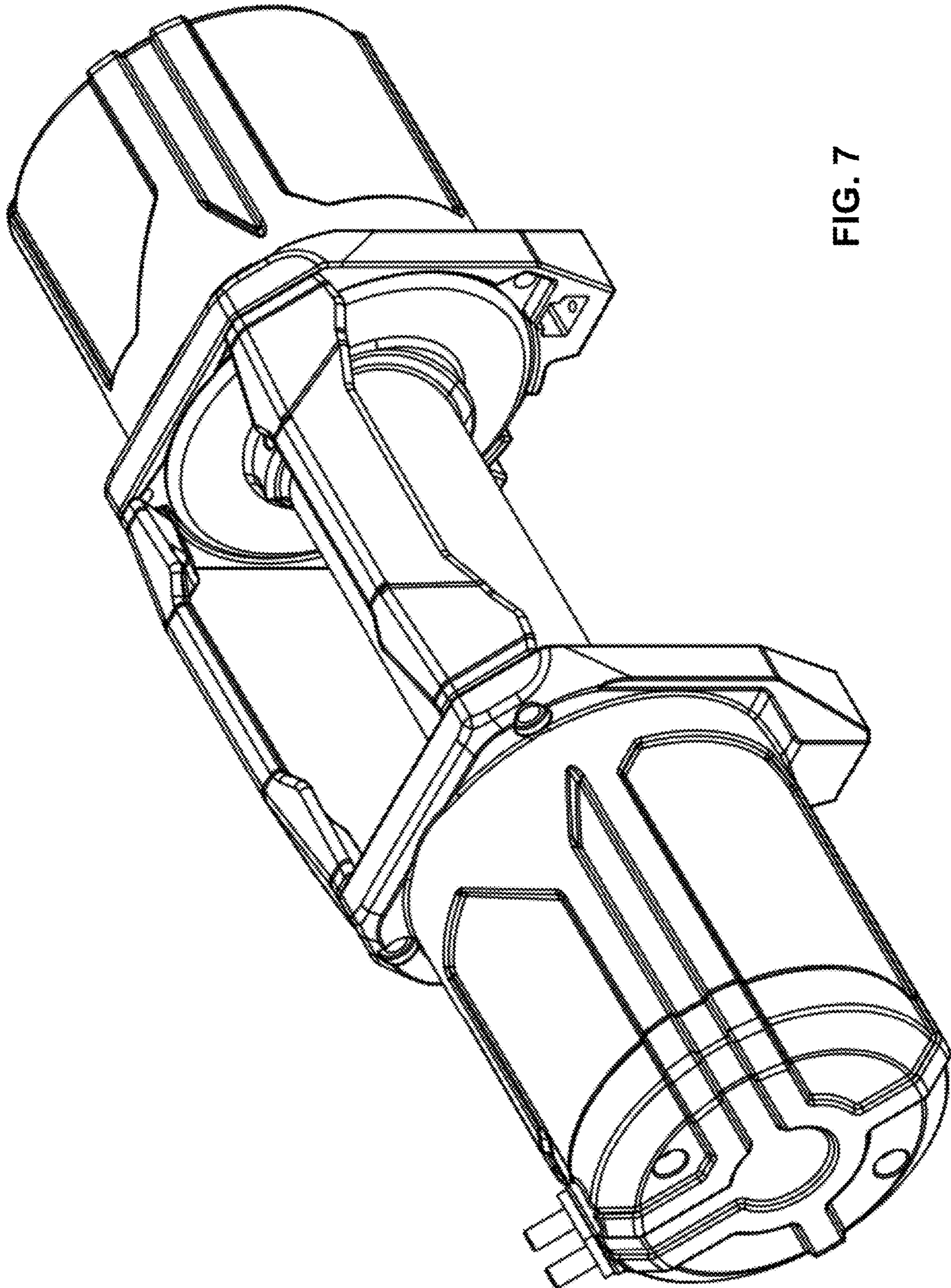


FIG. 7

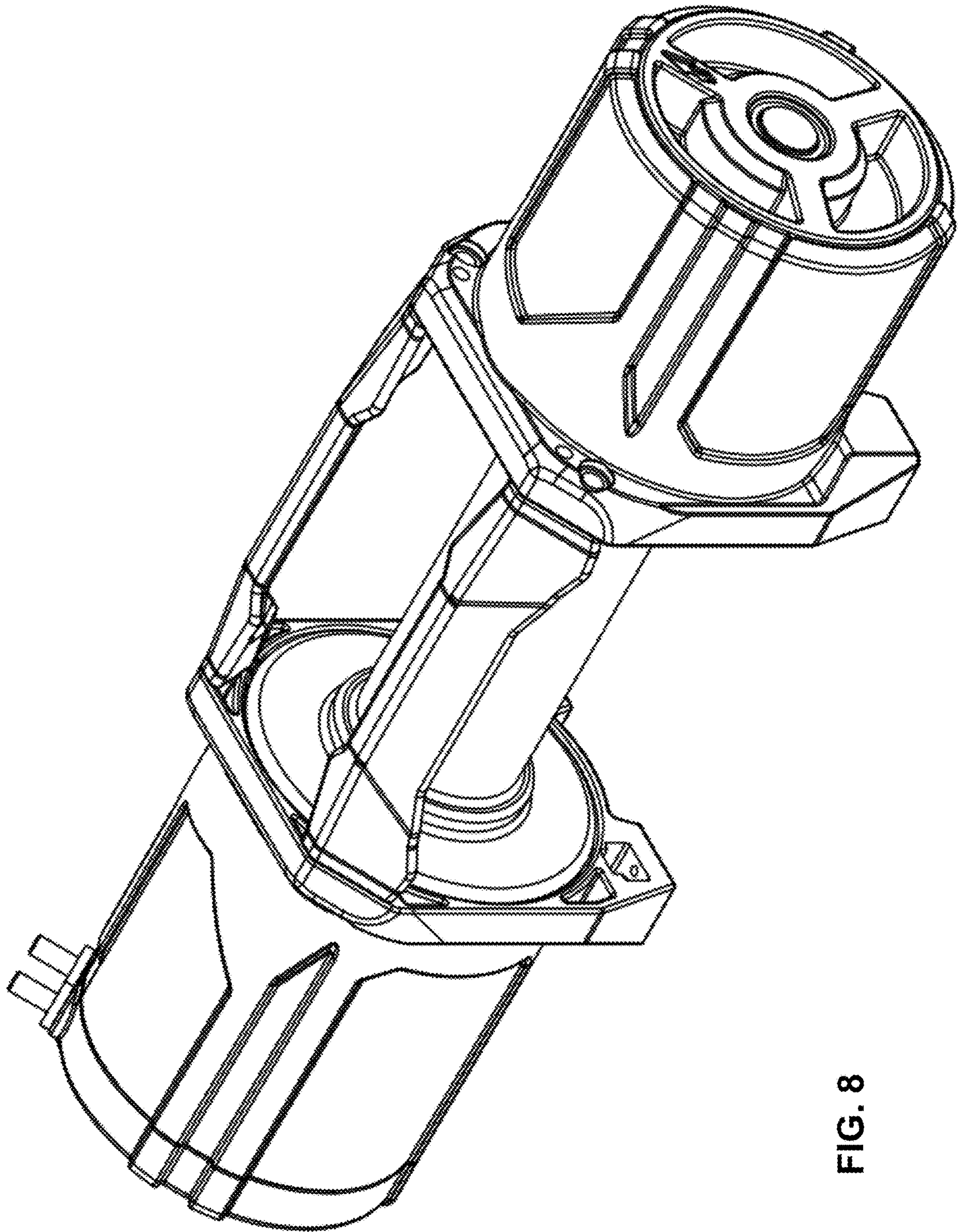


FIG. 8