



US00D903220S

(12) **United States Design Patent** (10) **Patent No.:** **US D903,220 S**
Hendrickson et al. (45) **Date of Patent:** **** Nov. 24, 2020**

(54) **CREEPER**
(71) Applicants: **Joel W. Hendrickson**, Bear River City, UT (US); **Travis L. Hendrickson**, Bear River City, UT (US)
(72) Inventors: **Joel W. Hendrickson**, Bear River City, UT (US); **Travis L. Hendrickson**, Bear River City, UT (US)
(**) Term: **15 Years**
(21) Appl. No.: **29/718,177**
(22) Filed: **Dec. 20, 2019**

5,895,062 A * 4/1999 Miles B25H 5/00
280/32.6
6,095,532 A 8/2000 Martin 280/32.6
6,105,719 A 8/2000 Lensing 182/116
6,199,877 B1 3/2001 Shockley 280/32.6
6,425,590 B1 7/2002 Whiteside et al. 280/32.6
6,578,857 B1 6/2003 Whiteside et al. 280/32.6
6,641,146 B2 11/2003 Reese 280/32.6
6,702,305 B2 3/2004 Miles 280/32.6
6,824,149 B1 11/2004 Whitlock et al. 280/32.6
6,834,868 B1 12/2004 Blackburn 280/32.6
6,969,077 B2 11/2005 Liu 280/30
7,025,421 B1 4/2006 Fowler et al. 297/354.13
D521,206 S * 5/2006 Obbitts B25H 5/00
D34/23
7,188,843 B2 3/2007 Magness B25H 5/00
D556,419 S * 11/2007 Whiteside B25H 5/00
D34/23
7,374,181 B1 * 5/2008 Wu B25H 5/00
280/32.5

Related U.S. Application Data

(63) Continuation-in-part of application No. 15/947,784, filed on Apr. 7, 2018, now abandoned.
(51) **LOC (12) Cl.** **12-02**
(52) **U.S. Cl.**
USPC **D34/23**
(58) **Field of Classification Search**
USPC D34/23; D29/124
CPC A47C 1/026; A47C 9/027; B25H 5/00
See application file for complete search history.

(Continued)

FOREIGN PATENT DOCUMENTS

GB 2198994 6/1988 B62B 11/00
JP 10-155595 6/1998 A47C 9/00

(Continued)

Primary Examiner — Cynthia Ramirez
(74) *Attorney, Agent, or Firm* — Michael R. Schramm

(56) **References Cited**

U.S. PATENT DOCUMENTS

2,710,758 A 6/1955 Stettner
3,148,892 A 9/1964 Merriott
4,555,138 A 11/1985 Hughes 297/346
4,895,380 A 1/1990 Brooks et al. 280/32.6
5,108,118 A 4/1992 Schaevitz 280/32.6
5,515,789 A 5/1996 Brochand et al. 104/184
5,632,521 A 5/1997 Archambault et al. 296/65.1
5,707,067 A 1/1998 Smith 280/32.6
RE35,732 E 2/1998 Shockley 280/32.6
D406,432 S * 3/1999 Taylor B25H 5/00
D34/23

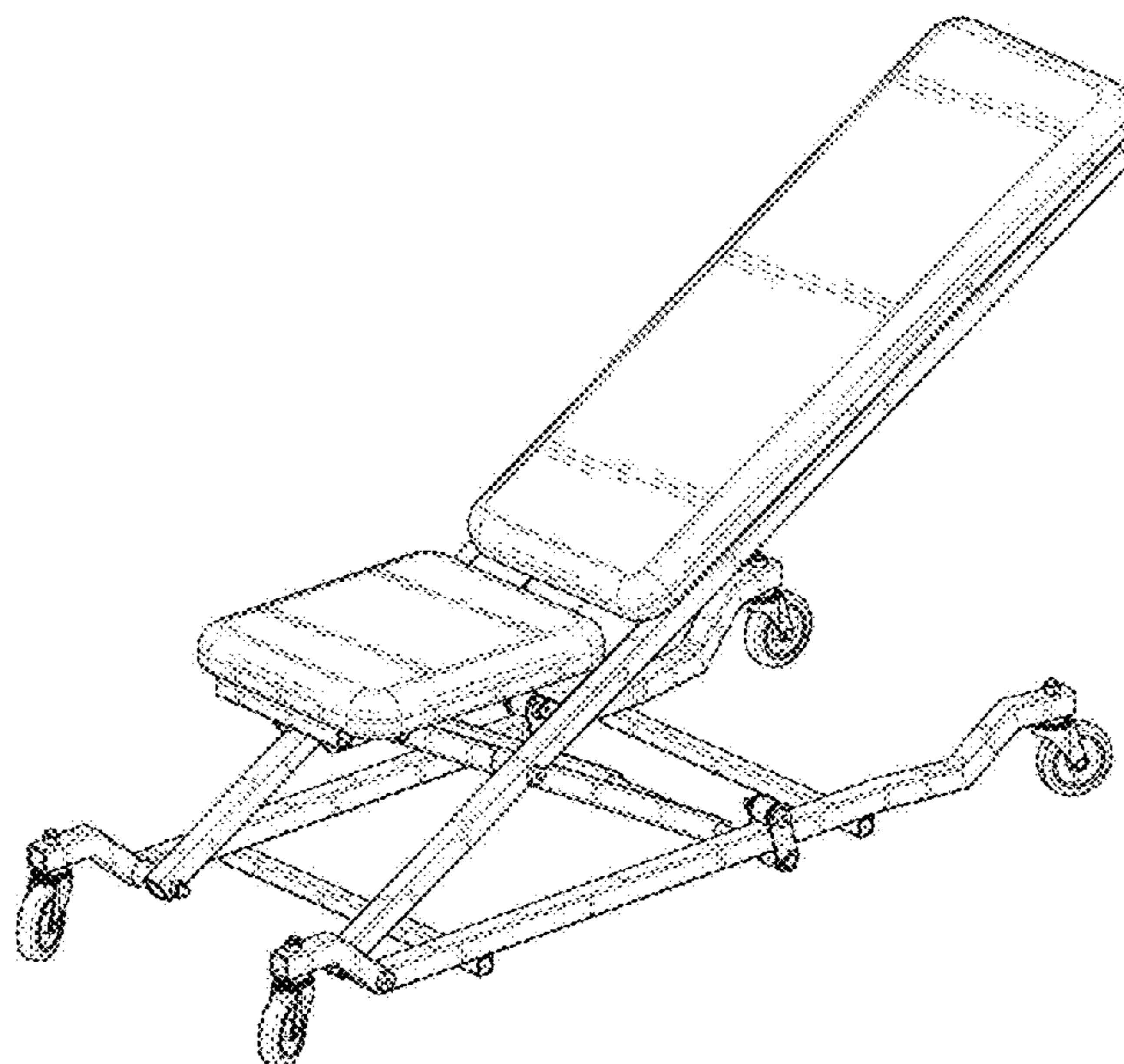
(57) **CLAIM**

The ornamental design for a creeper, as shown and described.

DESCRIPTION

FIG. 1 is a top, front and side perspective view showing our new design;
FIG. 2 is a right side view of the creeper;
FIG. 3 is a top view of the creeper; and,
FIG. 4 is a front view of the creeper.

1 Claim, 4 Drawing Sheets



(56)

References Cited

U.S. PATENT DOCUMENTS

7,481,436	B2	1/2009	May et al.	277/606
7,914,384	B2	3/2011	Roodenburg et al.	472/43
8,777,237	B2	7/2014	Brittingham et al. ...	B25H 5/00
9,193,064	B2	11/2015	Dall'Armi et al.	B25H 5/00
10,202,268	B2	2/2019	Duff	B66F 11/044
2003/0168824	A1 *	9/2003	Miles	B25H 5/00 280/32.6
2004/0066020	A1 *	4/2004	Hernandez, Jr.	B25H 5/00 280/639
2005/0023780	A1 *	2/2005	Liu	B25H 5/00 280/32.6
2011/0227302	A1 *	9/2011	Gillespie	B25H 5/00 280/32.6
2012/0235371	A1	9/2012	Smith	B25H 5/00
2014/0339783	A1	11/2014	Dall'Armi et al.	B25H 5/00
2015/0084293	A1 *	3/2015	Huang	B25H 5/00 280/32.6
2017/0014991	A1 *	1/2017	Fuentes	B25H 5/00
2018/0036184	A1 *	2/2018	Christensen	A61G 1/0262
2018/0222037	A1	8/2018	Hendrickson et al. ..	B25H 5/00

FOREIGN PATENT DOCUMENTS

WO	WO198809709	12/1988	B25H 5/00
WO	WO199815391	4/1998	B25H 5/00

* cited by examiner

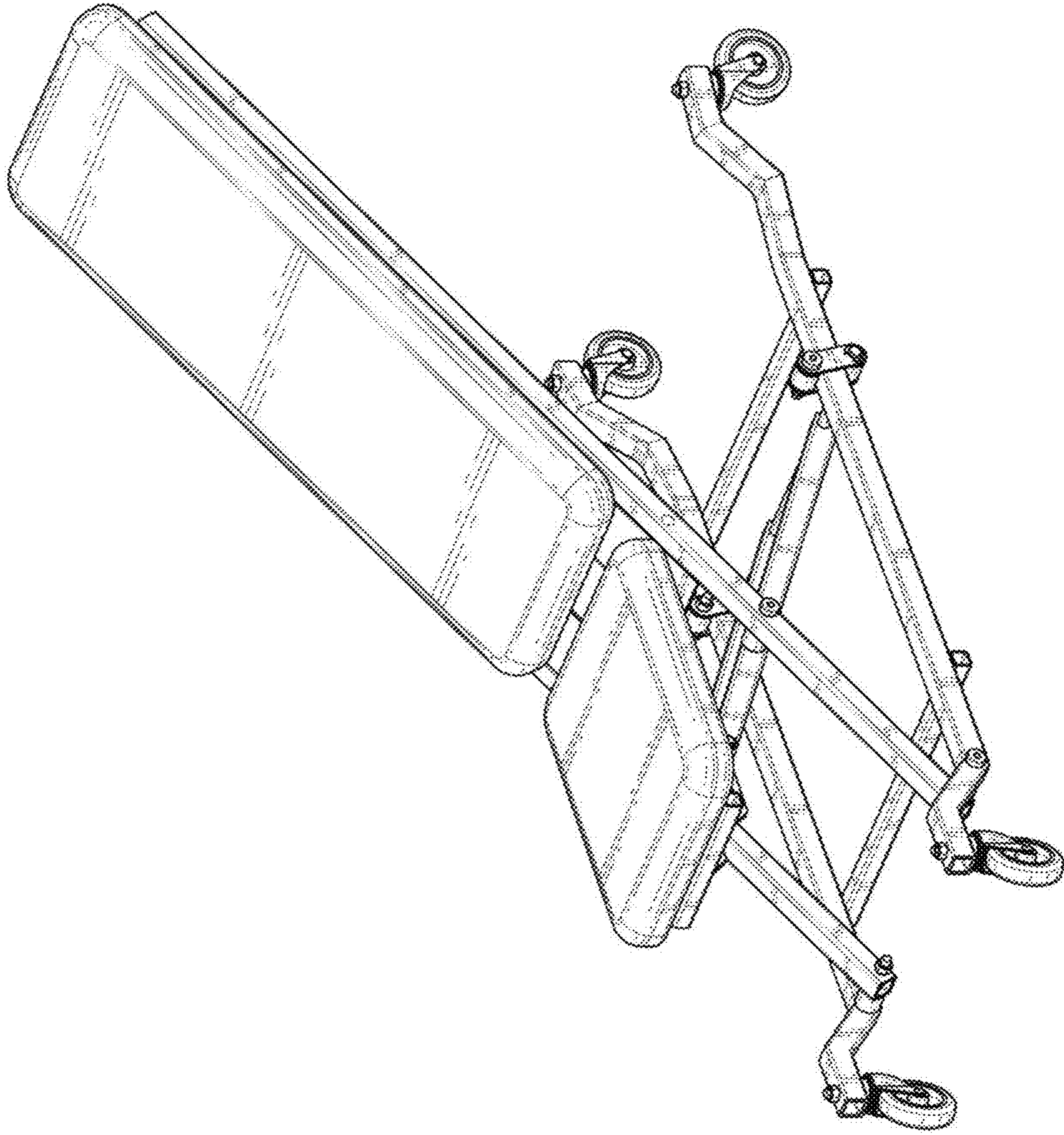


FIG. 1

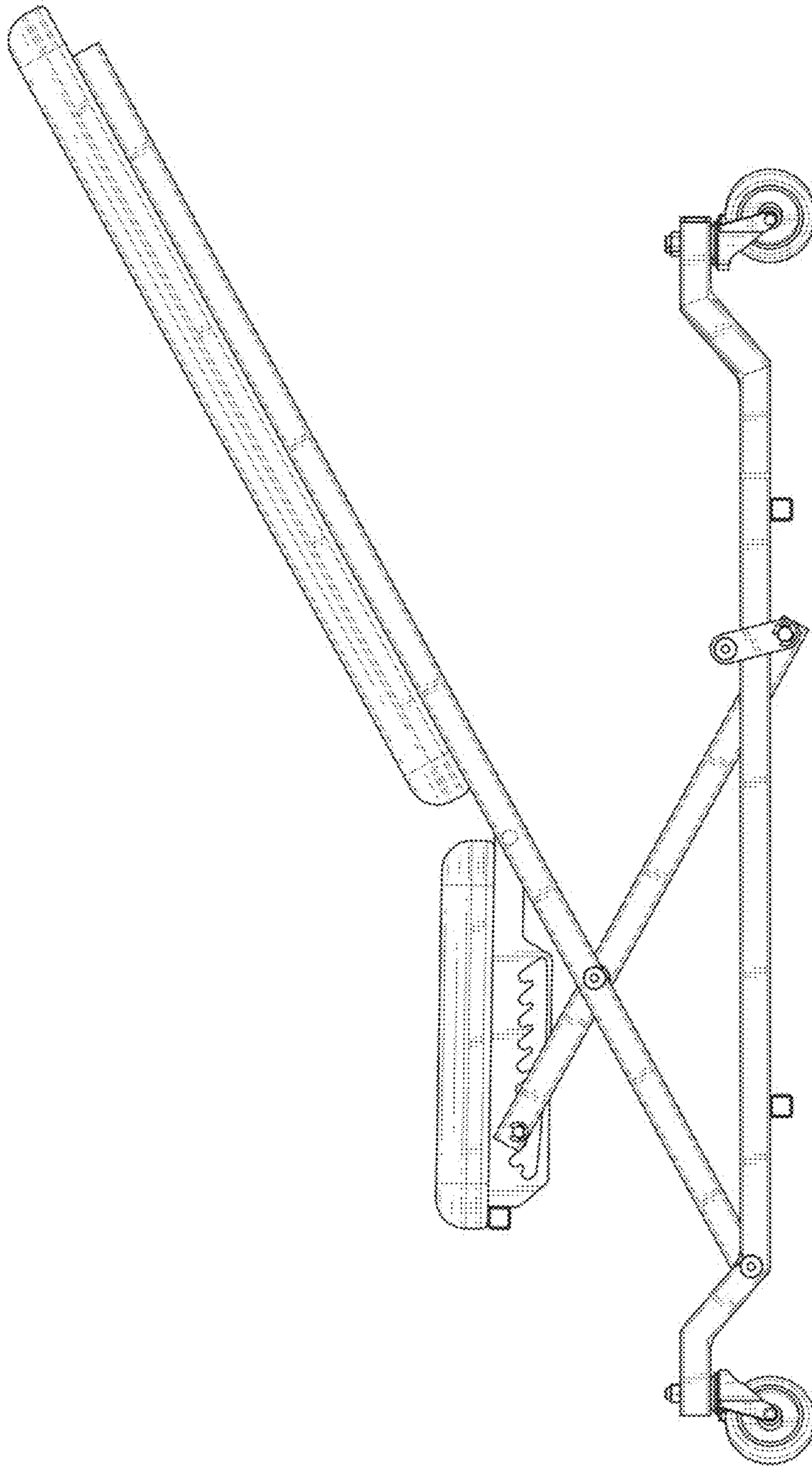


FIG. 2

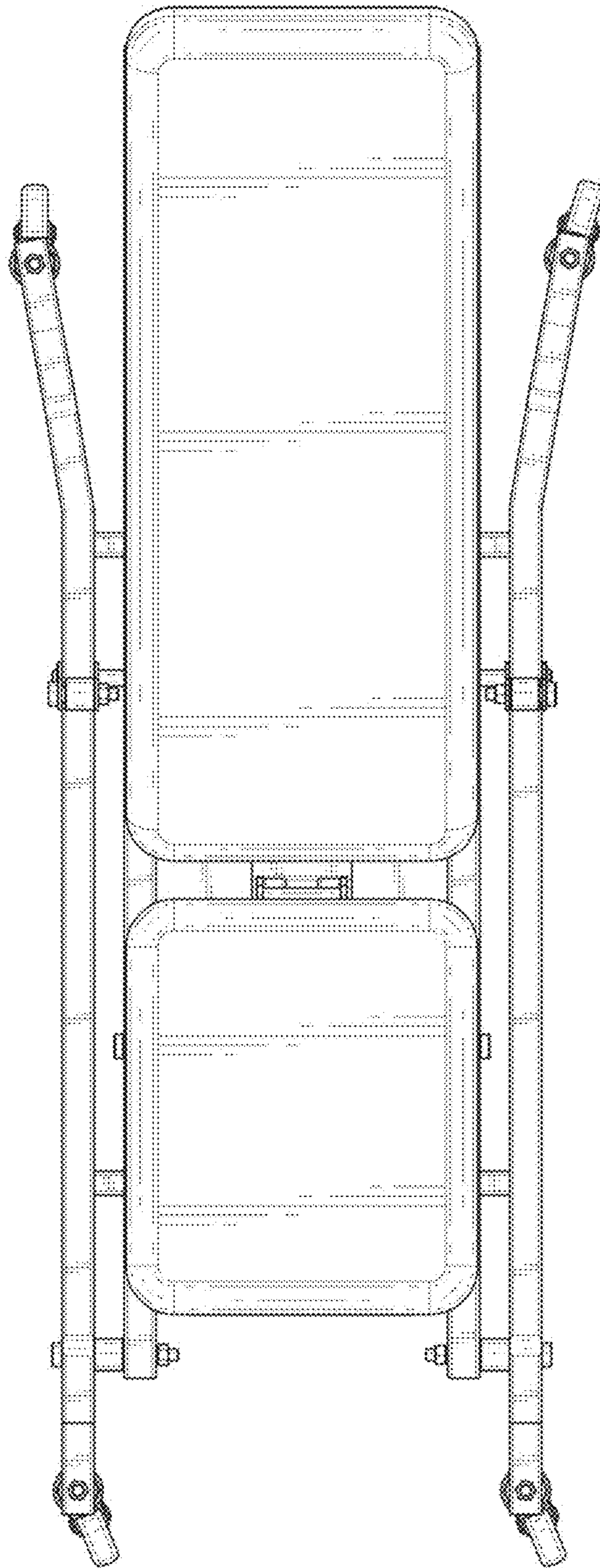


FIG. 3

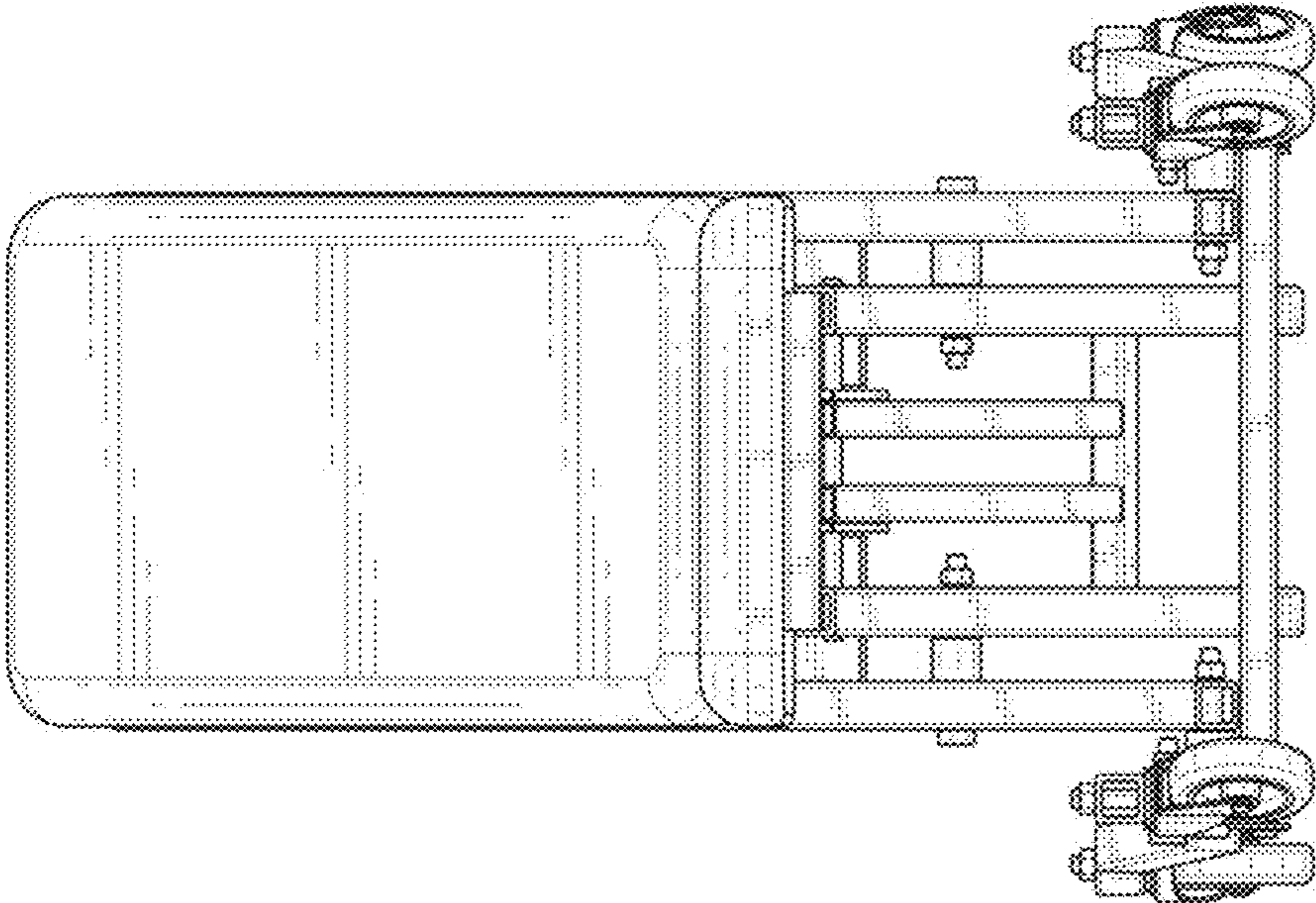


FIG. 4