



US00D903218S

(12) **United States Design Patent**
Heck et al.

(10) **Patent No.:** **US D903,218 S**
(45) **Date of Patent:** **** Nov. 24, 2020**

(54) **TROLLEY**

(56) **References Cited**

(71) Applicant: **OCADO INNOVATION LIMITED,**
Herts (GB)

U.S. PATENT DOCUMENTS

(72) Inventors: **Ashley Heck,** Herts (GB); **Megan Godwin,** Herts (GB); **Arash Sepahi,** Herts (GB)

D383,336 S *	9/1997	Van Der Merwe	D34/21
D406,217 S *	3/1999	Campbell	D34/24
D707,913 S *	6/2014	Gonzalez	D34/21
D827,971 S *	9/2018	Stubbs, II	D34/21
D858,925 S *	9/2019	Sukhov	D34/12
D858,926 S *	9/2019	Sukhov	D34/12
10,486,724 B2 *	11/2019	Dardashti	B62B 3/022

(73) Assignee: **OCADO INNOVATION LIMITED,**
Herts (GB)

* cited by examiner

(**) Term: **15 Years**

Primary Examiner — Gino Colan

(21) Appl. No.: **29/680,081**

(74) *Attorney, Agent, or Firm* — Buchanan Ingersoll & Rooney PC

(22) Filed: **Feb. 13, 2019**

(57) **CLAIM**

The ornamental design for a trolley, as shown and described.

(30) **Foreign Application Priority Data**

DESCRIPTION

Aug. 13, 2018 (GB) 6041346

(51) **LOC (12) Cl.** **12-02**

(52) **U.S. Cl.**
USPC **D34/21**

(58) **Field of Classification Search**
USPC D34/12, 16, 17, 19-27; 280/79.2, 79.5,
280/79.3, 43.17, 30, 5.32, 651, 47.35,
280/47.26; D6/515

CPC .. B62B 3/02; B62B 1/12; B62B 3/005; B62B
2205/006; A47F 5/0056; A47F 5/13

See application file for complete search history.

FIG. 1 is a front, right perspective view of a trolley showing our new design;
FIG. 2 is a rear, left perspective view thereof;
FIG. 3 is a front elevational view thereof;
FIG. 4 is a rear elevational view thereof;
FIG. 5 is a right side elevational view thereof;
FIG. 6 is a left side elevational view thereof;
FIG. 7 is a top plan view thereof; and,
FIG. 8 is a bottom plan view thereof.

1 Claim, 8 Drawing Sheets

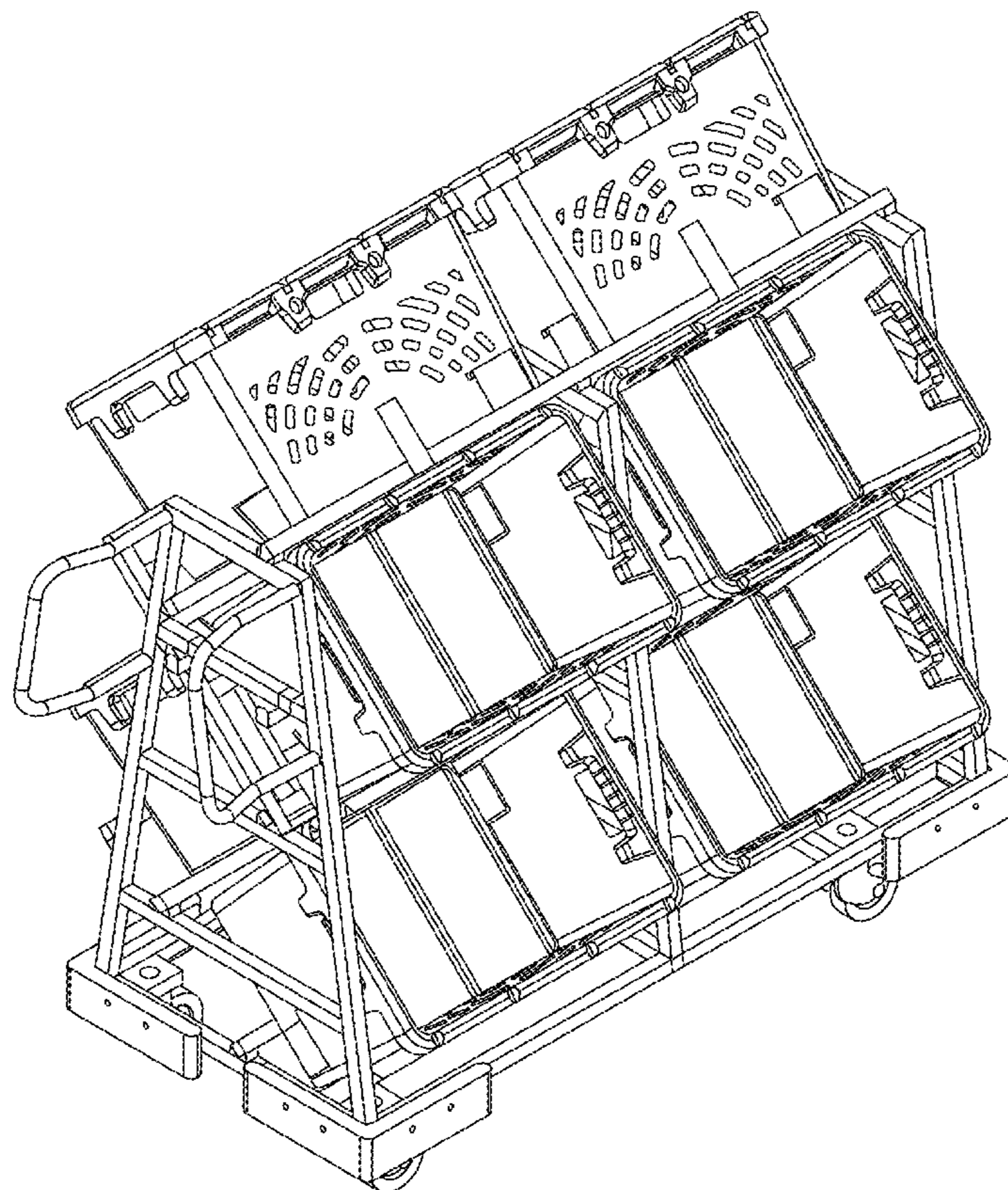


FIG. 1

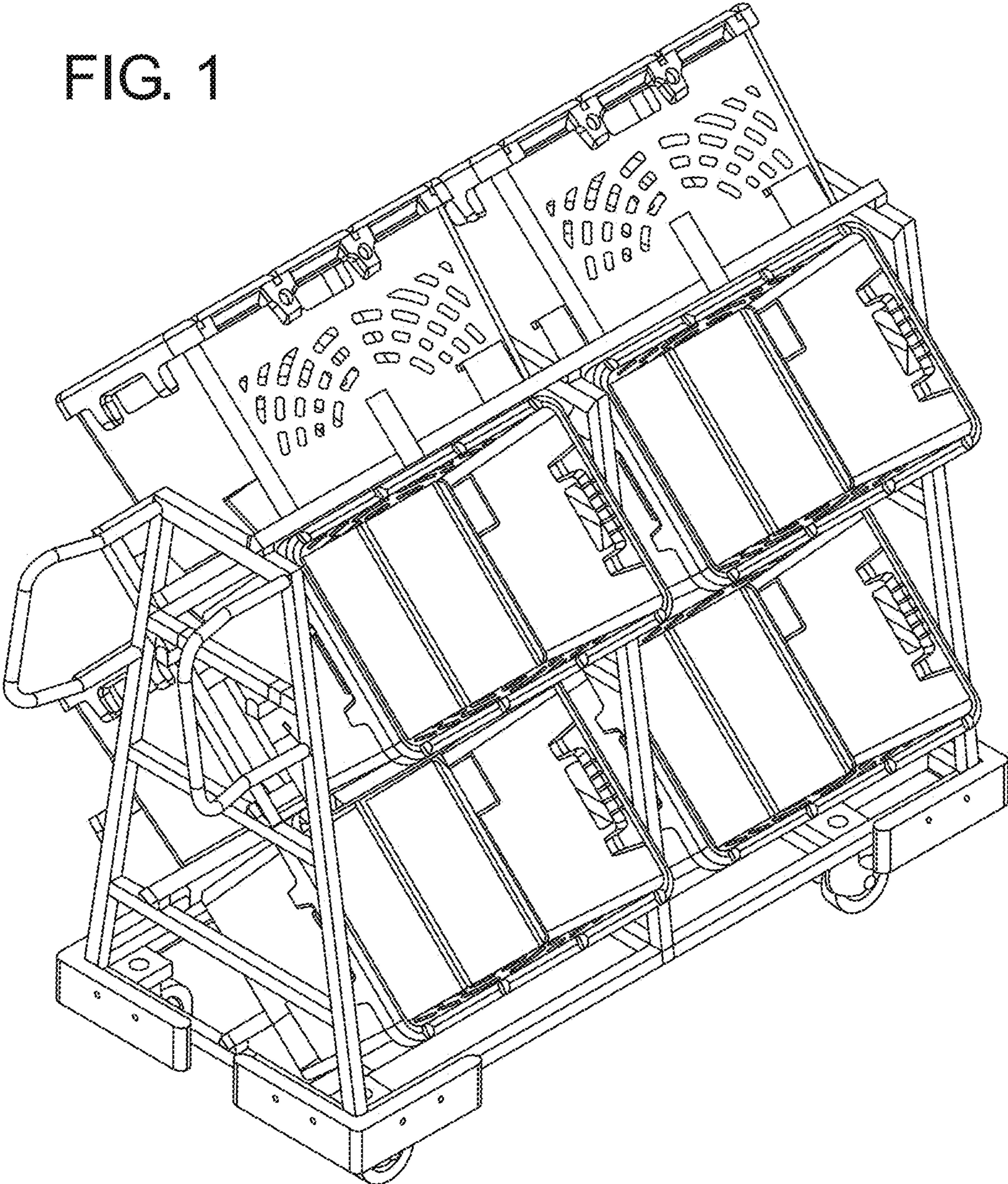
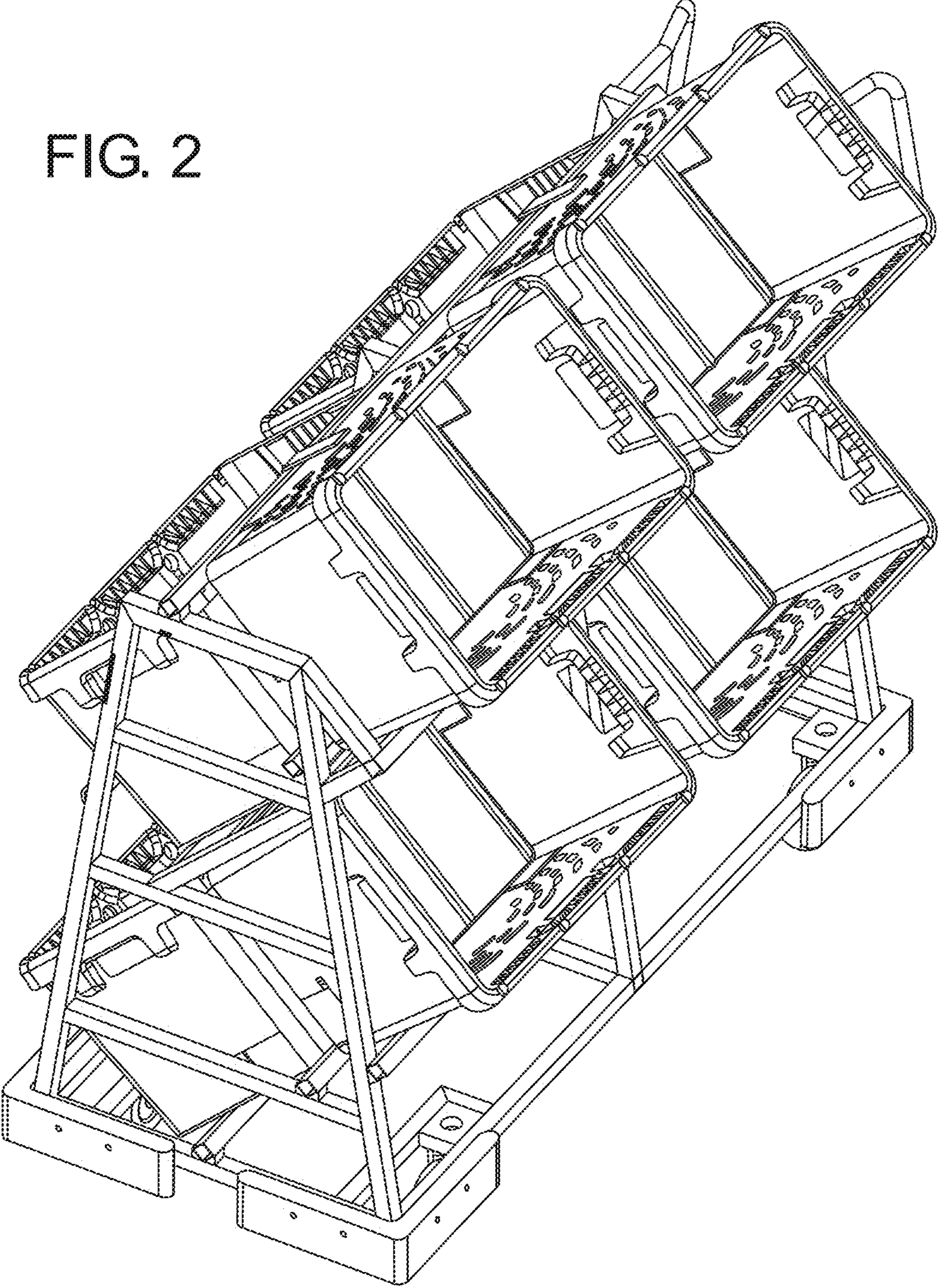


FIG. 2



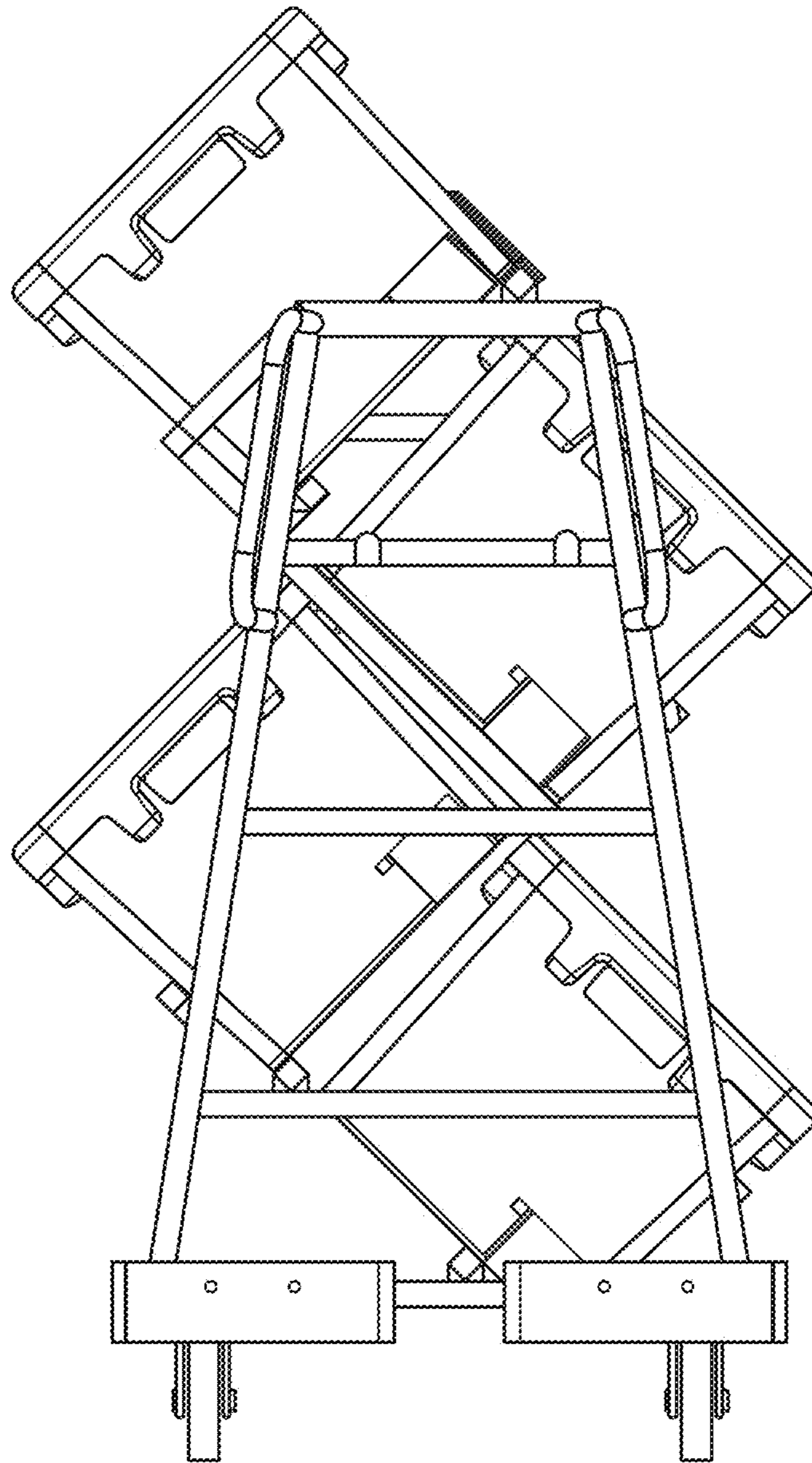


FIG. 3

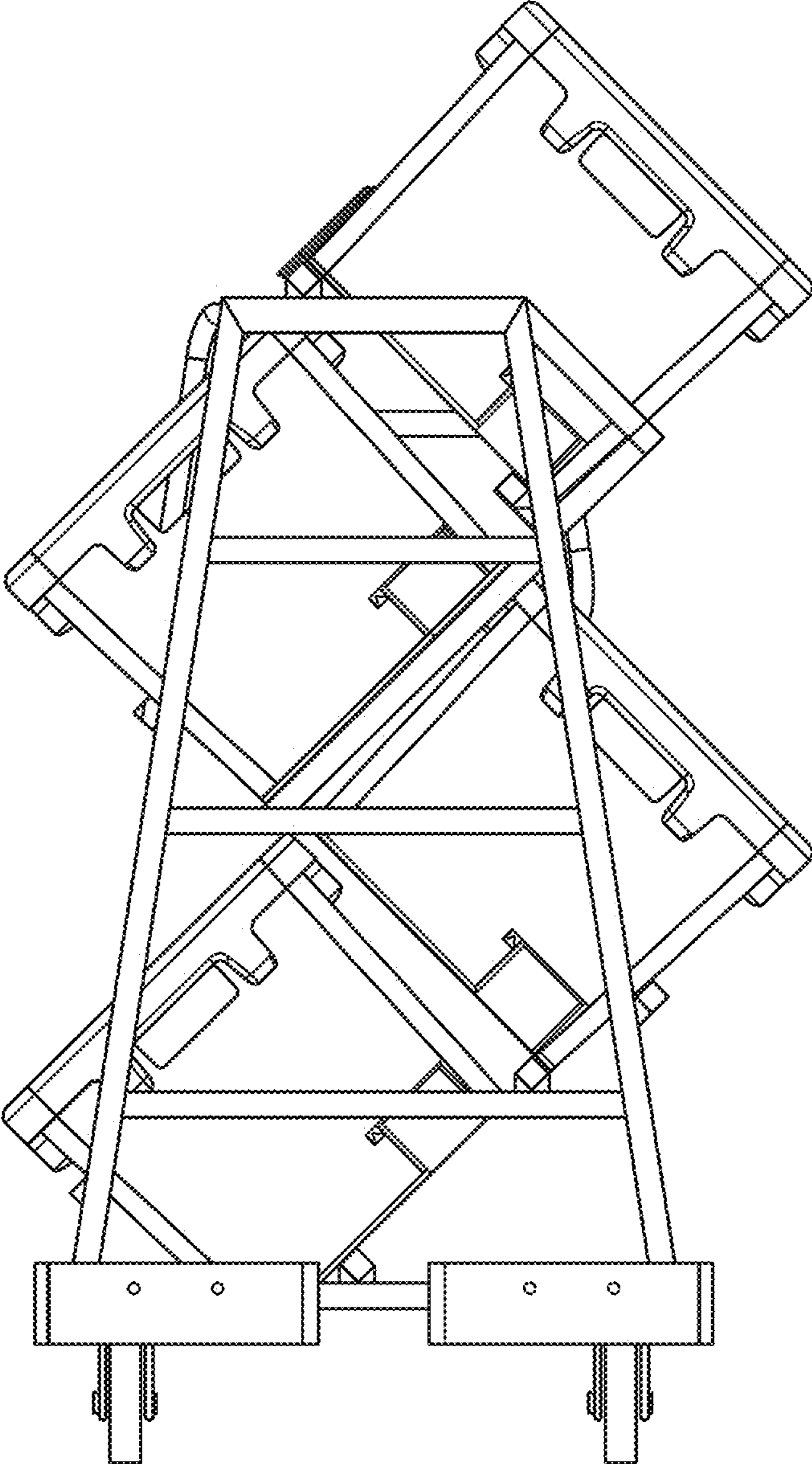


FIG. 4

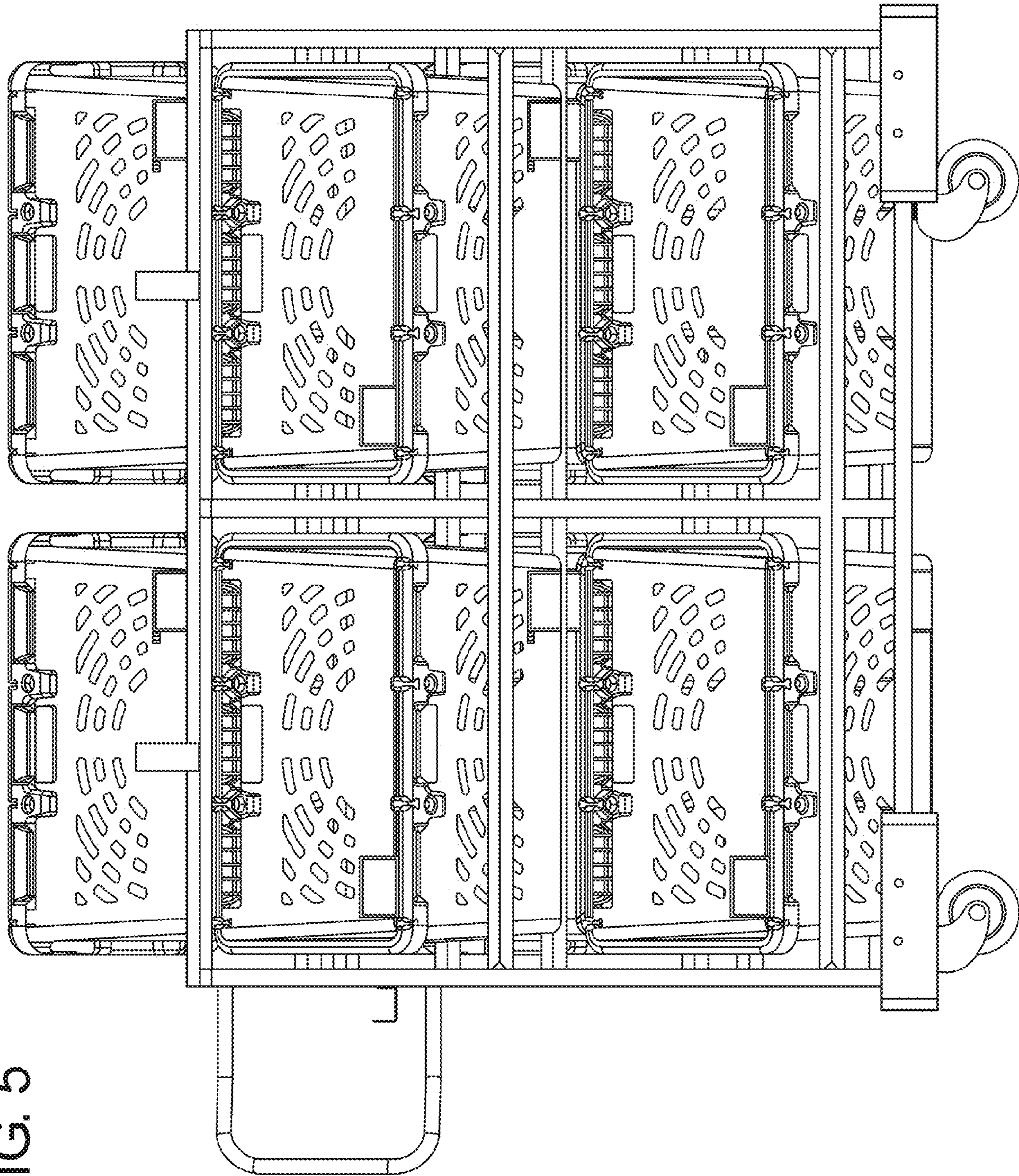


FIG. 5

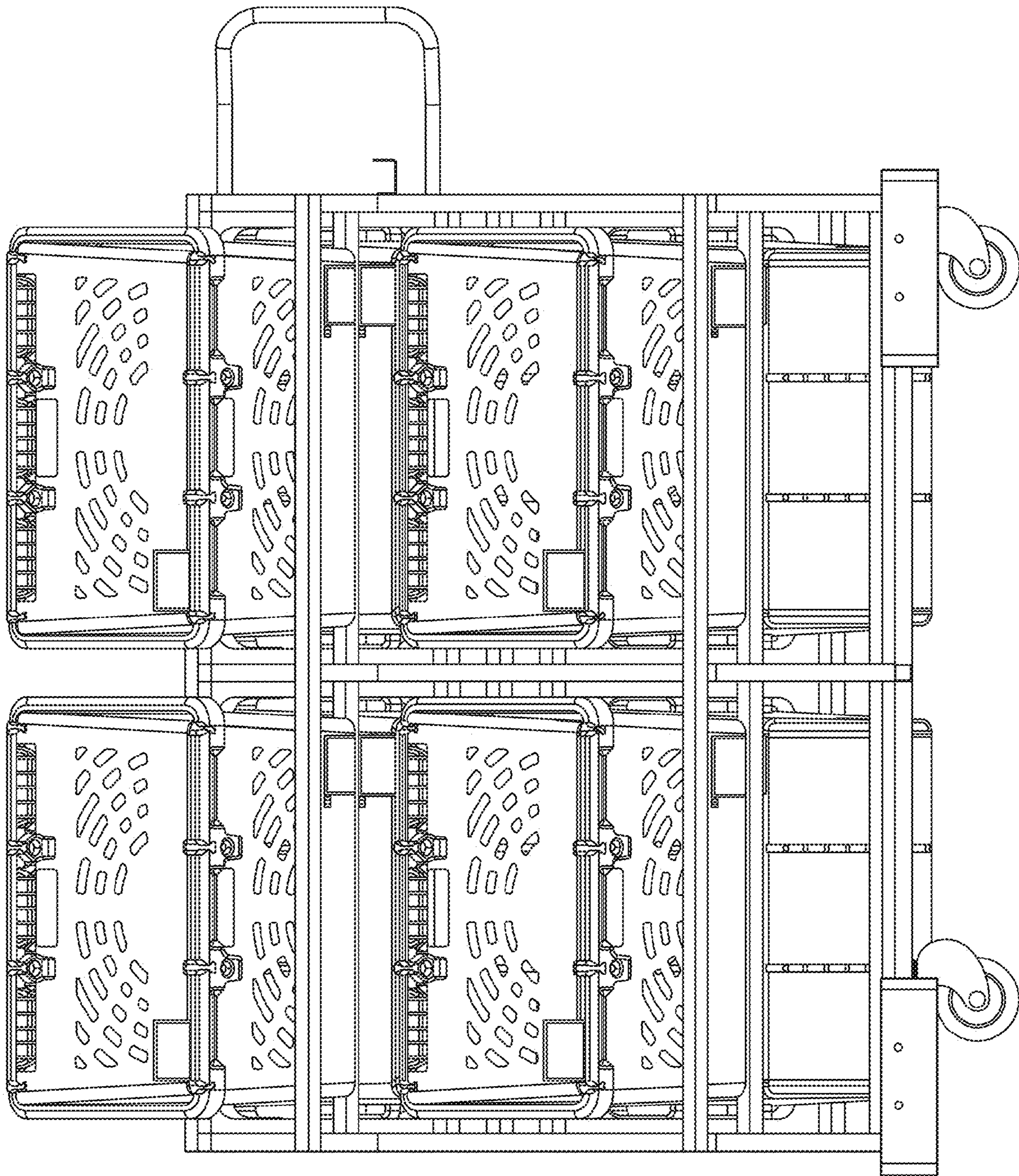


FIG. 6

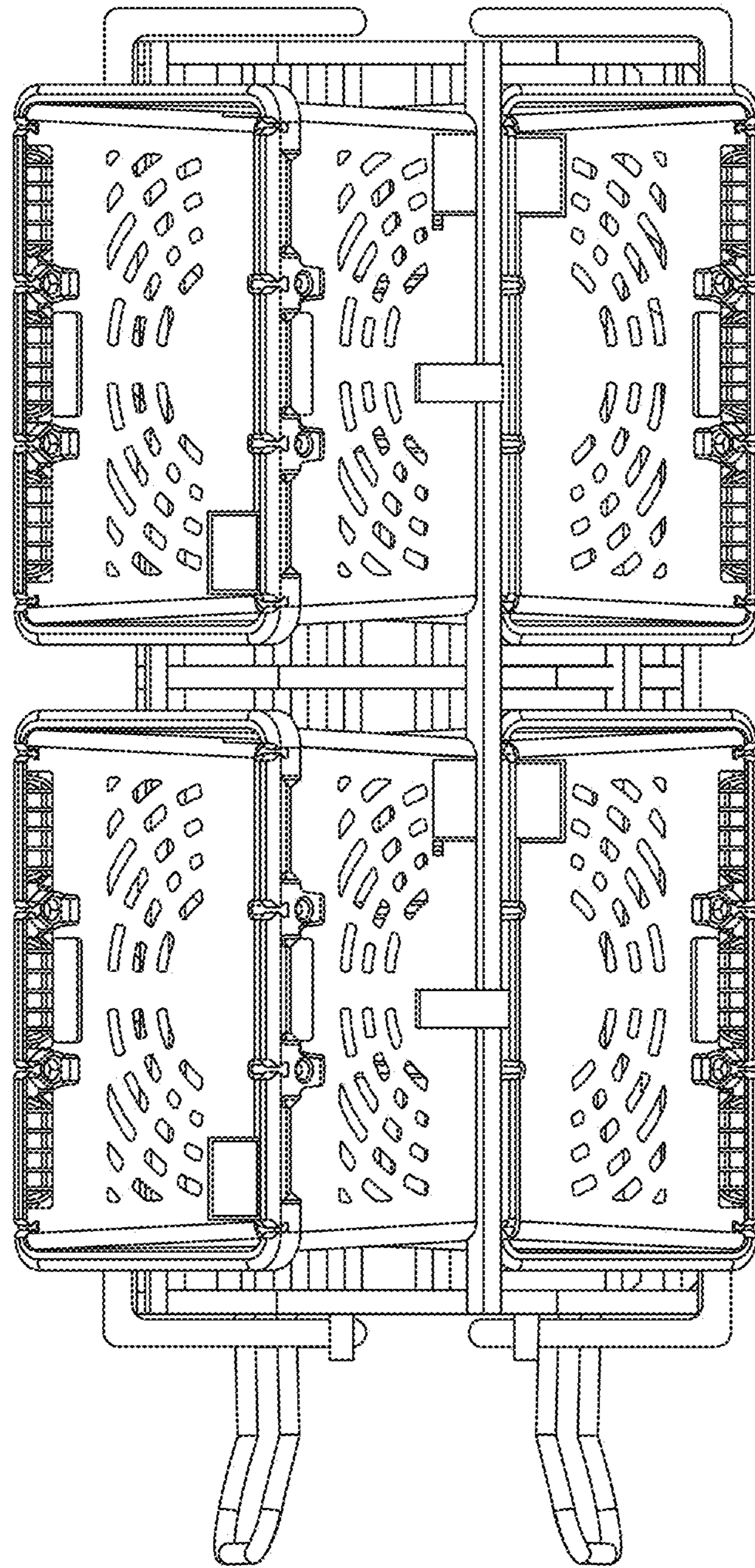


FIG. 7

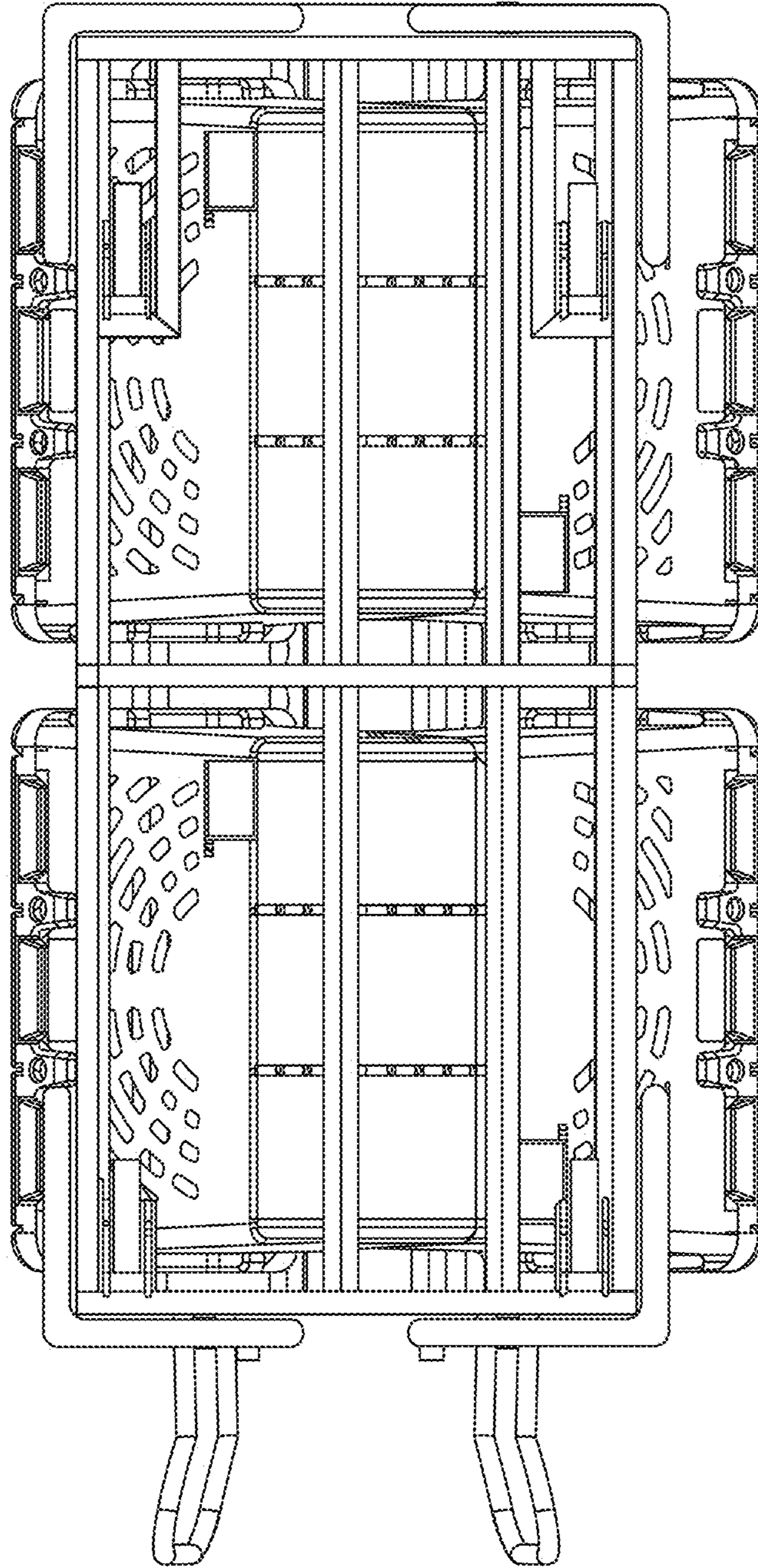


FIG. 8