



US00D903217S

(12) **United States Design Patent** (10) **Patent No.:** **US D903,217 S**  
**Smeets** (45) **Date of Patent:** **\*\* Nov. 24, 2020**

(54) **BIN** 10,710,800 B2 \* 7/2020 Wegner ..... B65F 1/06  
2011/0220648 A1 \* 9/2011 Yang ..... B65F 1/1638  
220/211  
(71) Applicant: **Brabantia Nederland B.V.,** 2012/0223078 A1 \* 9/2012 Chitayat ..... B65F 1/02  
Valkenswaard (NL) 220/476

(72) Inventor: **Joris Kristof Smeets,** Valkenswaard (NL)

(73) Assignee: **BRABANTIA NEDERLAND B.V.,** Valkenswaard (NL)

(\*\*) Term: **15 Years**

(21) Appl. No.: **29/677,149**

(22) Filed: **Jan. 17, 2019**

(51) **LOC (12) Cl.** ..... **09-09**

(52) **U.S. Cl.**  
USPC ..... **D34/7**

(58) **Field of Classification Search**  
USPC ..... D34/4, 5, 6, 7, 10, 11, 12, 13, 14;  
D6/330, 335, 601, 582, 686; D29/121.1  
CPC ..... B65F 1/16; B65F 1/1607; B65F 1/1615;  
B65F 1/004; B65F 2003/003; B65D  
21/0209; B65D 88/121; B65D 43/02;  
Y10S 220/908

See application file for complete search history.

(56) **References Cited**

**U.S. PATENT DOCUMENTS**

D580,613 S	*	11/2008	Yang	.....	D34/7
D675,803 S	*	2/2013	Yang	.....	D34/7
D765,937 S	*	9/2016	Chen	.....	D34/7
D790,145 S	*	6/2017	Chen	.....	D34/7
D809,729 S	*	2/2018	Chen	.....	D34/7
D835,374 S	*	12/2018	Yang	.....	D34/7
D849,350 S	*	5/2019	Smeets	.....	D34/7
D871,012 S	*	12/2019	Chen	.....	D34/7
D871,707 S	*	12/2019	Chen	.....	D34/7
D872,959 S	*	1/2020	Chen	.....	D34/7

**OTHER PUBLICATIONS**

Amazon Barbaria, announced 2019 [online], [site visited Apr. 29, 2020]. Available from internet, URL: <https://www.amazon.com/Brabantia-Touch-Inner-Bucket-Black/dp/B005RDF492?th=1#customerReviews> (Year: 2019).\*

Amazon Sensor, announced 2017 [online], [site visited Apr. 29, 2020]. Available from internet, URL: [https://www.amazon.com/SensorCan-OSC13SBSAC-Battery-Free-Automatic-Adapter-Touchless/dp/B073PNQDPM/ref=sr\\_1\\_14?dchild=1&keywords=no%2Btouch%2Btrash%2Bbin&qid=1587477079&sr=8-14&th=1](https://www.amazon.com/SensorCan-OSC13SBSAC-Battery-Free-Automatic-Adapter-Touchless/dp/B073PNQDPM/ref=sr_1_14?dchild=1&keywords=no%2Btouch%2Btrash%2Bbin&qid=1587477079&sr=8-14&th=1) (Year: 2017).\*

\* cited by examiner

*Primary Examiner* — George A Bugg

*Assistant Examiner* — Tamara L Hahn

(74) *Attorney, Agent, or Firm* — Abelman, Frayne & Schwab

(57) **CLAIM**

The ornamental design for a bin, as shown and described.

**DESCRIPTION**

FIG. 1 is a front, right, and top perspective view of a bin showing the new design;

FIG. 2 is a right side elevational view thereof;

FIG. 3 is front view thereof;

FIG. 4 is a left side elevational view thereof;

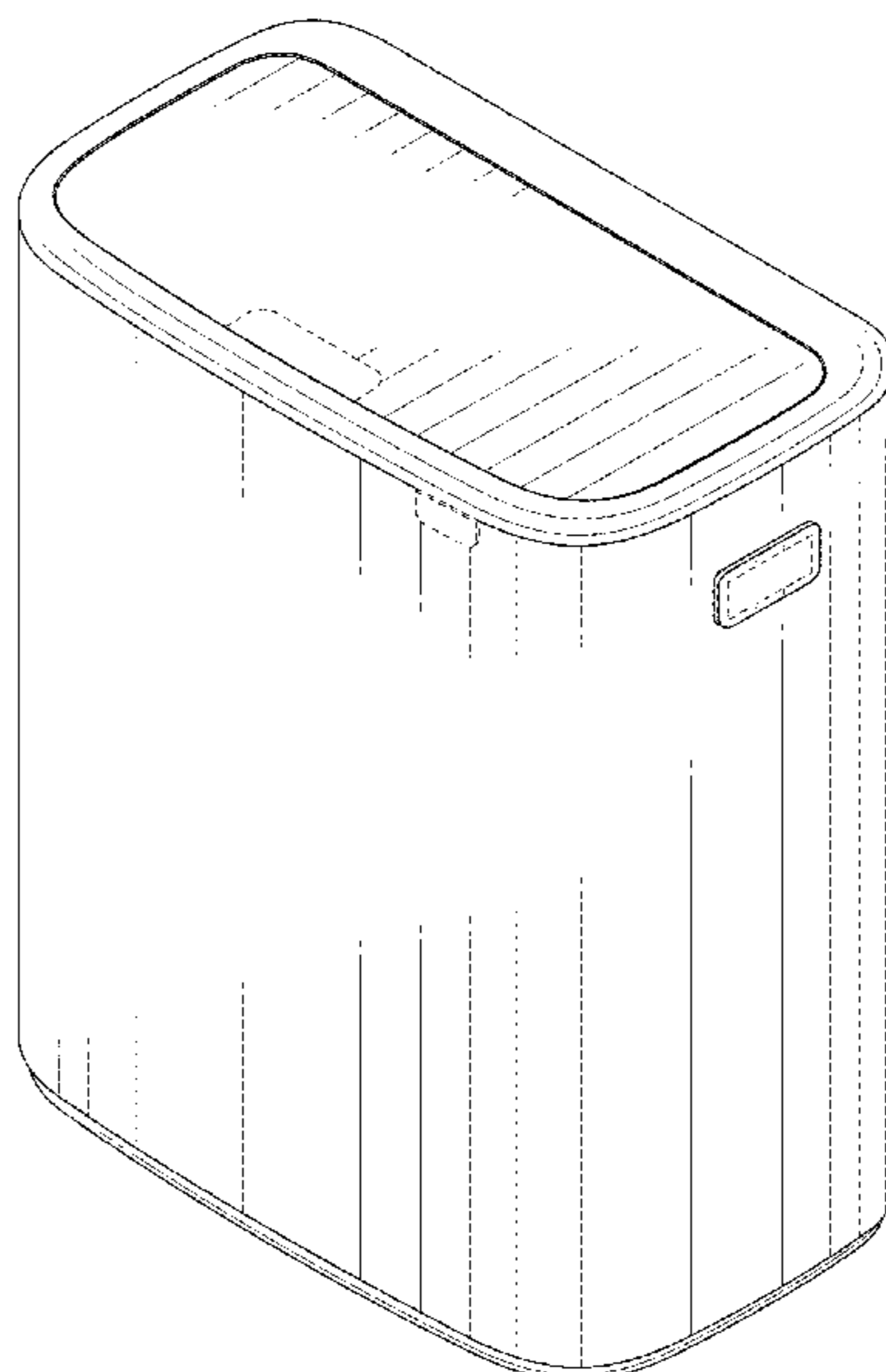
FIG. 5 is a rear view thereof;

FIG. 6 is a top view thereof; and,

FIG. 7 is a bottom view thereof.

The broken lines in the drawings depict portions of the bin that form no part of the claimed design.

**1 Claim, 7 Drawing Sheets**



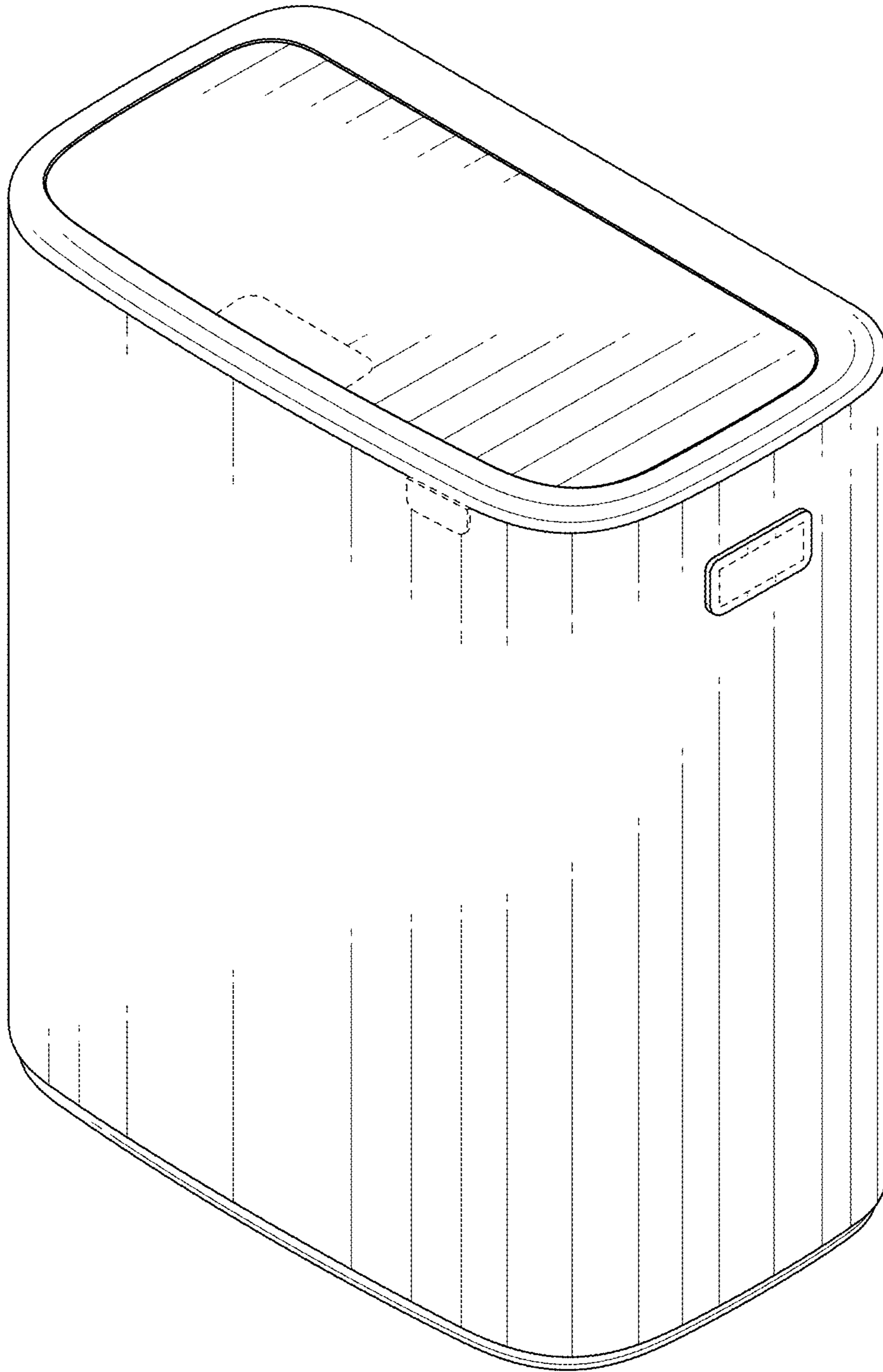


FIG. 1

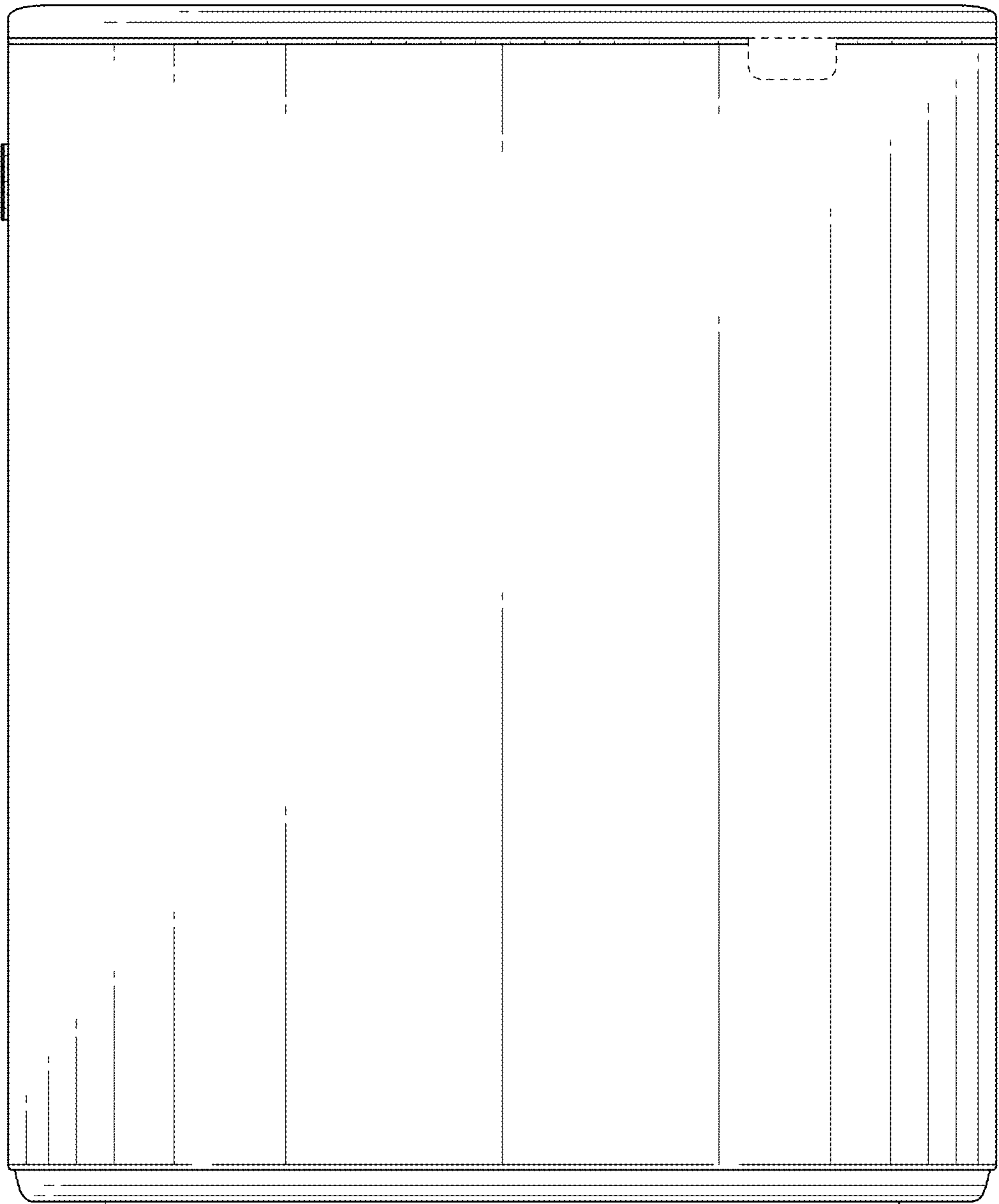


FIG. 2

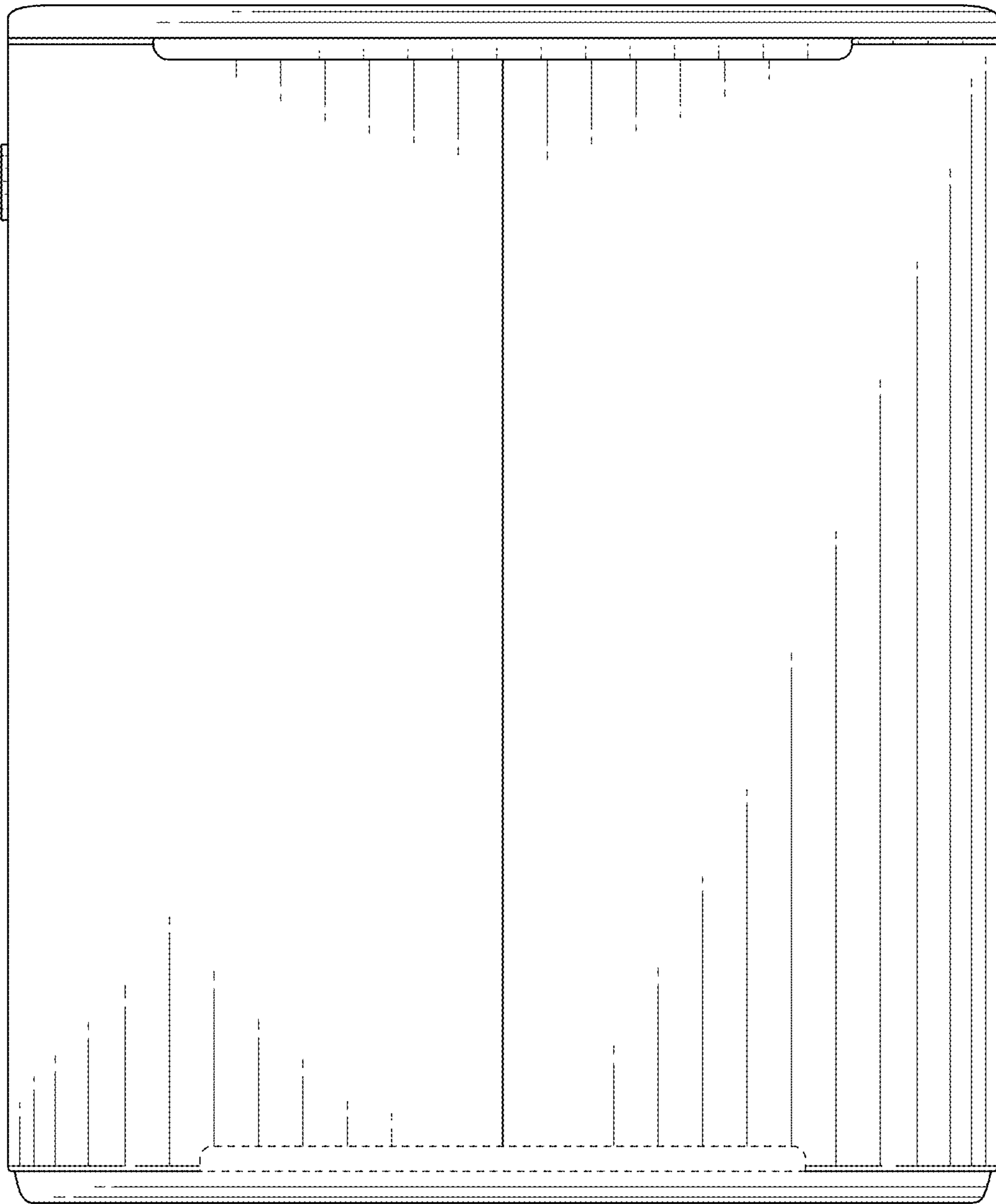


FIG. 3

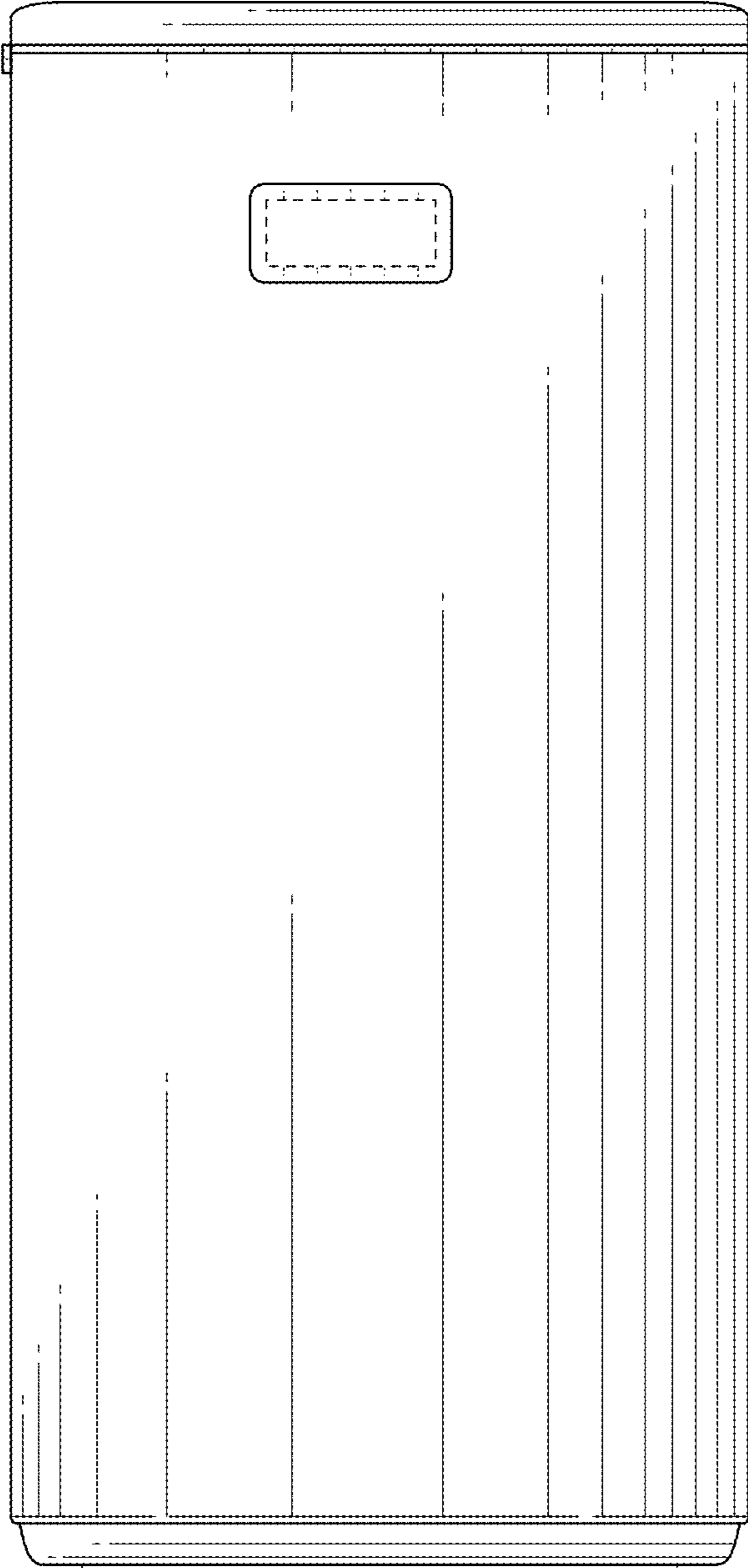


FIG. 4

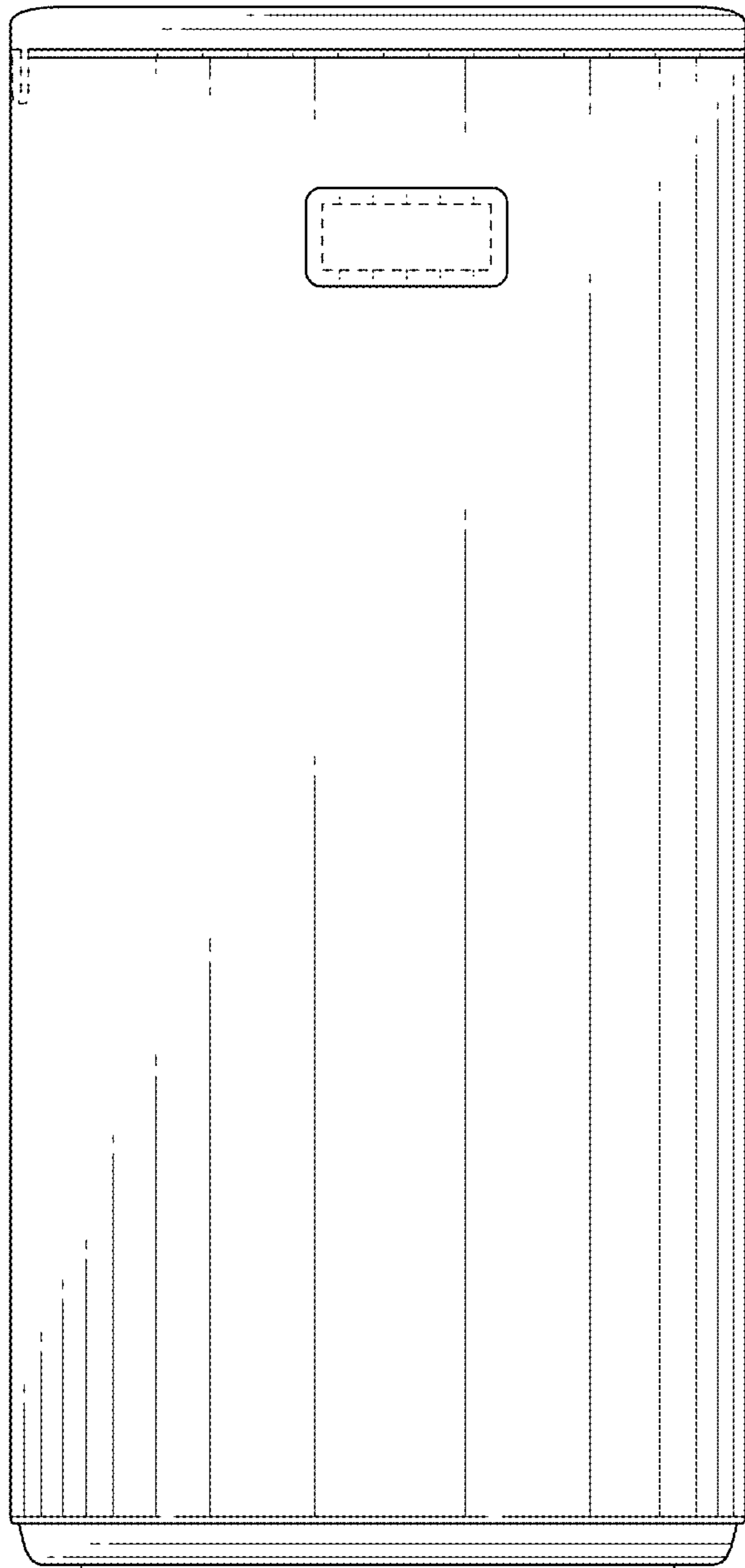


FIG. 5

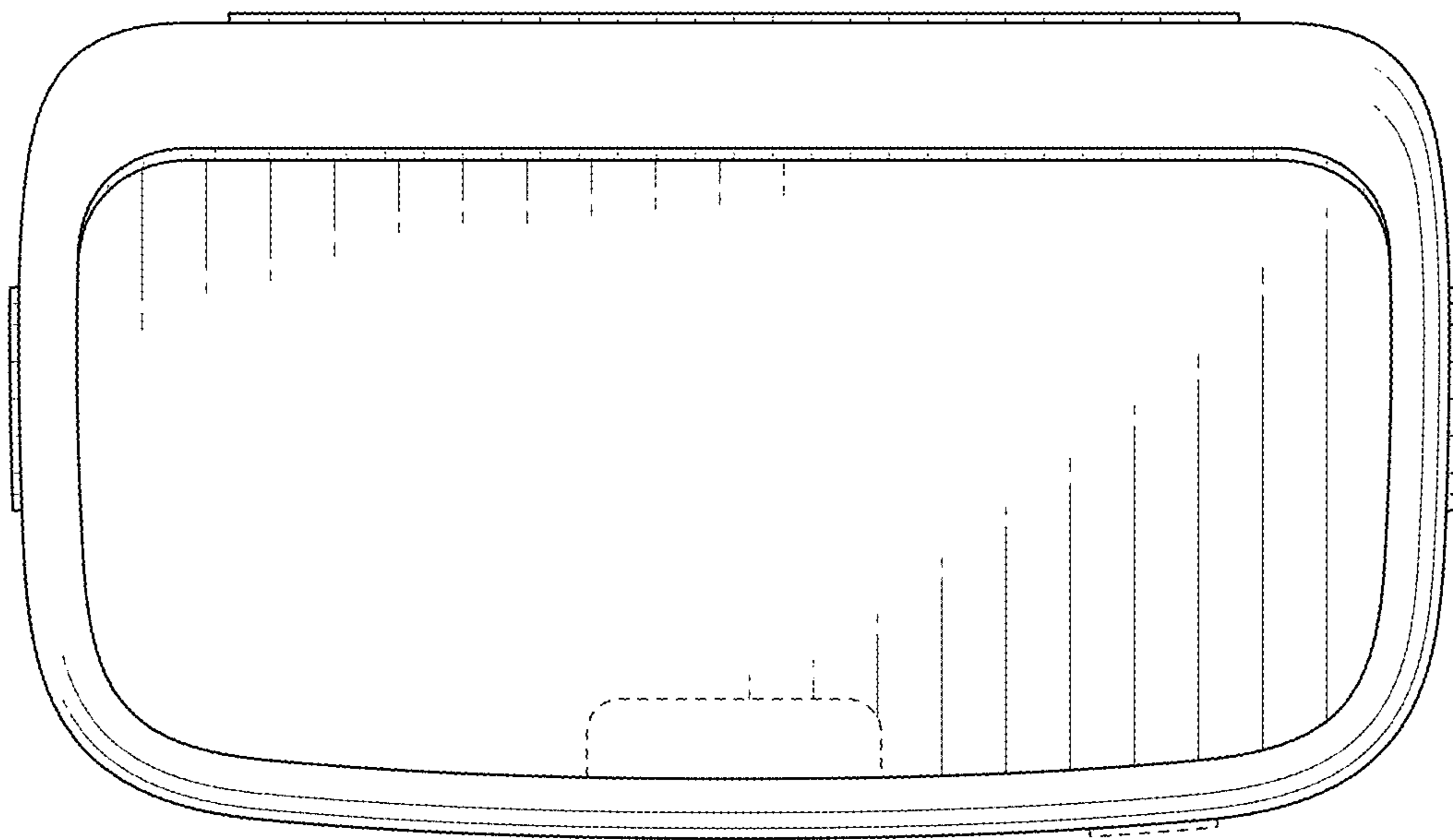


FIG. 6

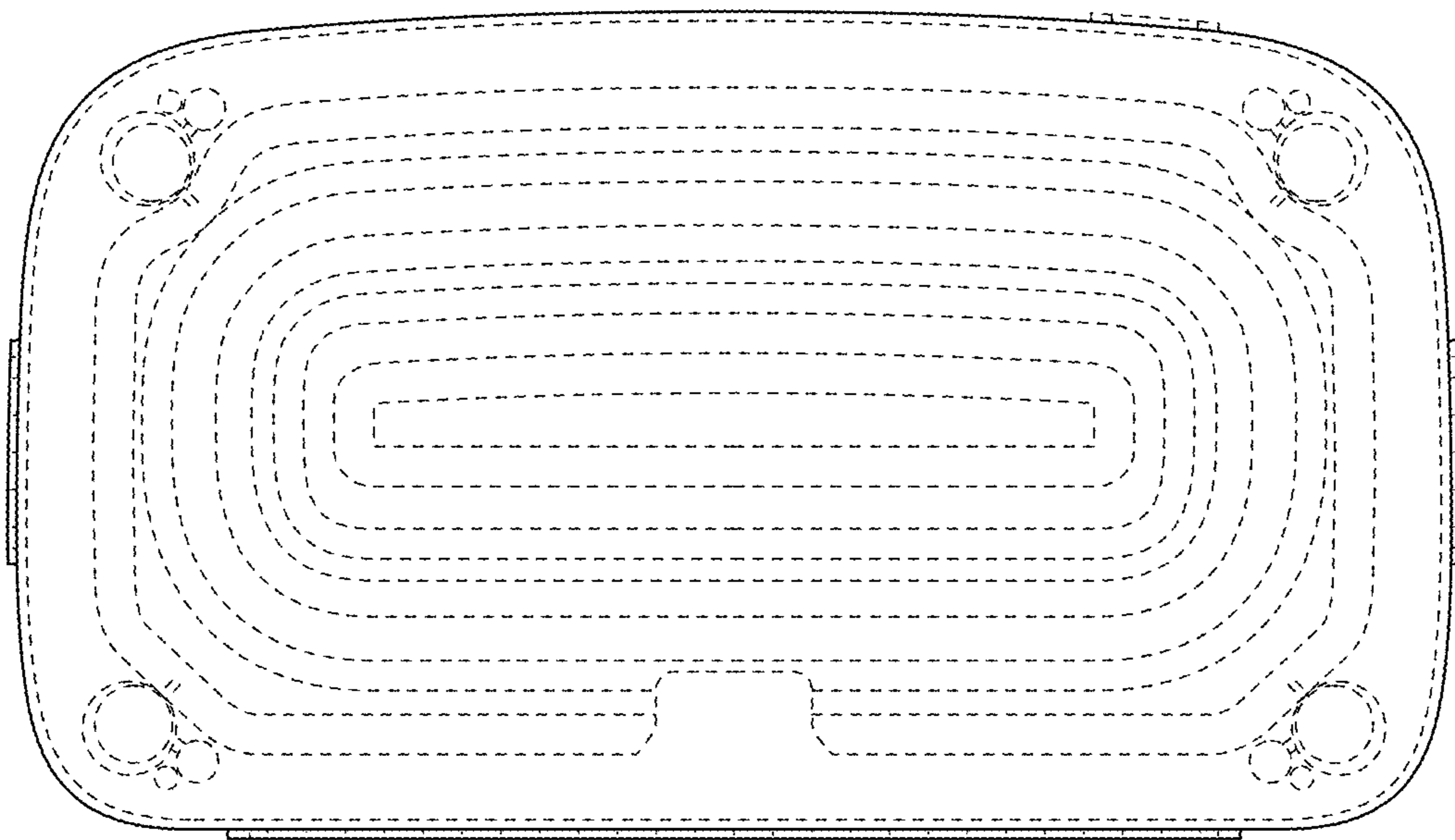


FIG. 7