



US00D903215S

(12) **United States Design Patent** (10) **Patent No.:** **US D903,215 S**
Courteille et al. (45) **Date of Patent:** **** Nov. 24, 2020**

(54) **BROOM**
(71) Applicant: **Spontex SAS**, d'Orves Colombes (FR)
(72) Inventors: **Pierre-Thomas Courteille**,
Levallois-Perret (FR); **Emily R. Gasta**,
Portage, MI (US)
(73) Assignee: **RUBBERMAID COMMERCIAL**
PRODUCTS LLC, Huntersville, NC
(US)

(**) Term: **15 Years**
(21) Appl. No.: **29/678,344**
(22) Filed: **Jan. 28, 2019**

(30) **Foreign Application Priority Data**
Nov. 20, 2018 (EM) 005830031
(51) **LOC (12) Cl.** **07-05**
(52) **U.S. Cl.**
USPC **D32/50**
(58) **Field of Classification Search**
USPC D32/50-52; D4/130-132, 135-136
CPC A46D 1/00
See application file for complete search history.

(56) **References Cited**
U.S. PATENT DOCUMENTS
D30,092 S * 1/1899 Hoke D4/132
D30,728 S * 5/1899 Hoke D4/132
1,598,549 A * 8/1926 Berlow A47L 13/24
15/147.2
D132,813 S * 6/1942 Scwartz D4/130
3,121,040 A * 2/1964 Shaw D01D 5/253
264/209.1
3,125,776 A * 3/1964 Shaw et al. B23C 3/20
15/207.2
D207,049 S * 2/1967 McCord D4/130
D277,524 S * 2/1985 Kubick D32/50
D289,338 S * 4/1987 Sartori D32/50

D299,289 S * 1/1989 Machacek D32/50
D308,741 S * 6/1990 Tsukamoto D32/51
D380,303 S * 7/1997 Wolfenden D32/50
D417,325 S * 11/1999 Tintelnot D32/50
D527,530 S * 9/2006 Ajluni D4/130
(Continued)

FOREIGN PATENT DOCUMENTS

GB 3000554 * 2/2002

OTHER PUBLICATIONS

Spontex Catch & Clean Indoor Rubber Broom and Dustpan: Amazon.
co.uk: image reviews 2019, <https://www.amazon.co.uk/Spontex-Catch-Indoor-Rubber-Dustpan/dp/B07PFX765L>, site visited Mar.
24, 2020.*

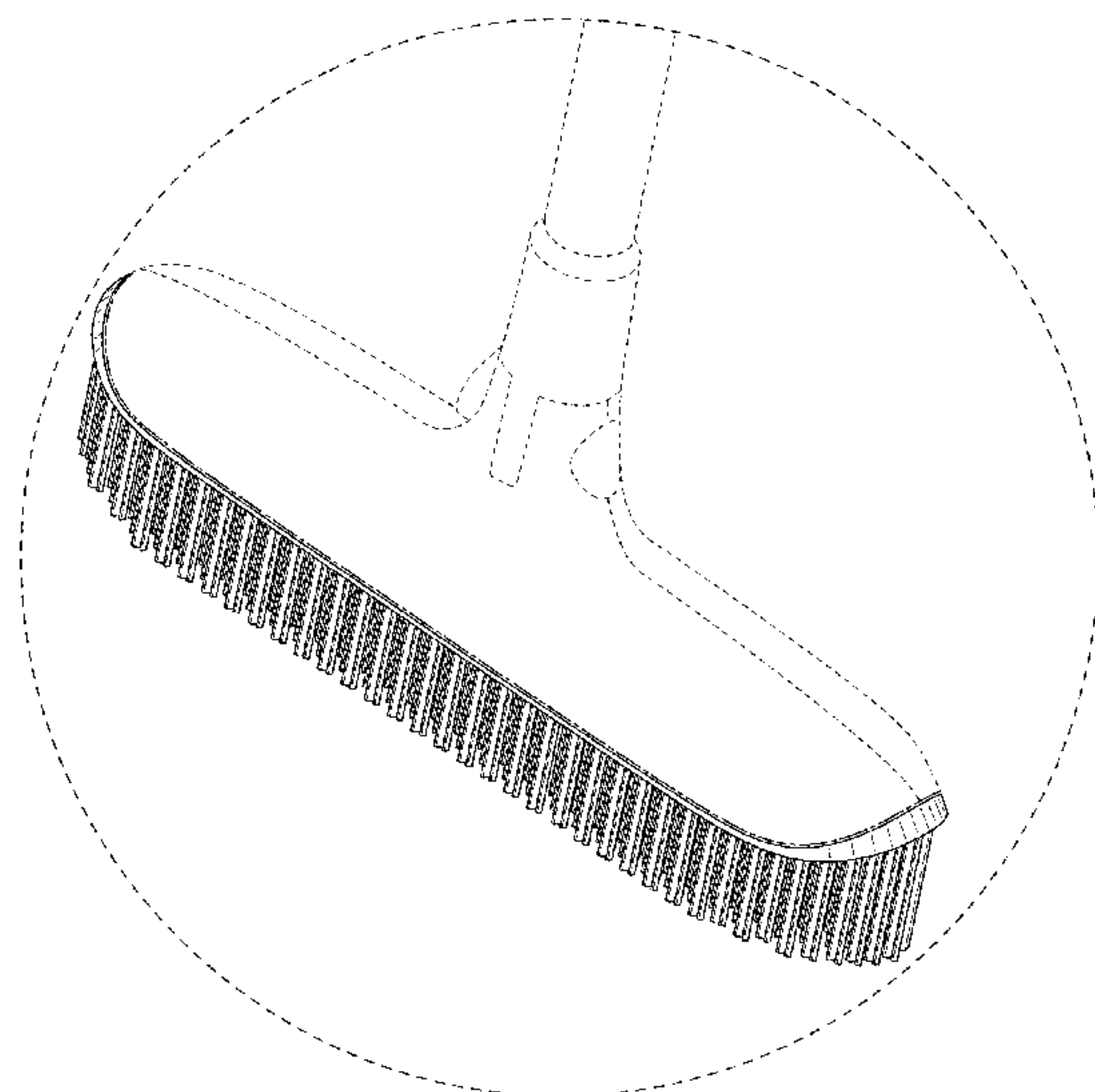
Primary Examiner — John R Yeh
(74) *Attorney, Agent, or Firm* — Eversheds Sutherland
(US) LLP

(57) **CLAIM**
We claim the ornamental design for a broom, as shown and
described.

DESCRIPTION

FIG. 1 is an upper, perspective view of our new design for
a broom;
FIG. 2 is an enlarged view of the broom as indicated in FIG.
1;
FIG. 3 is an enlarged front view thereof;
FIG. 4 is an enlarged rear view thereof
FIG. 5 is an enlarged left side view thereof;
FIG. 6 is an enlarged right side view thereof;
FIG. 7 is an enlarged top view thereof;
FIG. 8 is an enlarged bottom view thereof; and,
FIG. 9 is a cross-sectional view of the bristle indicated in
FIG. 5.
The broken lines in the drawings form no part of the claimed
design.

1 Claim, 8 Drawing Sheets



(56)

References Cited

U.S. PATENT DOCUMENTS

7,445,295	B2 *	11/2008	Fischer	A46B 15/0032
					300/21
RE42,985	E *	12/2011	Fischer	A46D 1/00
					15/110
8,438,689	B2 *	5/2013	Noble	A46D 1/02
					15/105
D699,909	S *	2/2014	Vasilakes	D32/50
8,677,545	B2 *	3/2014	Vitt	A46B 9/04
					15/167.1
2012/0054975	A1 *	3/2012	Noble	A46D 1/02
					15/207.2

* cited by examiner

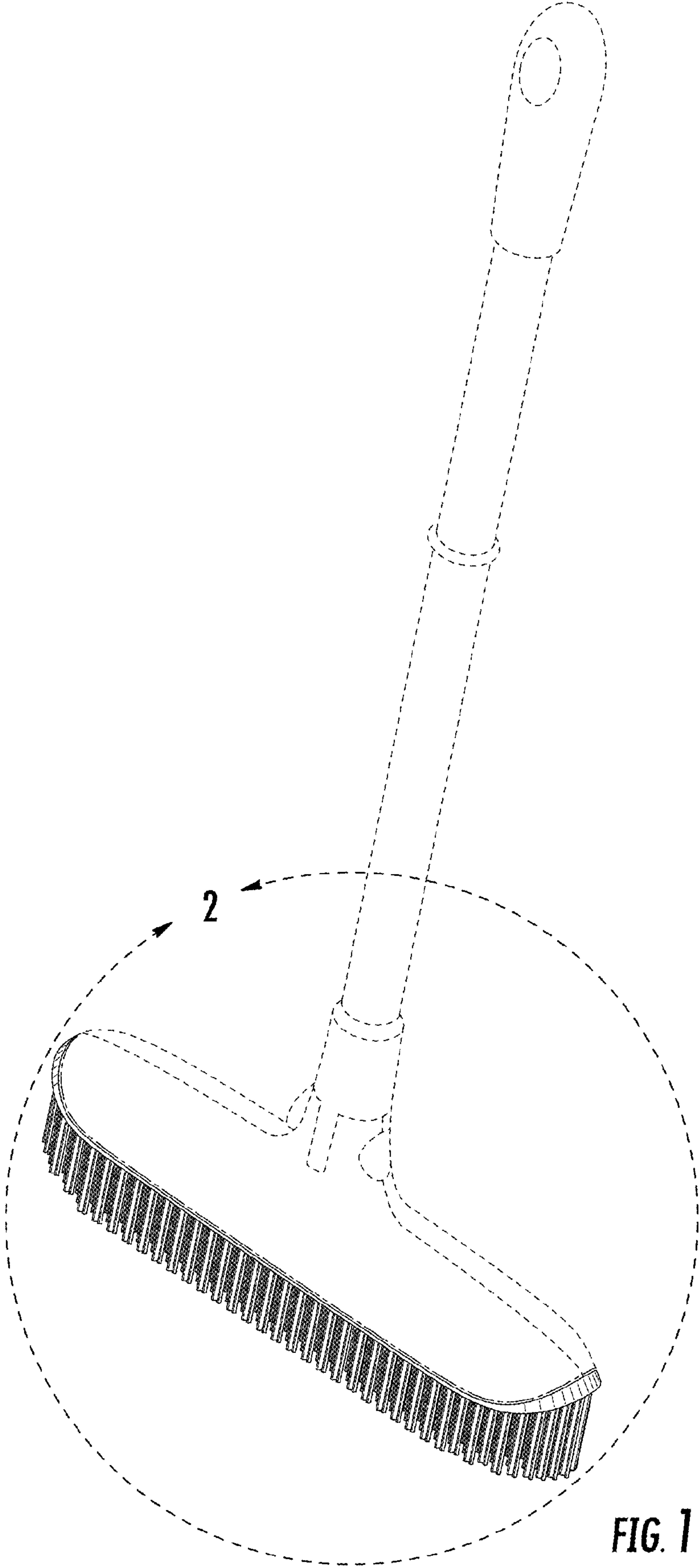


FIG. 1

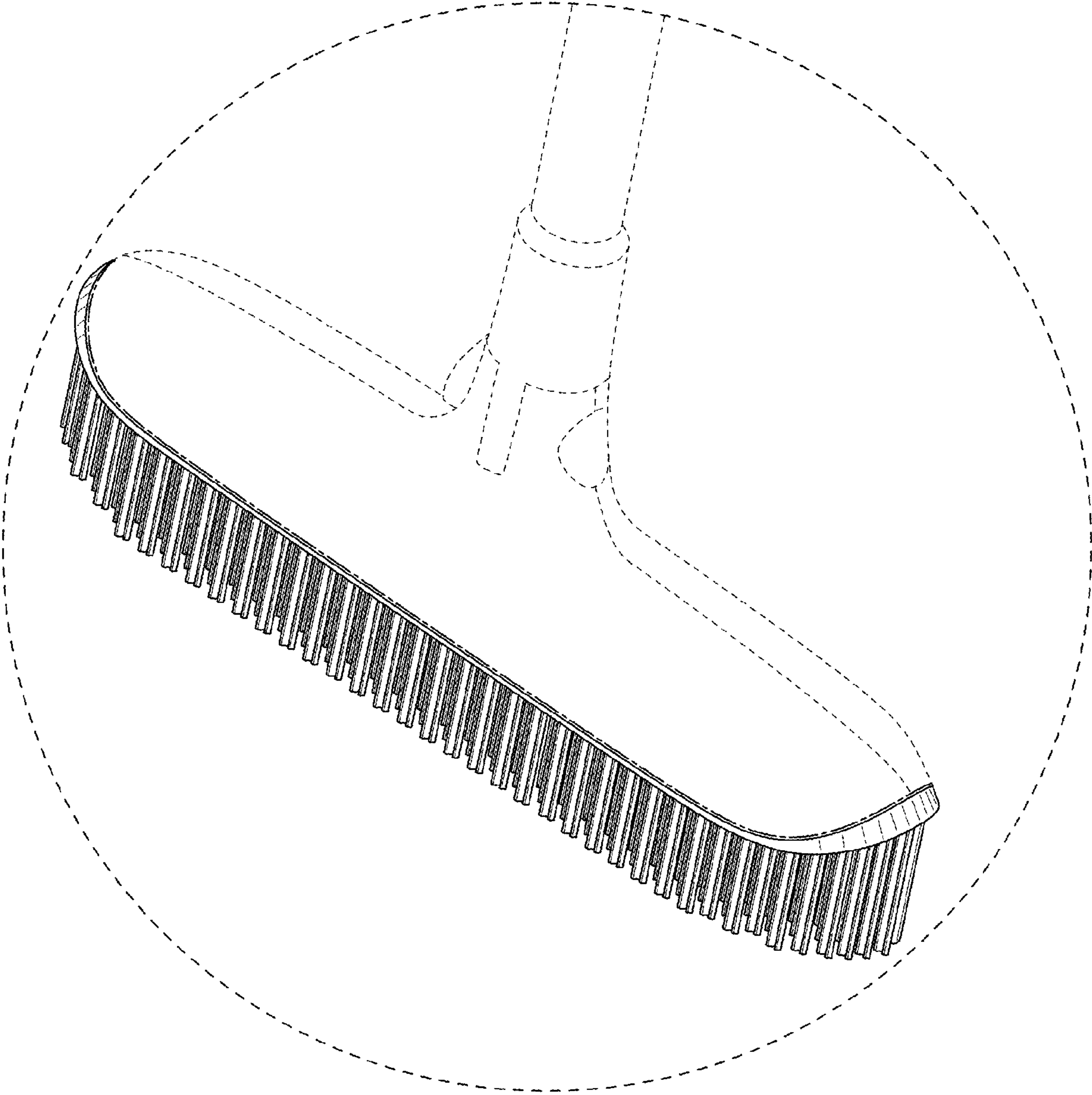


FIG. 2

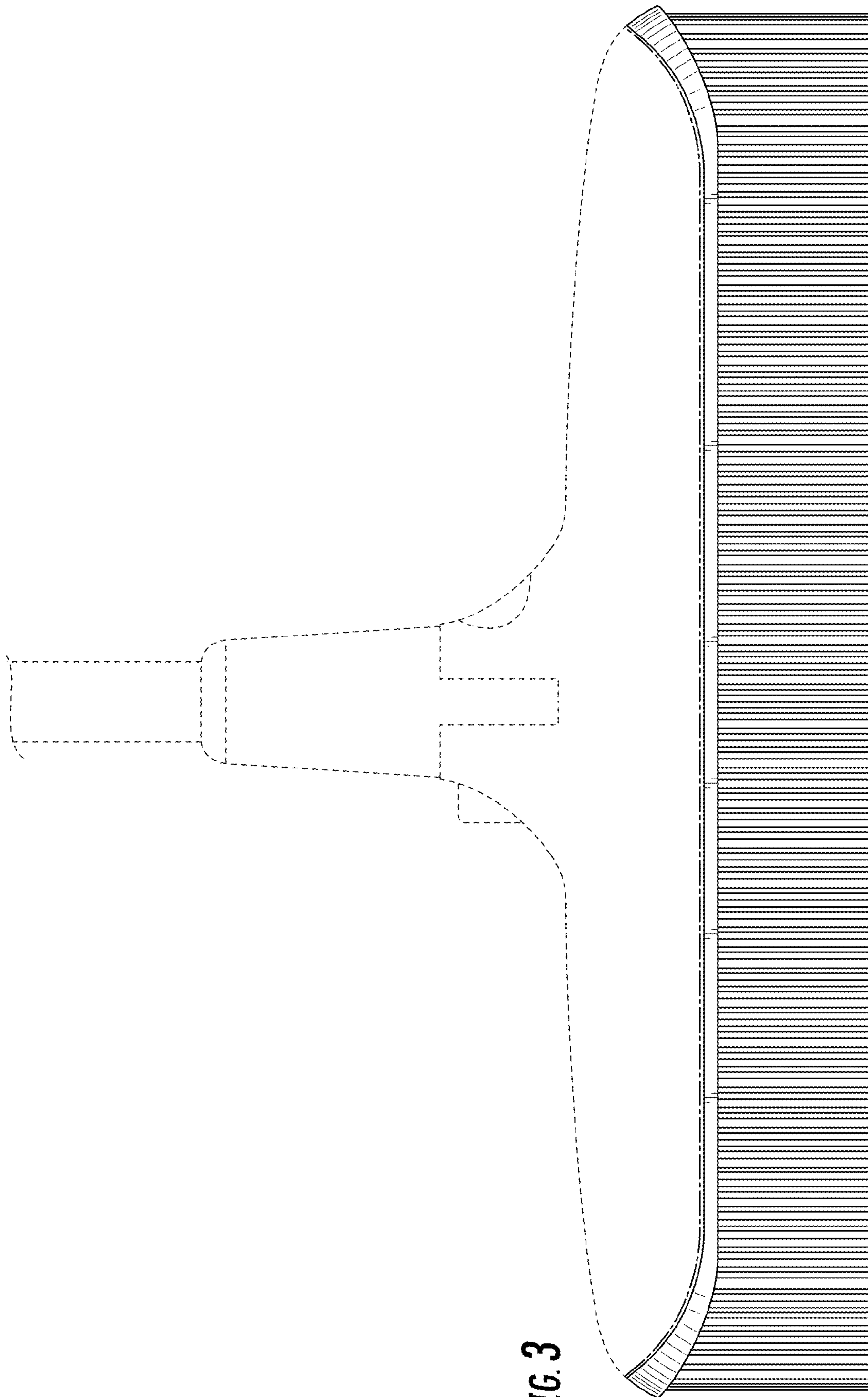


FIG. 3

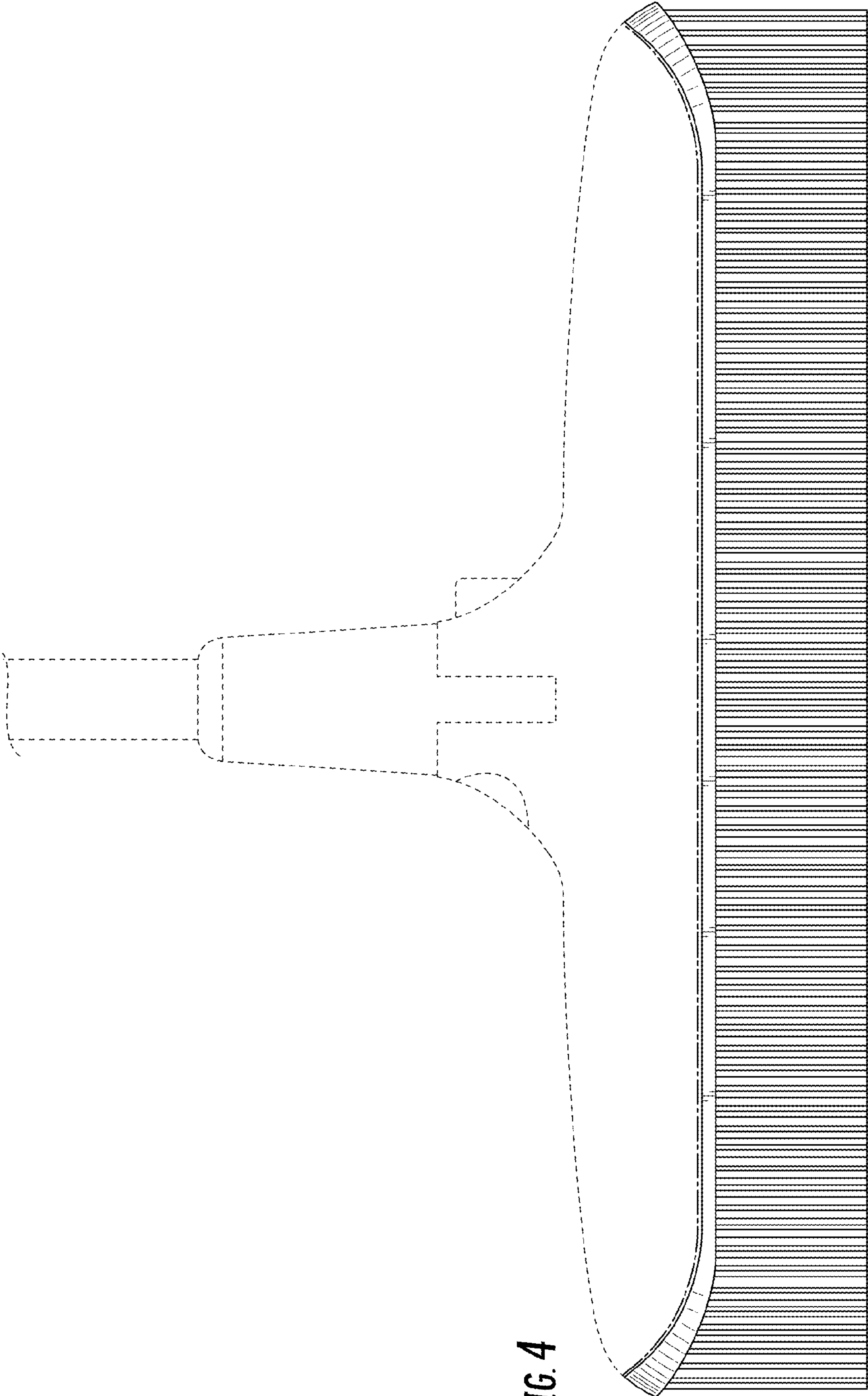
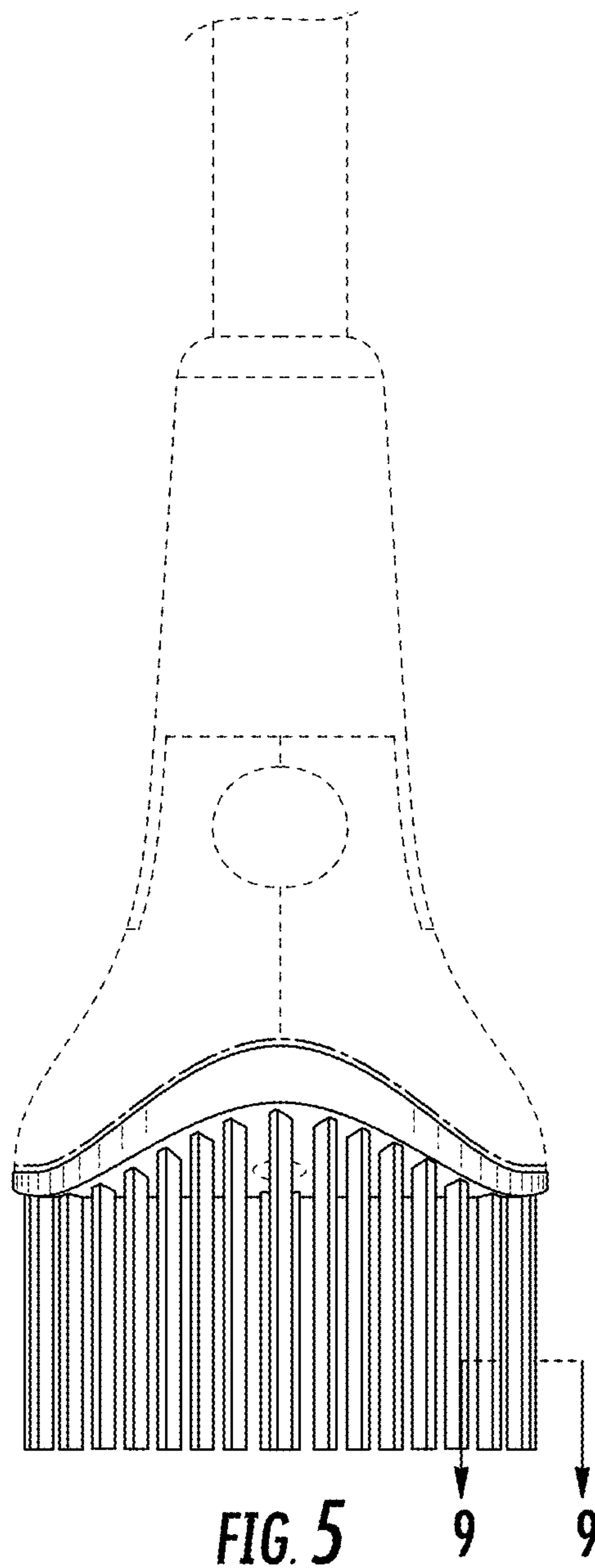


FIG. 4



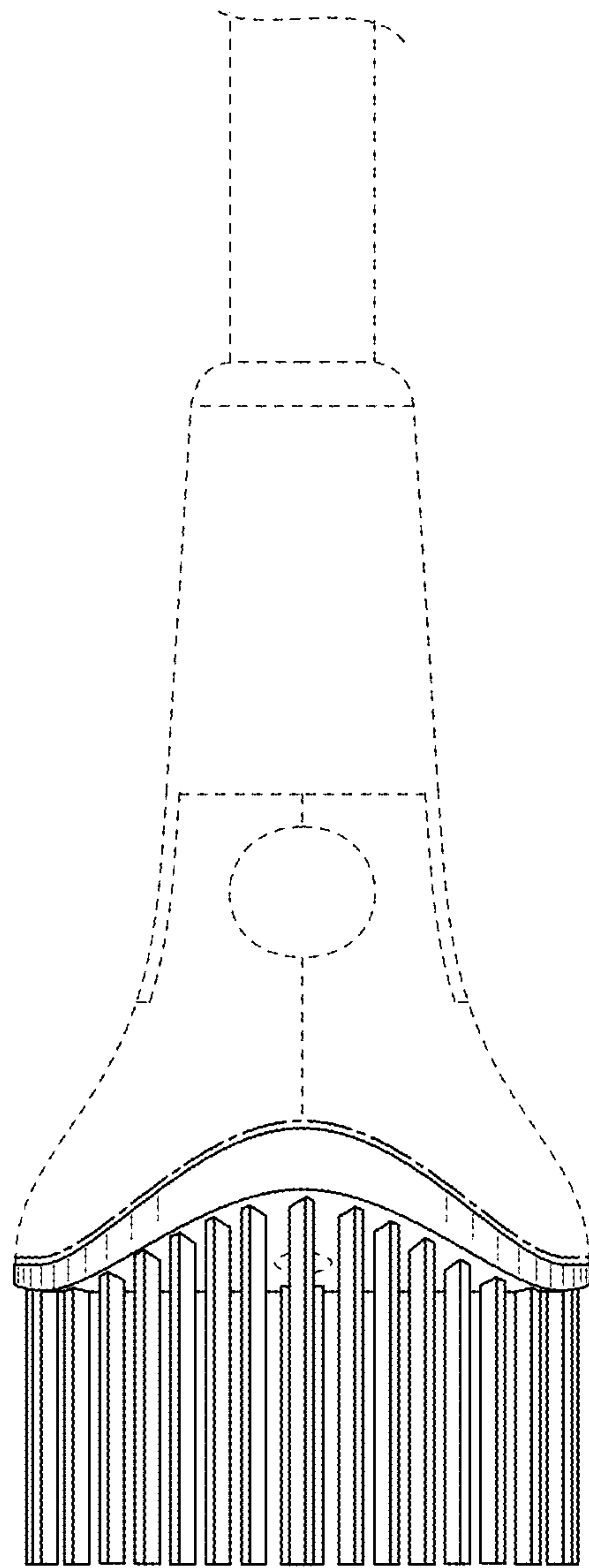


FIG. 6

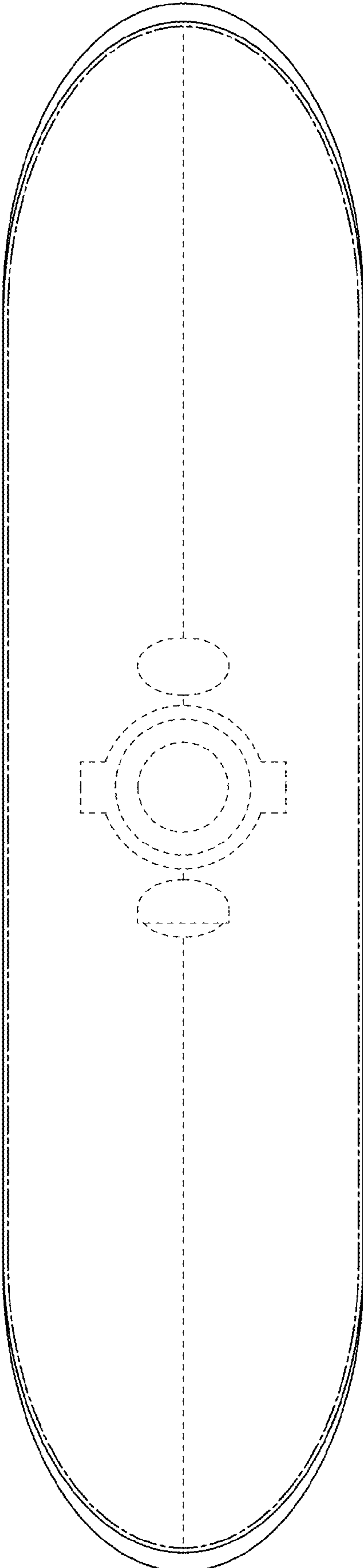


FIG. 7

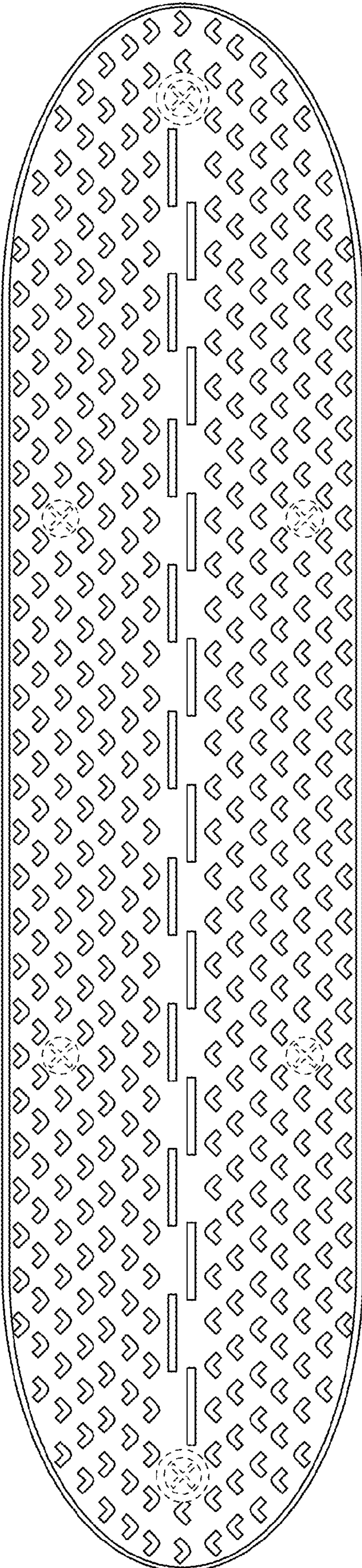


FIG. 8

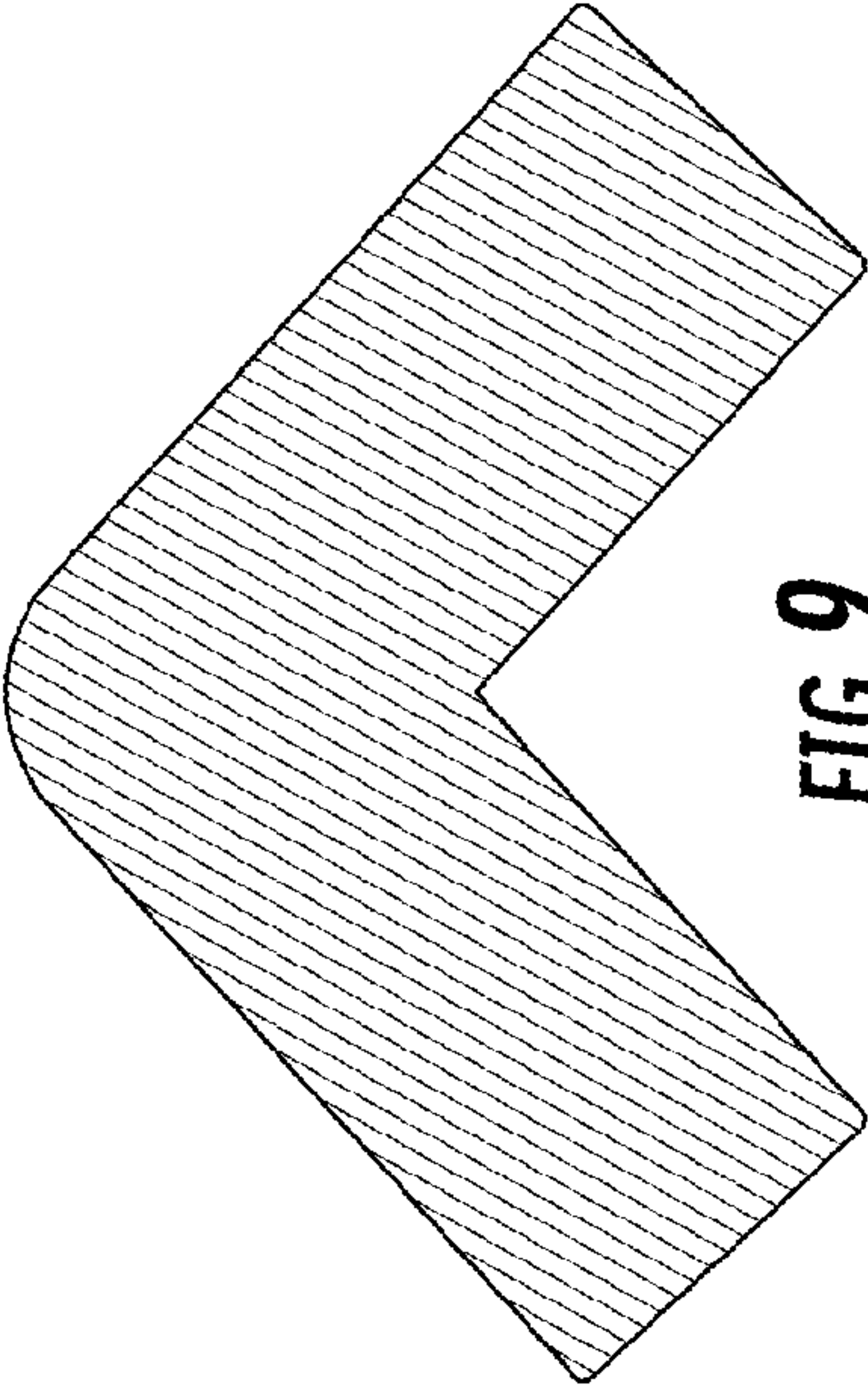


FIG. 9