



US00D903213S

(12) **United States Design Patent**
Nam et al.

(10) **Patent No.:** **US D903,213 S**
(45) **Date of Patent:** **** Nov. 24, 2020**

(54) **DISHWASHER**

FOREIGN PATENT DOCUMENTS

(71) Applicant: **LG ELECTRONICS INC.**, Seoul (KR)

CN 201830127744 * 4/2018
CN 201830442172 * 8/2018
KR 3020060021572 * 6/2006

(72) Inventors: **Bohyun Nam**, Seoul (KR); **Kyutae Park**, Seoul (KR); **Wonjun Lee**, Seoul (KR); **Seonil Yu**, Seoul (KR); **Jungkyu Son**, Seoul (KR)

OTHER PUBLICATIONS

Turbosquid, LG Dishwasher, posted Feb. 12, 2014, [online], [visited Sep. 9, 2020]. Internet, <URL: <https://www.turbosquid.com/3d-models/3d-model-lg-dishwasher/800013>> (Year: 2014).*

(73) Assignee: **LG ELECTRONICS INC.**, Seoul (KR)

(Continued)

(**) Term: **15 Years**

Primary Examiner — George D. Kirschbaum

(21) Appl. No.: **35/507,741**

Assistant Examiner — Samantha N Wood

(22) Filed: **Mar. 13, 2019**

(74) *Attorney, Agent, or Firm* — Birch, Stewart, Kolasch & Birch, LLP

(80) **Hague Agreement Data**

(57) **CLAIM**

Int. Filing Date: **Mar. 13, 2019**

The ornamental design for a dishwasher, as shown and described.

Int. Reg. No.: **DM/203950**

Int. Reg. Date: **Mar. 13, 2019**

Int. Reg. Pub. Date: **Nov. 15, 2019**

DESCRIPTION

(30) **Foreign Application Priority Data**

Sep. 17, 2018 (KR) 30-2018-0043502

(51) **LOC (12) Cl.** **15-05**

(52) **U.S. Cl.**
USPC **D32/2**

(58) **Field of Classification Search**
USPC D32/2, 1, 3, 25, 28, 29, 6, 8, 10

(Continued)

(56) **References Cited**

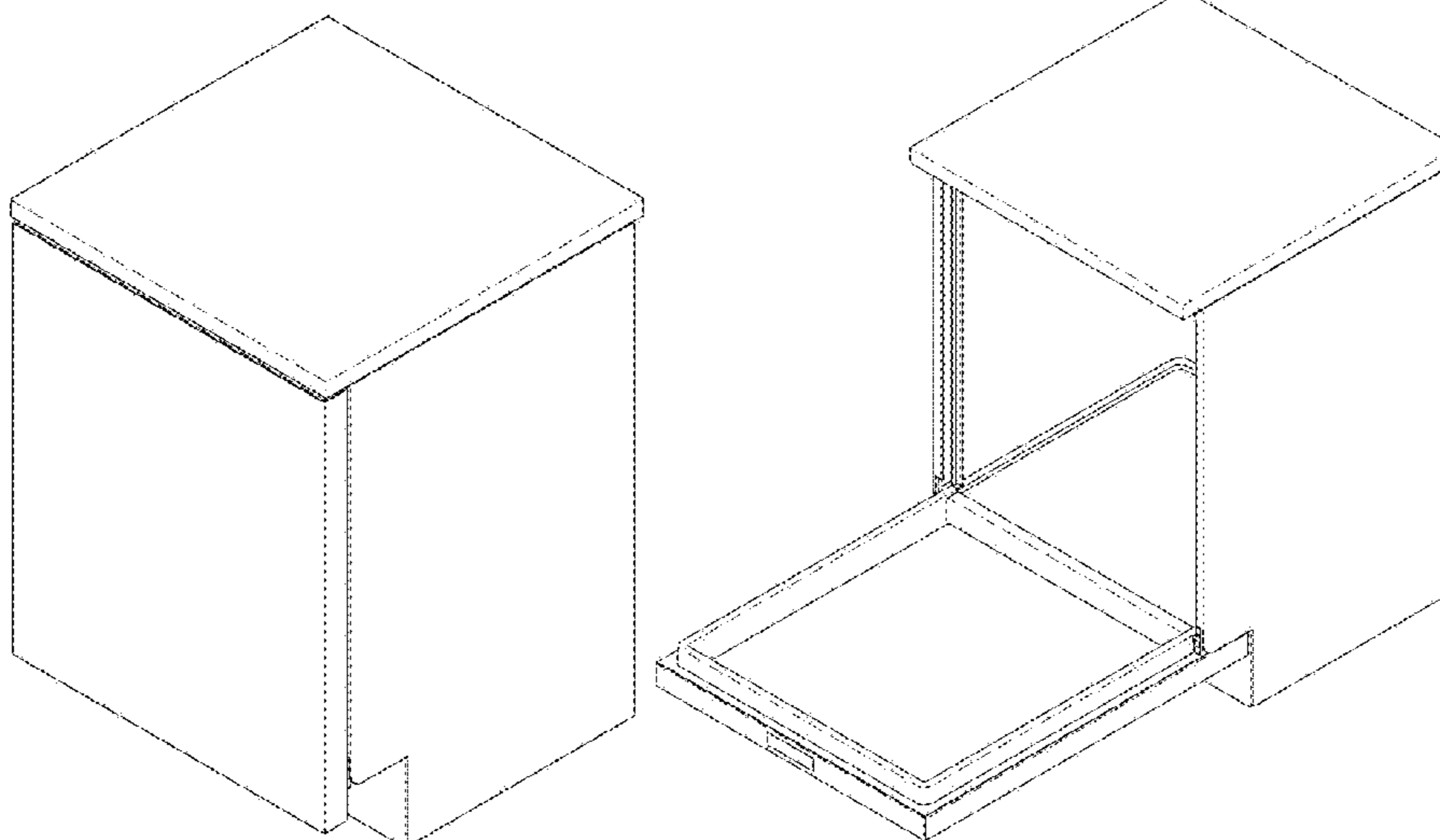
U.S. PATENT DOCUMENTS

5,115,822 A * 5/1992 Nichols A47L 15/506
134/135

D540,497 S * 4/2007 Song D32/2
(Continued)

- 1. Dishwasher
- 1.1 : Perspective
- 1.2 : Bottom perspective view
- 1.3 : Front
- 1.4 : Back
- 1.5 : Left
- 1.6 : Right
- 1.7 : Top
- 1.8 : Bottom
- 1.9 : Perspective
- 1.10 : Bottom perspective view
- 1.11 : Front
- 1.12 : Back
- 1.13 : Left
- 1.14 : Right
- 1.15 : Top
- 1.16 : Bottom

1 Claim, 16 Drawing Sheets



(58) **Field of Classification Search**

CPC .. A47L 15/00; A47L 15/0002; A47L 15/0007;
 A47L 15/02; A47L 15/4257; A47L
 15/4259; A47L 15/4261; A47L 15/4263;
 A47L 15/4265; A47L 15/04; A47L 15/06;
 A47L 15/14

See application file for complete search history.

D710,557	S	*	8/2014	Haft	D32/3
D729,992	S	*	5/2015	Haft	D32/3
9,101,258	B2	*	8/2015	Cordill	A47L 15/4257
D748,875	S	*	2/2016	Roberson	D32/3
9,265,398	B2	*	2/2016	Brown-West	A47L 15/00
9,271,626	B2	*	3/2016	Dalton	D06F 35/005
9,803,389	B2	*	10/2017	Criner	E05B 1/0015
10,017,894	B2	*	7/2018	Strahle	D06F 34/28
D827,225	S	*	8/2018	Lee	D32/3

(56) **References Cited**

U.S. PATENT DOCUMENTS

D543,321	S	*	5/2007	Jeon	D32/2
D580,603	S	*	11/2008	Busalt	D32/3
8,104,628	B2	*	1/2012	Kim	A47L 15/503 211/41.8
D661,437	S	*	6/2012	Kim	D32/2
8,317,936	B2	*	11/2012	Woo	A47L 15/0002 134/56 D
D675,792	S	*	2/2013	Eng	D32/3
D685,149	S	*	6/2013	Eng	D32/3

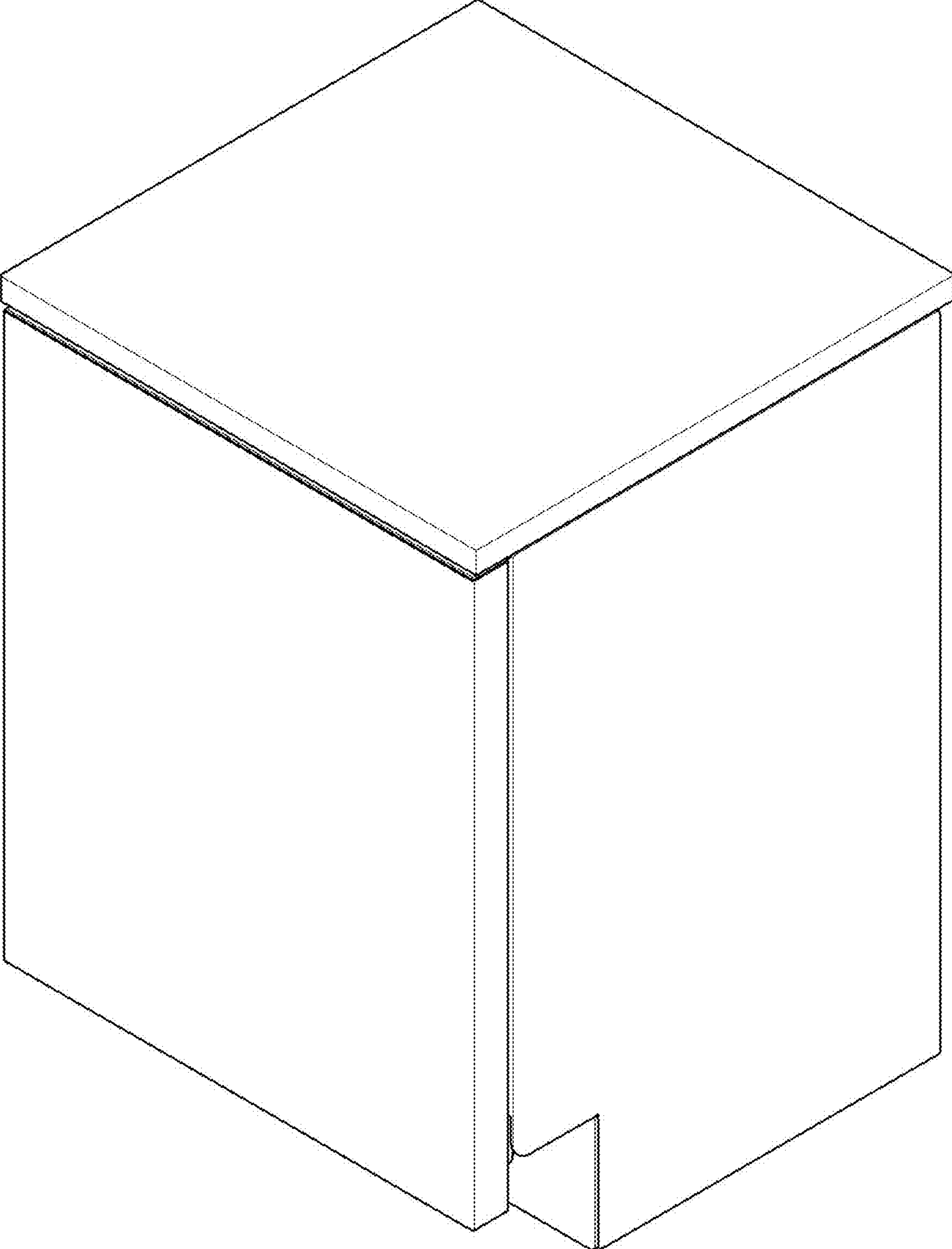
OTHER PUBLICATIONS

Youtube, LG QuadWash—Hands on Review, posted Oct. 19, 2017, [online], [visited Sep. 9, 2020]. Internet, <URL: <https://www.youtube.com/watch?v=H-MvwSyna5w>> (Year: 2017).*

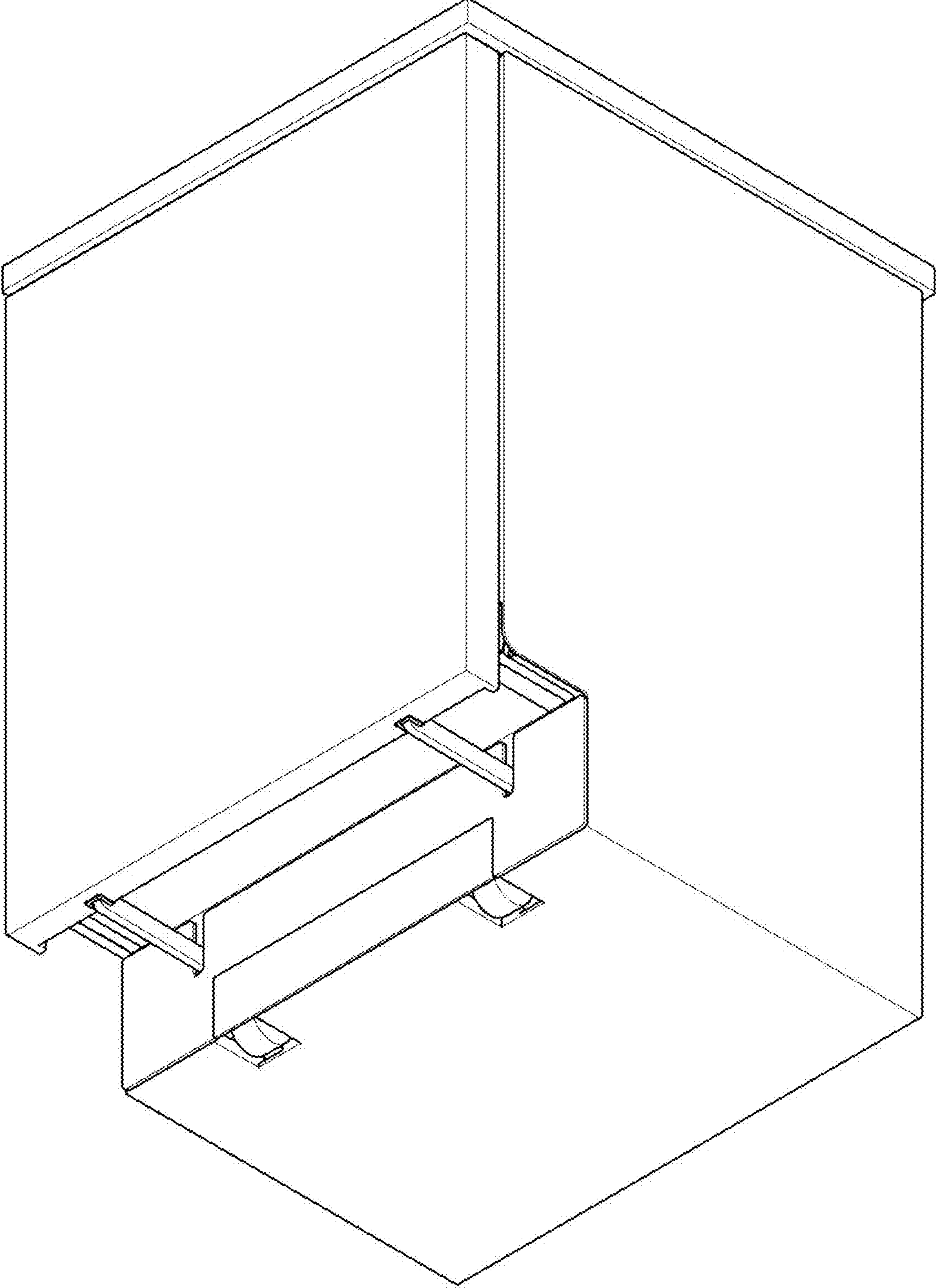
Architonic, Dishwashers 400 series by Gaggenau, launched 2015, [online], [visited Sep. 10, 2020]. Internet, <URL: <https://www.architonic.com/en/product/gaggenau-dishwashers-400-series-df-481-df-480/1316440>> (Year: 2015).*

* cited by examiner

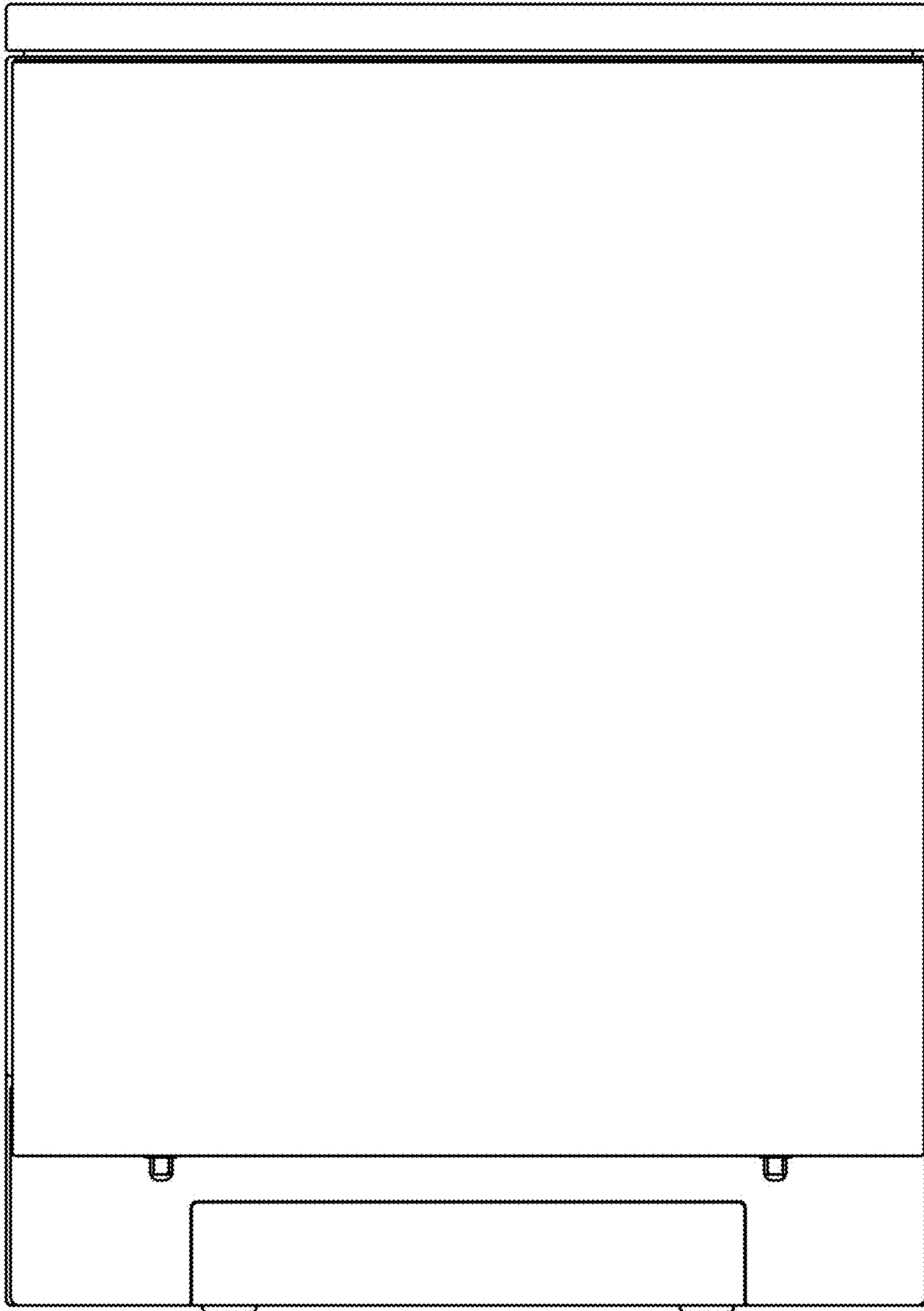
1.1



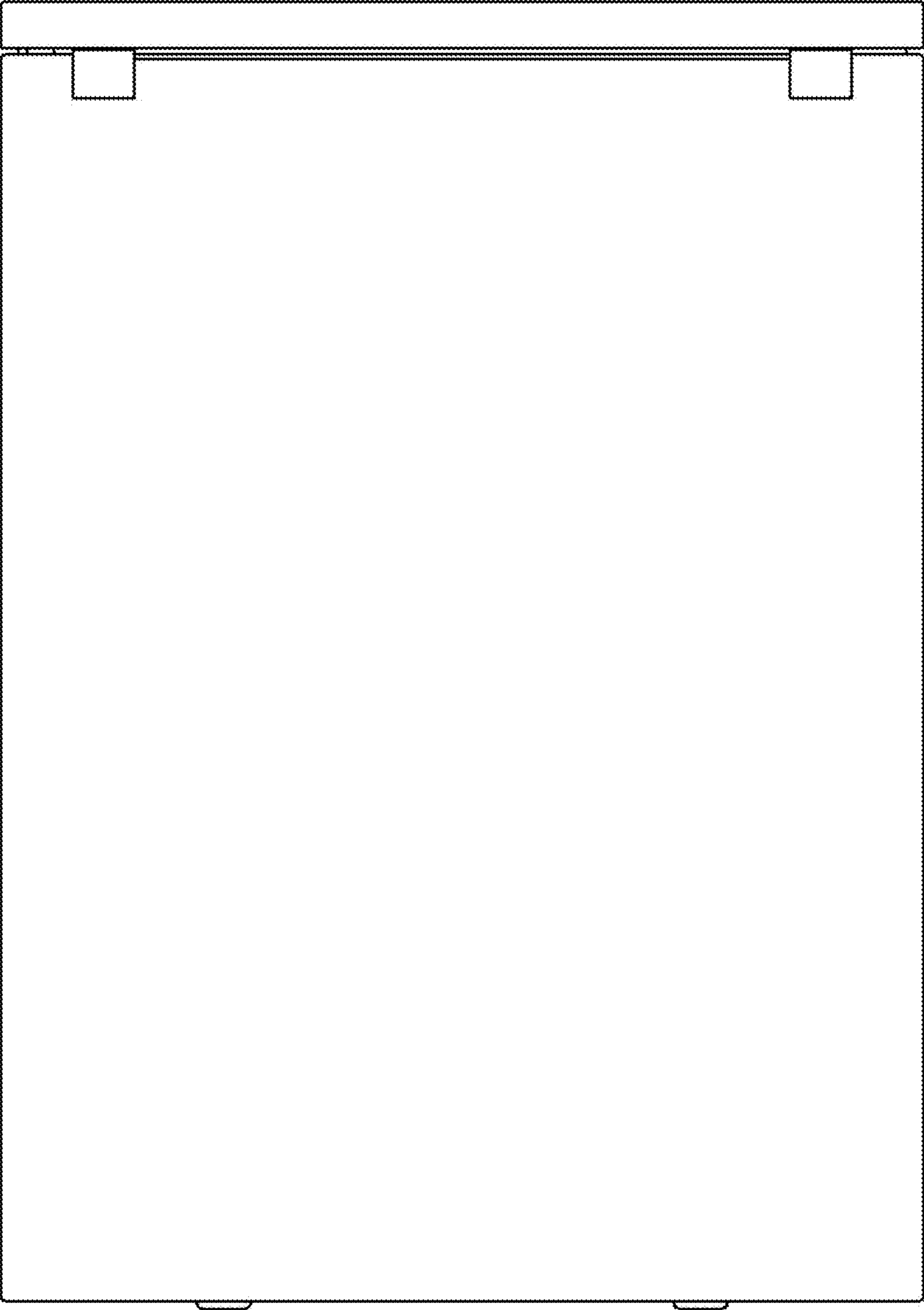
1.2



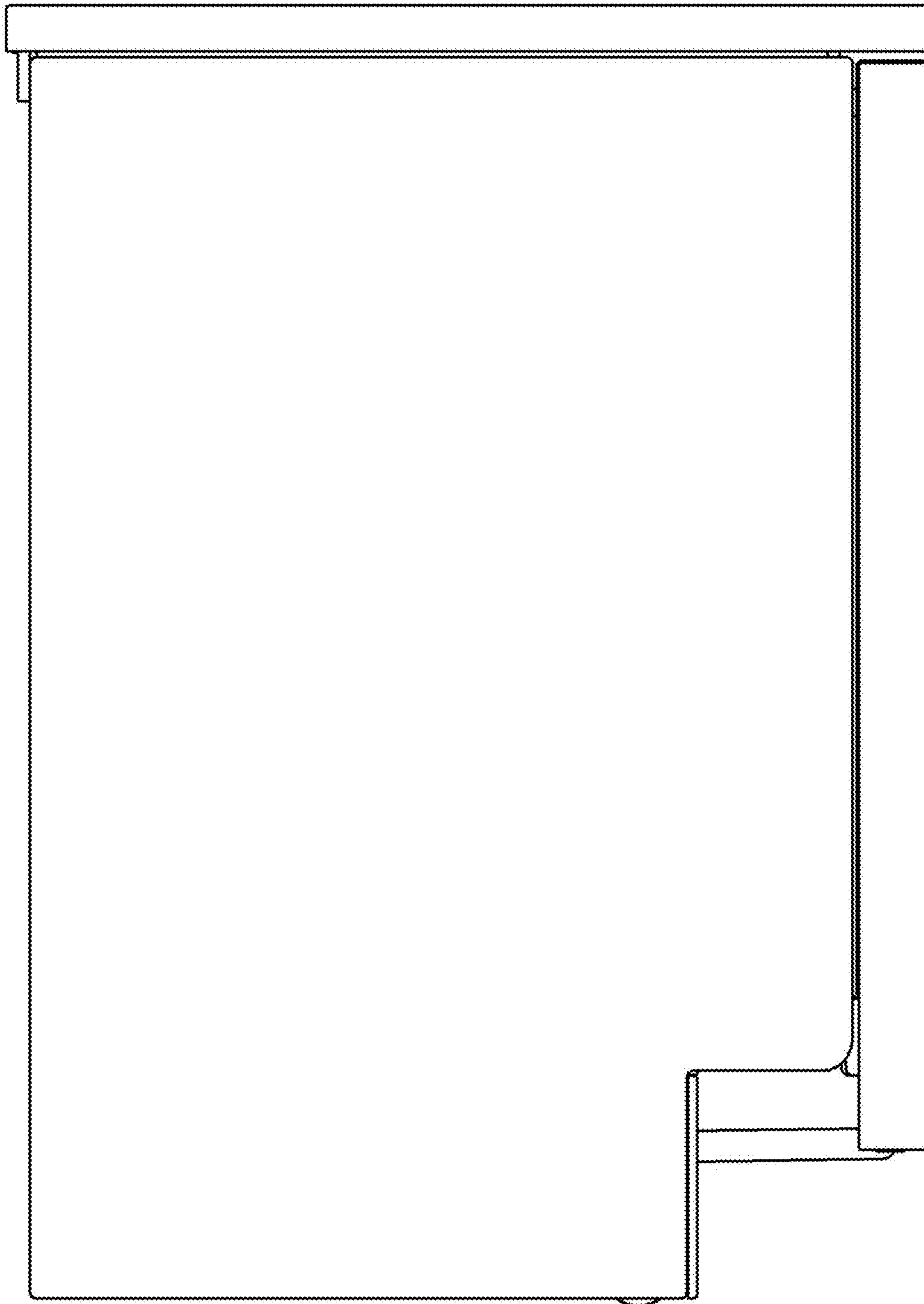
1.3



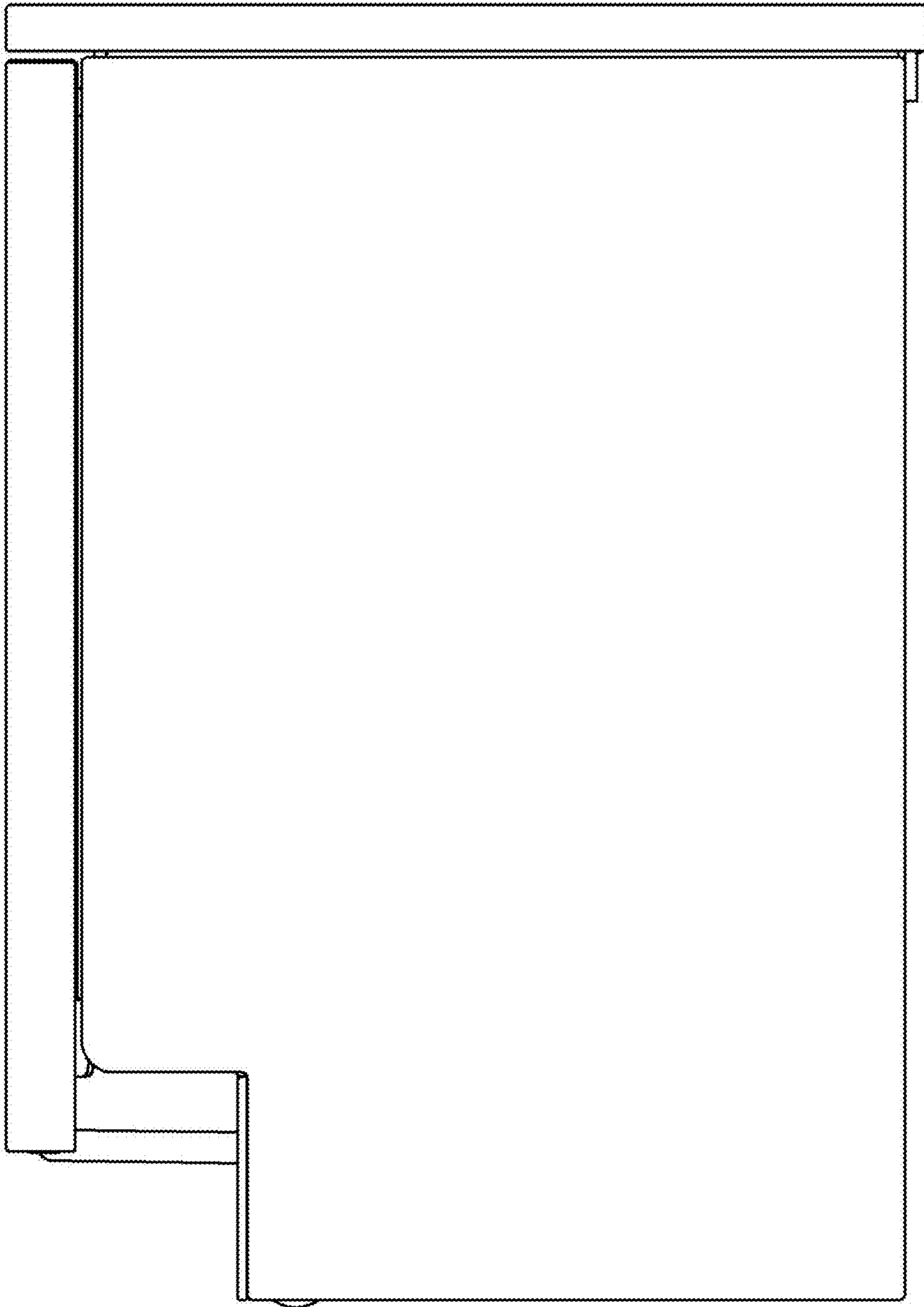
1.4



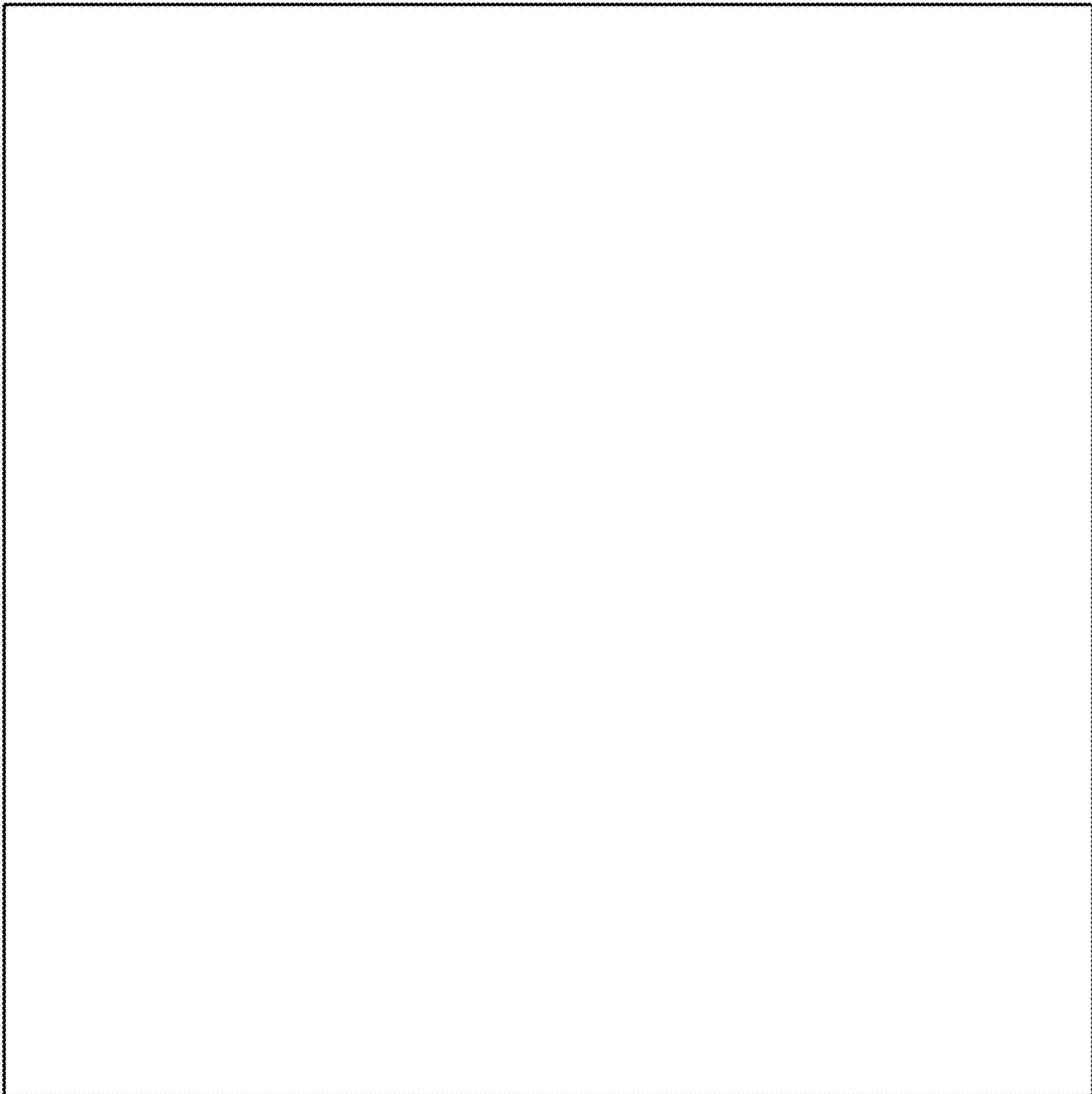
1.5



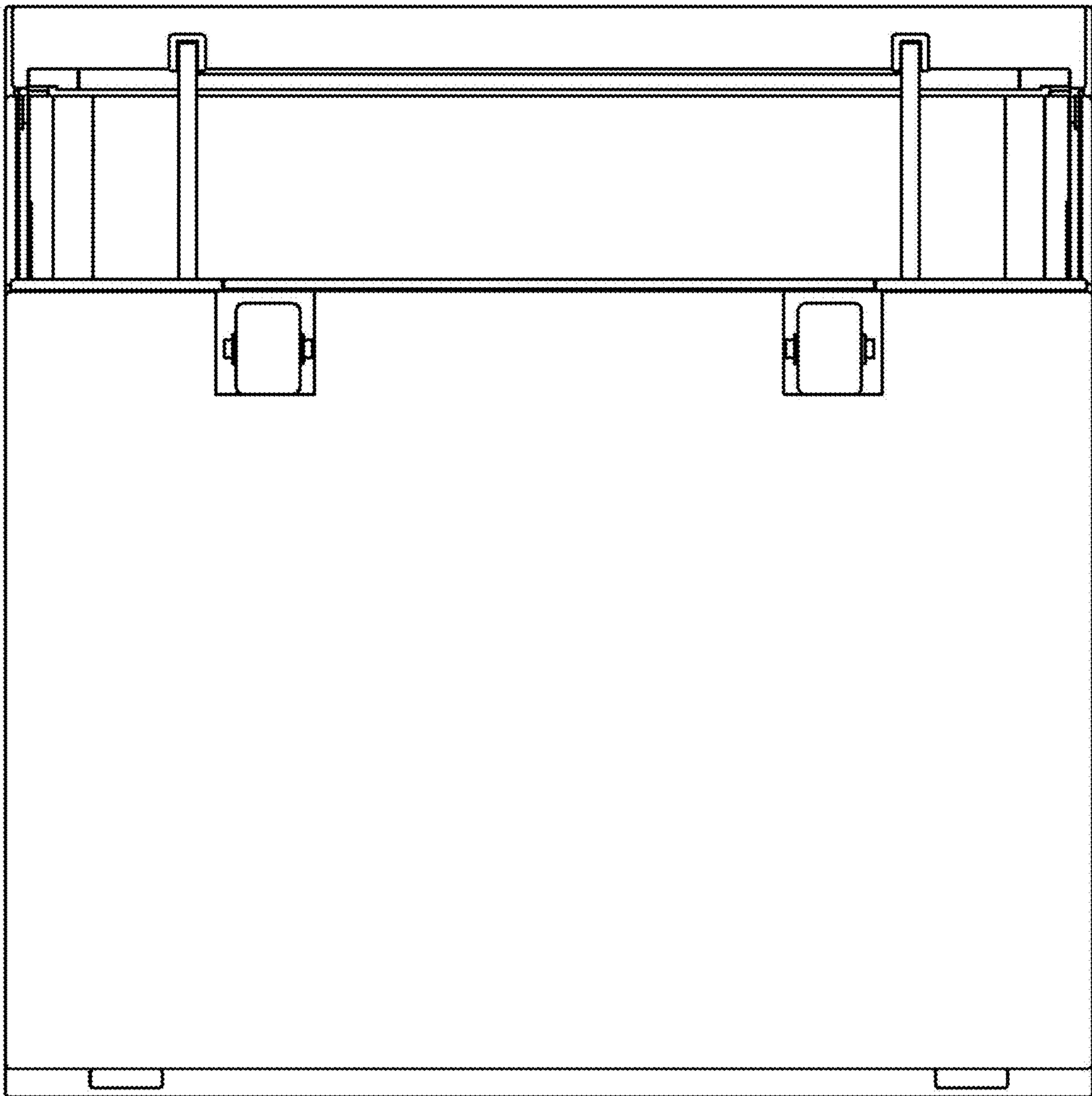
1.6



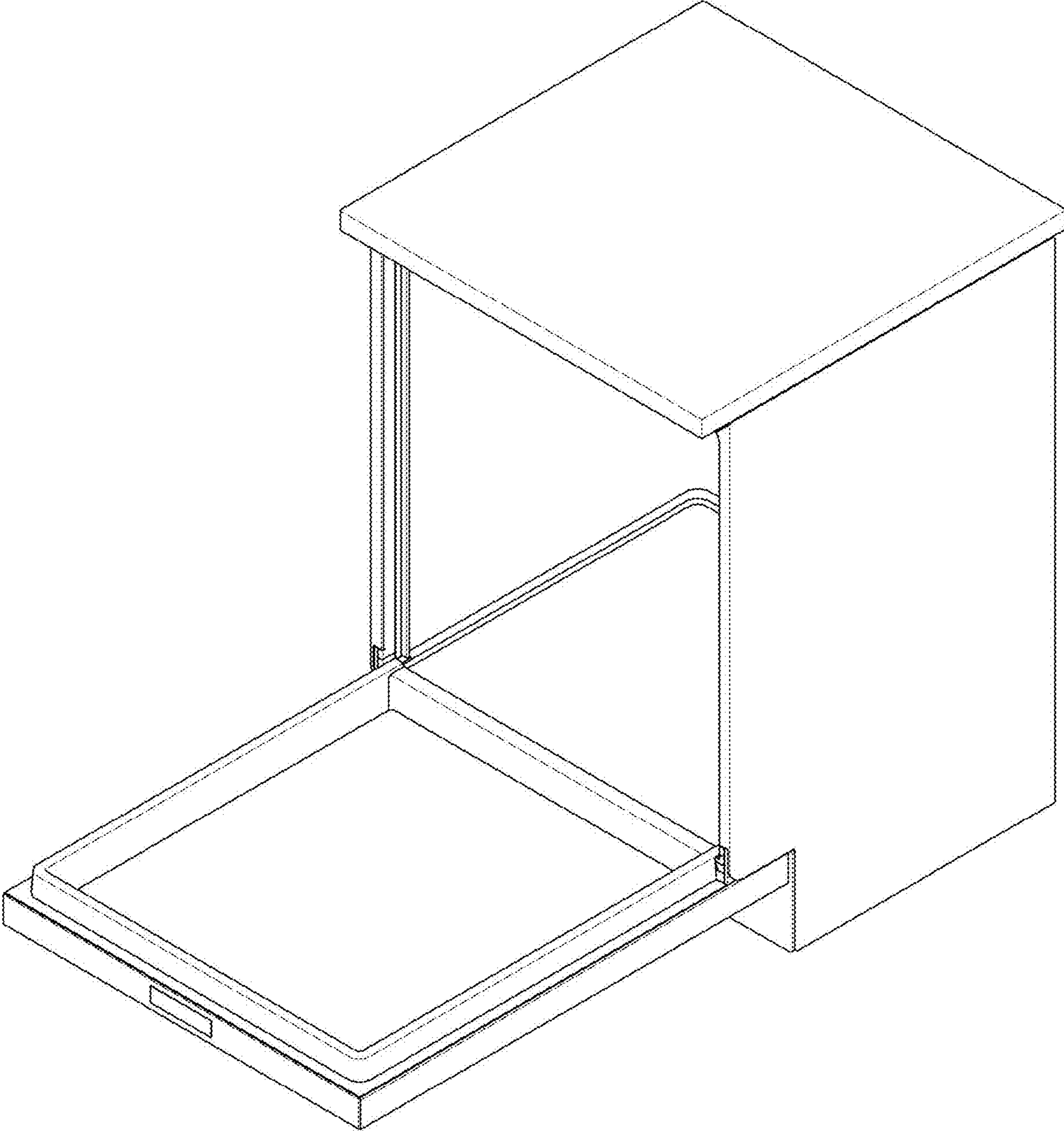
1.7



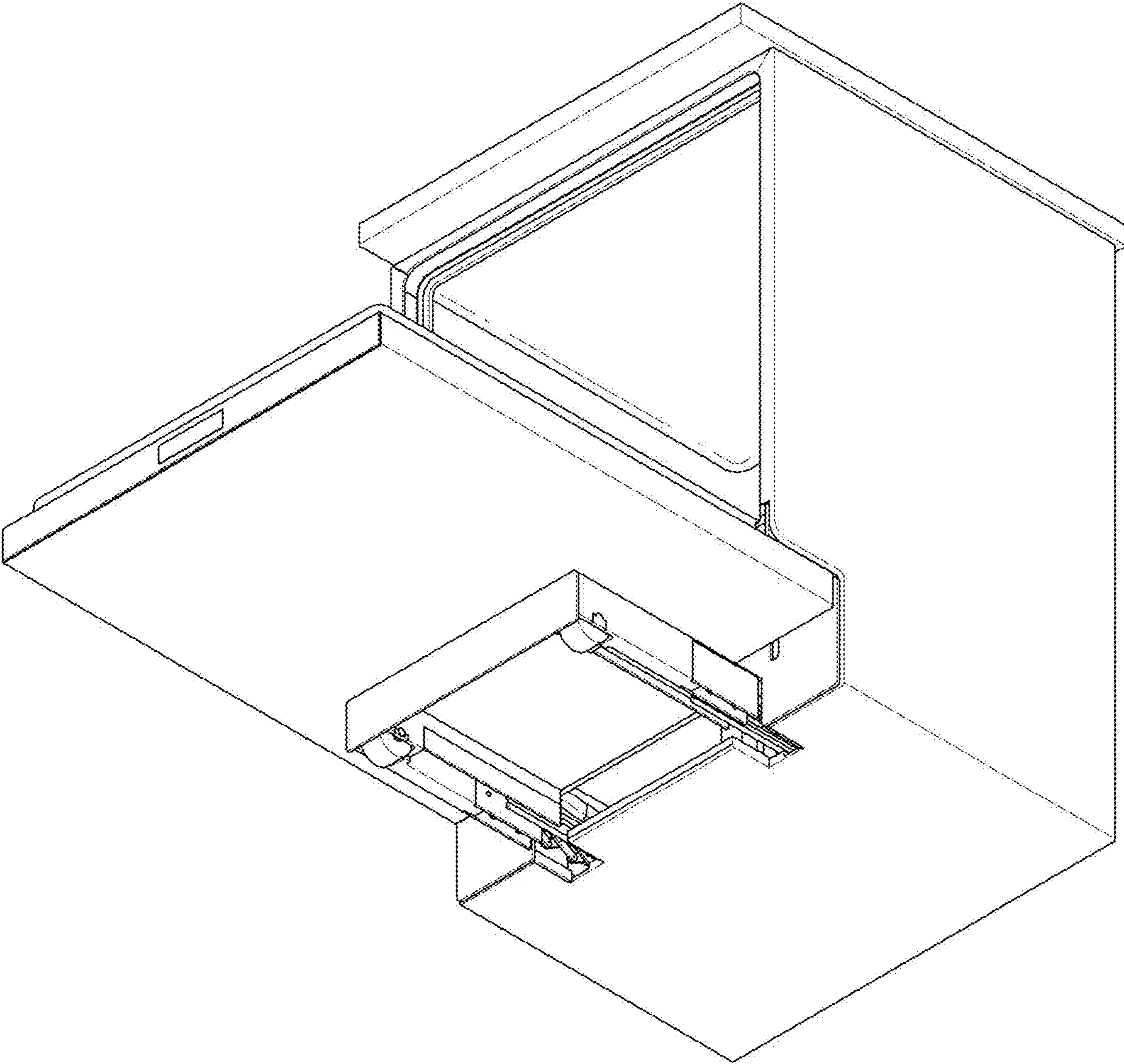
1.8



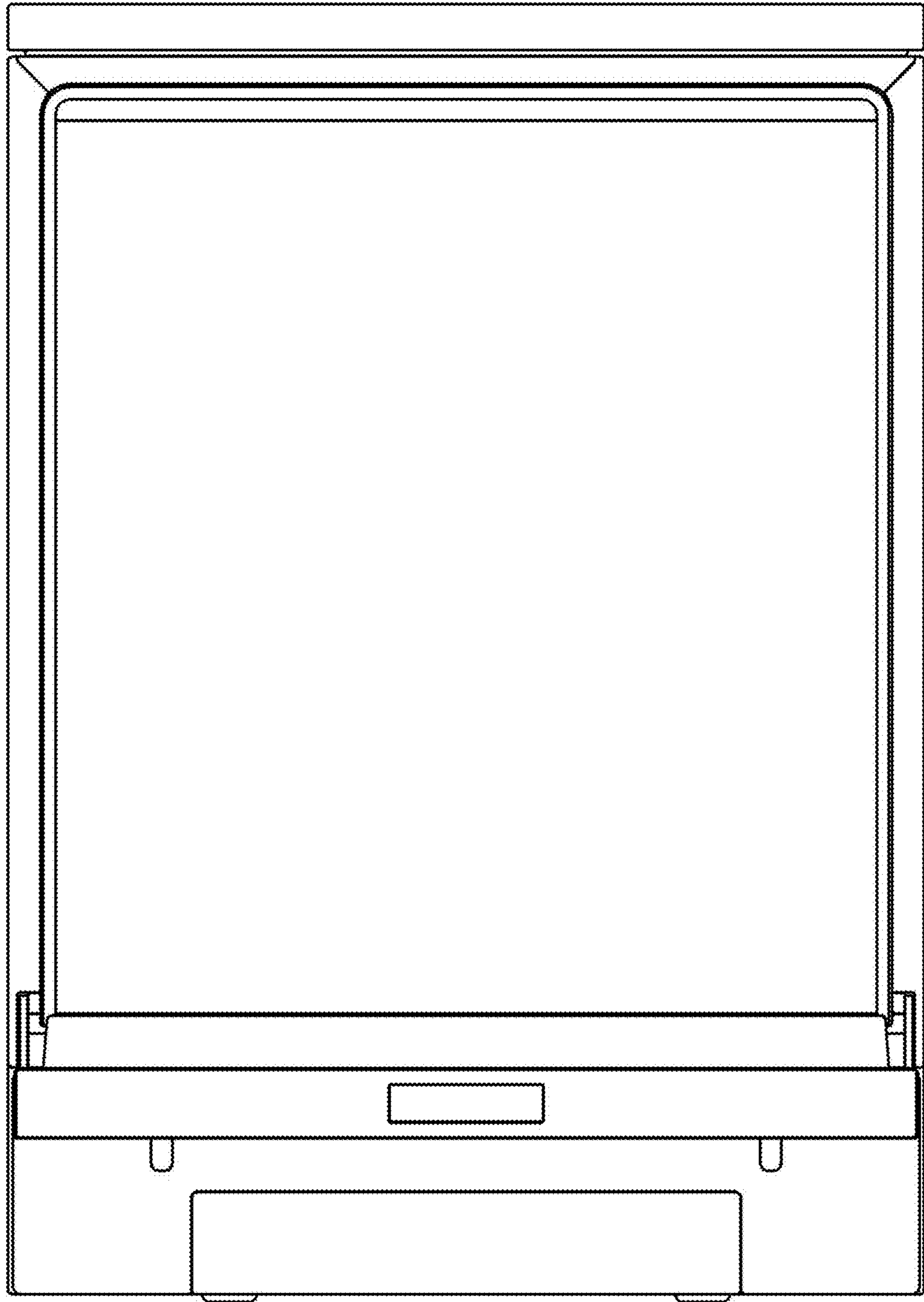
1.9



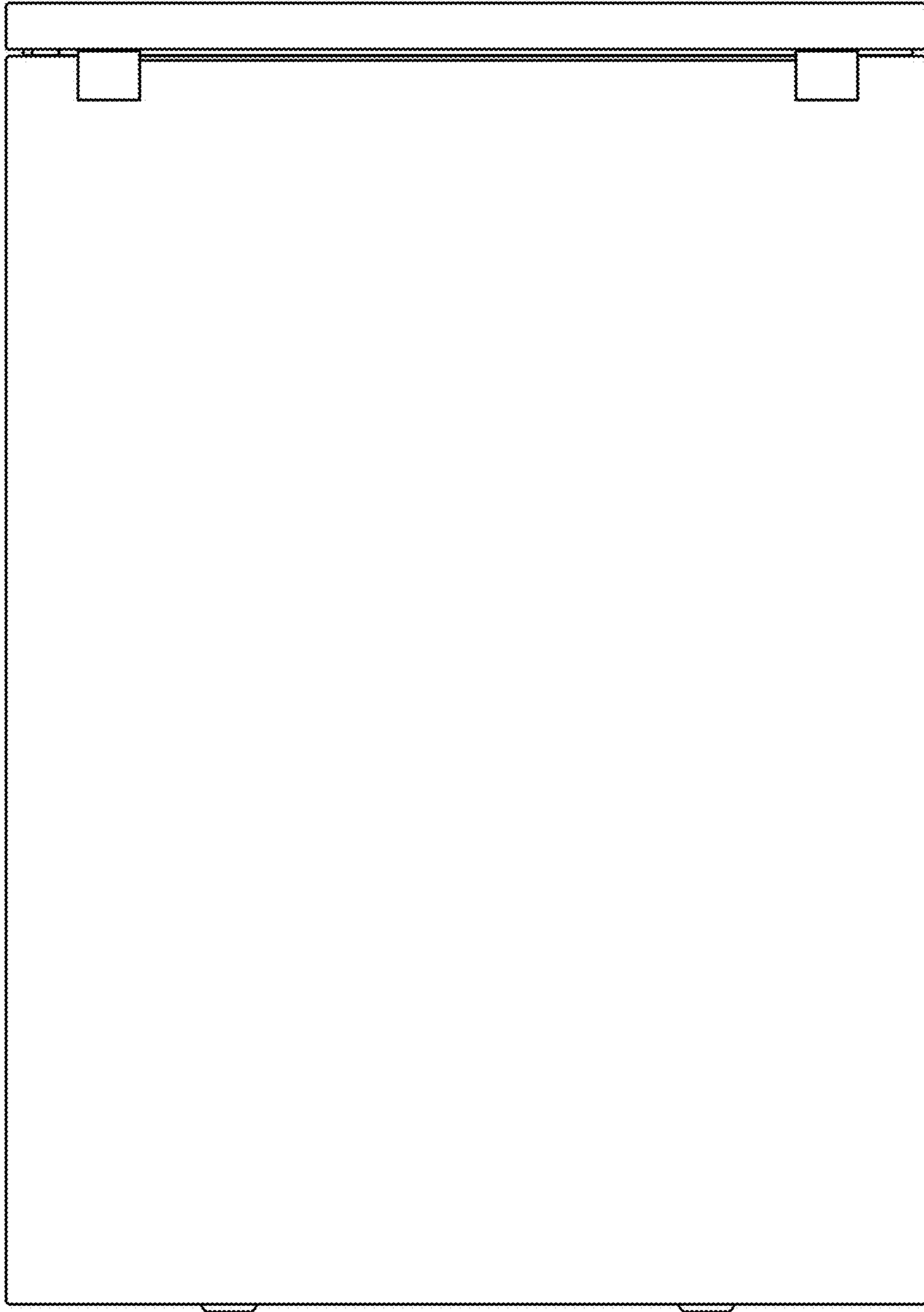
1.10



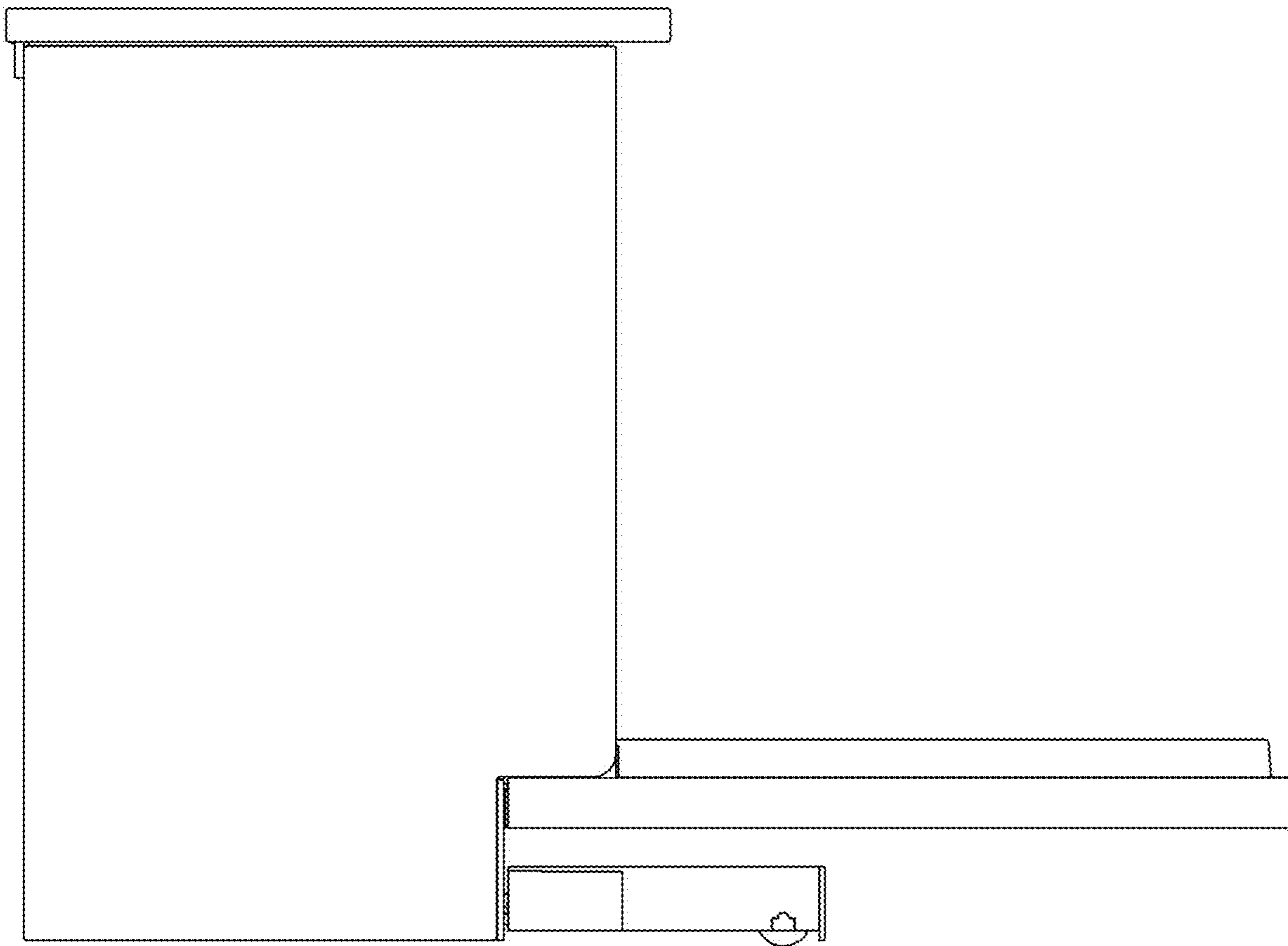
1.11



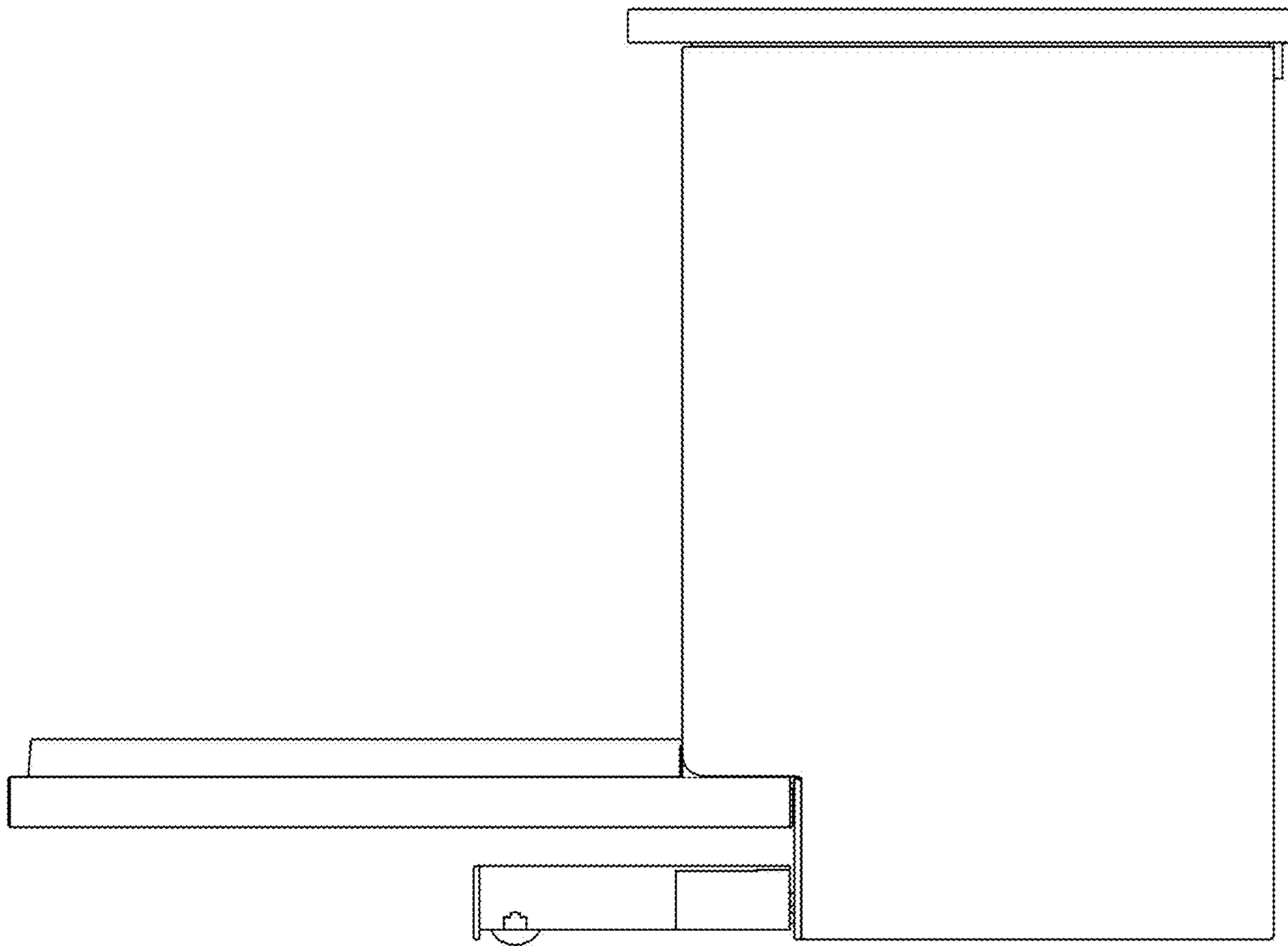
1.12



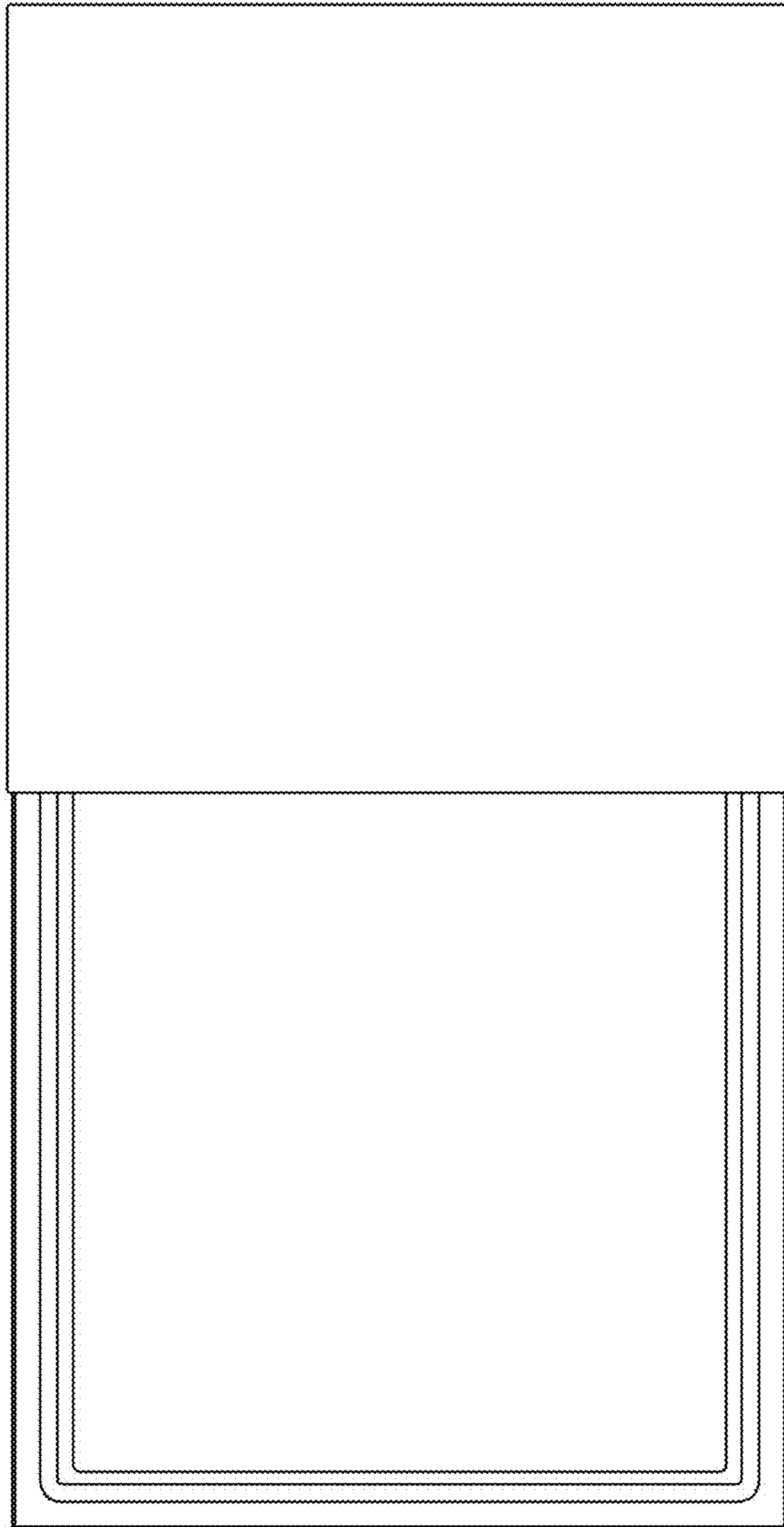
1.13



1.14



1.15



1.16

