

US00D903212S

(12) **United States Design Patent** (10) **Patent No.:** **US D903,212 S**
Qiu (45) **Date of Patent:** **** Nov. 24, 2020**

(54) **PET STAIRS**
(71) Applicant: **Changzhou Canbo Travel Products Co., Ltd.**, Changzhou (CN)
(72) Inventor: **Xichao Qiu**, Shanghai (CN)
(**) Term: **15 Years**
(21) Appl. No.: **29/726,853**
(22) Filed: **Mar. 6, 2020**
(51) **LOC (12) Cl.** **30-99**
(52) **U.S. Cl.**
USPC **D30/199**; D30/119; D34/32
(58) **Field of Classification Search**
USPC D30/108, 114, 116, 119, 120, 199;
D34/32
CPC A01K 1/035; E04F 11/064; E04F 11/066
See application file for complete search history.

(56) **References Cited**

U.S. PATENT DOCUMENTS

2,743,861	A *	5/1956	Mattis	E06C 9/08 182/95
3,180,451	A *	4/1965	Patterson	E04F 11/066 182/106
4,098,039	A *	7/1978	Sutelan	E04B 1/3404 52/236.1
D298,978	S *	12/1988	Van Buskirk	D34/32
D485,021	S	1/2004	Gonzalez		
D555,845	S *	11/2007	Khubani	D30/199
D736,484	S *	8/2015	Jakubowski	D30/199
D756,574	S *	5/2016	Jakubowski	D30/199
9,527,448	B1 *	12/2016	Kay	B60R 3/02
D820,549	S *	6/2018	Giannatti	D34/32
D871,682	S *	12/2019	MacNeil	D30/119

2005/0115522	A1 *	6/2005	Bishop	A01K 1/035 119/847
2014/0123910	A1 *	5/2014	Rorke	A01K 1/035 119/849
2019/0223605	A1 *	7/2019	Caulk	A01K 1/035

OTHER PUBLICATIONS

“Hammacher Schlemmer: The Folding Pet Staircase”. Found online Jul. 6, 2020 at hammacher.com. Reference dated Nov. 8, 2009. Retrieved from <https://www.hammacher.com/product/folding-pet-staircase>.
“Brophy: RV and Camper Steps—4 Steps”. Found online Jul. 6, 2020 at etrailer.com. Reference dated Dec. 29, 2013. Retrieved from <https://tineye.com/search/913eb47ee0d460993260b79593612652959b50af?page=1>.
“Walkin’ Pets: Expanding Pet Steps”. Found online Jul. 6, 2020 at handicappedpets.com. Reference dated Sep. 2, 2010. Retrieved from <https://www.handicappedpets.com/expanding-pet-steps/>.

* cited by examiner

Primary Examiner — Kendra Leslie Hamilton
(74) *Attorney, Agent, or Firm* — ZANIP

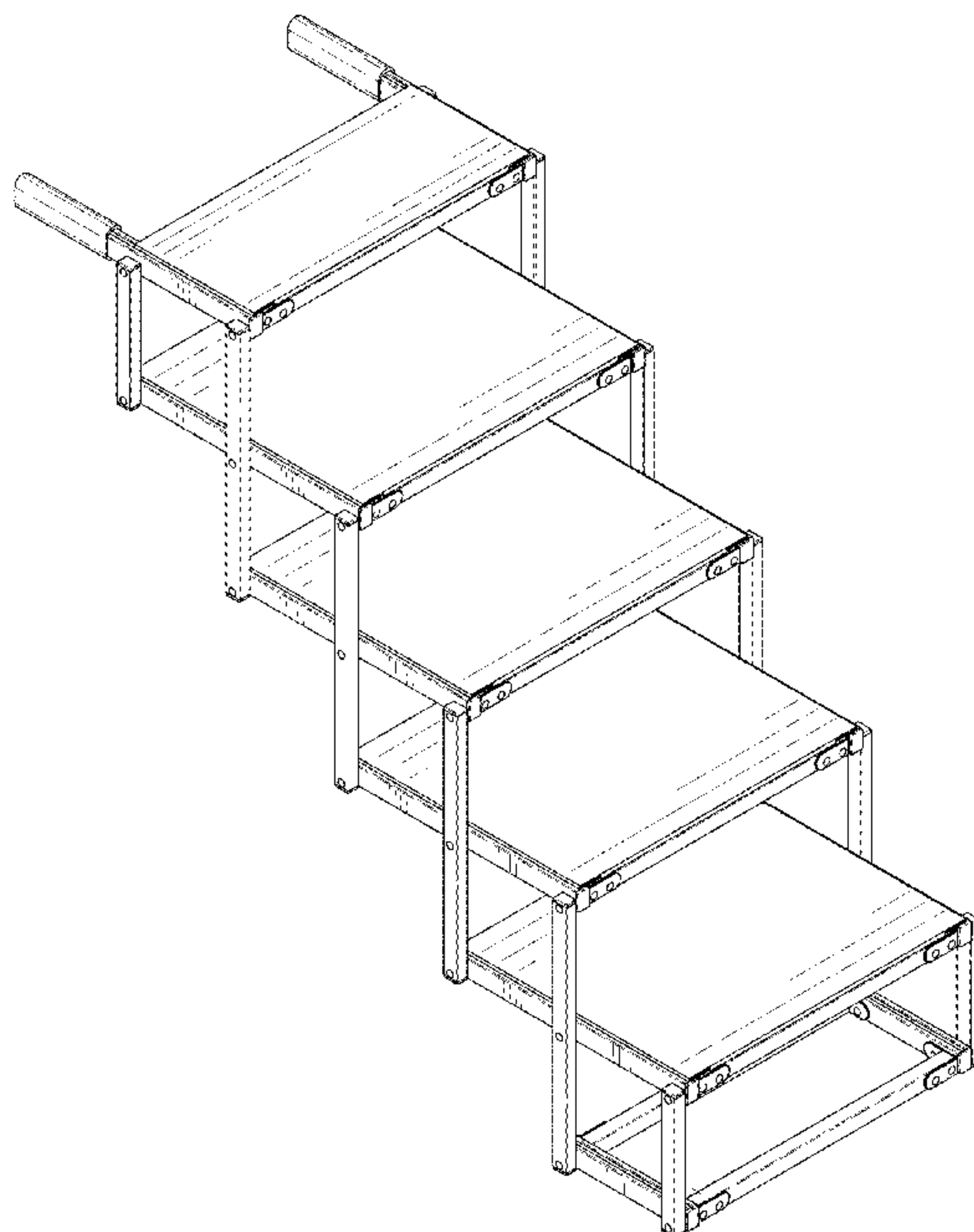
(57) **CLAIM**

The ornamental design for pet stairs, as shown and described.

DESCRIPTION

FIG. 1 is a top, front perspective view of pet stairs, showing my new design;
FIG. 2 is a bottom, rear perspective view thereof;
FIG. 3 is a front elevation view thereof;
FIG. 4 is a rear elevation view thereof;
FIG. 5 is a left side elevation view thereof;
FIG. 6 is a right side elevation view thereof;
FIG. 7 is a top plan view thereof; and,
FIG. 8 is a bottom plan view thereof.

1 Claim, 8 Drawing Sheets



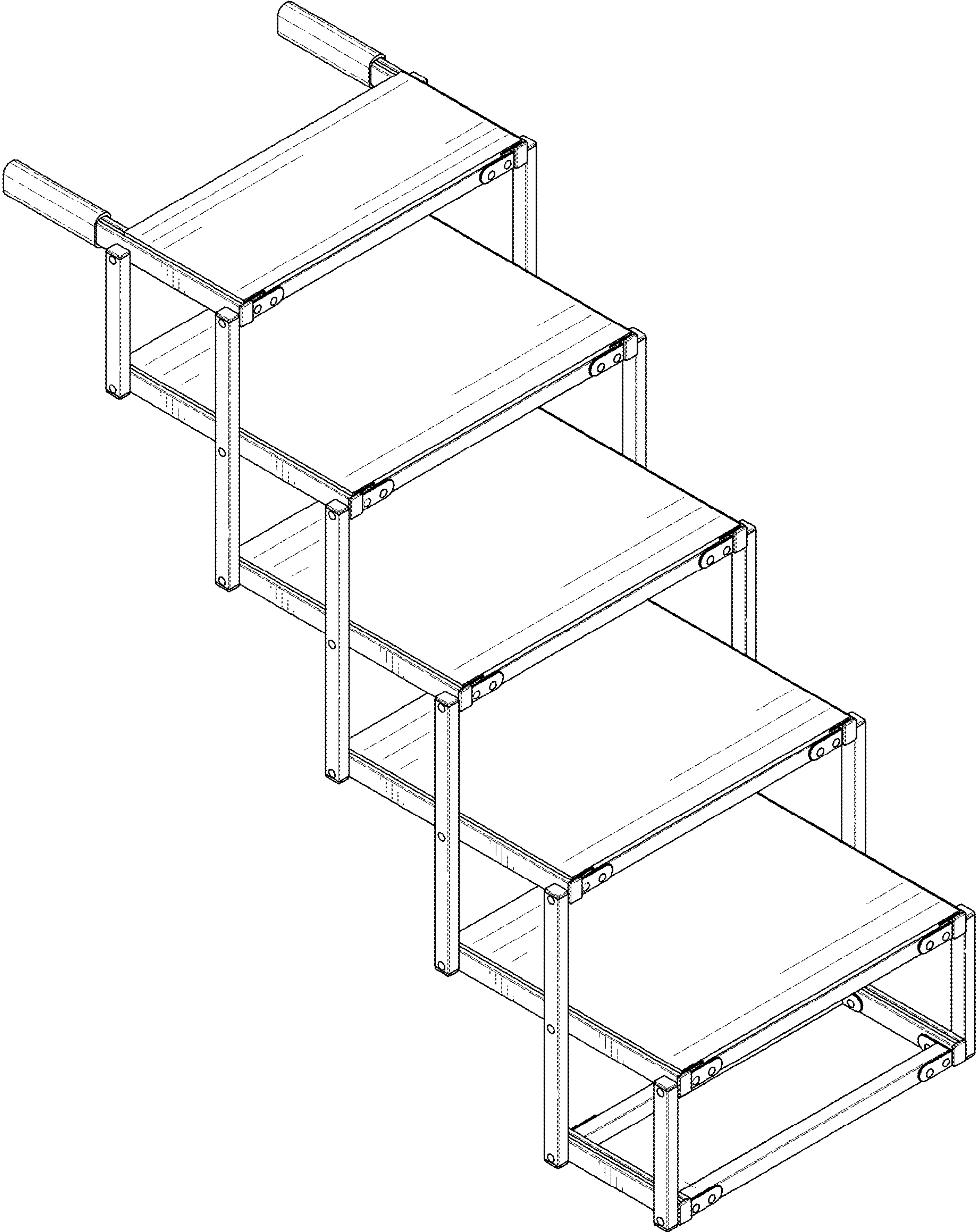


FIG. 1

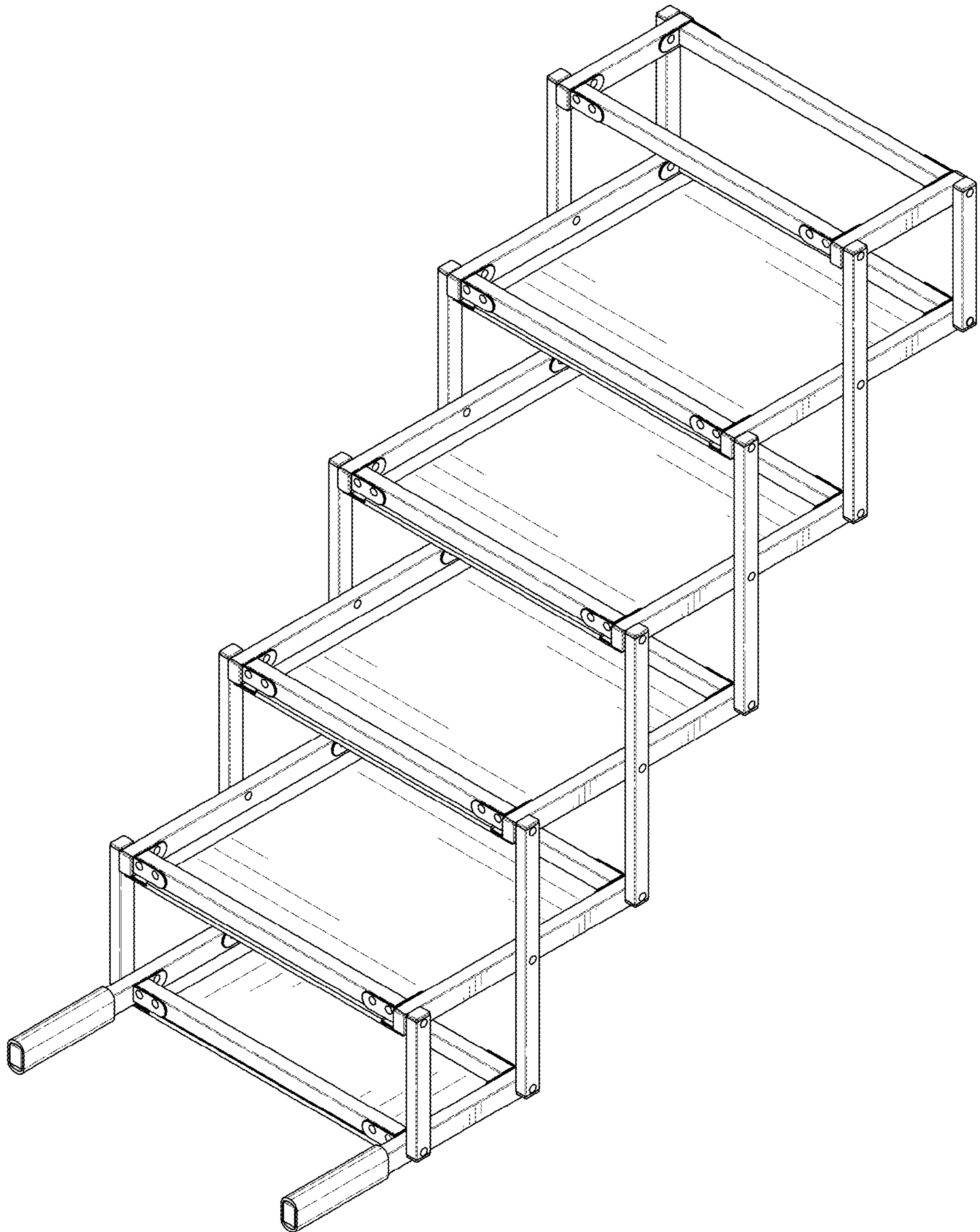


FIG. 2

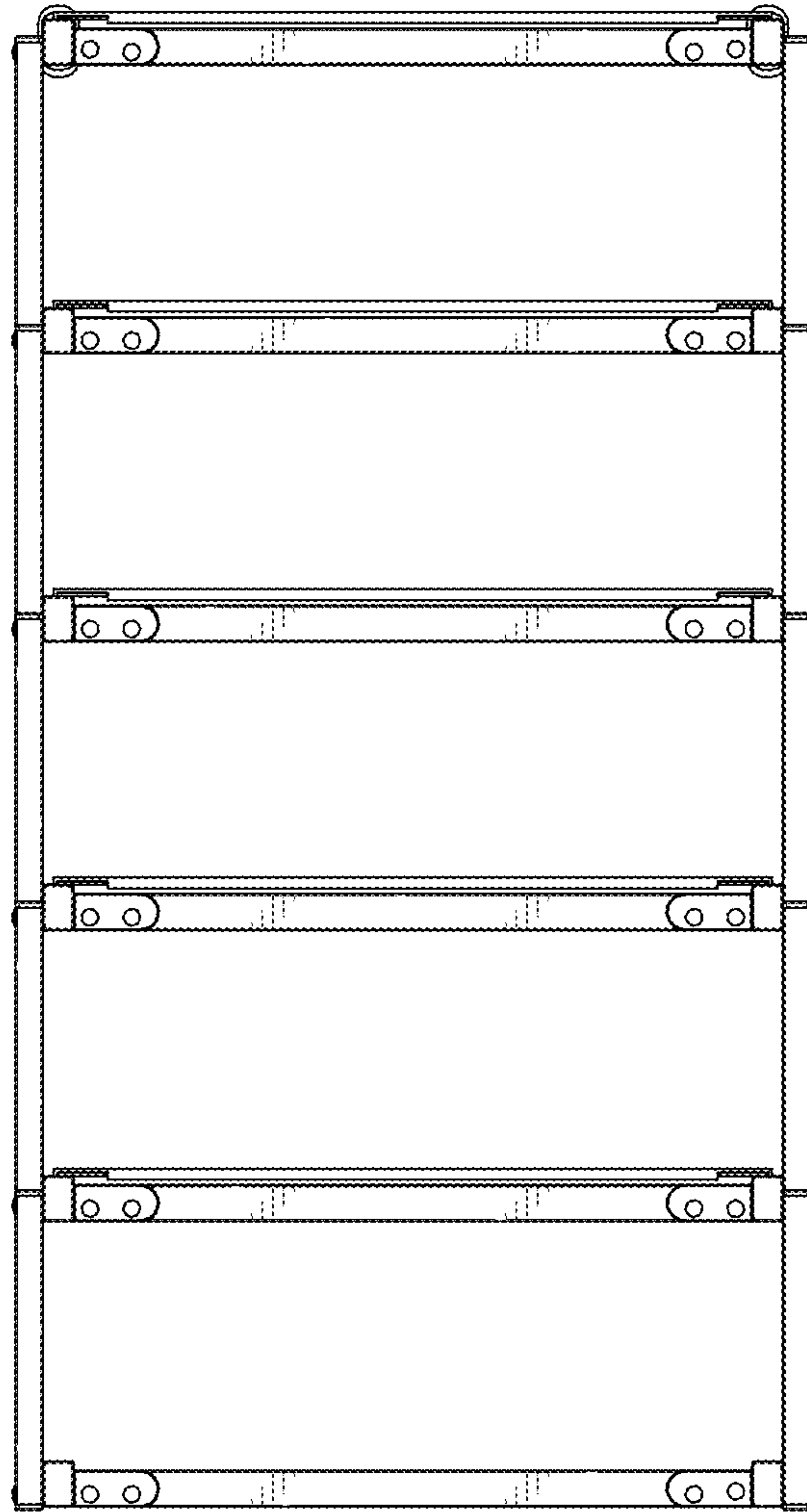


FIG. 3

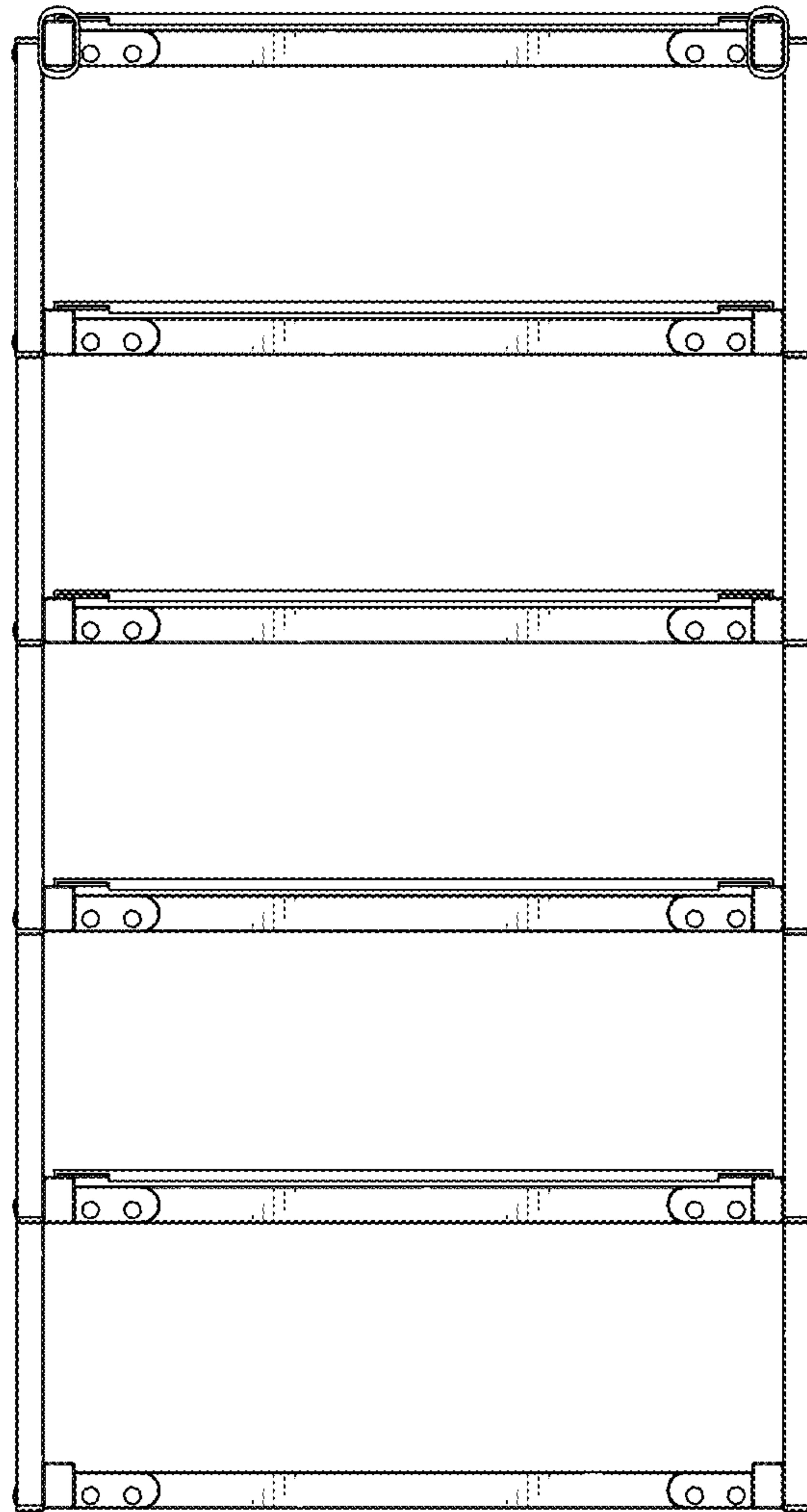


FIG. 4

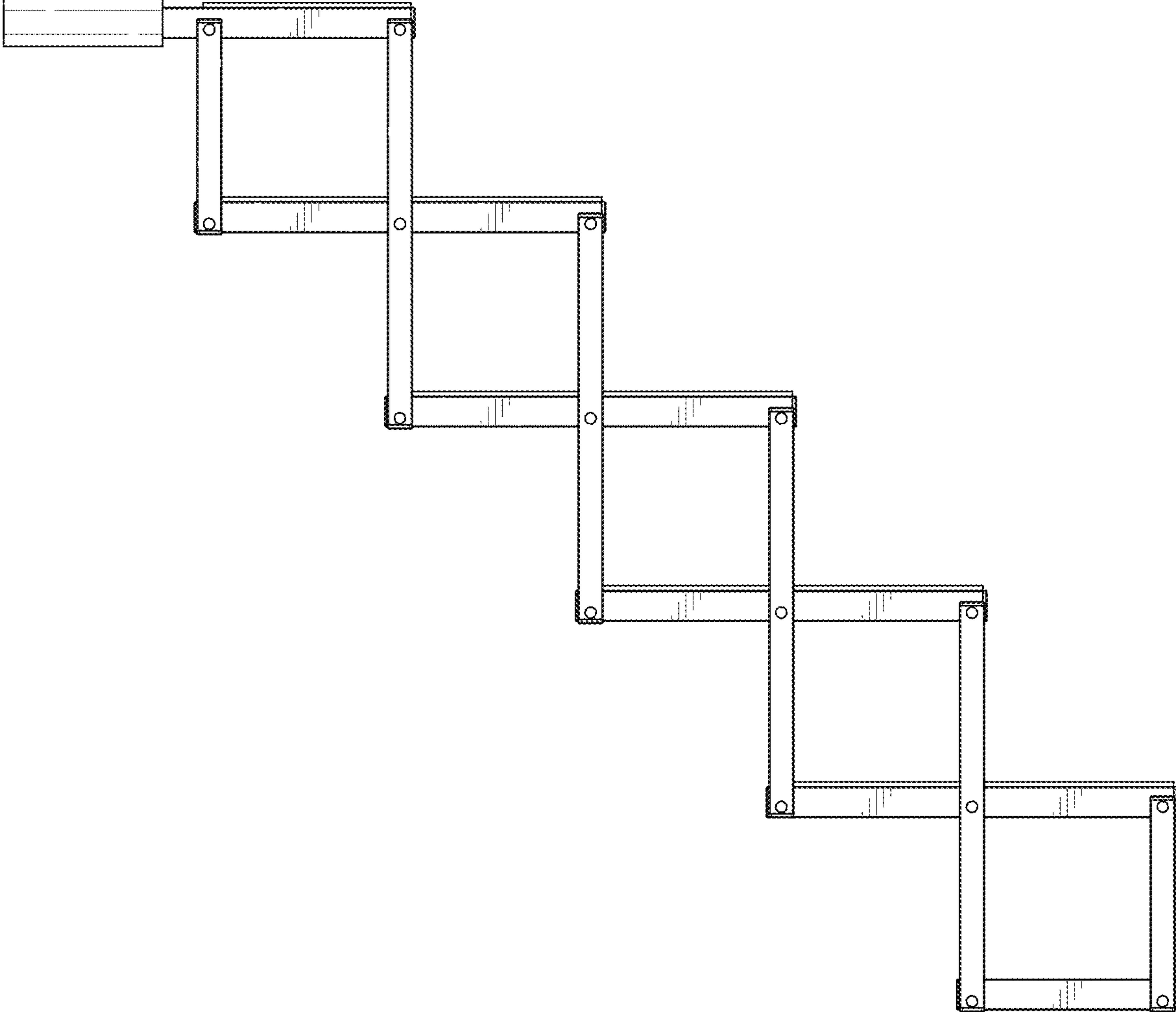


FIG. 5

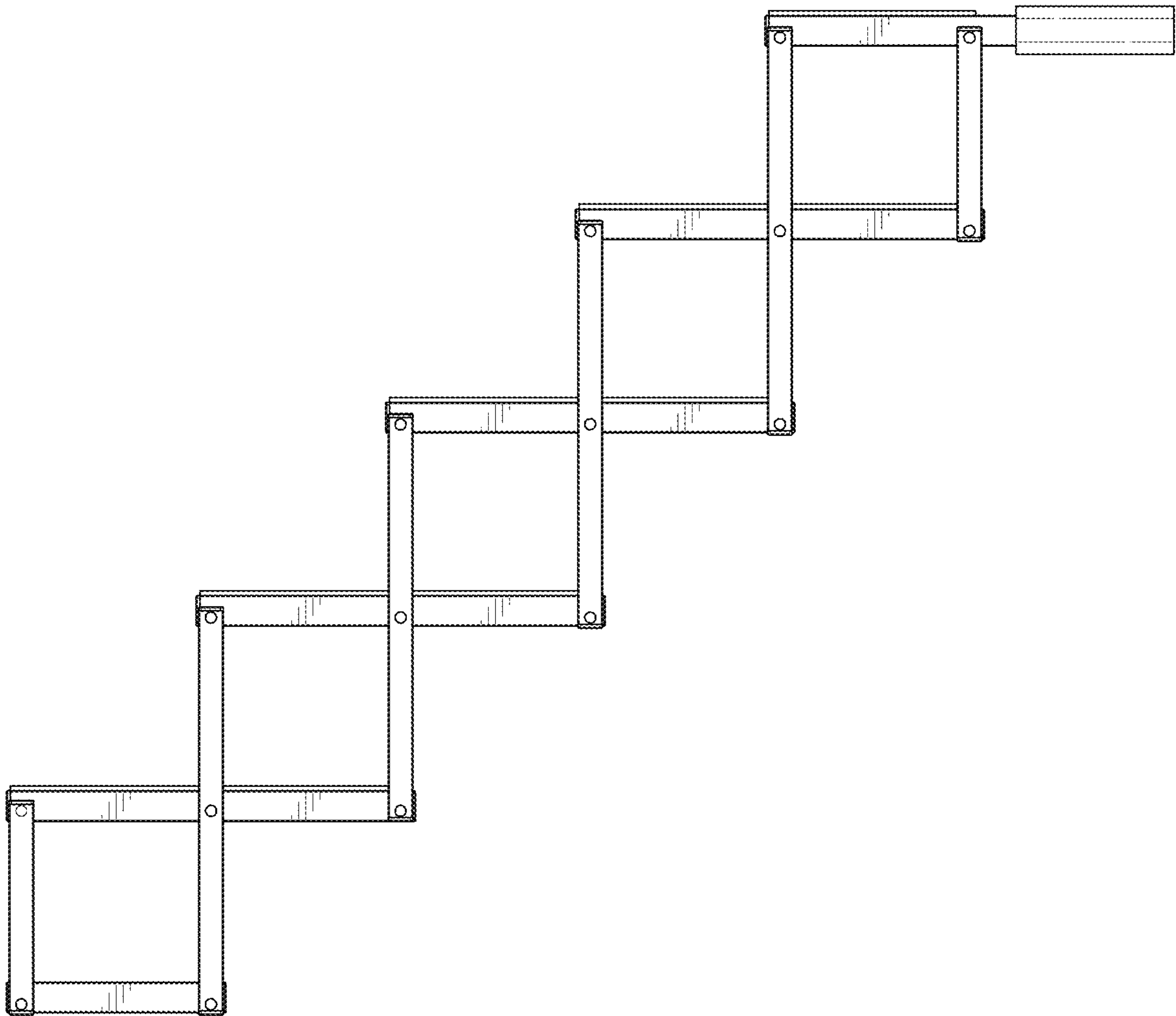


FIG. 6

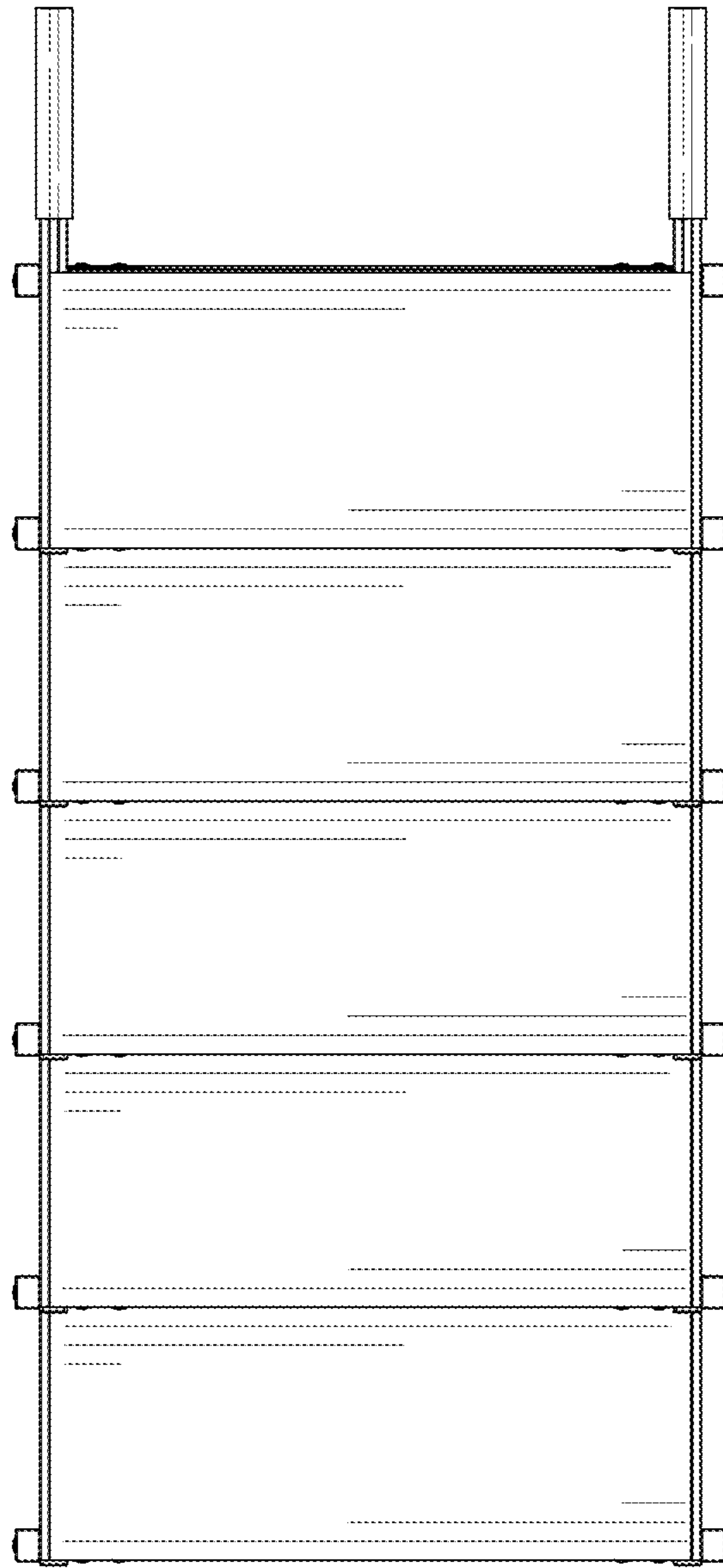


FIG. 7

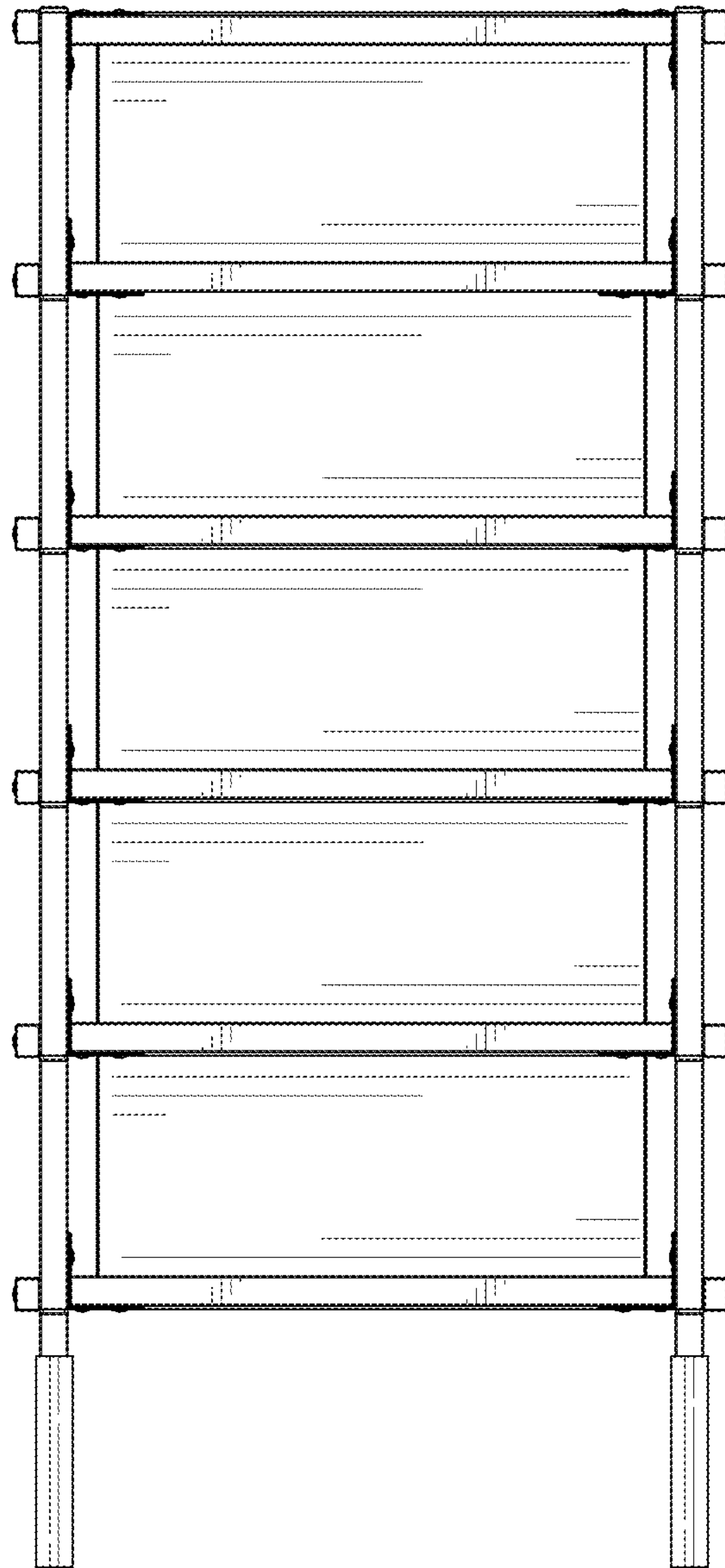


FIG. 8