



US00D903211S

(12) **United States Design Patent**
Gao

(10) **Patent No.:** **US D903,211 S**

(45) **Date of Patent:** **** Nov. 24, 2020**

(54) **DOG POOPER SCOOPER ROD**

(71) Applicant: **Hongtao Gao**, Xiangyang (CN)

(72) Inventor: **Hongtao Gao**, Xiangyang (CN)

(**) Term: **15 Years**

(21) Appl. No.: **29/743,636**

(22) Filed: **Jul. 23, 2020**

(51) **LOC (12) Cl.** **30-99**

(52) **U.S. Cl.**
USPC **D30/162**

(58) **Field of Classification Search**

USPC D30/162, 199; 273/447; D8/1, 4-11, 13, D8/14, 105, 106, 107, 300, 301, 303, 307, D8/310-313, 315-321; D34/1, 10, 28, D34/34, 35; D21/532; D29/124; D7/642, 644, 683, 685, 686, 687, 688, D7/393, 648; 119/867, 161; 294/1.3-1.5, 19.2, 19.3, 86.4, 86.11, 294/86.19, 86.42, 86.12, 86.17, 86.2, 294/86.21, 86.24, 86.26, 86.32, 87.26, 294/196-198, 210, 111, 49-58, 176, 294/180-182, 179; 132/273, 277, 283, 132/284, 128-156, 236, 252, 259-263; 15/257.1, 228, 229.2, 119.1, 119.2, 120.2, 15/104.001, 120.1, 144.3, 145; 446/424-428, 491, 330, 86; 56/400.17, 56/400.01, 400.04-400.11, 400.1, 400.14, 56/400.16, 400.21; 172/371, 373-375, 172/378, 379, 381; D32/38-40, 44, 50, D32/52, 74, 35; 16/110.1, 111.1, 421, 16/422, 429, 430, 444
CPC A01K 1/01; A01K 1/0128; A01K 1/0132; A01K 23/005; E01H 1/1206; E01H 1/12; E01H 1/1213; E01H 2001/122; E01H 2001/1226; E01H 2001/1233; E01H 2001/1246; E01H 2001/1293; A63H 17/266; A63H 17/12; A63H 17/26; A63H 23/005; A63H 23/16; A63H 33/3044; A63H 33/3072; B25J 1/02; B25J 1/06;

A01B 1/20; A01B 1/22; A01B 1/227; A01D 7/00; A01D 7/02; A01D 7/04; A01D 7/06; A01D 7/08; A01D 7/10; A01D 11/00; A01D

(Continued)

(56) **References Cited**

U.S. PATENT DOCUMENTS

2,987,749 A * 6/1961 Gortner A47L 13/52
15/257.7
3,345,670 A * 10/1967 Charie A47L 13/52
15/257.1

(Continued)

Primary Examiner — Susan Moon Lee

(74) *Attorney, Agent, or Firm* — Erson IP (Nelson IP)

(57) **CLAIM**

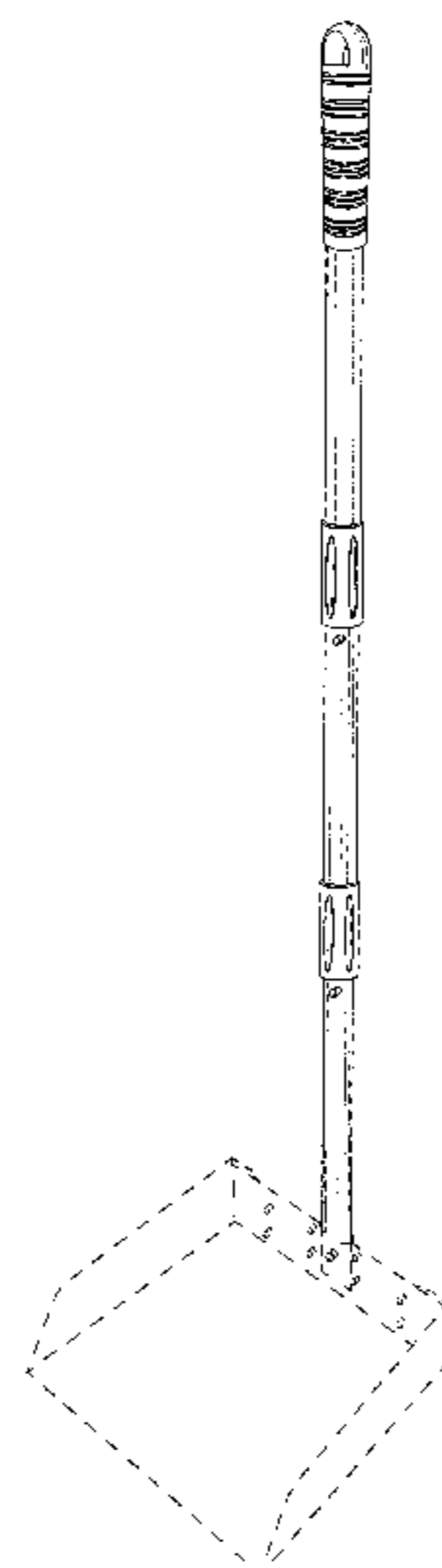
The ornamental design for a dog pooper scooper rod, as shown and described.

DESCRIPTION

FIG. 1 is a front, disassembled view of a dog pooper scooper rod in accordance with the present design;
FIG. 2 is a rear view thereof;
FIG. 3 is a left side view thereof;
FIG. 4 is a right side view thereof;
FIG. 5 is a top plan view thereof;
FIG. 6 is a bottom plan view thereof;
FIG. 7 is an assembled, perspective view of the dog pooper scooper rod;
FIG. 8 is a front view thereof;
FIG. 9 is a rear view thereof;
FIG. 10 is a left side view thereof;
FIG. 11 is a right side view thereof;
FIG. 12 is a top plan view thereof; and,
FIG. 13 is bottom plan view thereof.

The broken lines depict environmental features for illustrative purposes only and form no part of the claimed design.

1 Claim, 12 Drawing Sheets



US D903,211 S

(58) **Field of Classification Search**
 CPC ... 11/06; B25G 1/00; B25G 1/04; B25G 3/30;
 E04D 15/00; E04D 15/003; E04D 15/006;
 Y10T 403/40; Y10T 403/46; Y10T
 403/7005; A46B 2200/302; A46B
 2200/3026; A46B 2200/3073; A46B
 5/002; A46B 5/0033; A46B 5/0041; A46B
 5/005; A46B 5/0054; A46B 5/0058; A46B
 5/0079; A46B 5/0083; A46B 5/026;
 B24D 13/045; B25B 23/16

See application file for complete search history.

(56) **References Cited**
 U.S. PATENT DOCUMENTS

3,562,840 A * 2/1971 Meszaros A47L 13/52
 15/257.4
 3,868,135 A * 2/1975 Magliaro A01K 23/005
 294/1.5
 3,882,569 A * 5/1975 Vanderveer F16B 2/245
 16/427
 4,042,269 A * 8/1977 Skermetta A01K 23/005
 294/1.5
 4,143,899 A * 3/1979 Wetherall A46B 15/00
 294/50.9
 D284,897 S * 7/1986 Rubio D32/50
 4,793,646 A * 12/1988 Michaud, Jr. B63B 21/54
 114/221 R
 D306,924 S * 3/1990 Shapton D32/40
 D317,108 S * 5/1991 Cochran D8/10
 5,033,781 A * 7/1991 Flood E01H 1/1206
 294/1.4
 5,039,149 A * 8/1991 Gish E01H 1/1206
 294/1.4
 D330,321 S * 10/1992 Berti D8/107
 D333,888 S * 3/1993 Visser 294/1.4
 D342,358 S * 12/1993 Castro D32/74
 5,269,575 A * 12/1993 Parvareesh A01K 23/005
 294/1.5
 5,367,737 A * 11/1994 Vosbikian A47L 13/52
 15/144.1
 5,473,790 A * 12/1995 Desmarais A47L 13/52
 15/257.7
 5,509,163 A * 4/1996 Morad A47L 13/142
 15/120.1
 5,548,864 A * 8/1996 Vosbikian A47L 13/52
 15/144.1
 D374,110 S * 9/1996 Hull 294/1.4
 5,566,417 A * 10/1996 Hsieh A47L 13/142
 15/120.1
 D384,458 S * 9/1997 Schroeck D32/51
 5,661,868 A * 9/1997 Panagakos A46B 5/0033
 15/144.4
 D391,131 S * 2/1998 Lehn D30/162
 D403,939 S * 1/1999 Zurwelle D8/107
 5,868,447 A * 2/1999 Clark E01H 1/1206
 15/257.3
 5,890,253 A * 4/1999 Morad A47L 13/142
 15/120.1
 D409,804 S * 5/1999 Nunes D30/162
 5,921,596 A * 7/1999 Sheriff B07B 1/02
 209/418
 6,125,494 A * 10/2000 Morad A47L 13/14
 15/120.1
 6,182,539 B1 * 2/2001 Webster B25B 23/0021
 81/177.2
 6,196,600 B1 * 3/2001 Miller E01H 1/1206
 15/257.7
 6,212,727 B1 * 4/2001 Bendor A47L 13/142
 15/120.1
 D458,722 S * 6/2002 Romero D32/52
 D469,231 S * 1/2003 Vosbikian D32/50
 6,526,617 B1 * 3/2003 Dingert A47L 13/142
 15/120.1

6,625,838 B2 * 9/2003 Laux A47L 13/142
 15/120.1
 6,637,791 B1 * 10/2003 Steadman E01H 1/1206
 15/257.6
 D482,530 S * 11/2003 Evans D32/50
 6,732,396 B2 * 5/2004 Laux A47L 13/142
 15/116.1
 6,883,264 B1 * 4/2005 Gimbel A01K 81/04
 43/6
 D509,963 S * 9/2005 Hay D4/135
 D510,467 S * 10/2005 Kizaki D32/38
 7,089,622 B2 * 8/2006 Sampaio A47L 13/14
 15/120.1
 7,093,315 B2 * 8/2006 Cavalheiro A47L 13/142
 15/120.1
 D530,050 S * 10/2006 Bizzotto D32/50
 D542,493 S * 5/2007 Berti D32/52
 D543,426 S * 5/2007 Donaldson D8/10
 7,260,865 B2 * 8/2007 Lesley A47L 13/142
 15/120.1
 D551,820 S 9/2007 Morad
 D564,718 S * 3/2008 Meyer D30/162
 D585,616 S * 1/2009 Libman D32/51
 D586,967 S * 2/2009 Libman D32/51
 7,484,859 B1 * 2/2009 Burke A47L 13/52
 15/257.1
 7,500,281 B2 * 3/2009 Dingert A47L 13/142
 15/120.1
 D600,022 S * 9/2009 Busschaert D4/102
 D616,618 S * 5/2010 Pearcey D30/162
 D618,402 S * 6/2010 Larman D30/162
 D622,018 S * 8/2010 Renner D32/50
 D634,087 S * 3/2011 Sgroi D32/40
 D634,490 S * 3/2011 Weber D30/162
 7,921,505 B1 * 4/2011 Moore B25G 1/06
 15/257.2
 D644,386 S * 8/2011 Tawara D32/51
 D652,138 S * 1/2012 Nino D24/133
 8,100,446 B1 * 1/2012 Moore B25G 1/06
 294/1.4
 D662,268 S * 6/2012 Pearcey D30/162
 8,220,101 B2 * 7/2012 Chen B25G 1/00
 15/119.1
 D665,954 S * 8/2012 Diehl D30/162
 D665,960 S * 8/2012 Menius D32/51
 D667,598 S * 9/2012 Menius D32/51
 8,272,105 B2 * 9/2012 Roman B25G 3/38
 16/429
 8,291,538 B2 * 10/2012 Yang A47L 13/142
 15/119.1
 D670,150 S * 11/2012 Angel D8/107
 D670,151 S * 11/2012 Angel D8/107
 D674,979 S * 1/2013 Girardot D32/35
 D677,031 S * 2/2013 Best D32/50
 D677,849 S * 3/2013 Petersen D32/74
 D685,969 S * 7/2013 Smith D32/50
 D699,412 S * 2/2014 Smith D32/50
 8,793,831 B2 * 8/2014 Katou A47L 13/256
 15/228
 D716,055 S * 10/2014 Kassem Llano D4/138
 D718,011 S * 11/2014 Lentine D32/52
 8,959,697 B2 * 2/2015 Yu A47L 13/14
 15/119.1
 9,179,597 B1 * 11/2015 Kaspar A01D 34/6812
 9,228,307 B2 * 1/2016 Dixit E01H 1/1206
 9,241,560 B1 * 1/2016 Angel A46B 11/063
 9,474,428 B2 * 10/2016 Sampaio A46B 5/0095
 D774,376 S * 12/2016 Zhang D8/107
 9,528,233 B2 * 12/2016 Parazynski A01K 29/00
 9,609,849 B1 * 4/2017 Hyman, Jr. A01K 23/005
 D789,637 S * 6/2017 Dobson, III D32/51
 9,850,632 B1 * 12/2017 Hays E01H 1/1206
 D811,181 S * 2/2018 Koehler D8/10
 D819,906 S * 6/2018 Beyda D32/40
 D822,299 S * 7/2018 Fair D32/50
 10,118,284 B2 * 11/2018 Niccolai B25G 3/04
 D843,526 S * 3/2019 Carpinelli D21/694
 D853,670 S * 7/2019 Hu D32/40

(56)

References Cited

U.S. PATENT DOCUMENTS

D863,707 S * 10/2019 Thompson D32/50
 D874,751 S * 2/2020 Smith D30/162
 D875,339 S * 2/2020 Tullney D32/51
 10,577,765 B2 * 3/2020 Fulbrook E01H 1/1206
 D882,902 S 4/2020 Schouten et al.
 RE48,036 E * 6/2020 Bast B25G 1/00
 D8/107
 D893,977 S * 8/2020 Staniszewski D8/107
 D896,451 S * 9/2020 Perez D30/162
 2002/0092105 A1 * 7/2002 Laux A47L 13/142
 15/120.1
 2003/0204926 A1 * 11/2003 Jurgens B25G 1/04
 15/144.3
 2003/0208867 A1 * 11/2003 Laux A47L 13/142
 15/120.1
 2004/0124646 A1 * 7/2004 Peko A01K 23/005
 294/1.4
 2004/0164568 A1 * 8/2004 Diehl A01K 23/005
 294/1.4
 2006/0123575 A1 * 6/2006 Maloney A47L 13/24
 15/144.1
 2006/0243866 A1 * 11/2006 Demus E01H 1/1206
 248/99
 2007/0240268 A1 * 10/2007 Le A47L 13/20
 15/98
 2009/0058114 A1 * 3/2009 Diehl E01H 1/1206
 294/1.4
 2009/0072559 A1 * 3/2009 Wilkerson E01H 1/1206
 294/1.4
 2009/0307855 A1 * 12/2009 Kao A47L 13/142
 15/3
 2009/0307856 A1 * 12/2009 Fischer A47L 13/258
 15/97.1
 2010/0218327 A1 * 9/2010 Chen A47L 13/142
 15/228

2011/0095213 A1 * 4/2011 Roman F15B 15/16
 251/12
 2011/0154602 A1 * 6/2011 Chen B25G 1/00
 15/228
 2011/0225752 A1 * 9/2011 Yu B25G 1/04
 15/119.1
 2011/0239389 A1 * 10/2011 Ting A47L 13/58
 15/120.2
 2011/0247163 A1 * 10/2011 Chen A47L 13/142
 15/228
 2011/0271472 A1 * 11/2011 Yang A46B 5/0095
 15/147.1
 2012/0080894 A1 * 4/2012 Williamson A01K 23/005
 294/1.4
 2012/0090122 A1 * 4/2012 Lin A47L 13/58
 15/228
 2012/0233794 A1 * 9/2012 Yu A47L 13/14
 15/98
 2012/0235431 A1 * 9/2012 Beaton E01H 1/1206
 294/1.3
 2012/0311805 A1 * 12/2012 Hasegawa A47L 13/16
 15/231
 2013/0104328 A1 * 5/2013 Weaver A46B 5/0054
 15/119.1
 2013/0247322 A1 * 9/2013 Hasegawa A47L 13/16
 15/231
 2013/0313842 A1 * 11/2013 McNair E01H 1/1206
 294/1.4
 2015/0102618 A1 * 4/2015 Dixit E01H 1/1206
 294/1.4
 2015/0115634 A1 * 4/2015 Young E01H 1/1206
 294/1.4
 2016/0113382 A1 * 4/2016 Sampaio A46B 5/0095
 15/104.8
 2016/0128462 A1 * 5/2016 Hoff A46B 15/0055
 15/105
 2016/0312420 A1 * 10/2016 Parazynski E01H 1/1206
 2018/0317735 A1 * 11/2018 Dobson, III A47L 13/52

* cited by examiner

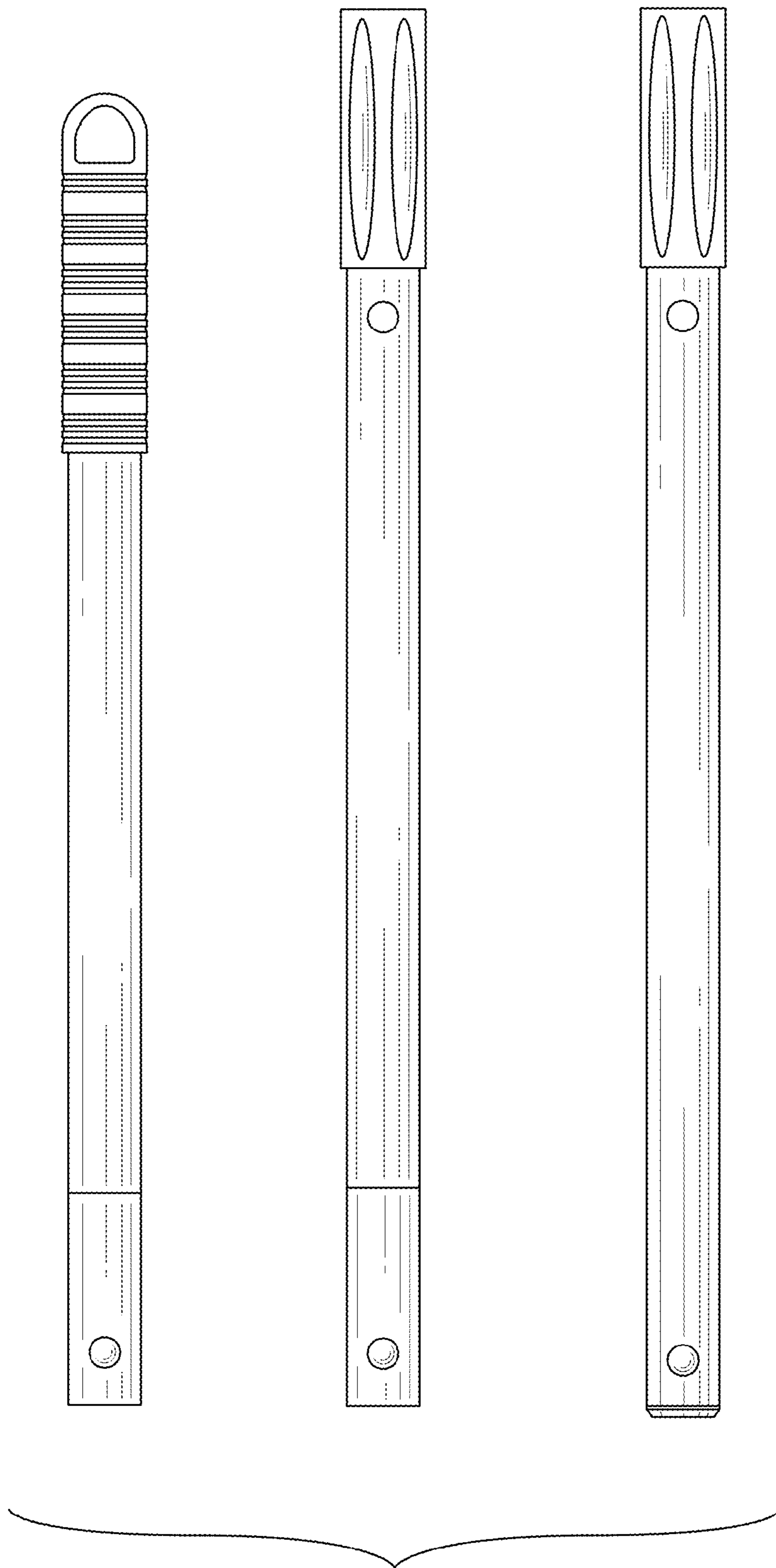


FIG. 1

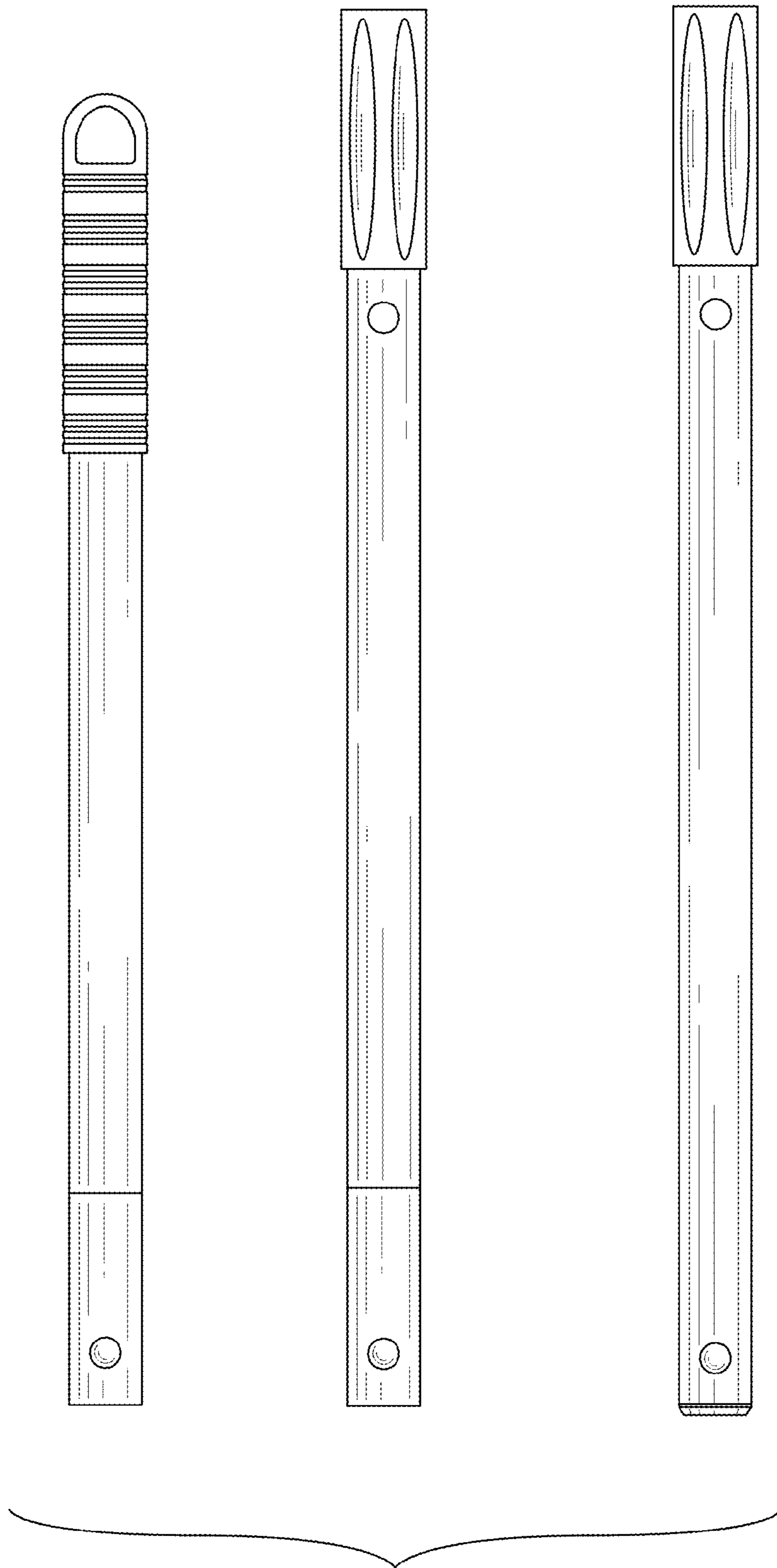


FIG. 2

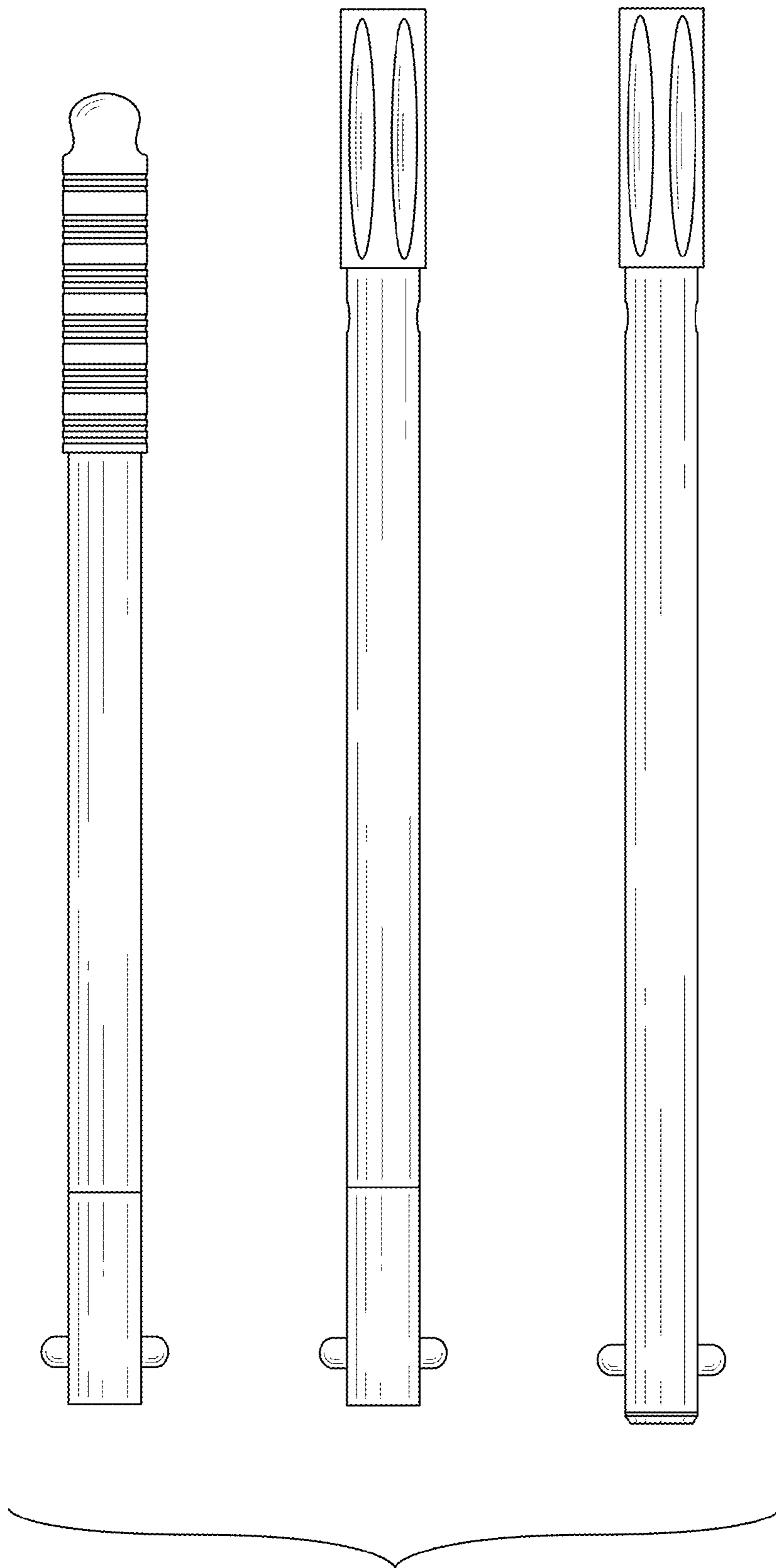


FIG. 3

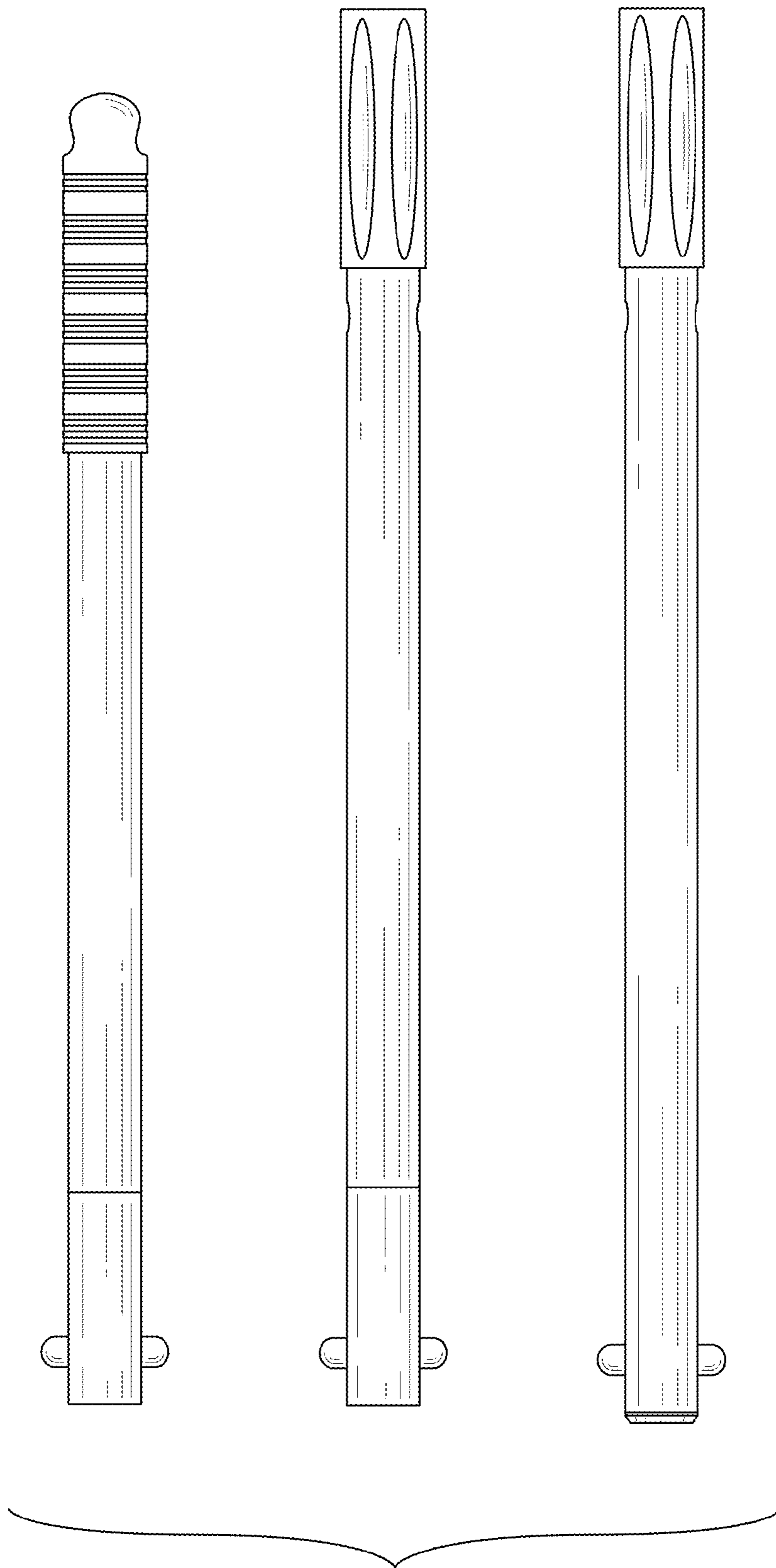


FIG. 4

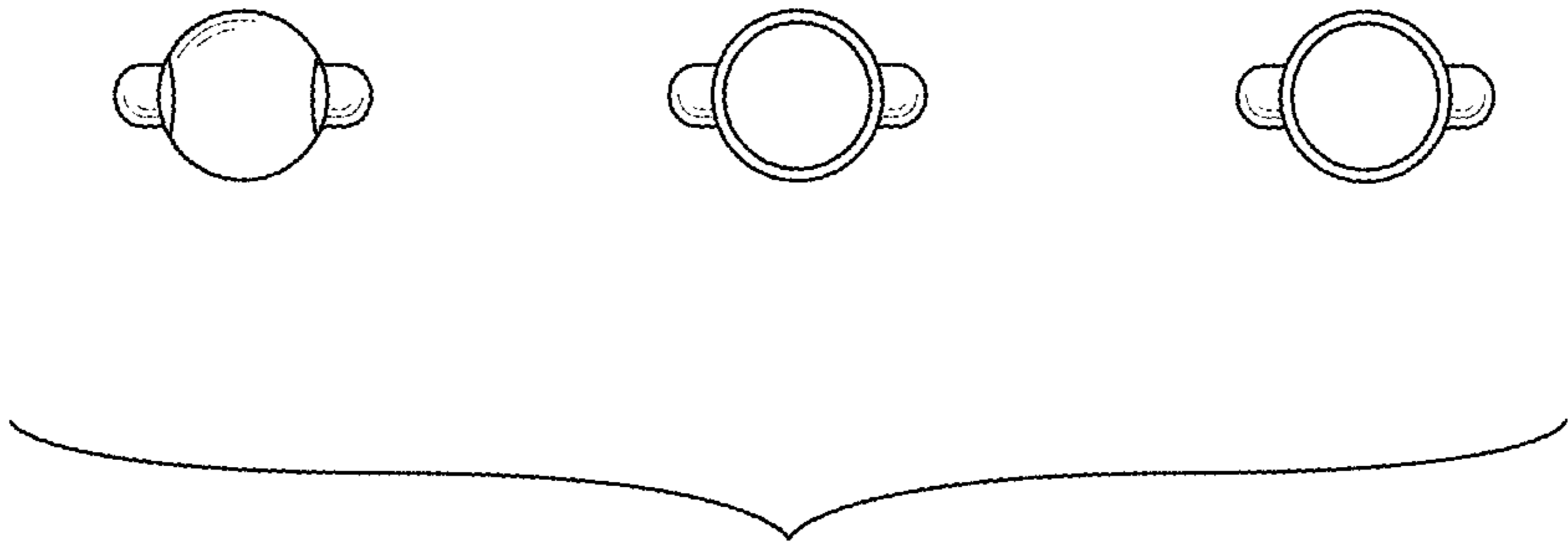


FIG. 5

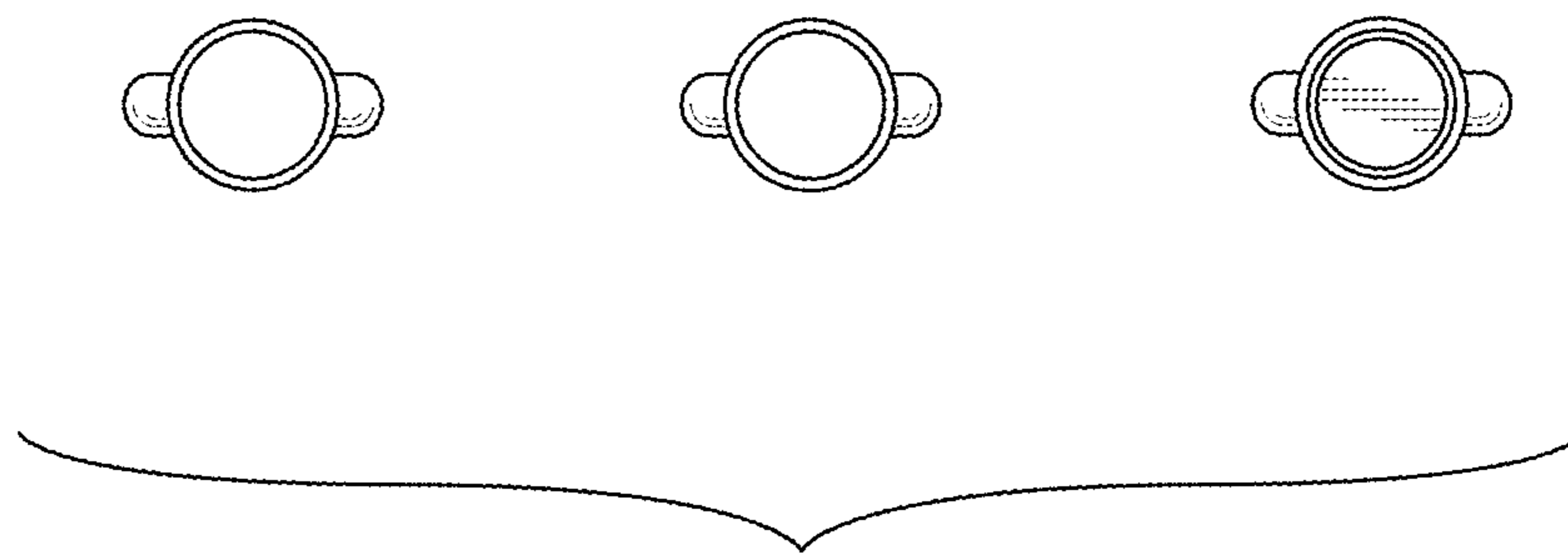


FIG. 6

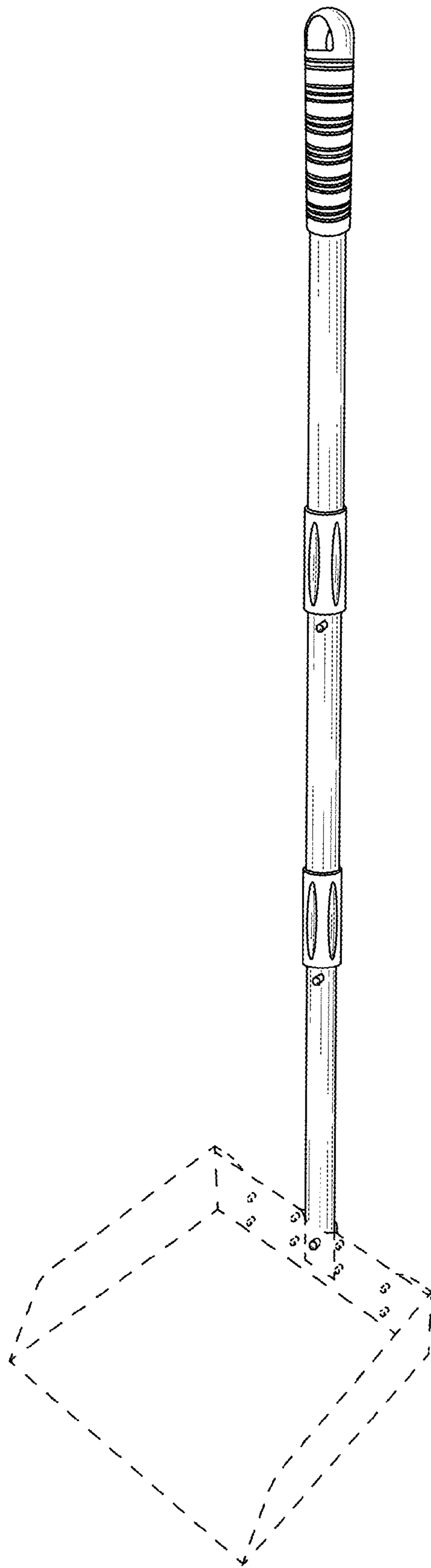


FIG. 7

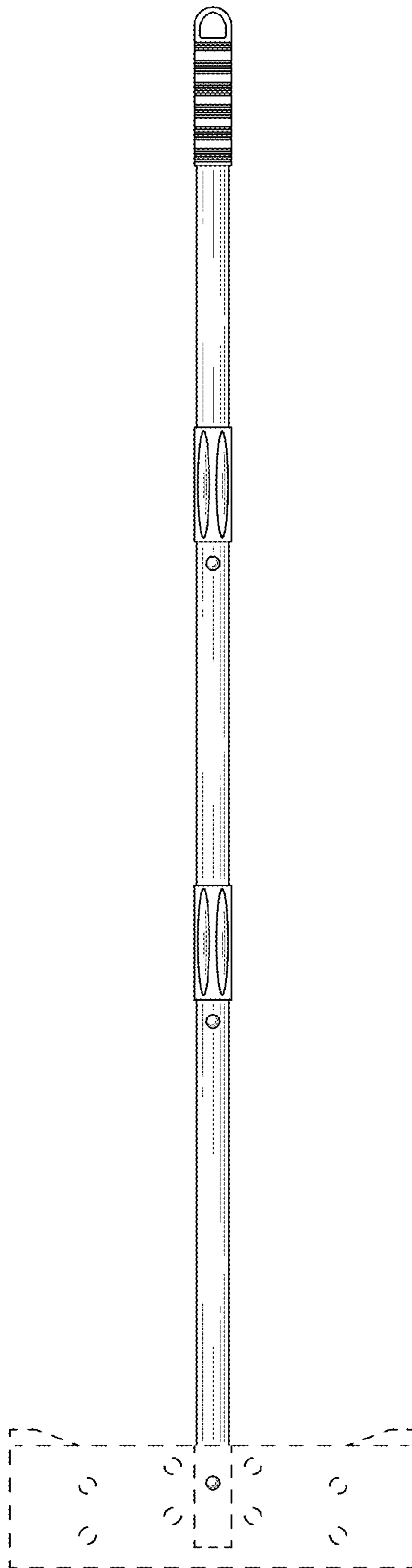


FIG. 8

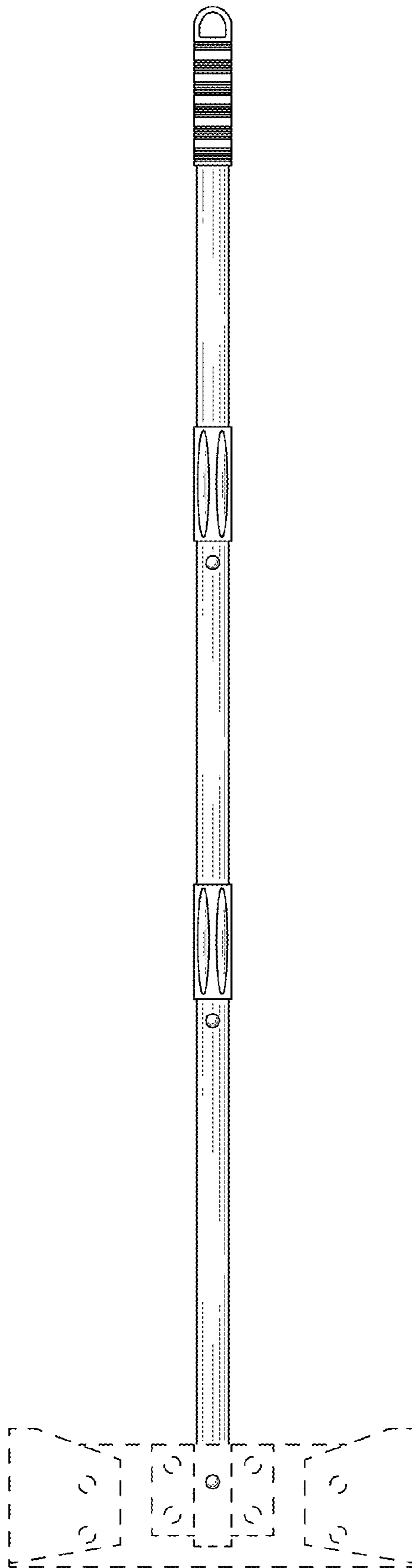


FIG. 9

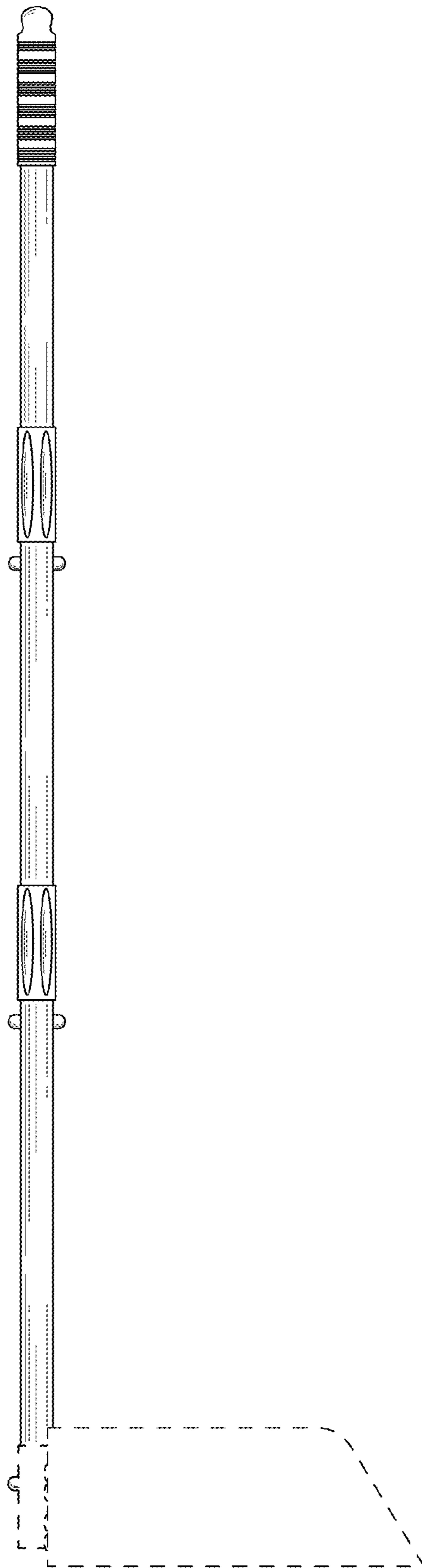


FIG. 10

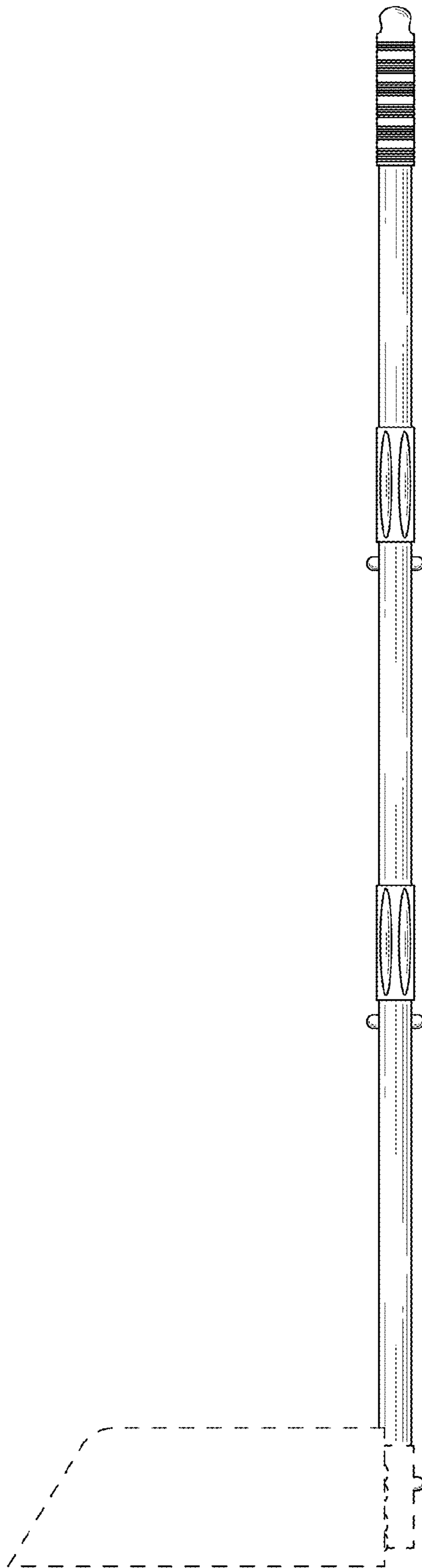


FIG. 11

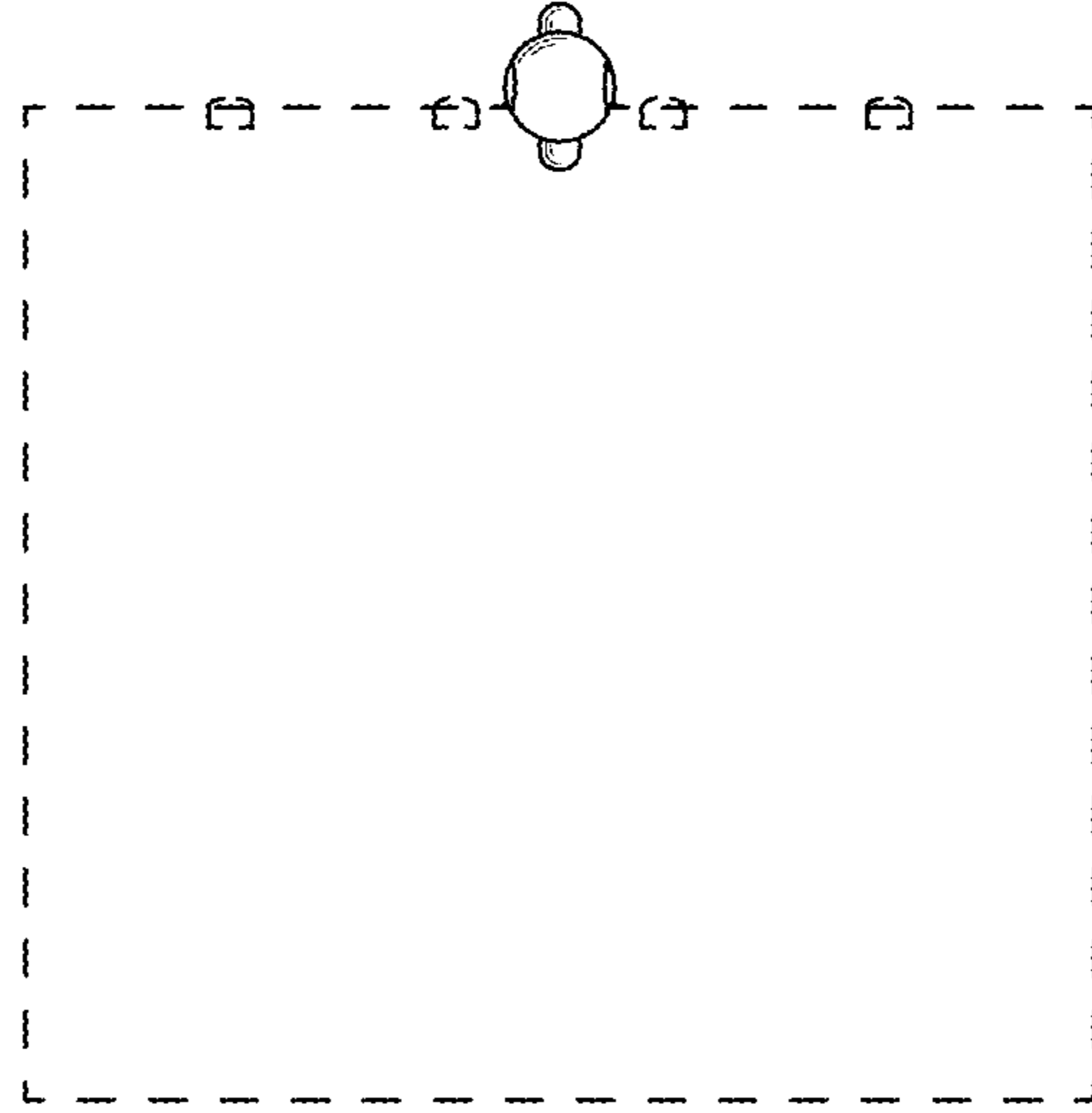


FIG. 12

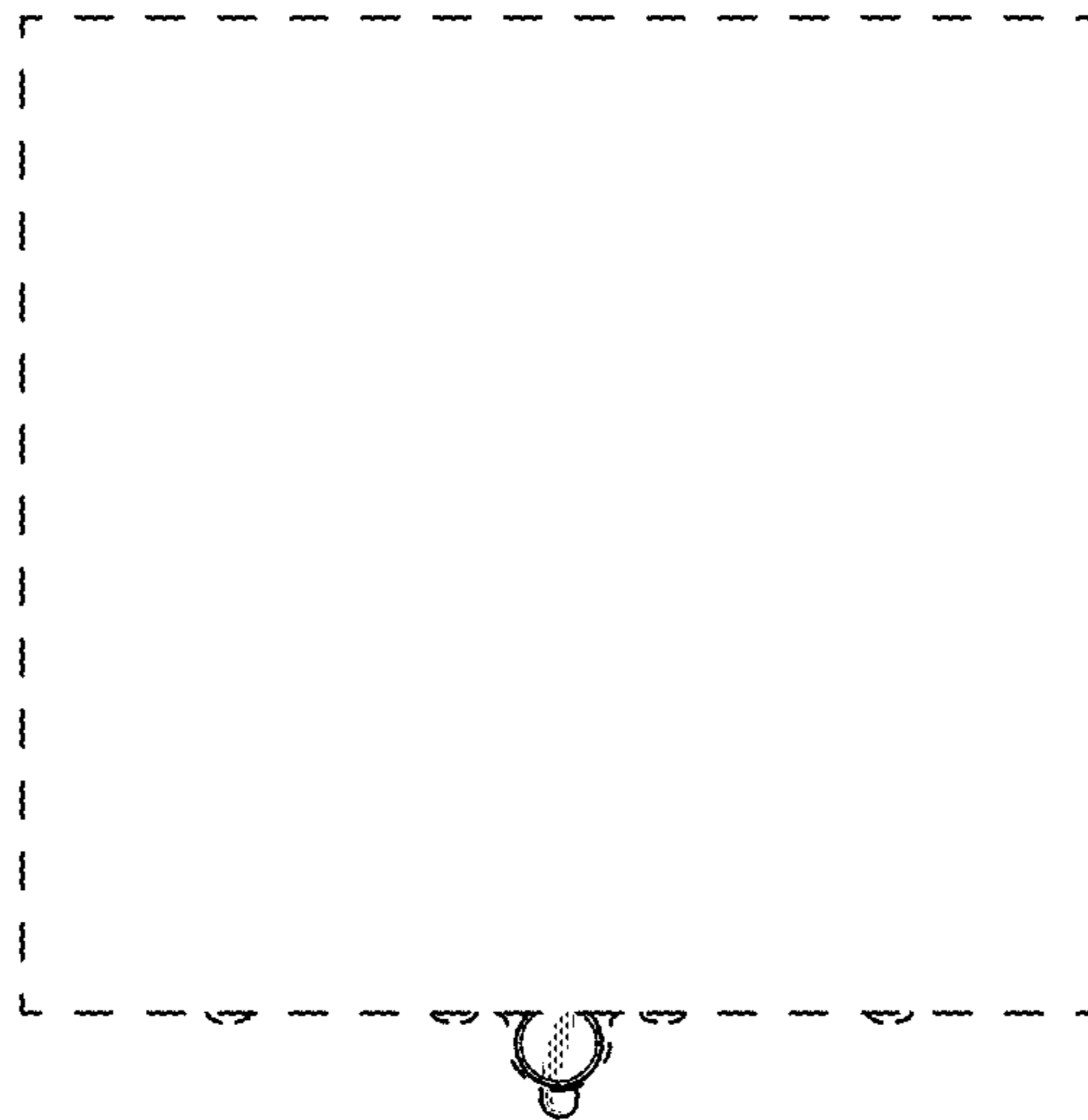


FIG. 13



US00D903211C1

(12) **EX PARTE REEXAMINATION CERTIFICATE** (12089th)
United States Patent
Gao

(10) **Number:** **US D903,211 C1**
(45) **Certificate Issued:** **Jul. 8, 2022**

- (54) **DOG POOPER SCOOPER ROD**
- (71) Applicant: **Hongtao Gao**, Xiangyang (CN)
- (72) Inventor: **Hongtao Gao**, Xiangyang (CN)

Reexamination Request:
No. 90/014,733, Apr. 21, 2021

Reexamination Certificate for:

Patent No.: **Des. 903,211**
Issued: **Nov. 24, 2020**
Appl. No.: **29/743,636**
Filed: **Jul. 23, 2020**

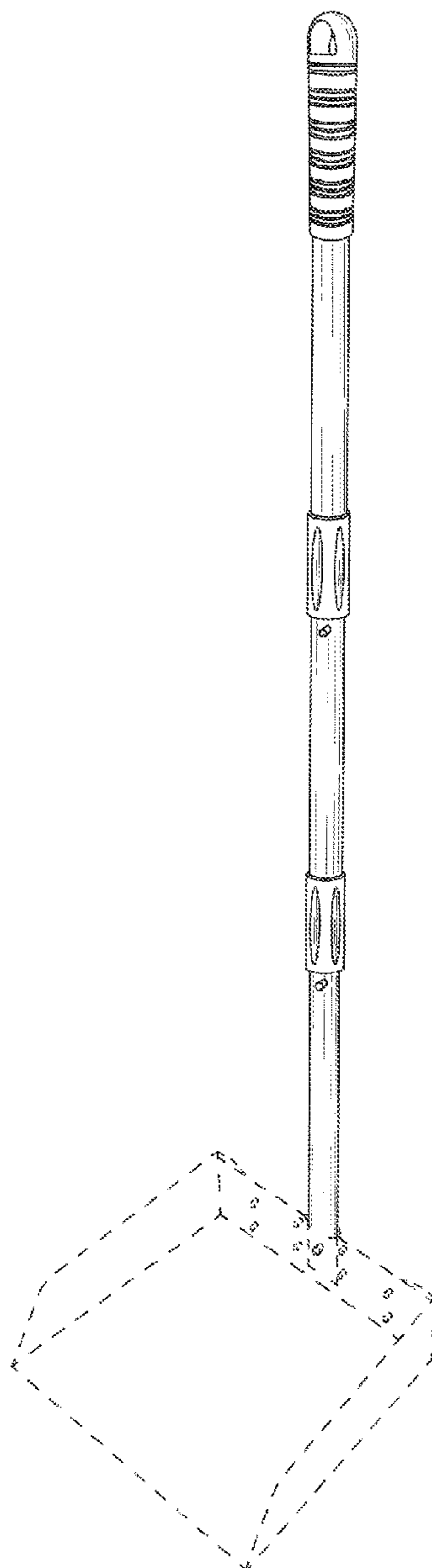
- (51) **LOC (13) Cl.** **30-99**
- (52) **U.S. Cl.**
USPC **D30/162**

(58) **Field of Classification Search**
USPC D8/10, 107, 300; D30/161, 162;
D32/51, 52, 74; D34/10
CPC ... B25G 3/12; B25G 3/04; B25G 1/04; B25G
3/26; Y10T 403/46; Y10T 403/7079;
Y10T 403/7084
See application file for complete search history.

(56) **References Cited**

To view the complete listing of prior art documents cited during the proceeding for Reexamination Control Number 90/014,733, please refer to the USPTO's public Patent Application Information Retrieval (PAIR) system under the Display References tab.

Primary Examiner — Philip S Hyder



1
EX PARTE
REEXAMINATION CERTIFICATE

THE PATENT IS HEREBY AMENDED AS 5
INDICATED BELOW.

AS A RESULT OF REEXAMINATION, IT HAS BEEN
DETERMINED THAT:

The Claim 1 is cancelled. 10

* * * * *