



US00D903209S

(12) **United States Design Patent** (10) **Patent No.:** **US D903,209 S**
Jiang (45) **Date of Patent:** **** Nov. 24, 2020**

(54) **ELEVATED ADJUSTABLE PET FEEDER**

OTHER PUBLICATIONS

(71) Applicant: **Jiaxing Bepal Technology Co., Ltd.**,
Jiaxing (CN)

(72) Inventor: **Yan Jiang**, Jiaxing (CN)

(73) Assignee: **Jiaxing Bepal Technology Co., Ltd.**,
Zhejiang (CN)

(**) Term: **15 Years**

(21) Appl. No.: **29/695,853**

(22) Filed: **Jun. 22, 2019**

(51) **LOC (12) Cl.** **30-03**

(52) **U.S. Cl.**
USPC **D30/133**

(58) **Field of Classification Search**
USPC D30/121, 129, 130, 131, 132, 133, 199;
119/51.01, 51.1, 52.1, 61.1, 61.51, 61.55,
119/61.5, 61.56
CPC A01K 5/00; A01K 5/0121; A01K 5/0135;
A01K 7/005; A01K 5/01; A01K 5/0107;
A01K 5/0114; A01K 5/0128
See application file for complete search history.

“Adjustable Ladder Style Pet Feeder Stand” available Jul. 27, 2020, [online], [site visited Jul. 27, 2020]. Retrieved from Internet, URL: <https://www.dailysteals.com/products/adjustable-ladder-style-pet-feeder-stand> (Year: 2020).*

“Emfogo Dog Bowls Elevated 3 Heights” available Mar. 12, 2020, [online], [site visited Jul. 27, 2020]. Retrieved from Internet, URL: https://www.amazon.com/Emfogo-Adjustable-Elevated-16-7x15-5-Carbonized/dp/B0828GVLF1/ref=cm_cr_arp_d_product_top?ie=UTF8 (Year: 2020).*

* cited by examiner

Primary Examiner — Michael C Stout

Assistant Examiner — Katrina N Gonzalez

(74) *Attorney, Agent, or Firm* — Zhihua Han; WEN IP LLC

(57) **CLAIM**

The ornamental design for an elevated adjustable pet feeder, as shown and described.

DESCRIPTION

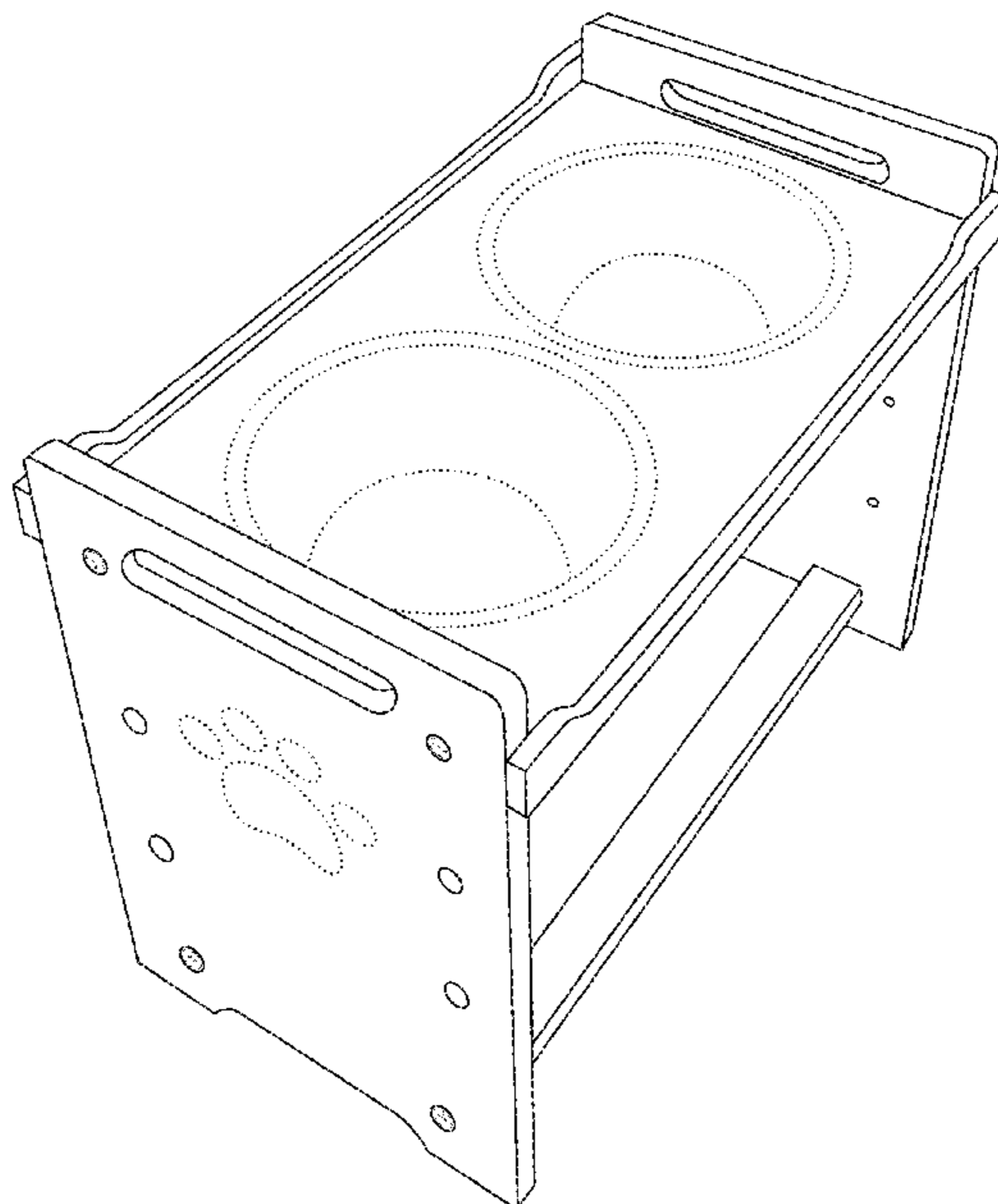
FIG. 1 is a perspective view of an elevated adjustable pet feeder showing my new design;
FIG. 2 is another perspective view thereof, but shown in an alternate configuration for clarity of illustration;
FIG. 3 is another perspective view thereof, but shown in another alternate configuration for clarity of illustration;
FIG. 4 is a front elevation view of FIG. 1;
FIG. 5 is a rear elevation view thereof;
FIG. 6 is a left side elevation view thereof;
FIG. 7 is a right side elevation view thereof;
FIG. 8 is a top plan view thereof; and,
FIG. 9 is a bottom plan view thereof.
The broken lines illustrate portions of the elevated adjustable pet feeder that form no part of the claimed design.

(56) **References Cited**

U.S. PATENT DOCUMENTS

D358,158 S *	5/1995	Bush	D16/222
D377,244 S *	1/1997	Steininger	D30/133
D446,611 S *	8/2001	Gunter	119/51.01
D777,993 S *	1/2017	Green	D30/133
D787,135 S *	5/2017	Green	D30/133
D830,647 S *	10/2018	Le	D30/133
D846,816 S *	4/2019	Tsengas	A01K 5/0114
				D30/133
D884,431 S *	5/2020	Chiang	D7/554.3

1 Claim, 9 Drawing Sheets



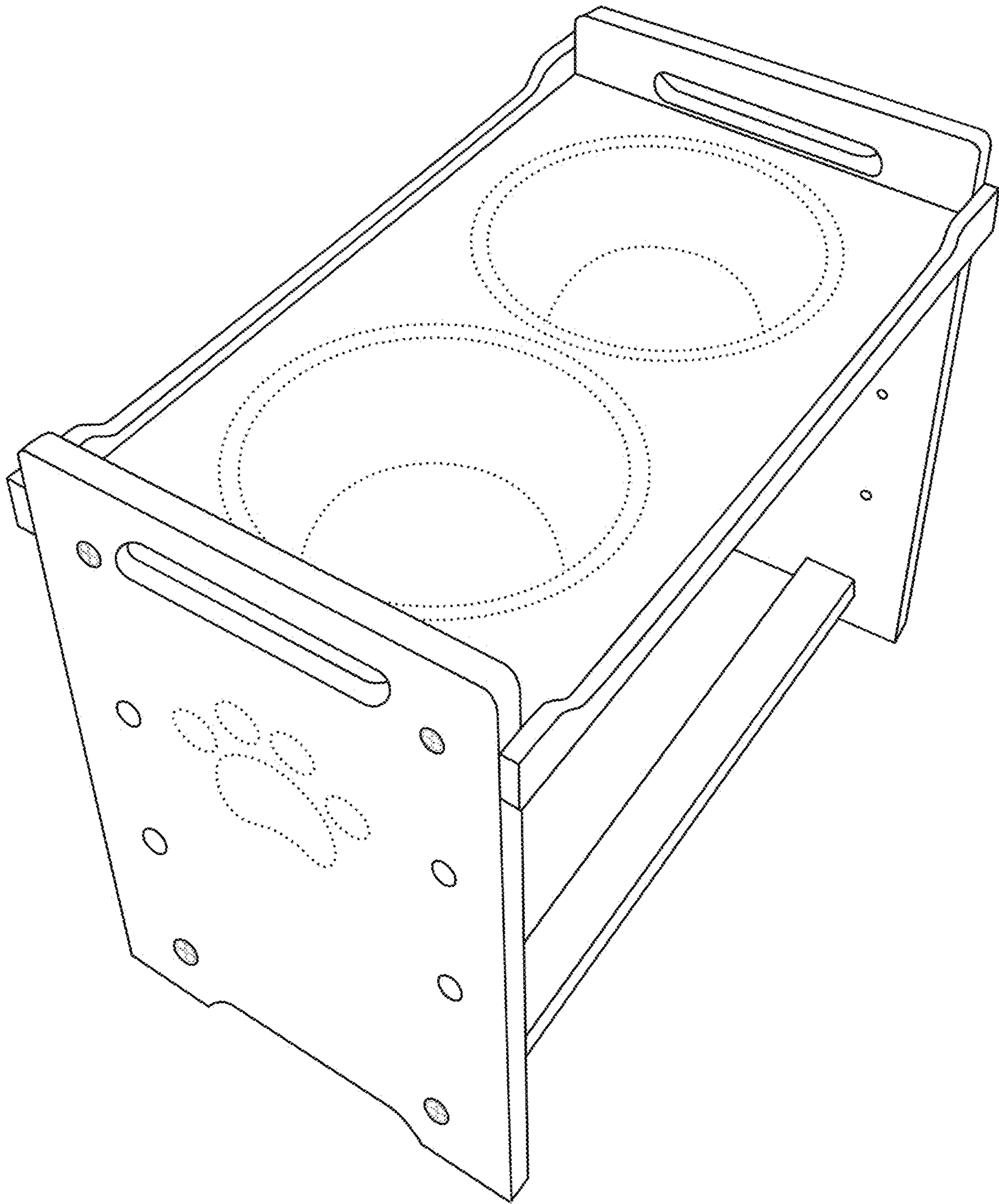


Fig.1

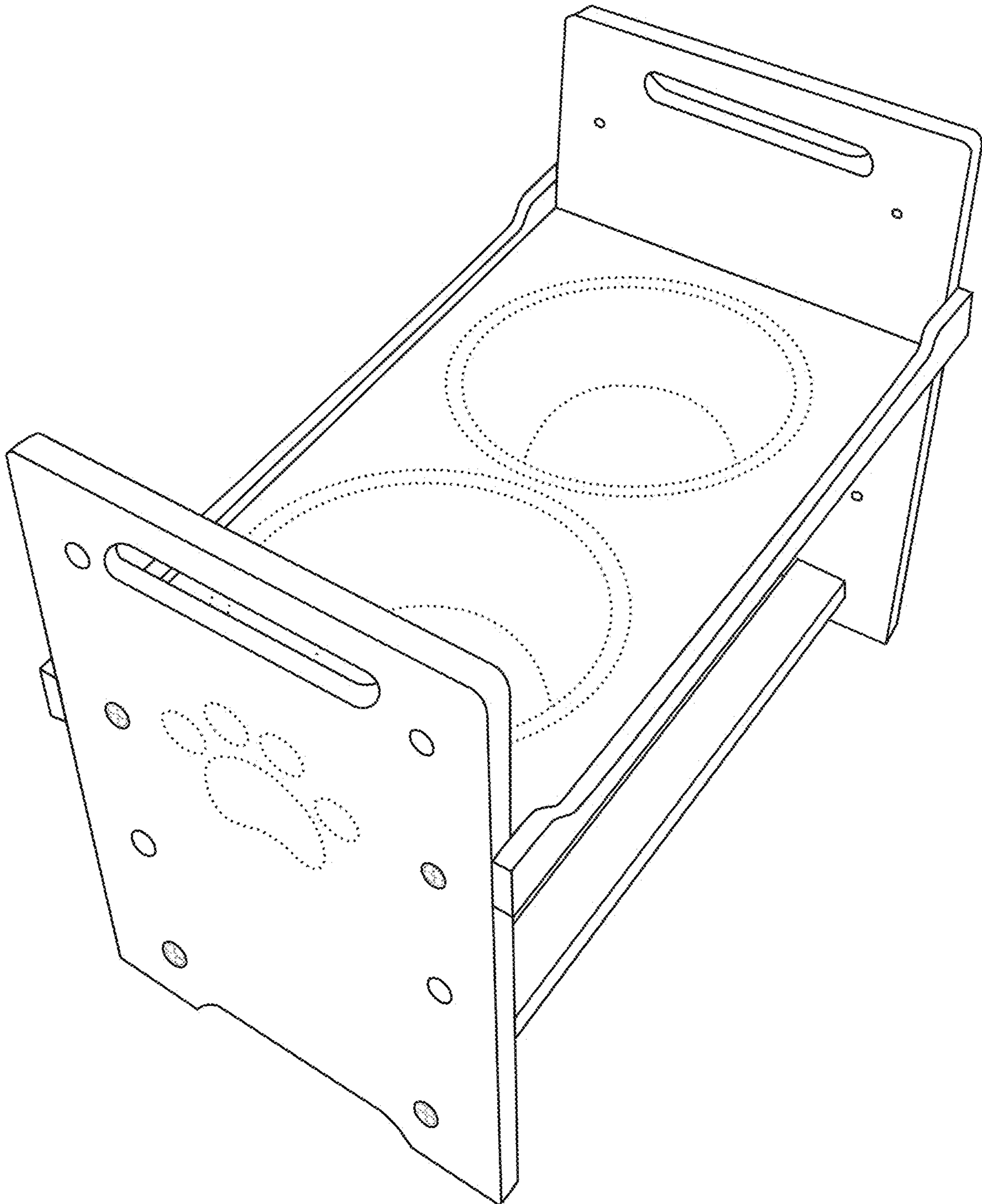


Fig.2

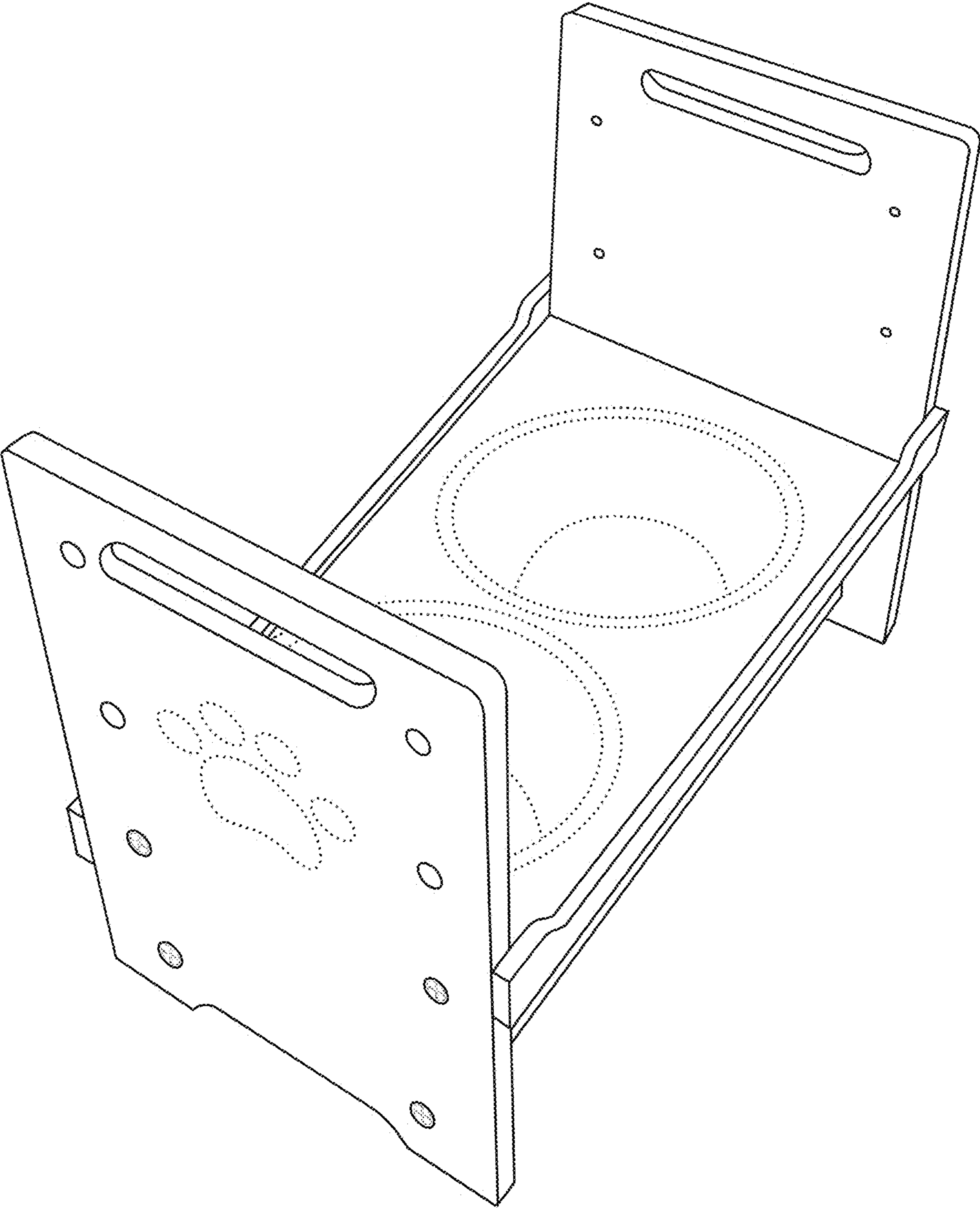


Fig.3

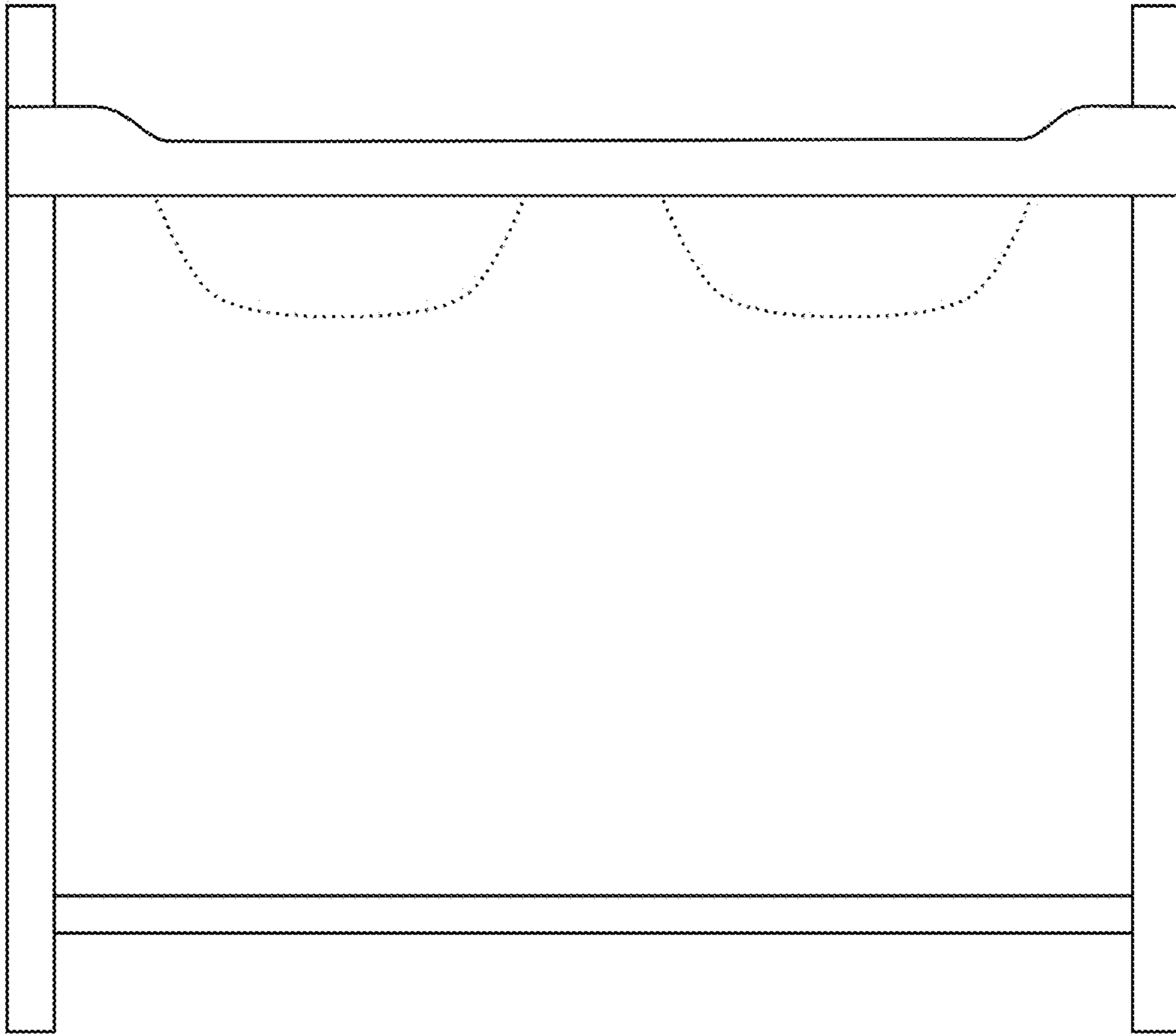


Fig.4

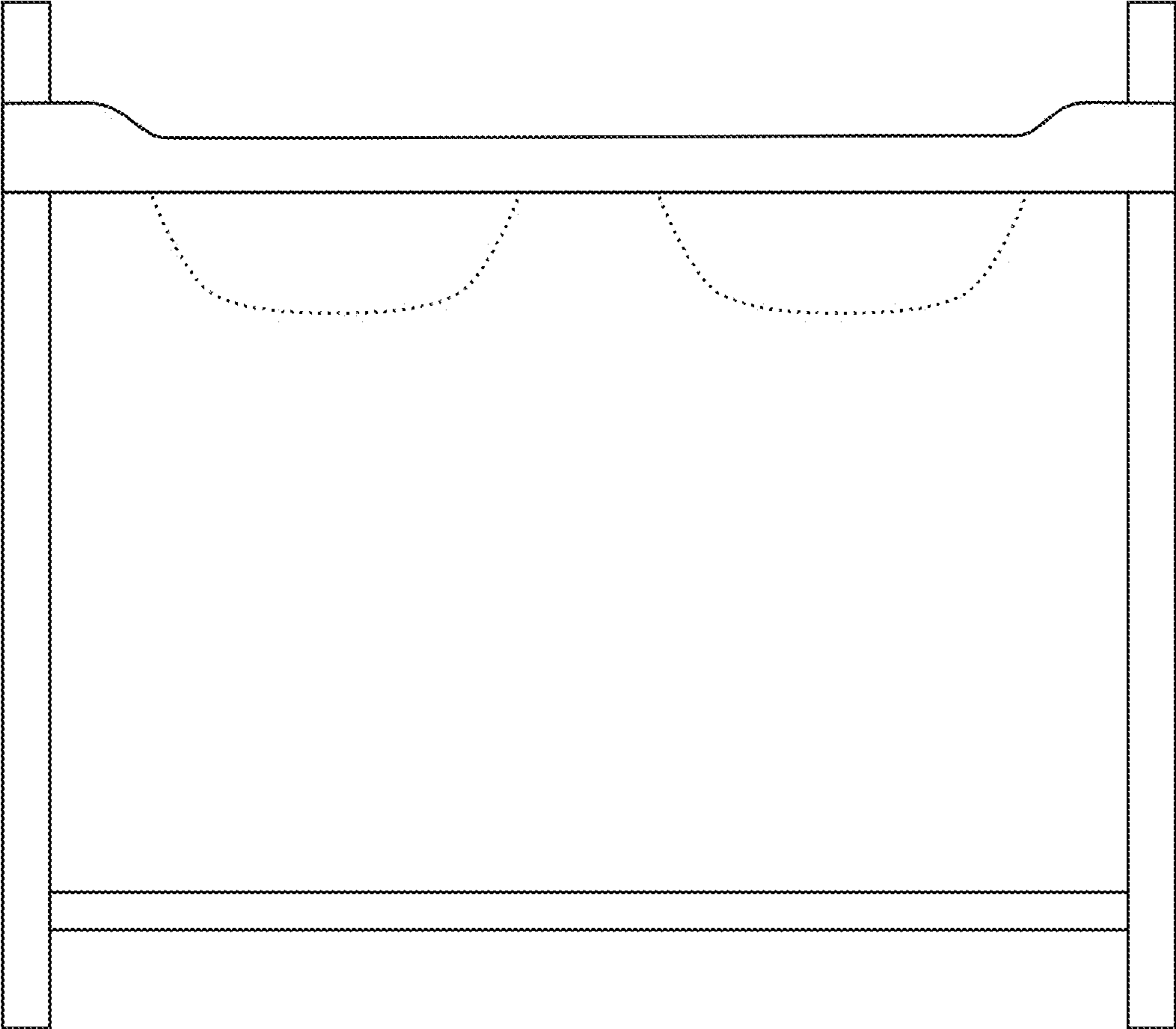


Fig.5

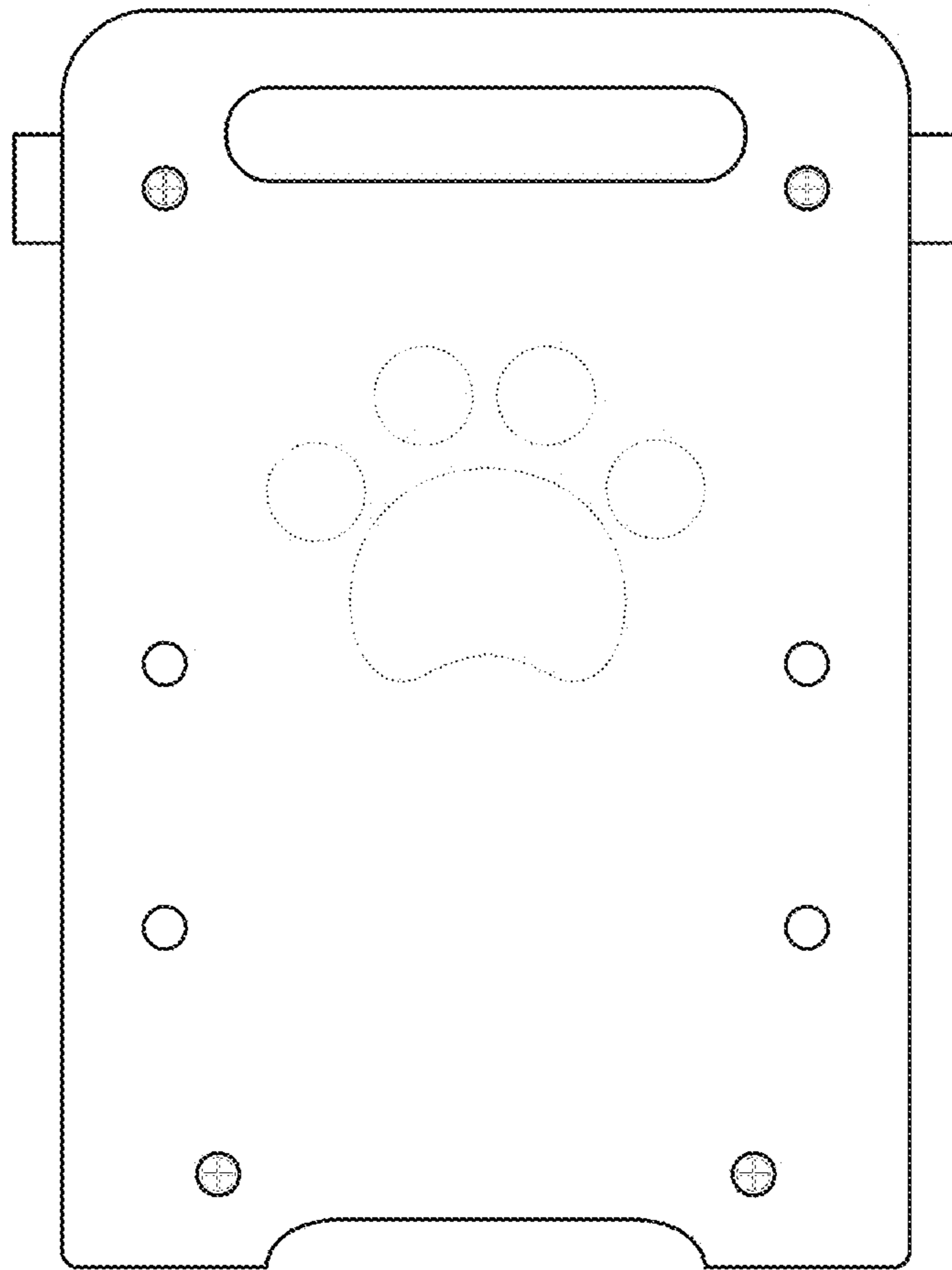


Fig.6

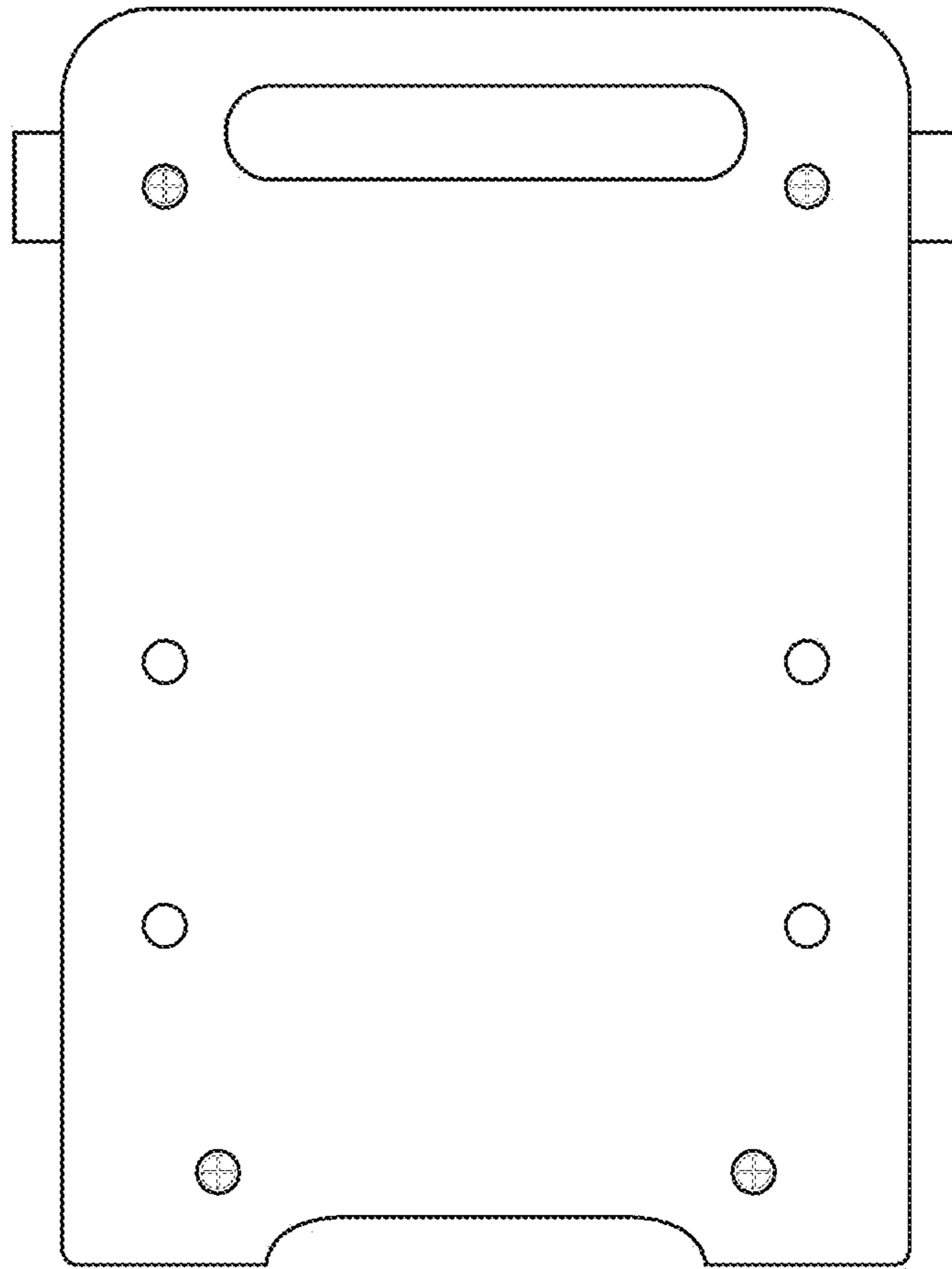


Fig.7

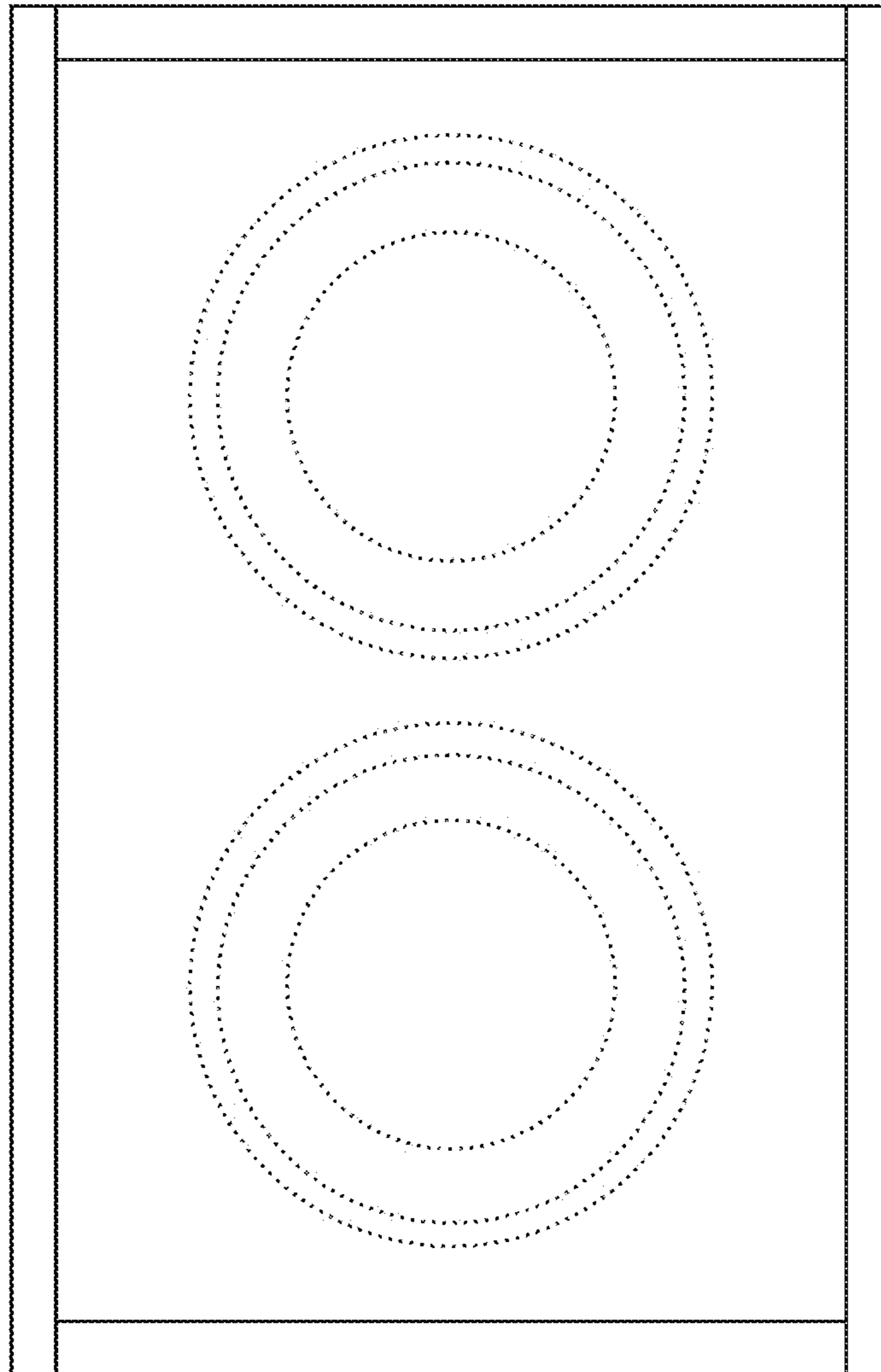


Fig.8

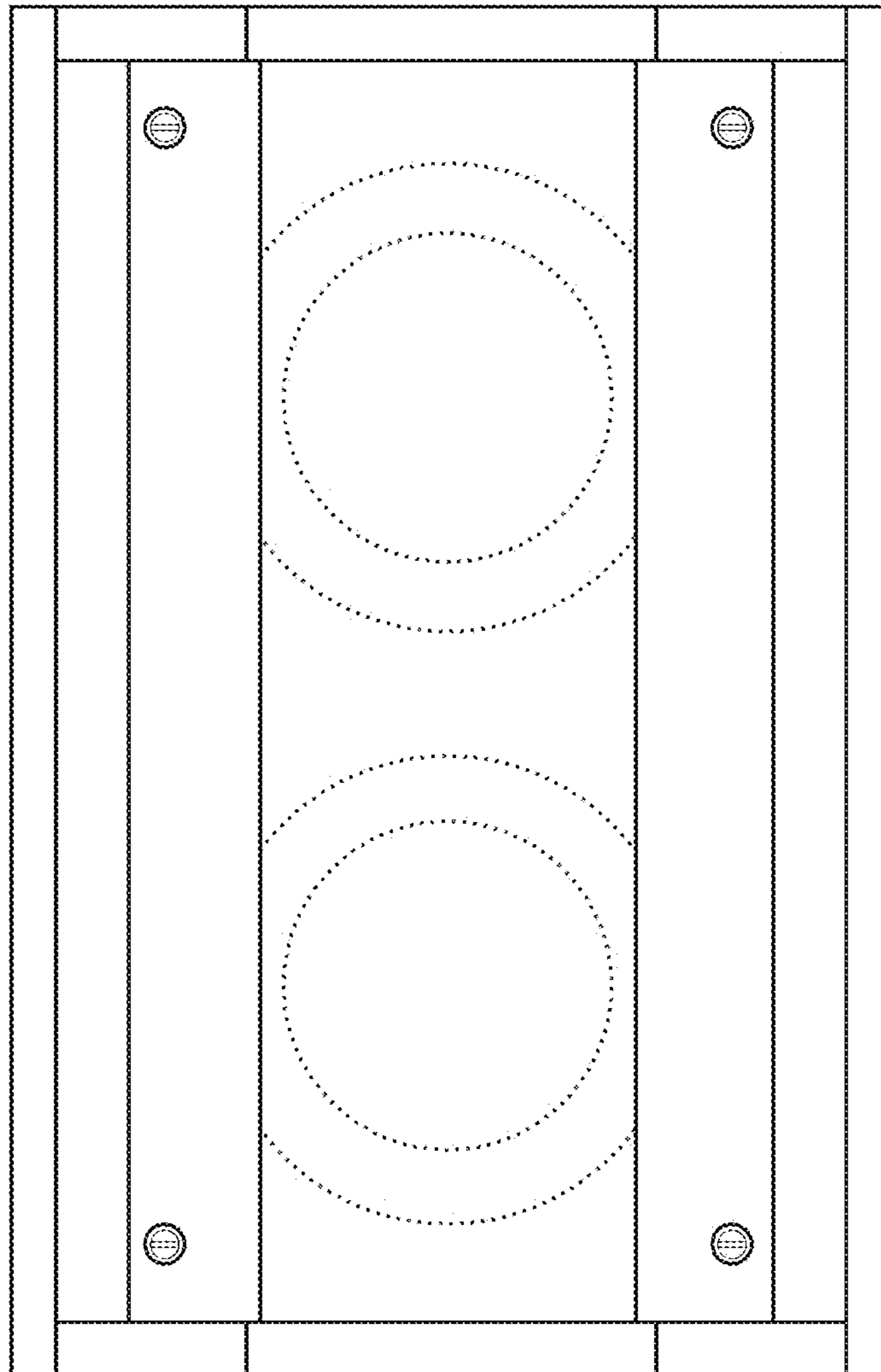


Fig.9