



US00D903204S

(12) **United States Design Patent** (10) **Patent No.:** **US D903,204 S**
Li (45) **Date of Patent:** **** Nov. 24, 2020**

(54) **PET CARRIER**

(71) Applicant: **KEENSTONE TECHNOLOGY CO., LTD**, Shenzhen (CN)

(72) Inventor: **Zhongrun Li**, Shenzhen (CN)

(73) Assignee: **KEENSTONE TECHNOLOGY CO., LTD**, Shenzhen (CN)

(**) Term: **15 Years**

(21) Appl. No.: **29/720,627**

(22) Filed: **Jan. 14, 2020**

(51) **LOC (12) Cl.** **30-02**

(52) **U.S. Cl.**
USPC **D30/108; D30/109**

(58) **Field of Classification Search**
USPC D30/108, 109, 150; D3/213, 216, 246, D3/273, 315; 119/452, 474, 482, 489, 119/491, 496, 499, 500, 513, 650, 673, 119/678, 712, 751; 224/153, 202, 258, 224/579

CPC A01K 1/0254; A45C 3/00; A45C 13/30; B62B 5/0013

See application file for complete search history.

(56) **References Cited**

U.S. PATENT DOCUMENTS

D398,083 S *	9/1998	Martz	D3/273
6,021,740 A *	2/2000	Martz	A01K 1/0254
				119/482
D444,271 S *	6/2001	Farrugia	D3/273
D523,995 S	6/2006	Knittle		
D539,486 S	3/2007	Williams		
D575,461 S *	8/2008	Cannon	D3/273
D662,263 S *	6/2012	Chau	D30/109
D662,264 S *	6/2012	Chau	D30/109
D759,319 S	6/2016	Chang		
D804,738 S *	12/2017	Nourollah	D30/109
D808,084 S *	1/2018	Lu	D30/109

D818,204 S *	5/2018	Renforth	D30/109
2003/0127060 A1 *	7/2003	Yeung	A01K 1/0254
				119/497
2004/0194723 A1 *	10/2004	Farmer	A01K 1/0254
				119/474
2008/0066689 A1 *	3/2008	Martz	A01K 1/0254
				119/497
2008/0072837 A1 *	3/2008	Redzisz	A01K 1/0254
				119/474

(Continued)

OTHER PUBLICATIONS

“Morpilot pet travel carrier bagr”, posted May 5, 2019 [online], [retrieved Mar. 13, 2020], Retrieved from internet, https://www.amazon.com/product-reviews/B07MS8CD6N/ref=cm_cr_getr_d_paging_btm_next_7?ie=UTF8&showViewpoints=1&sortBy=recent&pageNumber=7.*

Primary Examiner — Sandra Snapp

Assistant Examiner — Mehri Bajoul

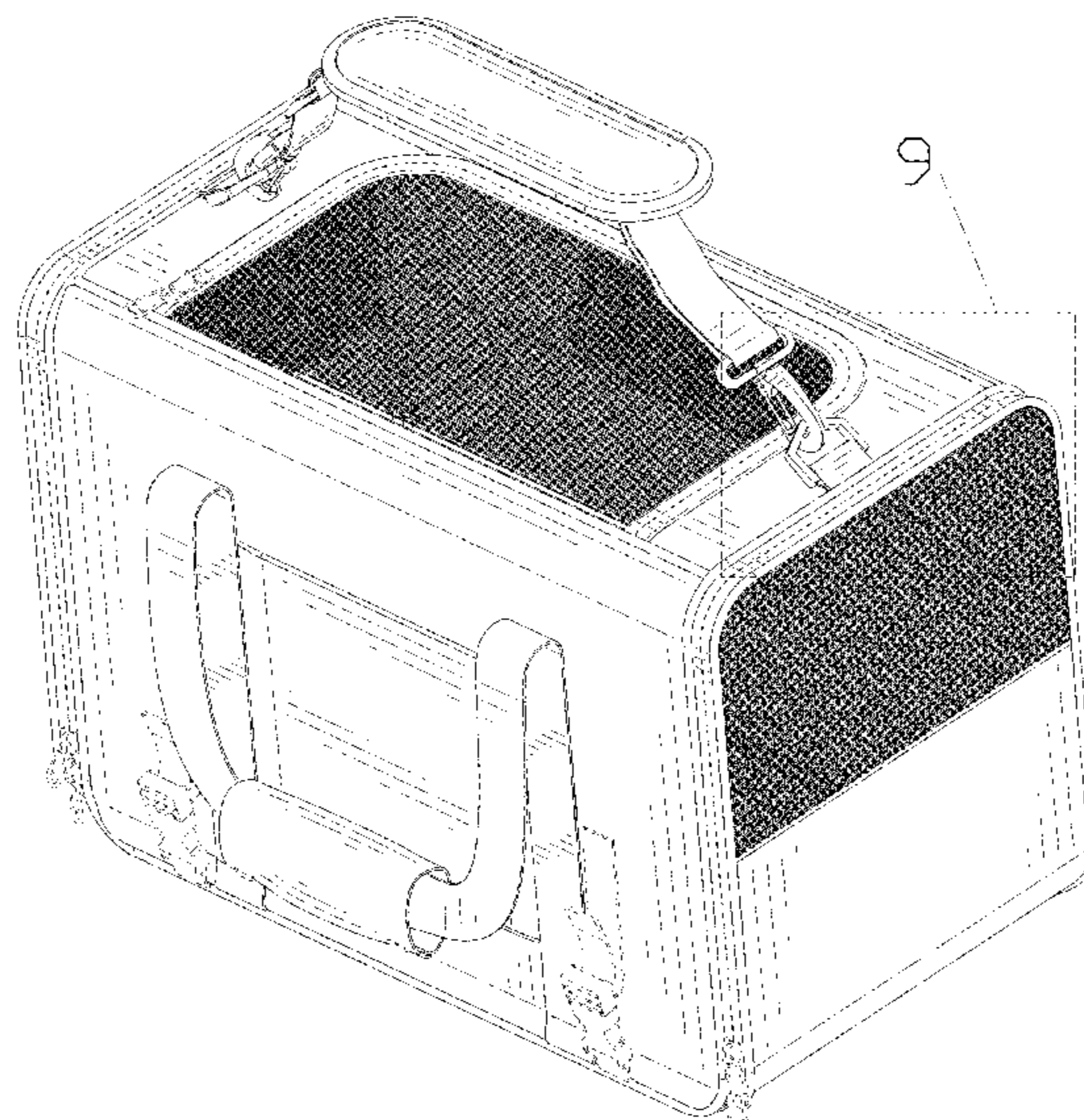
(57) **CLAIM**

The ornamental design for a pet carrier, as shown and described.

DESCRIPTION

FIG. 1 is a perspective view of a pet carrier showing my new design;
FIG. 2 is another perspective view thereof;
FIG. 3 is a front elevational view thereof;
FIG. 4 is a rear elevational view thereof;
FIG. 5 is a left side elevational view thereof;
FIG. 6 is a right side elevational view thereof;
FIG. 7 is a top plan view thereof;
FIG. 8 is a bottom plan view thereof;
FIG. 9 is an enlarged view of portion 9 shown in FIG. 1; and,
FIG. 10 is an enlarged view of portion 10 shown in FIG. 2.
The broken lines in the drawings depict portions of the pet carrier that form no part of the claimed design.

1 Claim, 10 Drawing Sheets



(56)

References Cited

U.S. PATENT DOCUMENTS

2009/0205578 A1* 8/2009 Alves A01K 1/0107
119/454
2010/0000472 A1* 1/2010 Siklosi A01K 1/0254
119/497
2012/0186533 A1* 7/2012 Lu A01K 1/0254
119/497
2014/0230748 A1* 8/2014 Renforth A01K 1/0254
119/496
2017/0265430 A1* 9/2017 Renforth A01K 1/0236
2019/0021275 A1* 1/2019 Chaudhry A01K 1/0272

* cited by examiner

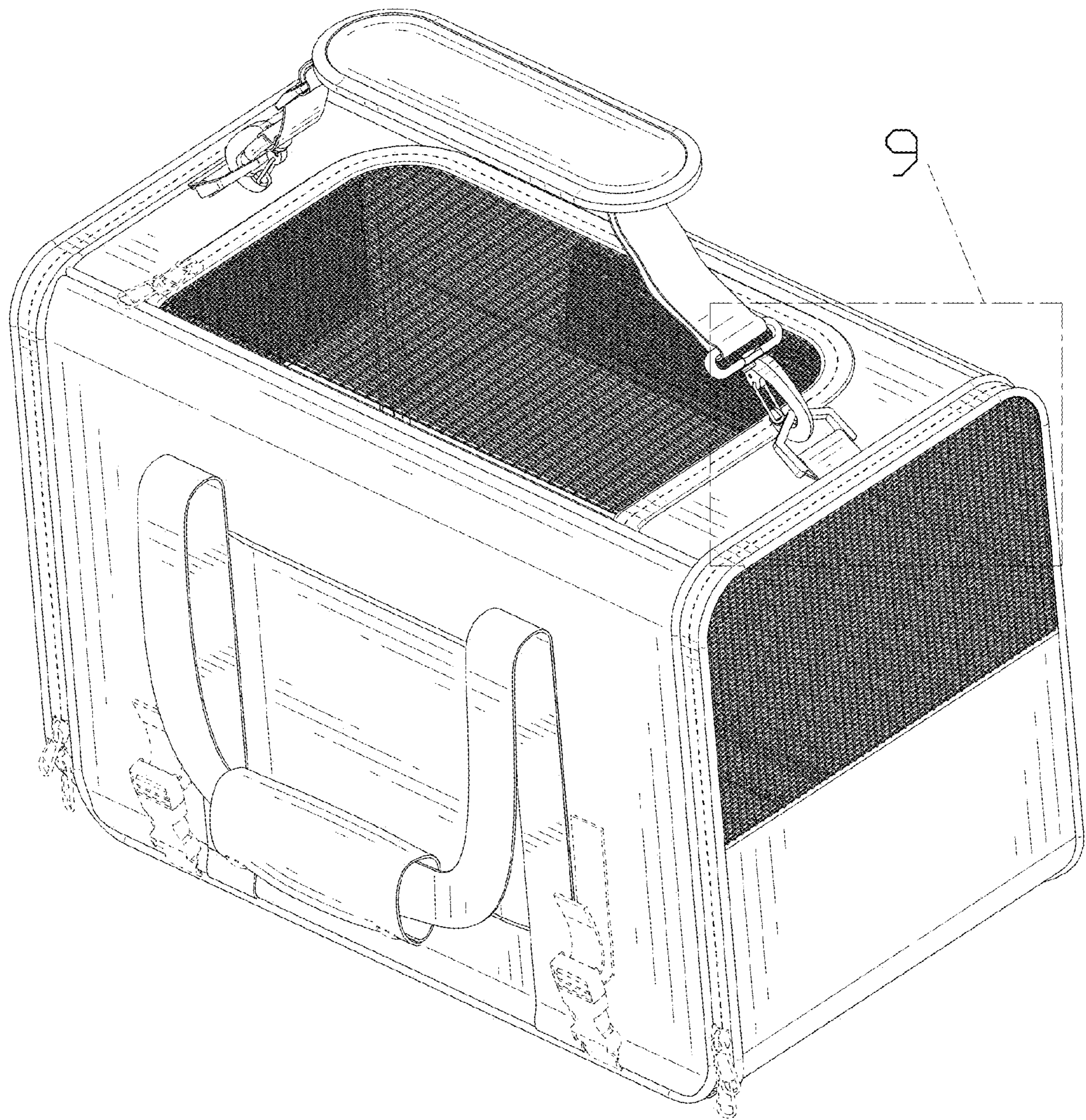


FIG. 1

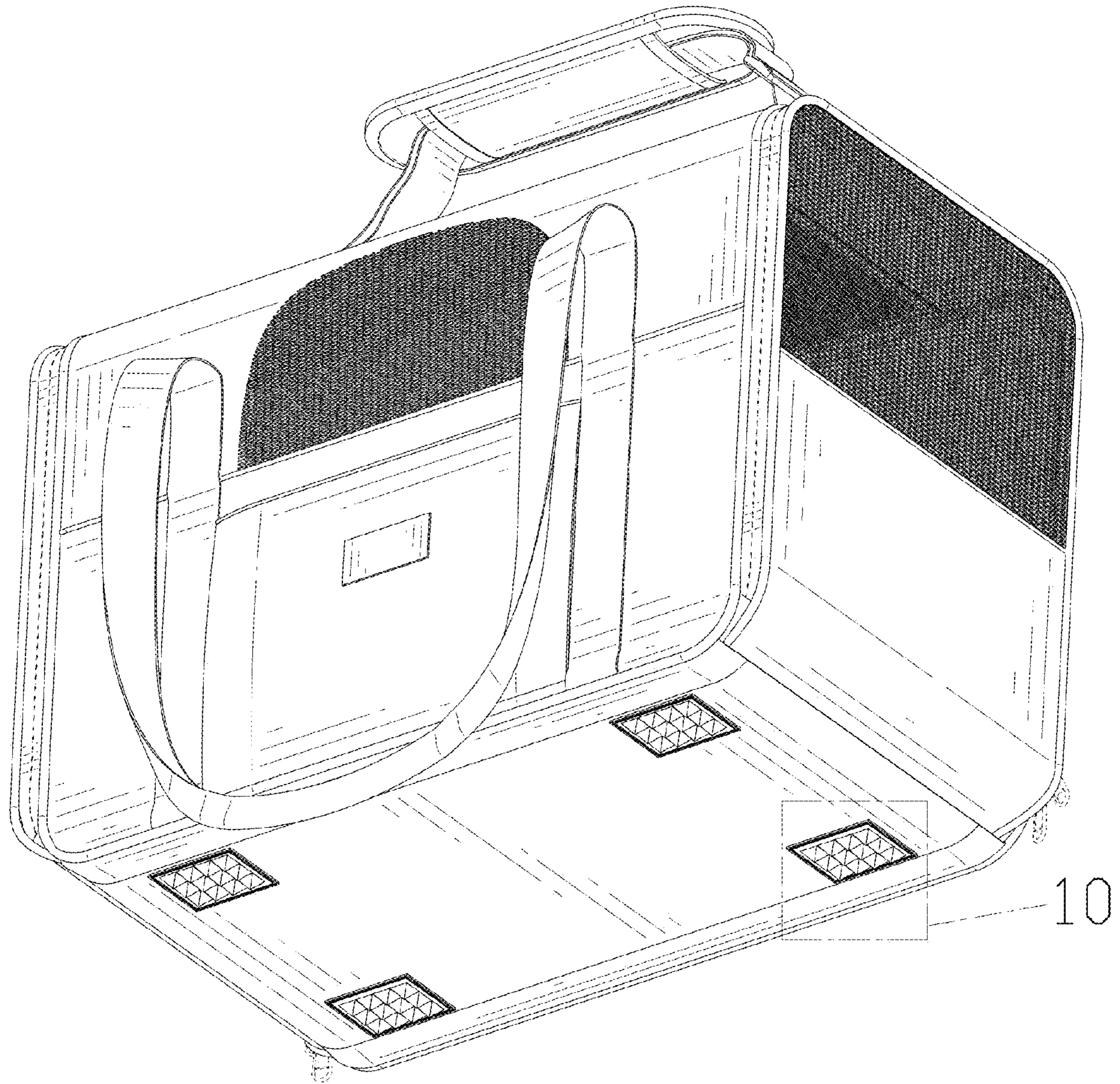


FIG. 2

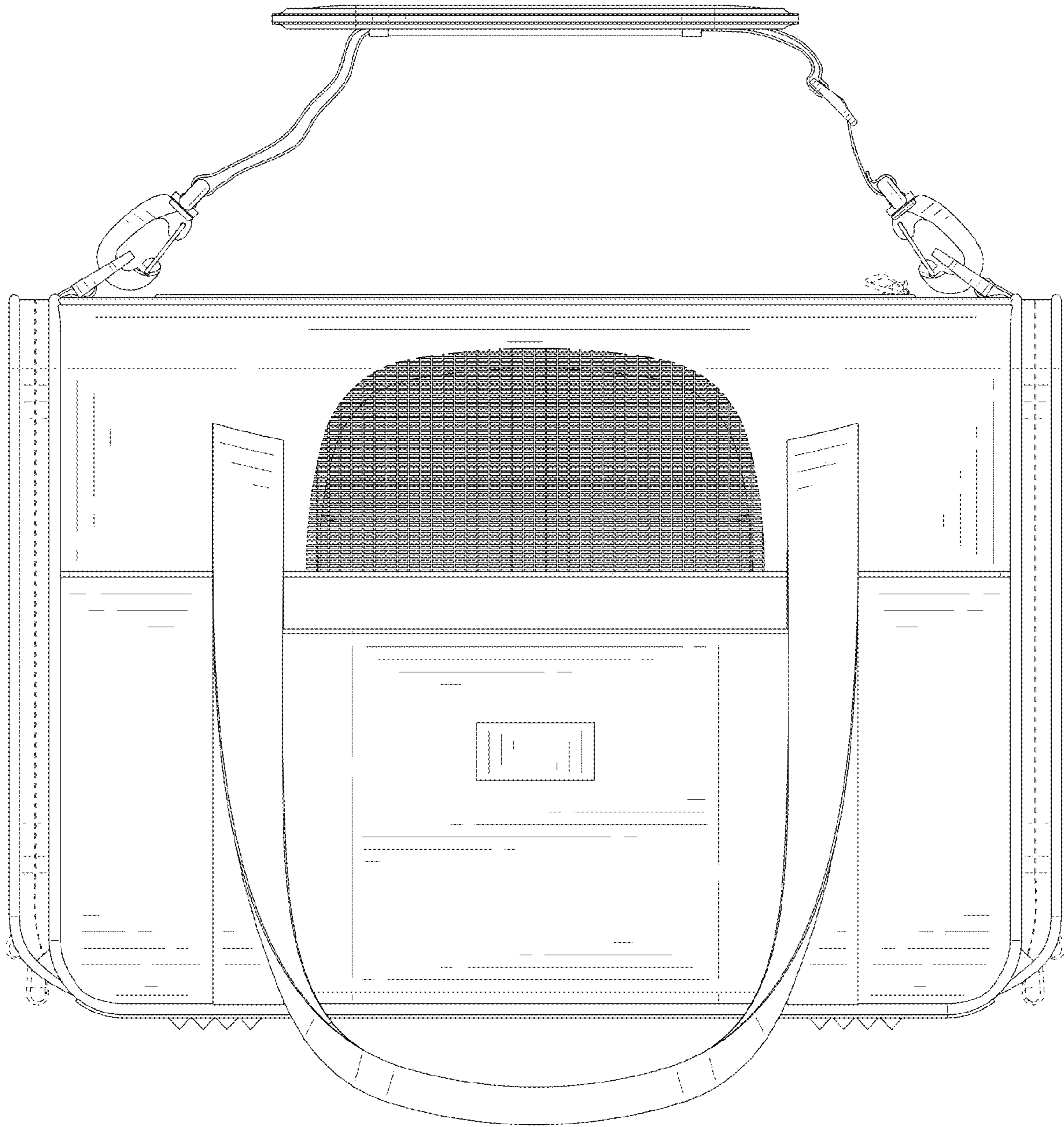


FIG. 3

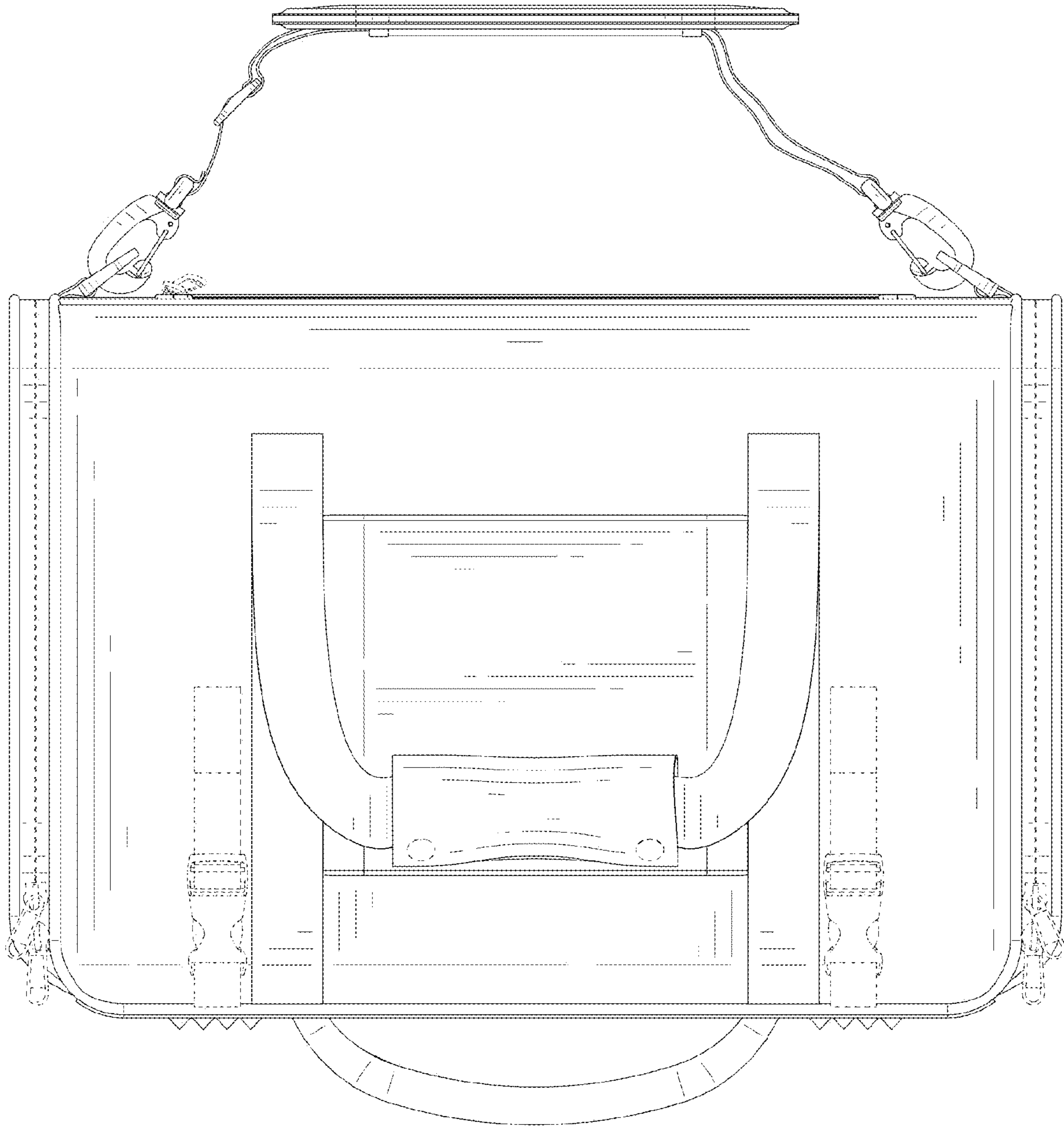


FIG. 4

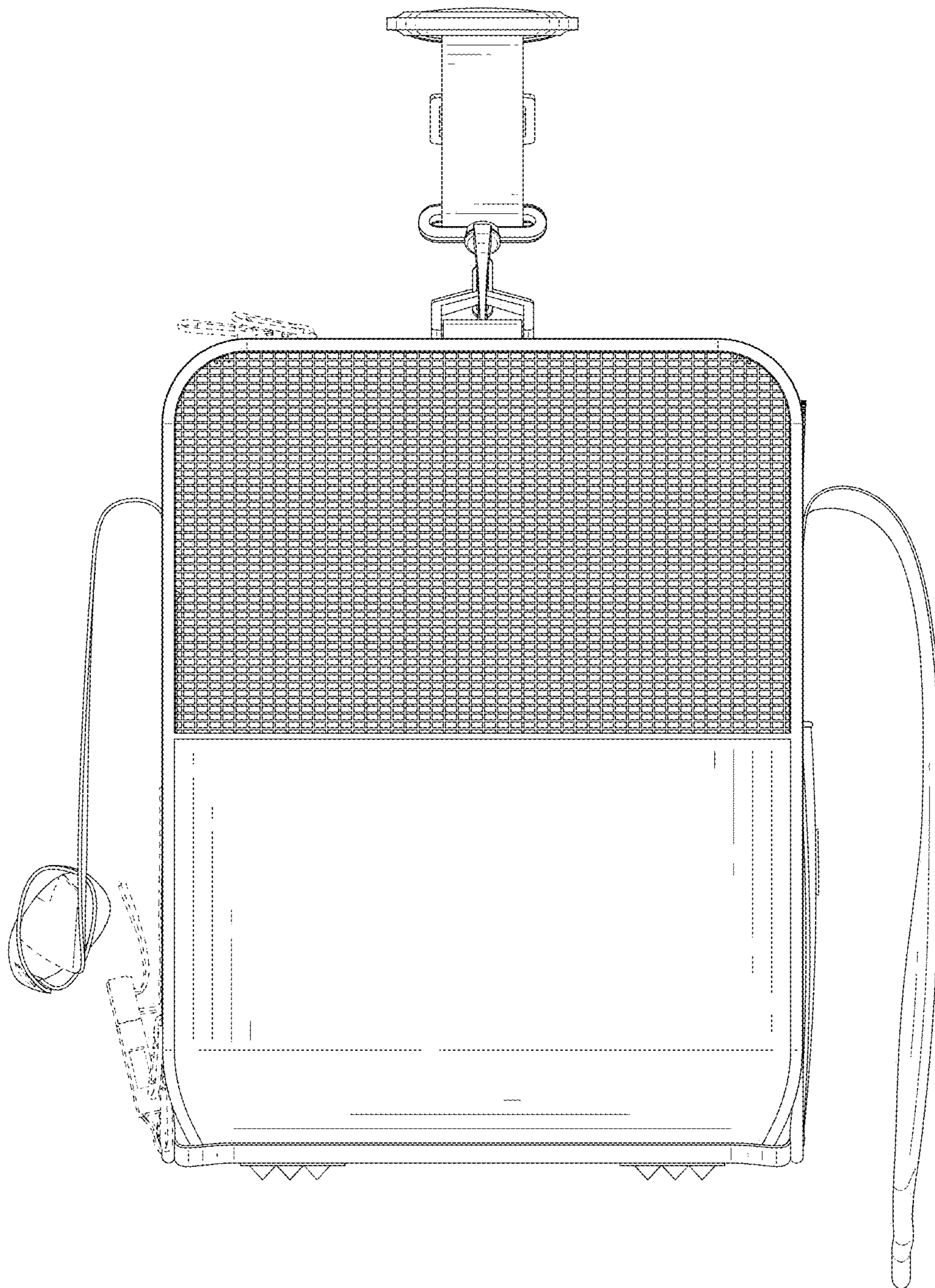


FIG. 5

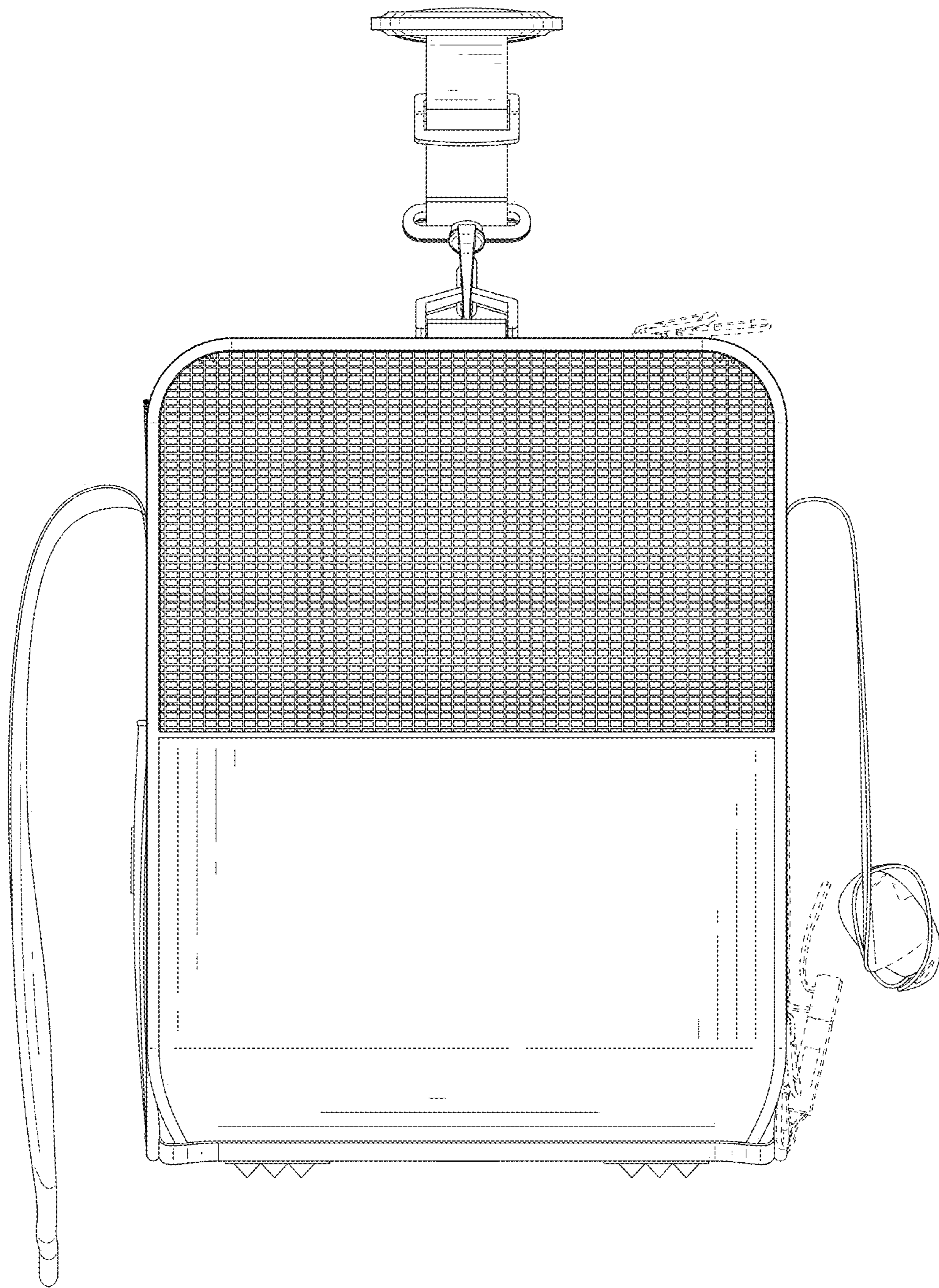


FIG. 6

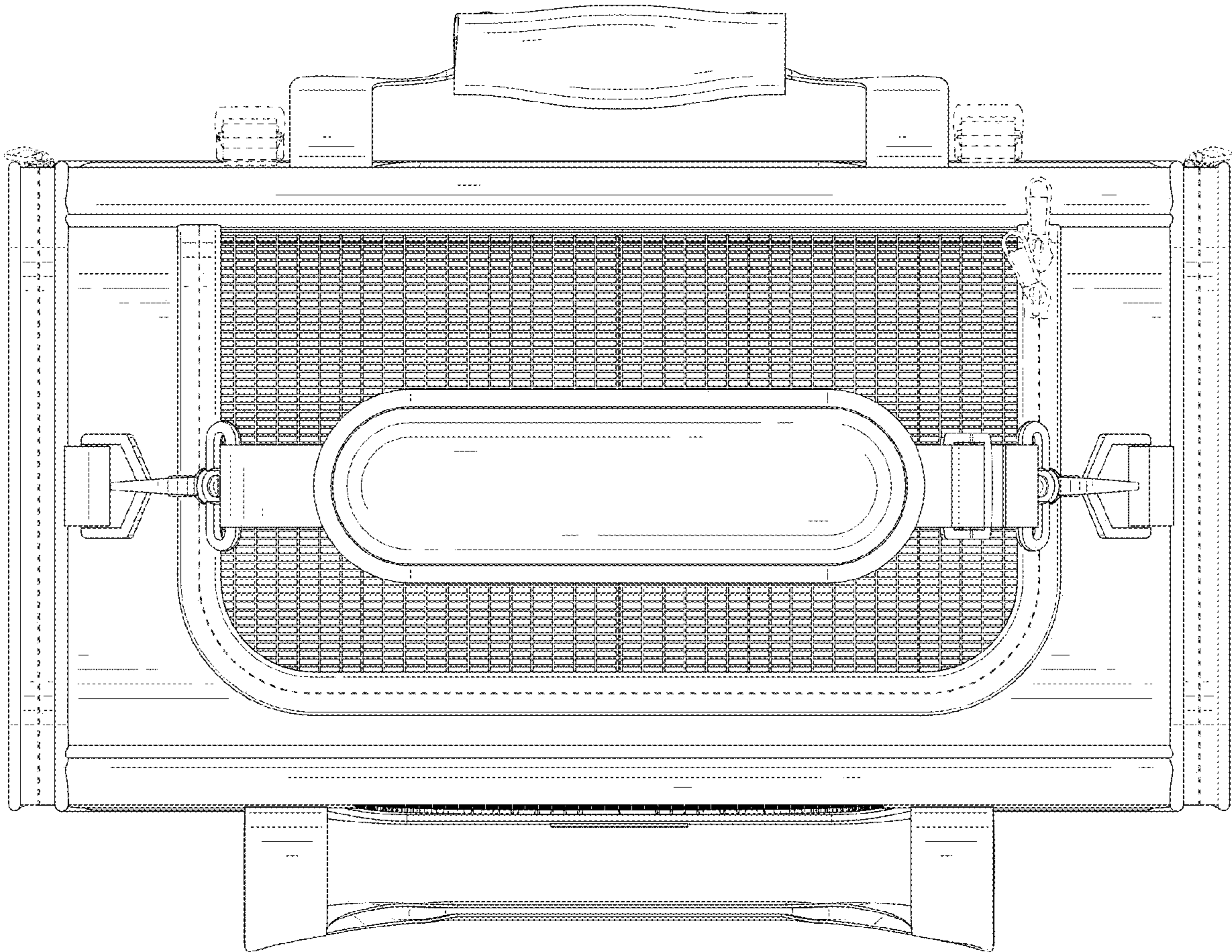


FIG. 7

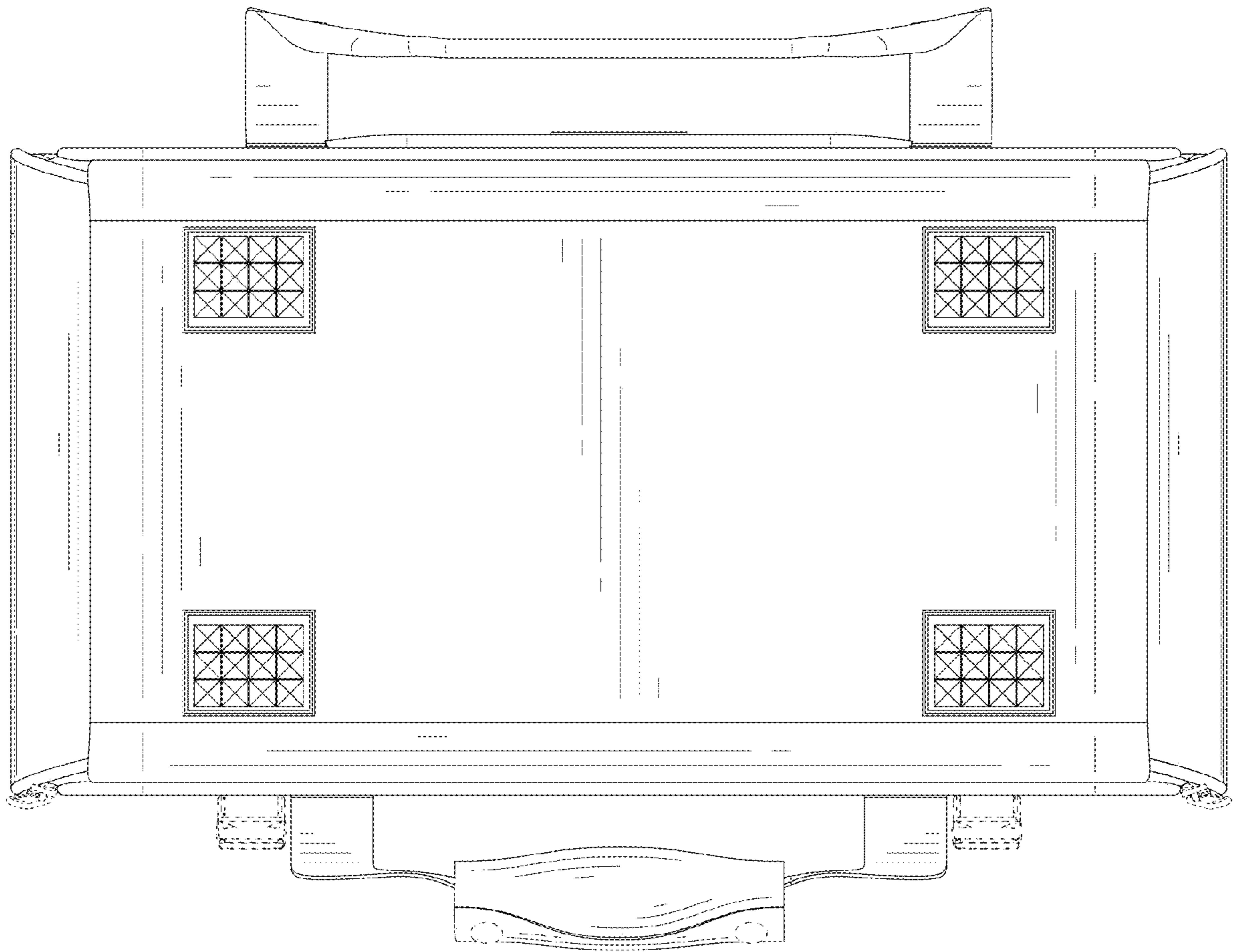


FIG. 8

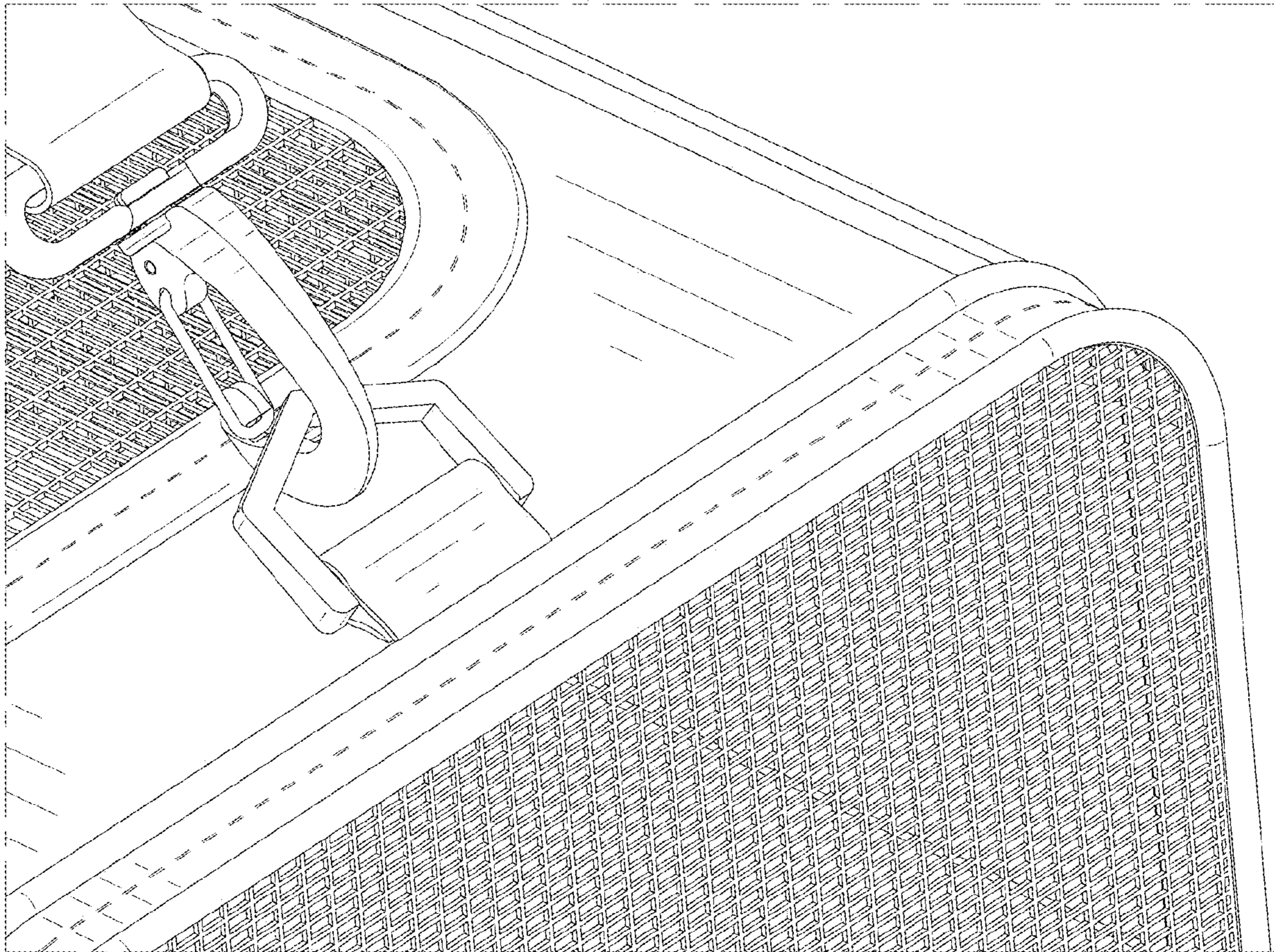


FIG. 9

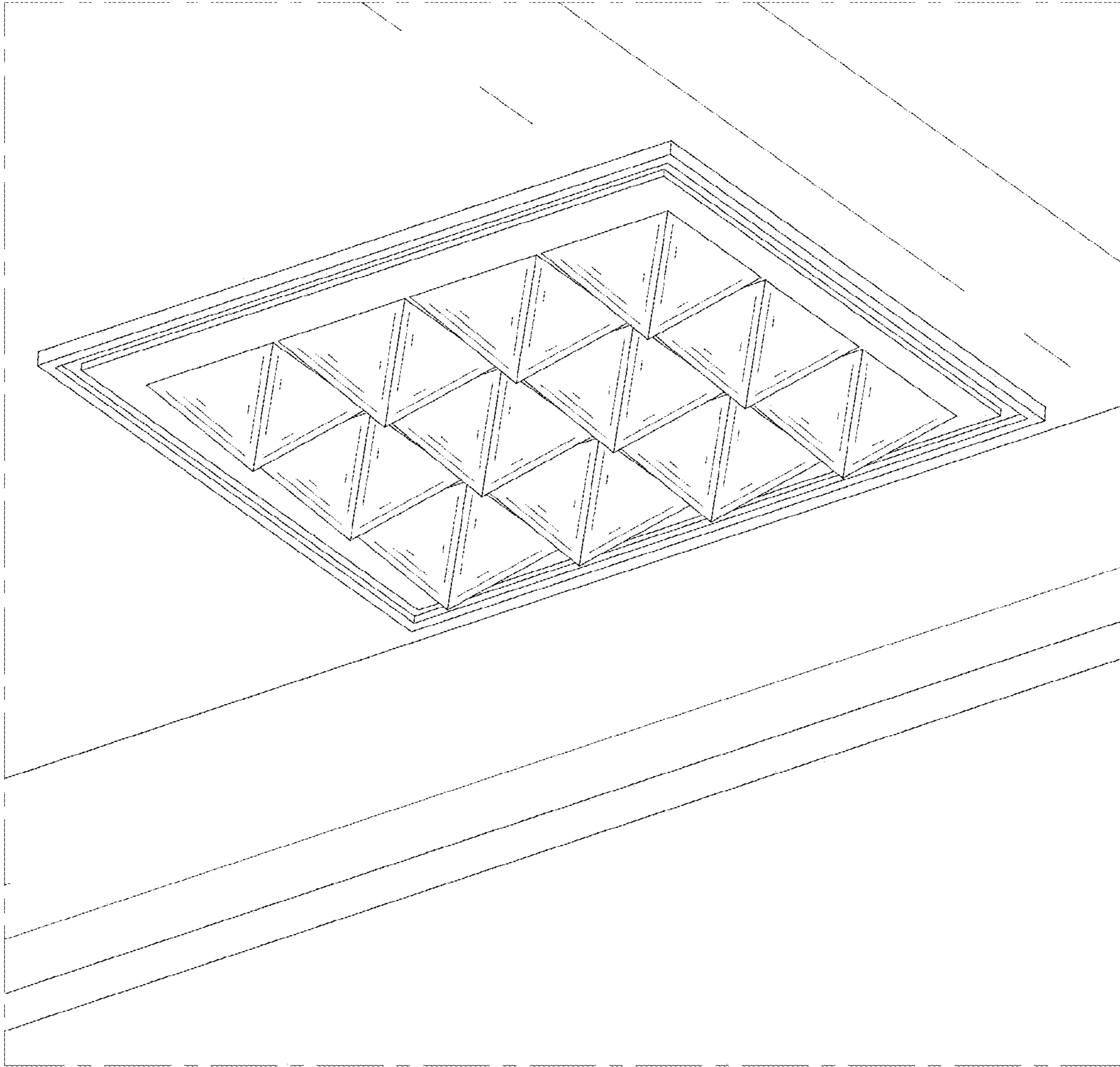


FIG. 10