



US00D903199S

(12) **United States Design Patent** (10) **Patent No.:** **US D903,199 S**
Li (45) **Date of Patent:** **** Nov. 24, 2020**

(54) **NAIL DRILL**
(71) Applicant: **Zhenggang Li**, Shenzhen (CN)
(72) Inventor: **Zhenggang Li**, Shenzhen (CN)
(73) Assignee: **Shenzhen City Di Meng Yuan Technology CO., LTD**, Shenzhen (CN)
(**) Term: **15 Years**
(21) Appl. No.: **29/699,393**
(22) Filed: **Jul. 25, 2019**
(51) **LOC (12) Cl.** **28-03**
(52) **U.S. Cl.**
USPC **D28/58**
(58) **Field of Classification Search**
USPC D14/496, 137, 155, 159, 225; D15/122,
D15/124, 131, 132; D8/61, 62;
D28/57-59, 61, 62; D10/49, 56, 57;
D24/152, 146, 144, 170
CPC . A61B 17/54; A61B 17/1662; A61B 17/1686;
A61M 37/00; A61N 1/303; A45D 29/00;
A45D 29/05; A45D 29/06; A45D 29/14
See application file for complete search history.

D889,426 S * 7/2020 Fu D14/159
2007/0201992 A1 * 8/2007 Mernoe A61M 5/14244
417/321
2020/0052514 A1 * 2/2020 Haile H02J 7/0044

OTHER PUBLICATIONS

Belle, Belle 35000rpm Rechargeable Nail Drill Professional Brush-less Cordless, (site visited Aug. 11, 2020) Ebay.com, URL:<https://www.ebay.com/p/17039095804> (Year: 2020).*
BTartbox, Professional Portable 30000RPM Nail Drill—Electric Nail Drills for Acrylic Nails BTartbox Rechargeable Nail Drill Machine Efile Nail Drill, Gift for Women Home and Salon Use, (first available Feb. 8, 2020), Amazon.com, URL:<https://www.amazon.ca/BTartbox-Nail-Drill-03/dp/B07XFM7Q2P> (Year: 2020).*
JSDA, JD6G Mobile Nail Care Tools Professional Electric Nail Drill, (site visited Aug. 11, 2020) Tradewheel.com, URL:<https://www.tradewheel.com/p/jsda-jd6g-mobile-nail-care-tools-76345/> (Year: 2020).*

* cited by examiner

Primary Examiner — Sheryl Lane
Assistant Examiner — Mark T. Philipps

(57) **CLAIM**

The ornamental design for a nail drill, as shown and described.

DESCRIPTION

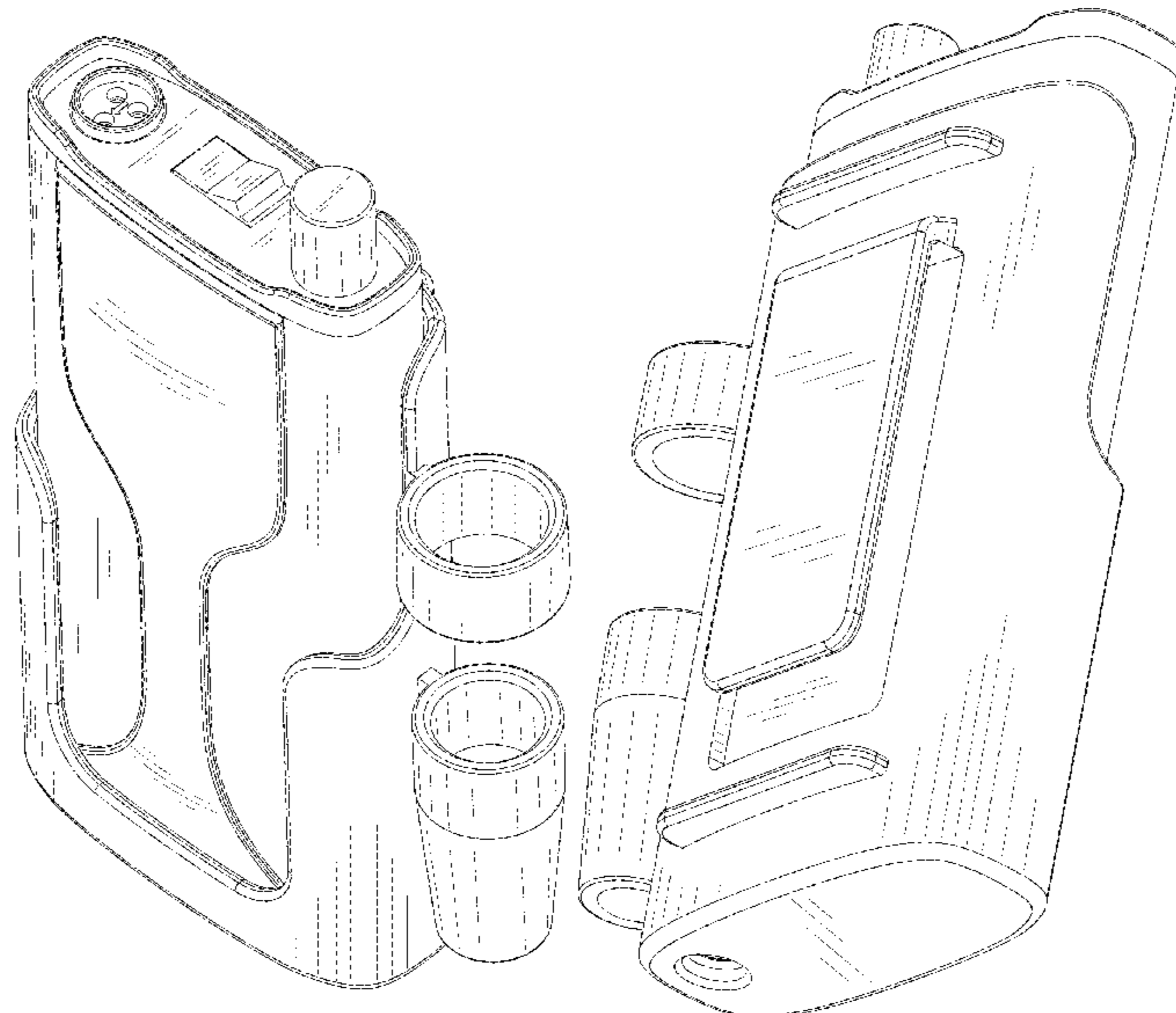
FIG. 1 is a front, top perspective view of the nail drill showing my new design;
FIG. 2 is a rear, bottom perspective view thereof;
FIG. 3 is a front elevational view thereof;
FIG. 4 is a rear elevational view thereof;
FIG. 5 is a left side elevational view thereof;
FIG. 6 is a right side elevational view thereof;
FIG. 7 is a top plan view thereof; and,
FIG. 8 is a bottom plan view thereof.

1 Claim, 7 Drawing Sheets

(56) **References Cited**

U.S. PATENT DOCUMENTS

D255,997 S * 7/1980 Maeda D10/57
D402,212 S * 12/1998 Sirois D10/57
D551,200 S * 9/2007 Escorcia D14/137
D637,287 S * 5/2011 Mudd D24/133
D665,767 S * 8/2012 Hancock D14/159
D765,523 S * 9/2016 Chapman D10/57
D784,942 S * 4/2017 Duran D14/137
D794,587 S * 8/2017 Page D14/137
D822,280 S * 7/2018 Dadon D28/58
D825,107 S * 8/2018 Du D28/58
D847,006 S * 4/2019 Hu D10/57
D878,320 S * 3/2020 Sandberg D14/159
D881,146 S * 4/2020 Nilsen D14/137



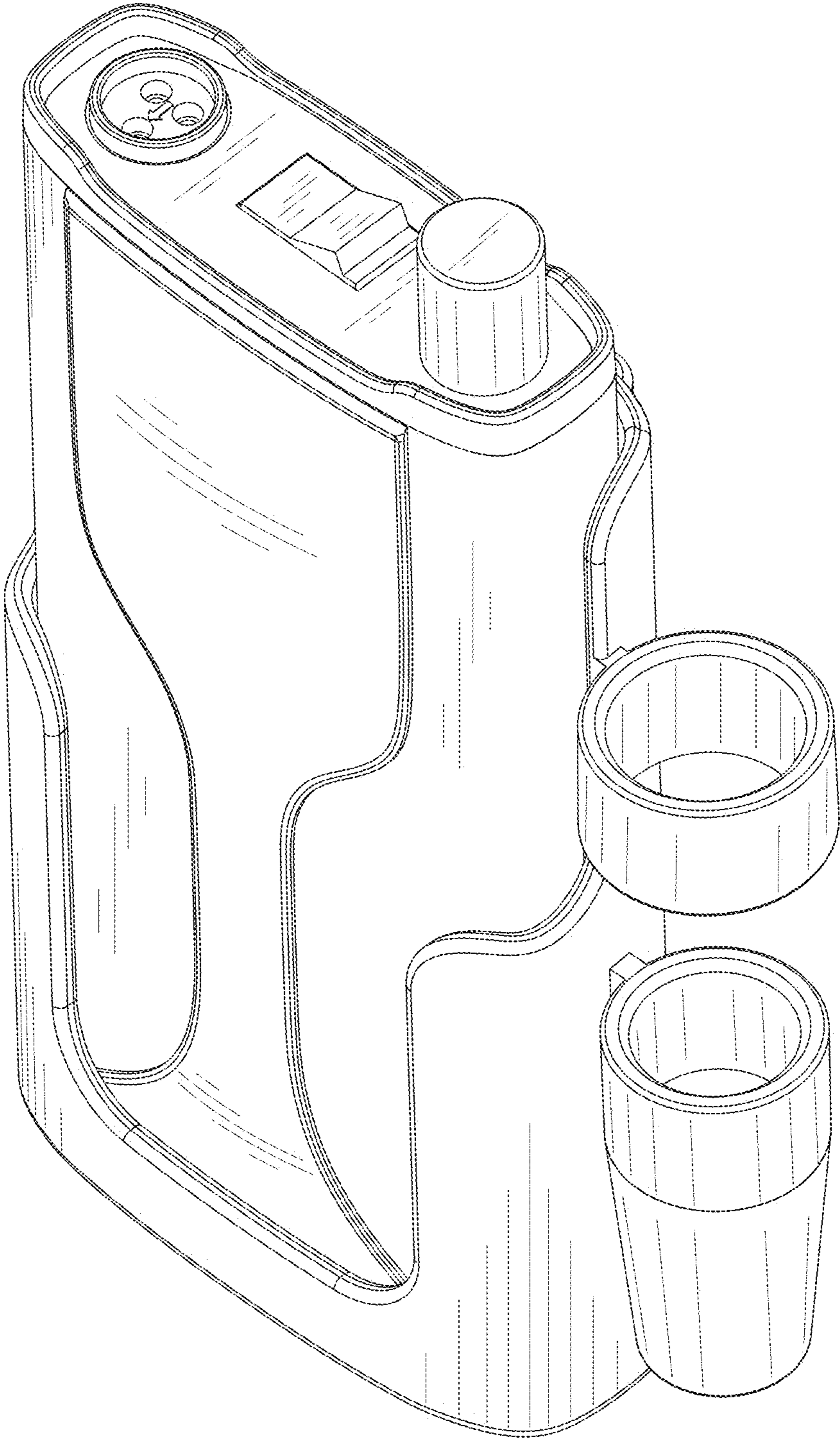


FIG. 1

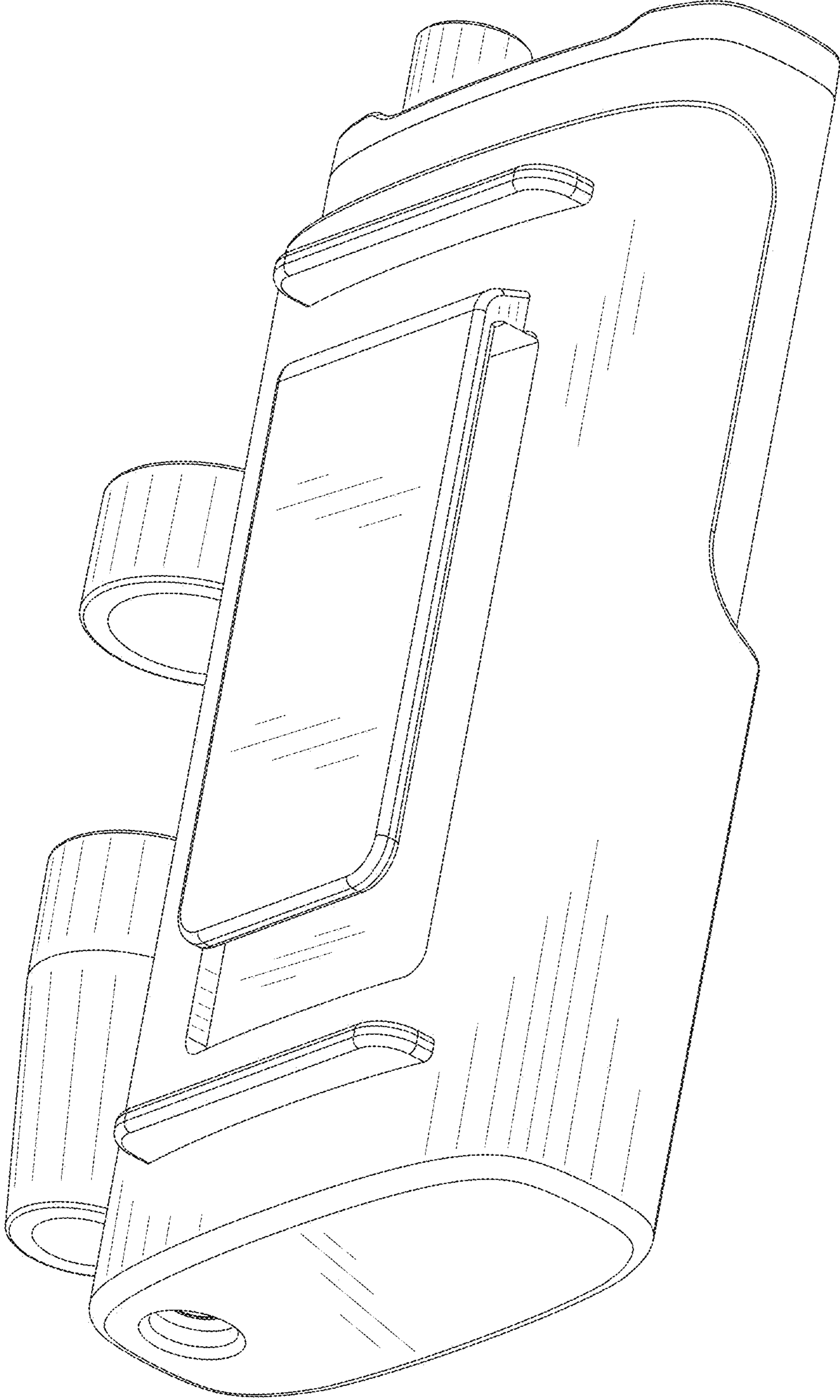


FIG. 2

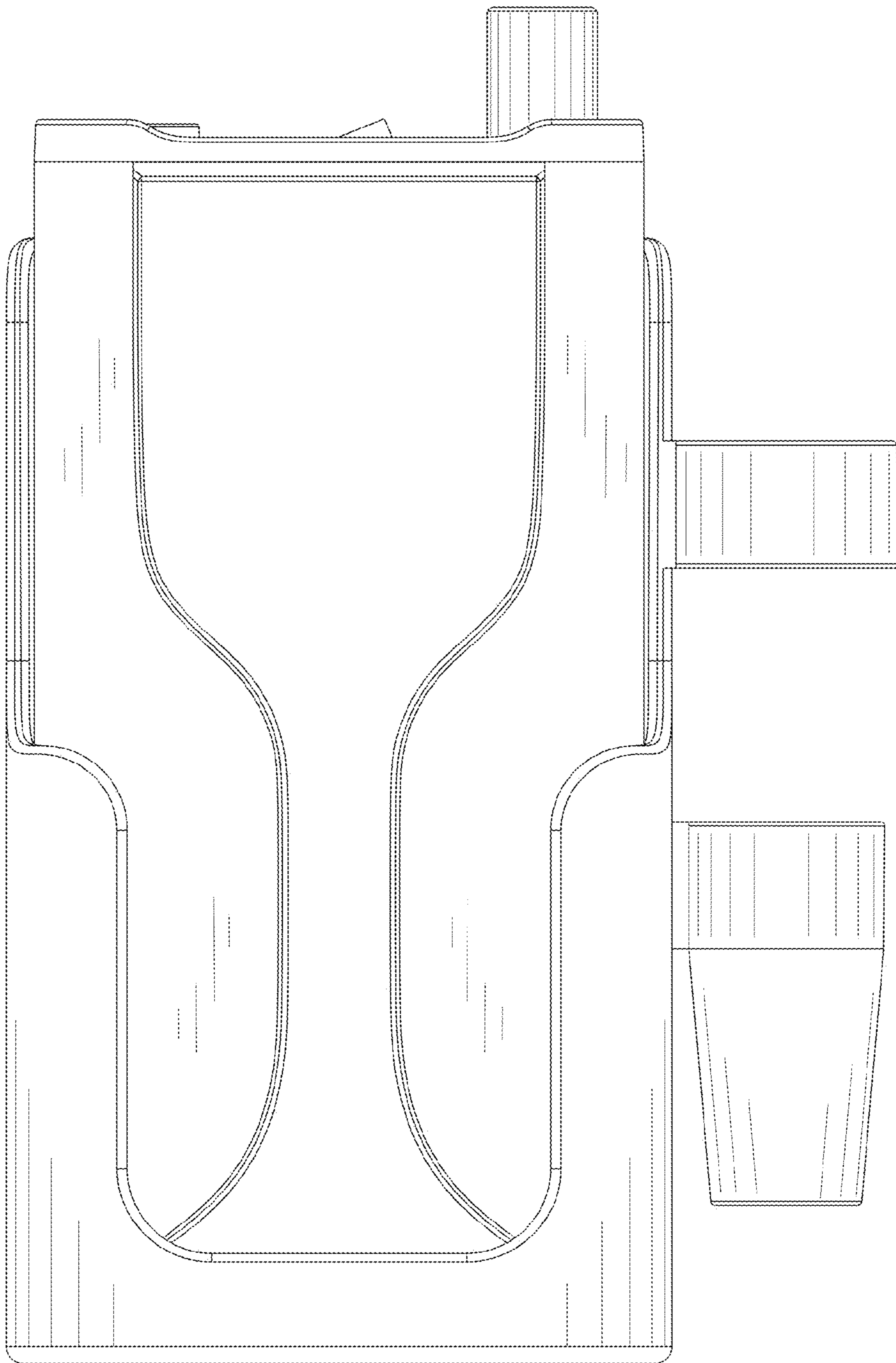


FIG. 3

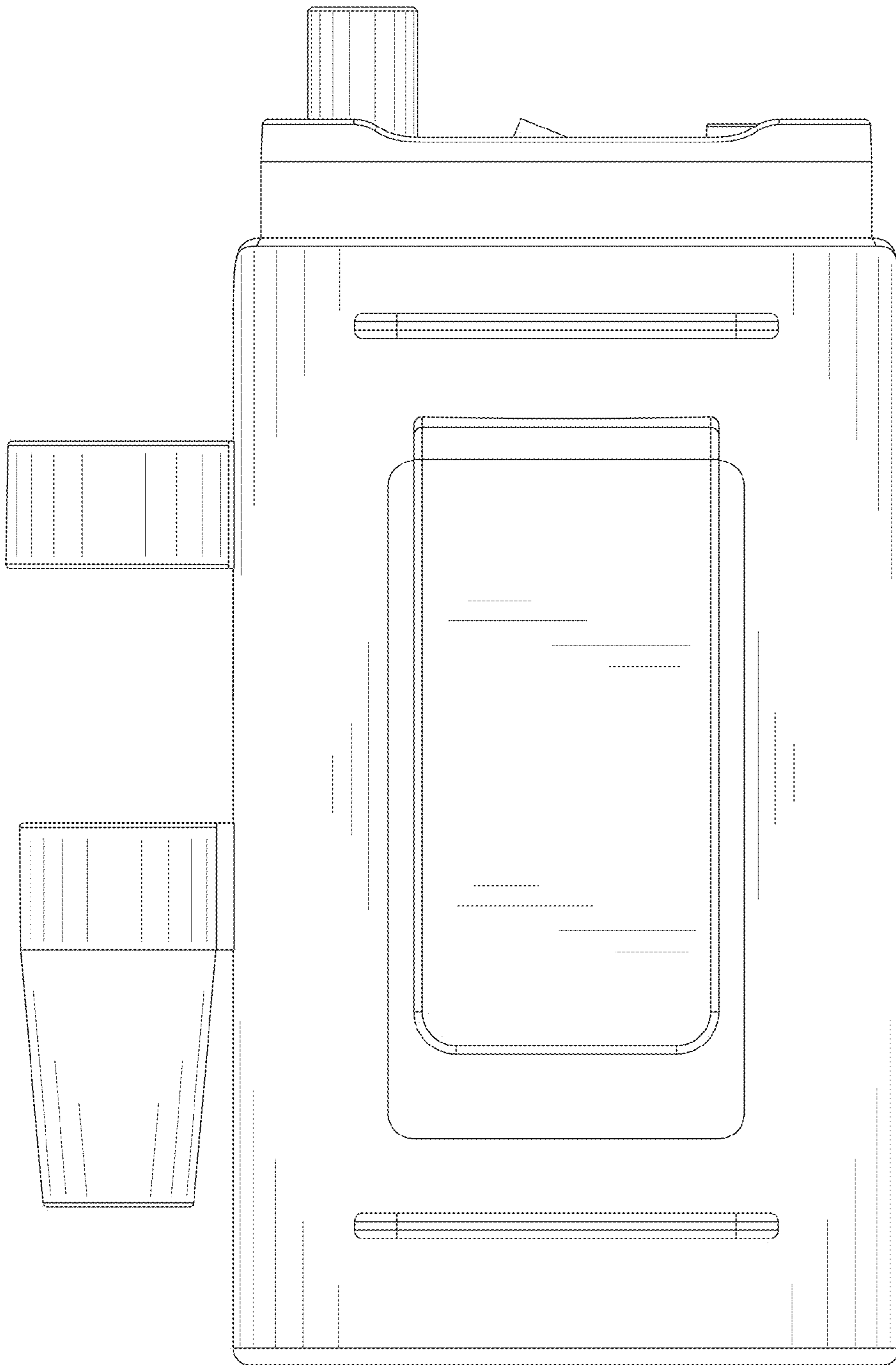


FIG. 4

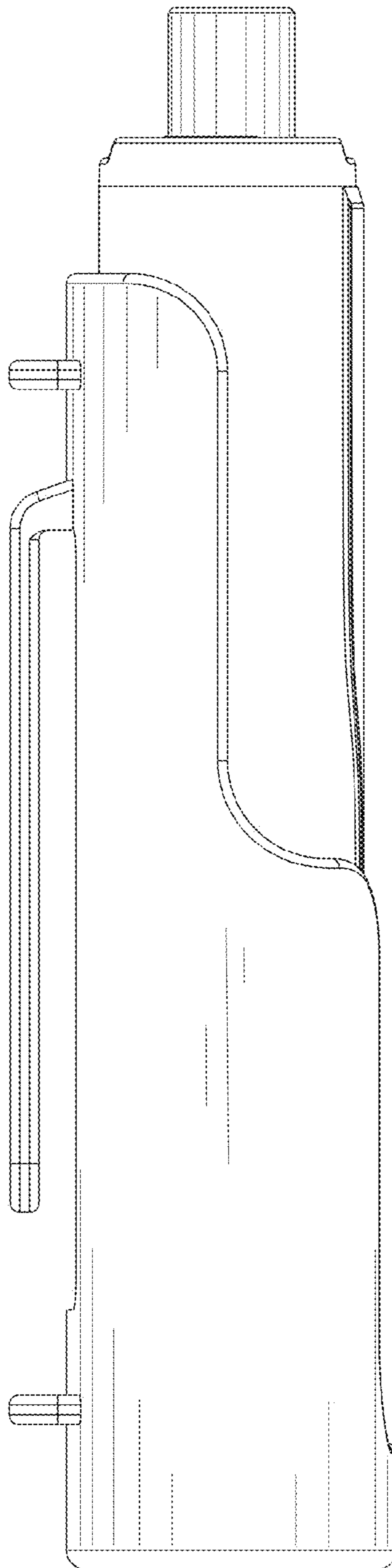


FIG. 5

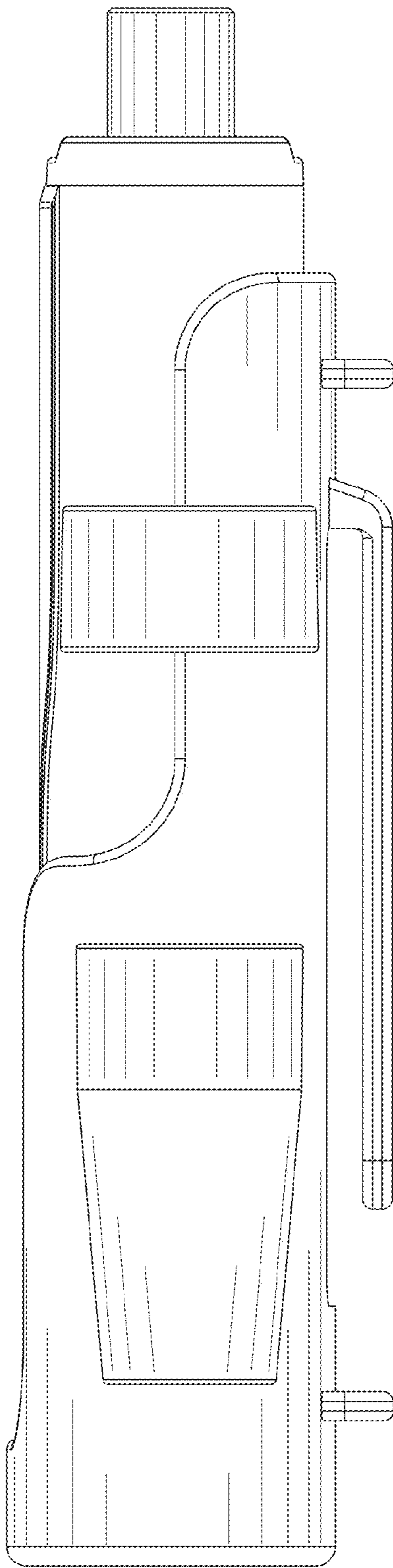


FIG. 6

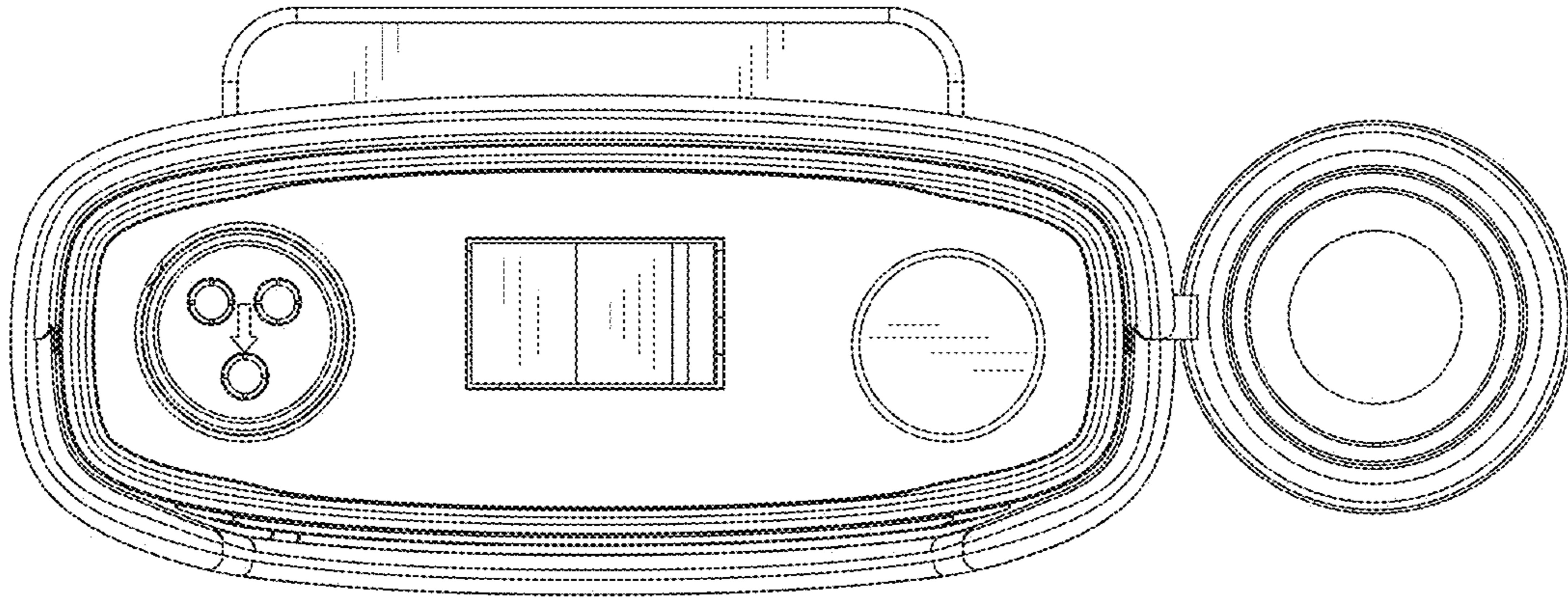


FIG. 7

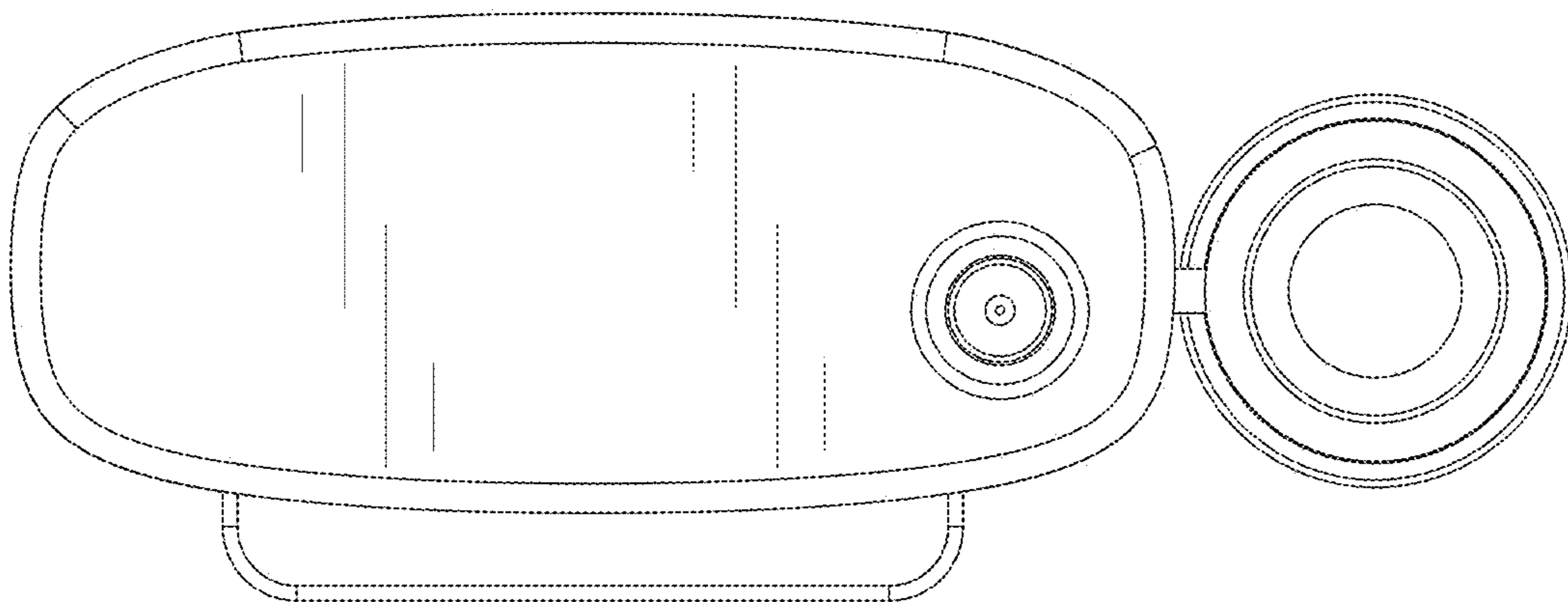


FIG. 8