



US00D903196S

(12) **United States Design Patent** (10) **Patent No.:** **US D903,196 S**
Carlucci (45) **Date of Patent:** **** Nov. 24, 2020**

- (54) **ALIGNMENT TOOL FOR HAIR SHAVER ADJUSTMENT SYSTEM**
- (71) Applicant: **Conair Corporation**, Stamford, CT (US)
- (72) Inventor: **Vito Carlucci**, Stratford, CT (US)
- (73) Assignee: **Conair Corporation**, Stamford, CT (US)
- (**) Term: **15 Years**
- (21) Appl. No.: **29/693,198**
- (22) Filed: **May 31, 2019**
- (51) **LOC (12) Cl.** **28-03**
- (52) **U.S. Cl.**
USPC **D28/54**
- (58) **Field of Classification Search**
USPC D28/54
CPC . B26B 19/063; B26B 19/205; B26B 19/3846;
B26B 19/3806; B26B 19/3813; B26B 19/3826
- See application file for complete search history.

(56) **References Cited**

U.S. PATENT DOCUMENTS

- 7,290,349 B1 * 11/2007 Carpenter B26B 19/3830/200
- 7,350,314 B2 * 4/2008 McCambridge B25B 15/0233/626
- 8,806,757 B2 * 8/2014 Moseman B26B 19/384630/43.92
- 9,144,913 B2 * 9/2015 Gross B26B 19/3893
- D785,249 S * 4/2017 Torres D28/54
- 9,943,972 B2 * 4/2018 Werner B26B 19/3813
- 2012/0198716 A1 * 8/2012 Tonges B26B 19/389333/641

- 2014/0331504 A1 * 11/2014 Michel B26B 13/2430/233.5
- 2016/0207209 A1 * 7/2016 Ulery, II B26B 19/20
- 2019/0152076 A1 * 5/2019 Sablatschan B26B 19/3846
- 2020/0055205 A1 * 2/2020 Werner B26B 19/06

* cited by examiner

Primary Examiner — Jennifer Rivard

(74) *Attorney, Agent, or Firm* — Lawrence Cruz, Esq.; Ryan, Mason & Lewis, LLP

(57) **CLAIM**

The ornamental design for an alignment tool for hair shaver adjustment system, as shown and described.

DESCRIPTION

FIG. 1 is a perspective view of the alignment tool for hair shaver adjustment system in accordance with the principles of the present disclosure;

FIG. 2 is a left-side elevational view alignment tool for hair shaver adjustment system in accordance with the principles of the present disclosure;

FIG. 3 is a top plan view of alignment tool for hair shaver adjustment system in accordance with the principles of the present disclosure;

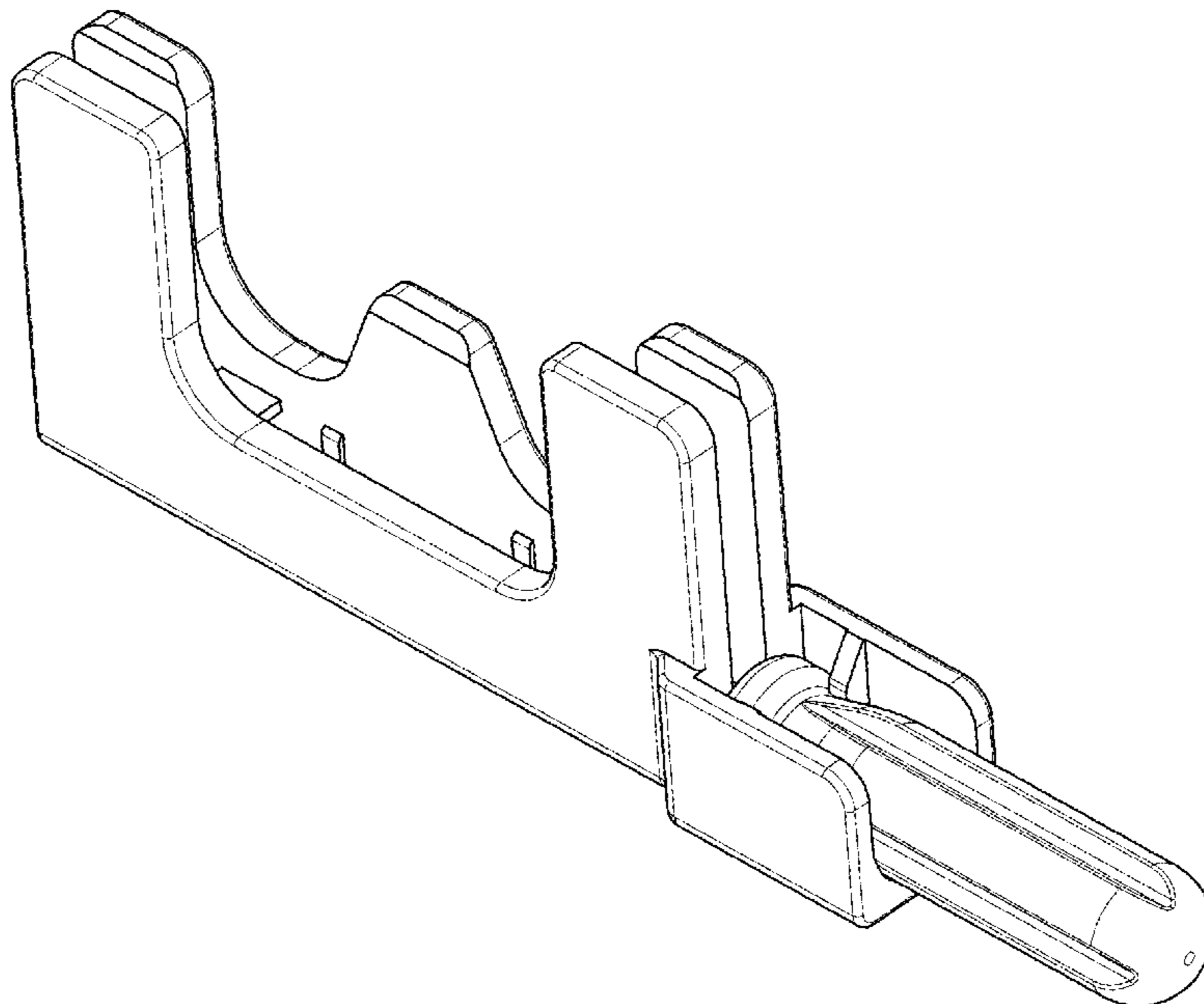
FIG. 4 is a right-side elevational view alignment tool for hair shaver adjustment system in accordance with the principles of the present disclosure;

FIG. 5 is a bottom plan view of alignment tool for hair shaver adjustment system in accordance with the principles of the present disclosure;

FIG. 6 is a front axial view of the alignment tool for hair shaver adjustment system in accordance with the principles of the present disclosure; and,

FIG. 7 is a rear axial view of the alignment tool for hair shaver adjustment system in accordance with the principles of the present disclosure.

1 Claim, 4 Drawing Sheets



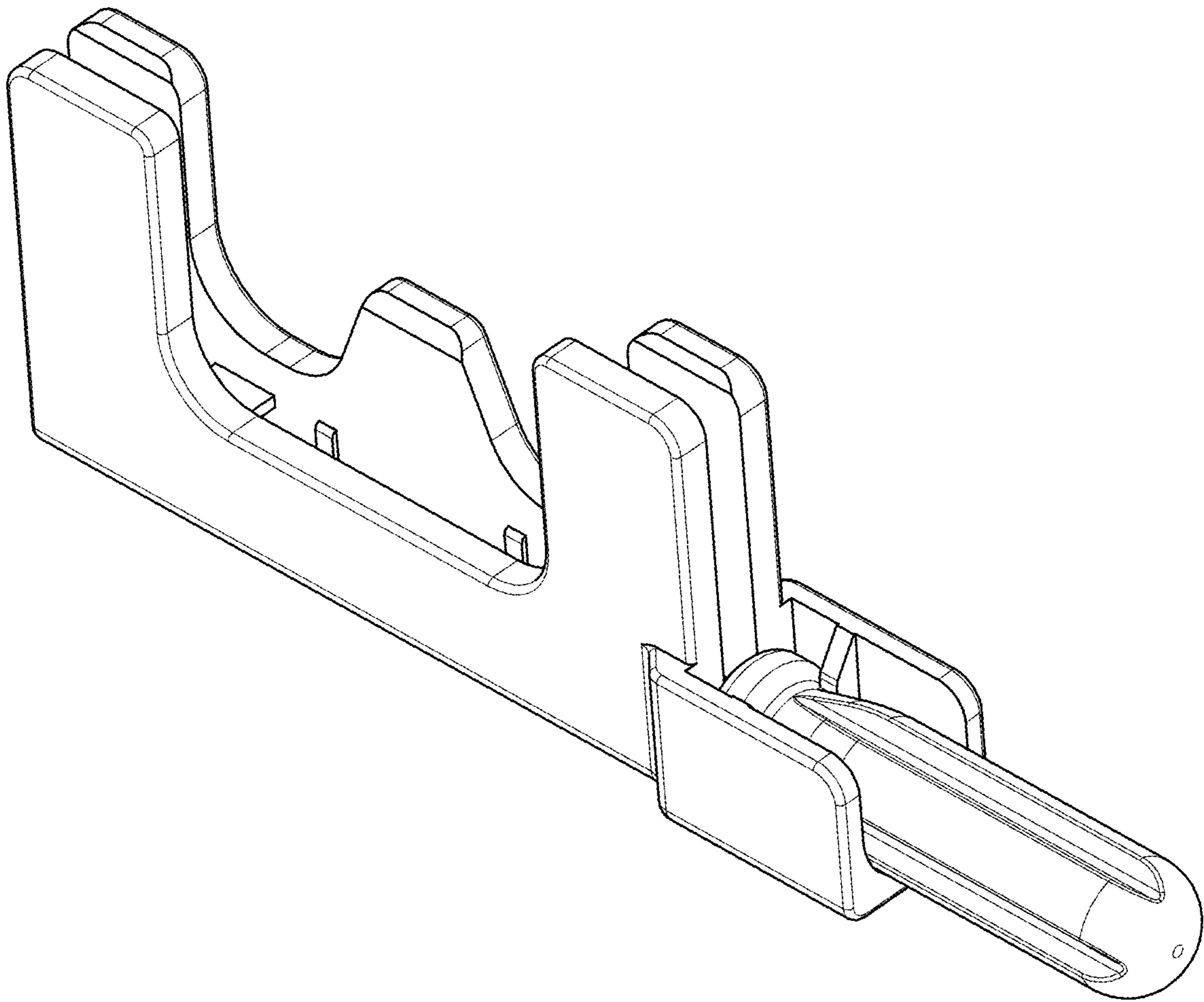


FIG. 1

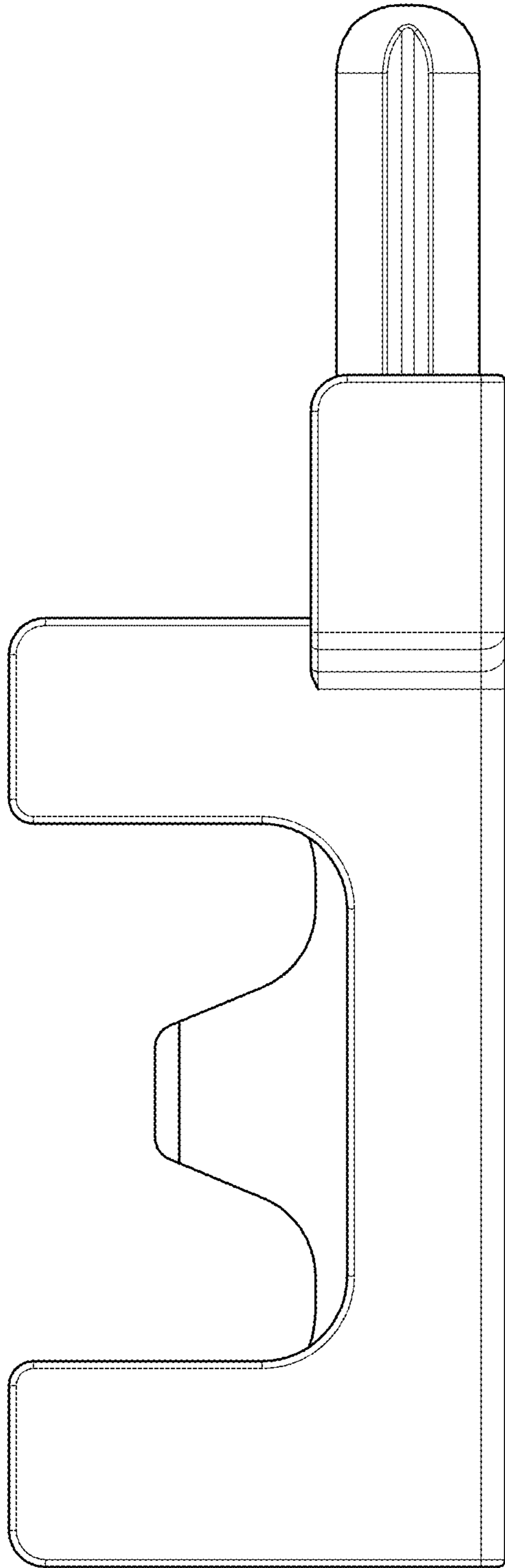


FIG. 2

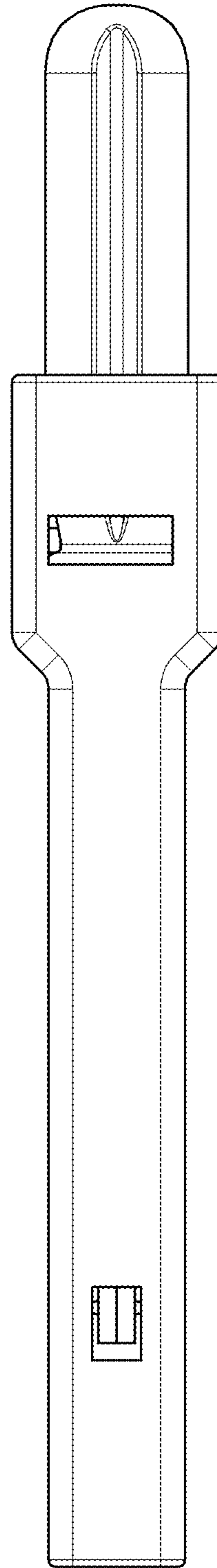


FIG. 3

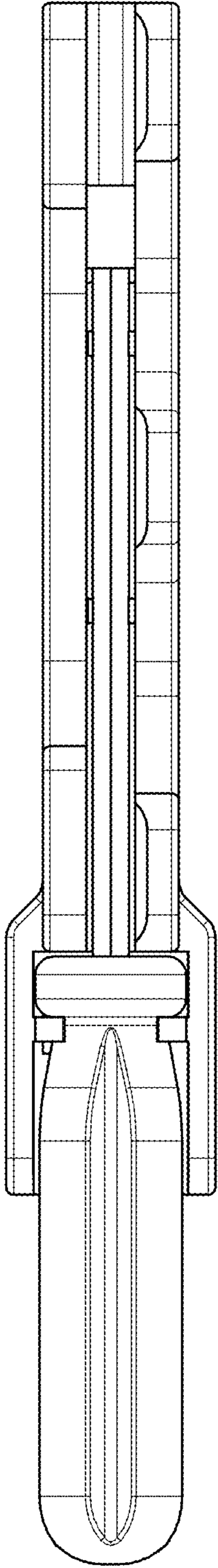


FIG. 4

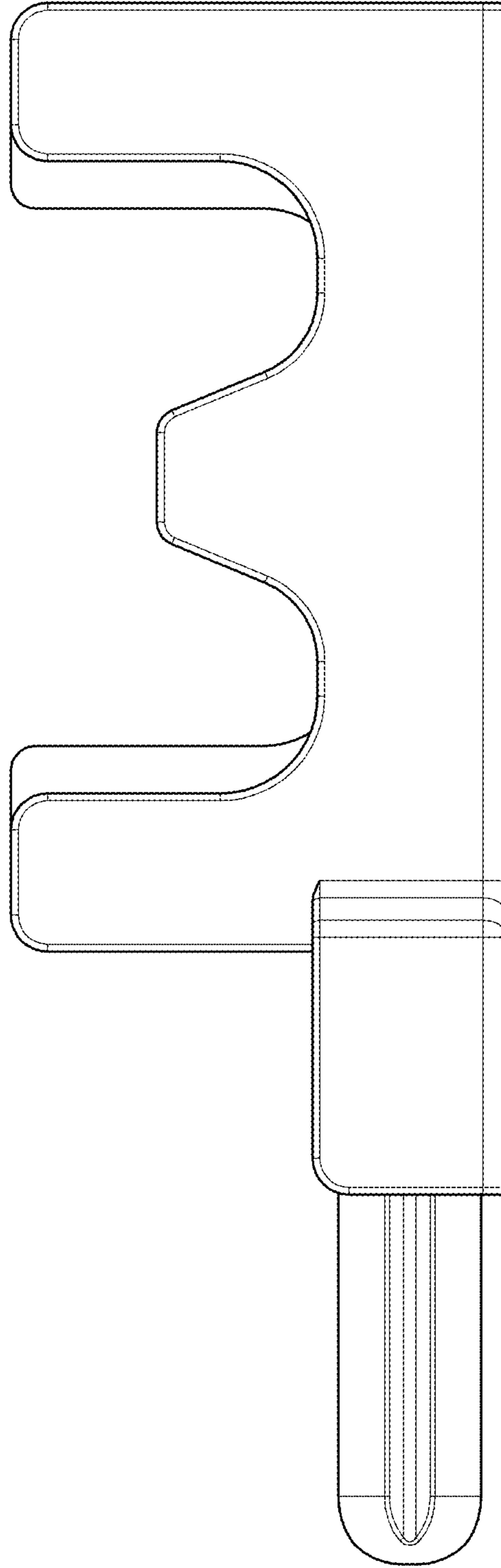


FIG. 5

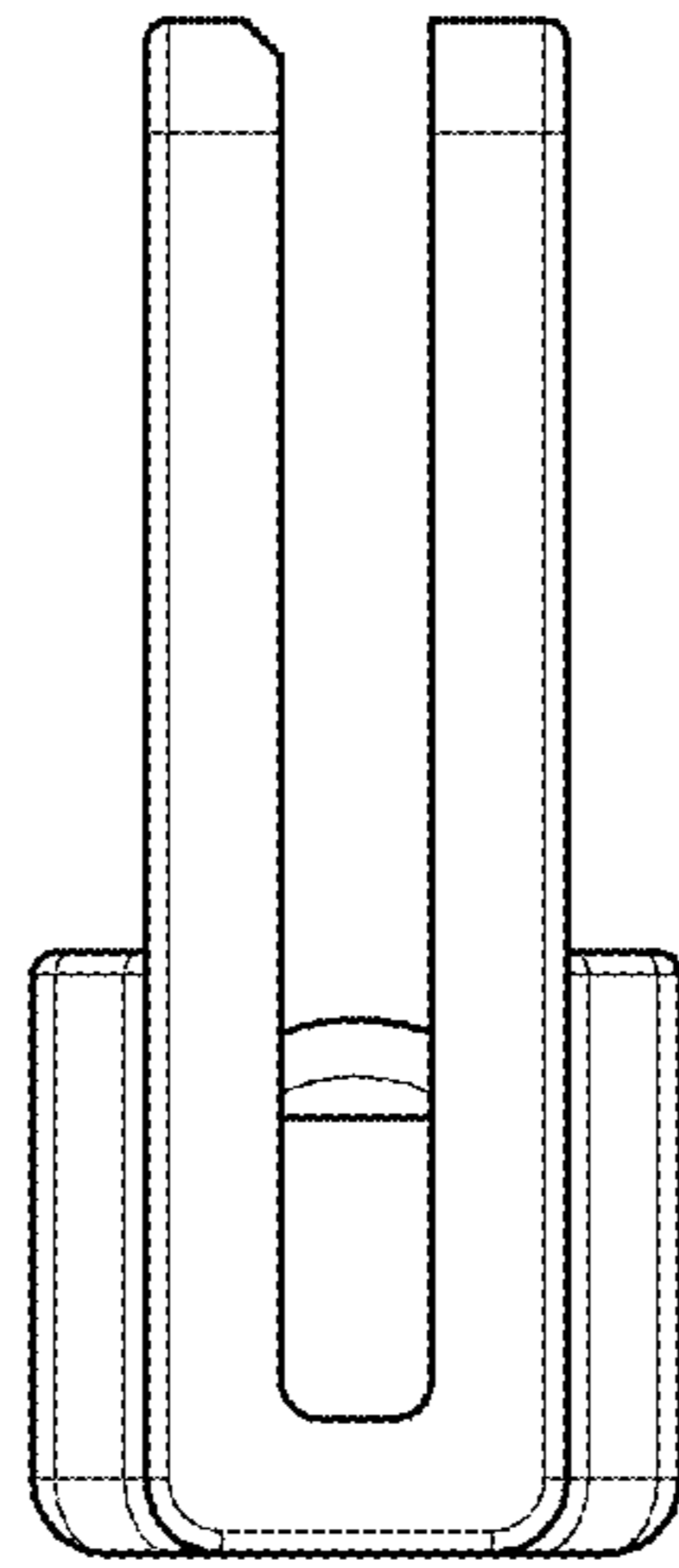


FIG. 6

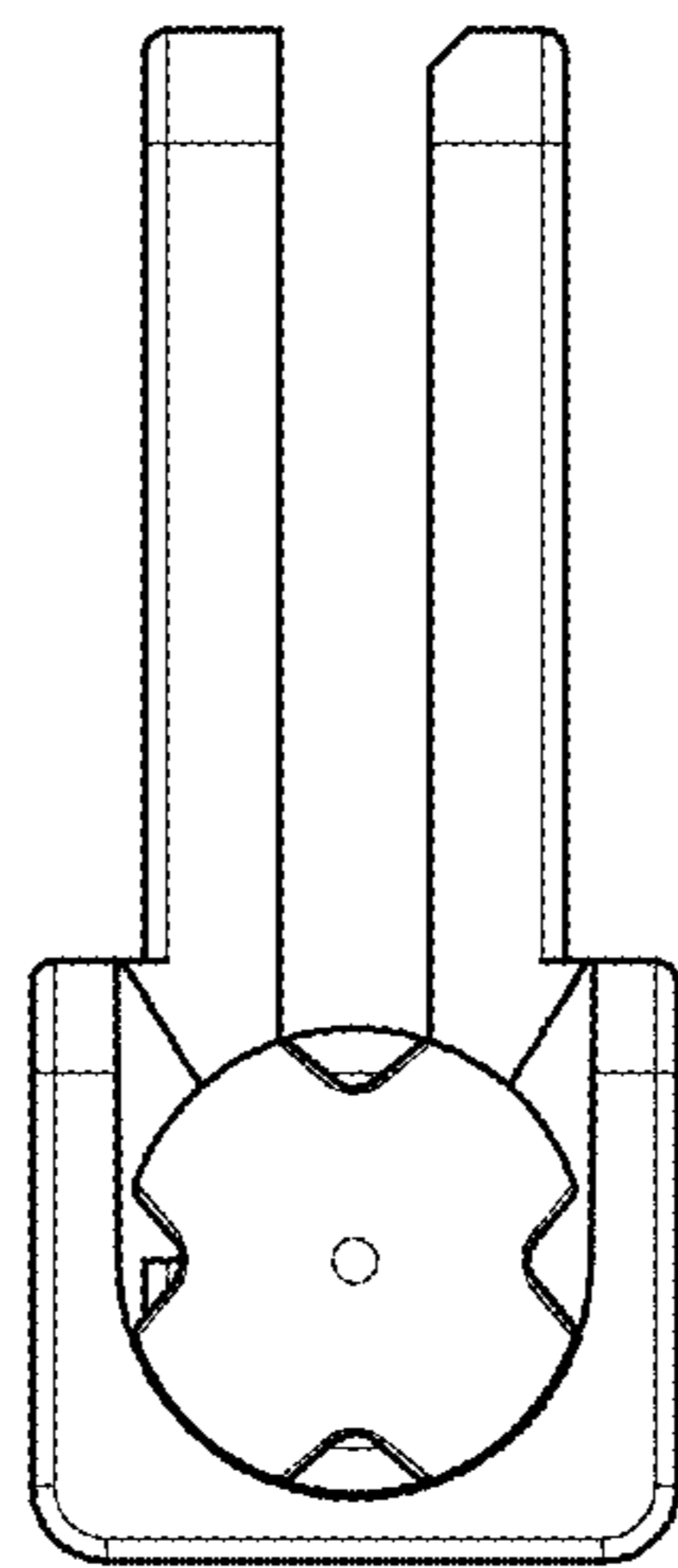


FIG. 7