



US00D903195S

(12) **United States Design Patent**
Zhou

(10) **Patent No.:** **US D903,195 S**

(45) **Date of Patent:** **** Nov. 24, 2020**

(54) **ELECTRIC NOSE HAIR TRIMMER**

(71) Applicant: **TOUCHBEAUTY BEAUTY & HEALTH (SHENZHEN) CO., LTD.**,
Shenzhen (CN)

(72) Inventor: **Elin Zhou**, Shenzhen (CN)

(73) Assignee: **TOUCHBEAUTY BEAUTY & HEALTH (SHENZHEN) CO., LTD.**,
Shenzhen (CN)

(**) Term: **15 Years**

(21) Appl. No.: **29/702,884**

(22) Filed: **Aug. 22, 2019**

(51) **LOC (12) Cl.** **28-03**

(52) **U.S. Cl.**
USPC **D28/50**

(58) **Field of Classification Search**
USPC D28/49–54, 76, 77, 85
CPC B26B 19/00–107; B26B 19/12–265; B26B
19/38; B26B 19/3853–3866; B26B
19/3873–388; B26B 19/46
See application file for complete search history.

(56) **References Cited**

U.S. PATENT DOCUMENTS

D536,135 S *	1/2007	Kitagawa	D28/53
D536,136 S *	1/2007	Kitagawa	D28/53
D873,489 S *	1/2020	Zhou	D28/50
D881,470 S *	4/2020	Zhou	D28/53
2005/0172490 A1 *	8/2005	Yiu	B26B 21/00 30/34.1

2011/0067241 A1 *	3/2011	Ogawa	B26B 19/148 30/29.5
2011/0196360 A1 *	8/2011	McCatty	A61M 13/003 606/27
2018/0326603 A1 *	11/2018	Moss	B26B 19/16

OTHER PUBLICATIONS

Touchbeauty Ear and Nose Hair Trimmer, www.amazon.com, downloaded Sep. 2020, 1 page (Year: 2020).*

* cited by examiner

Primary Examiner — Jennifer Rivard

(57) **CLAIM**

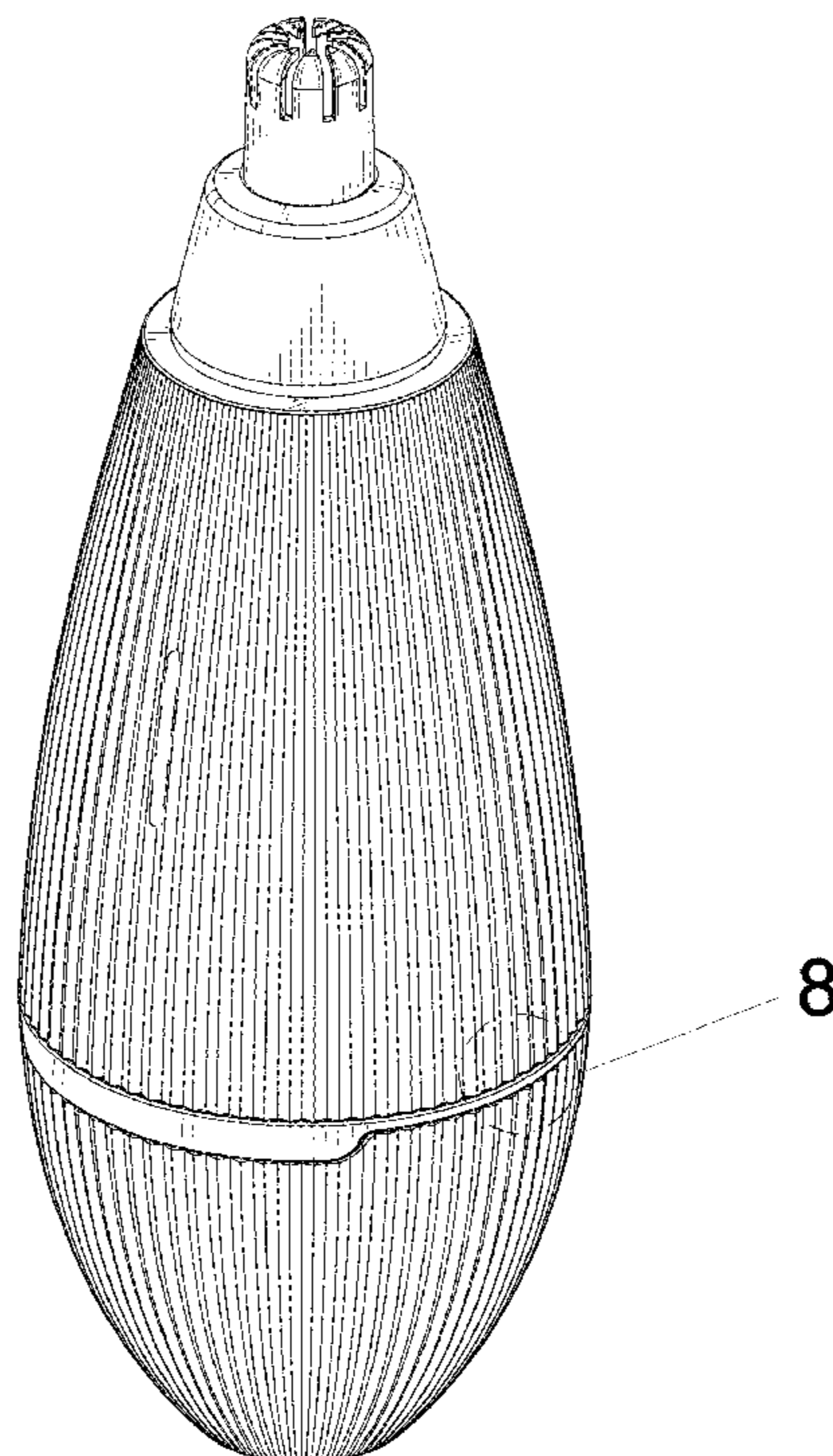
The ornamental design for an electric nose hair trimmer, as shown and described.

DESCRIPTION

FIG. 1 is a front elevation view of an electric nose hair trimmer showing our new design; FIG. 2 is a rear elevation view thereof; FIG. 3 is a left side view thereof; FIG. 4 is a right side view thereof; FIG. 5 is a top plan view thereof; FIG. 6 is a bottom plan view thereof; FIG. 7 is a first perspective view thereof; and, FIG. 8 is an enlarged view of the part designated as “8” in FIG. 7.

The evenly broken lines in the drawings illustrate portions of the article that form no part of the claim. The dot-dash lines shown from FIGS. 7 and 8 represent the designation of enlargement views and form no part of the claimed design.

1 Claim, 8 Drawing Sheets



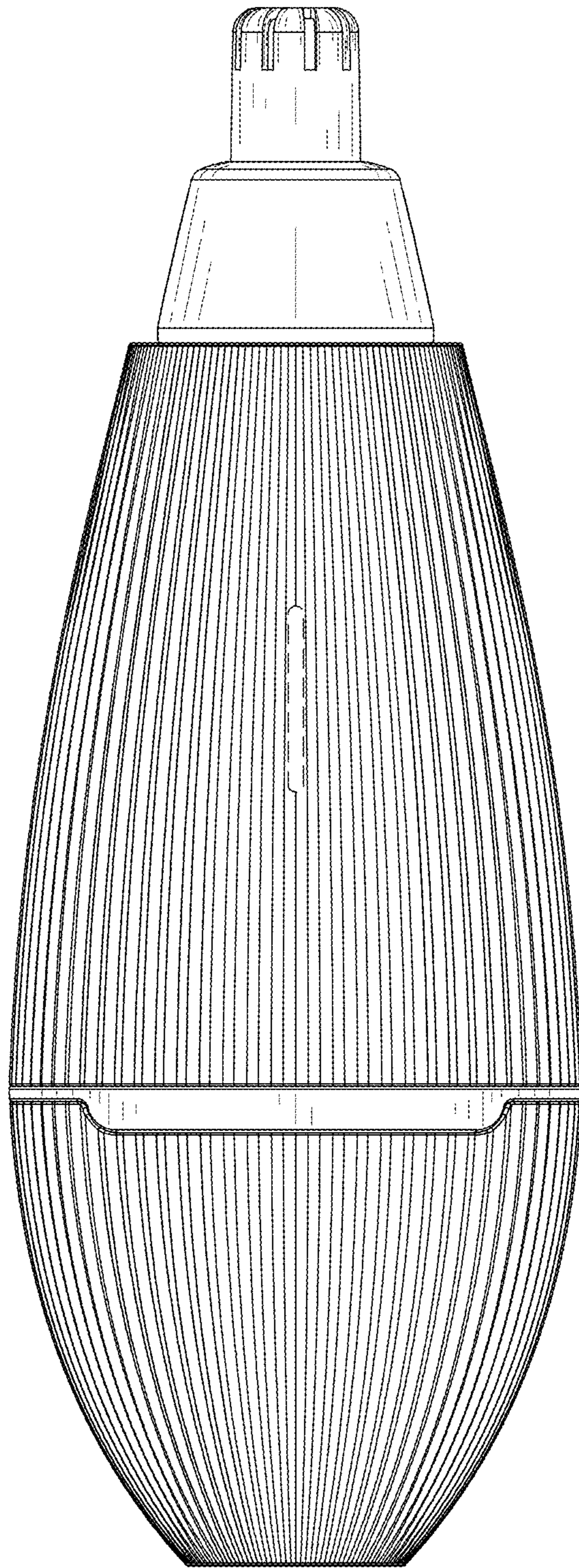


FIG. 1

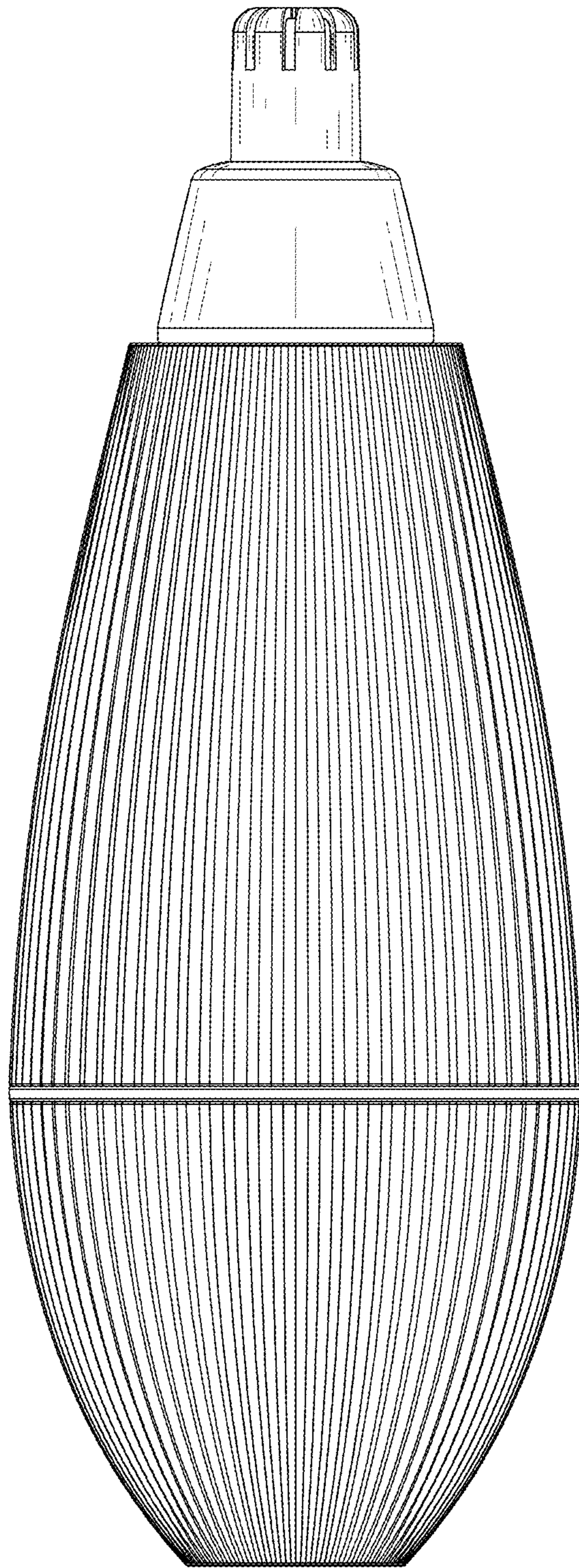


FIG. 2

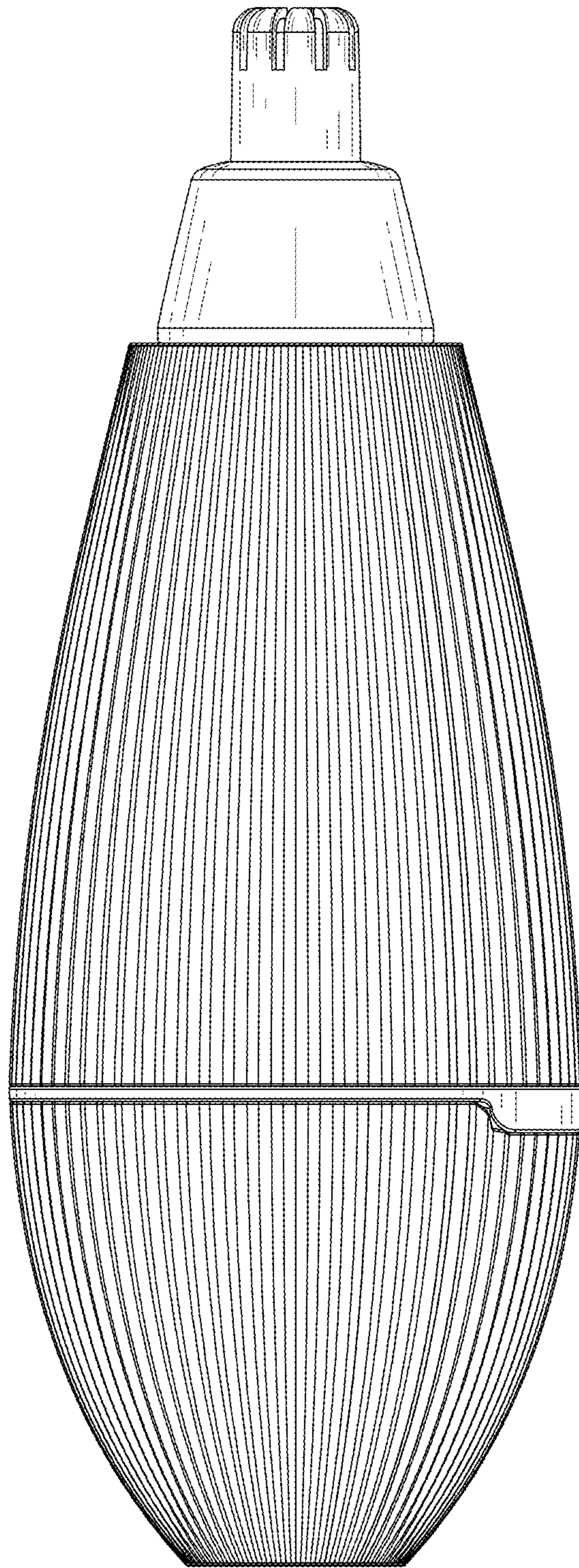


FIG.3

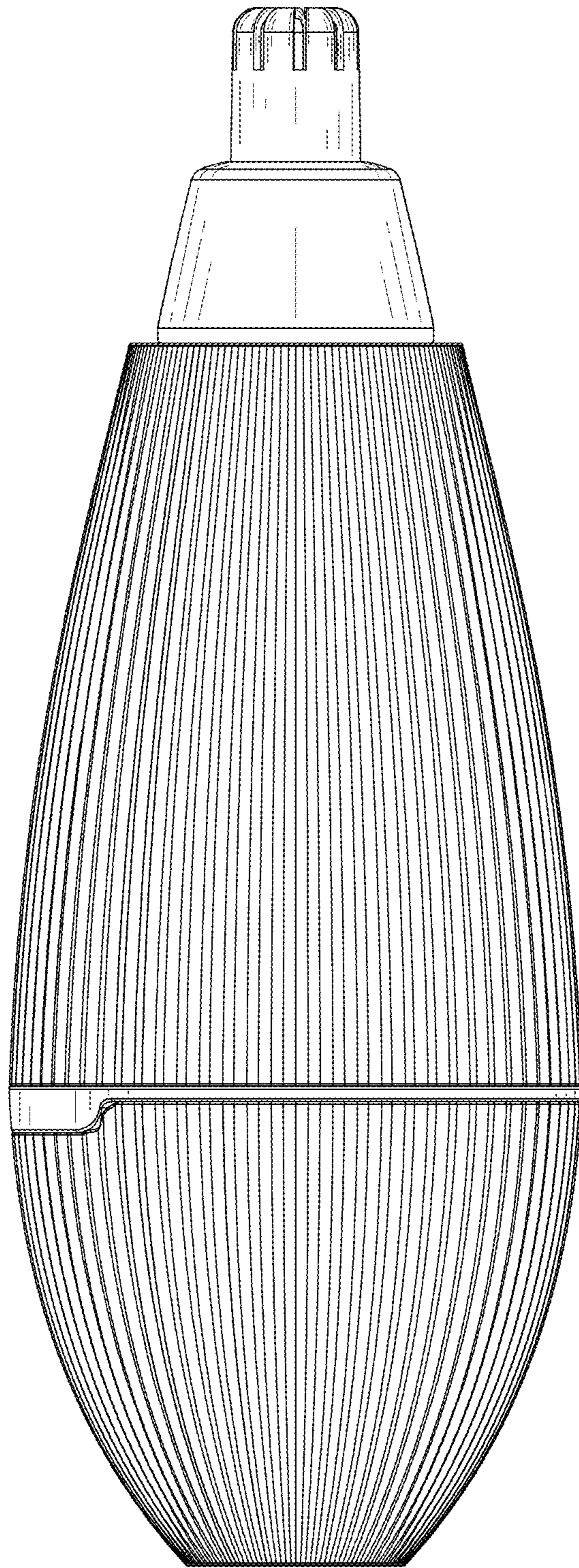


FIG. 4

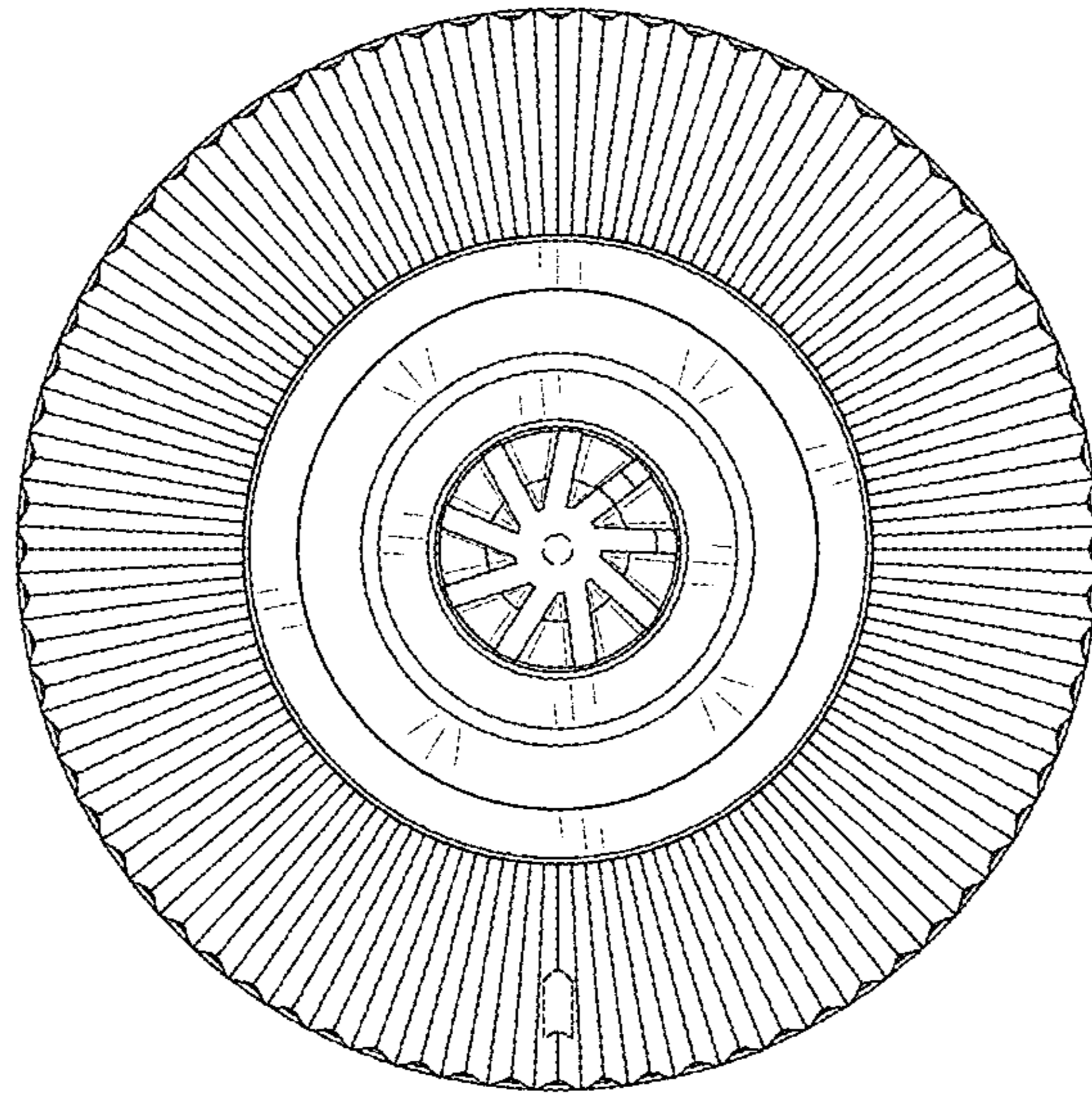


FIG.5

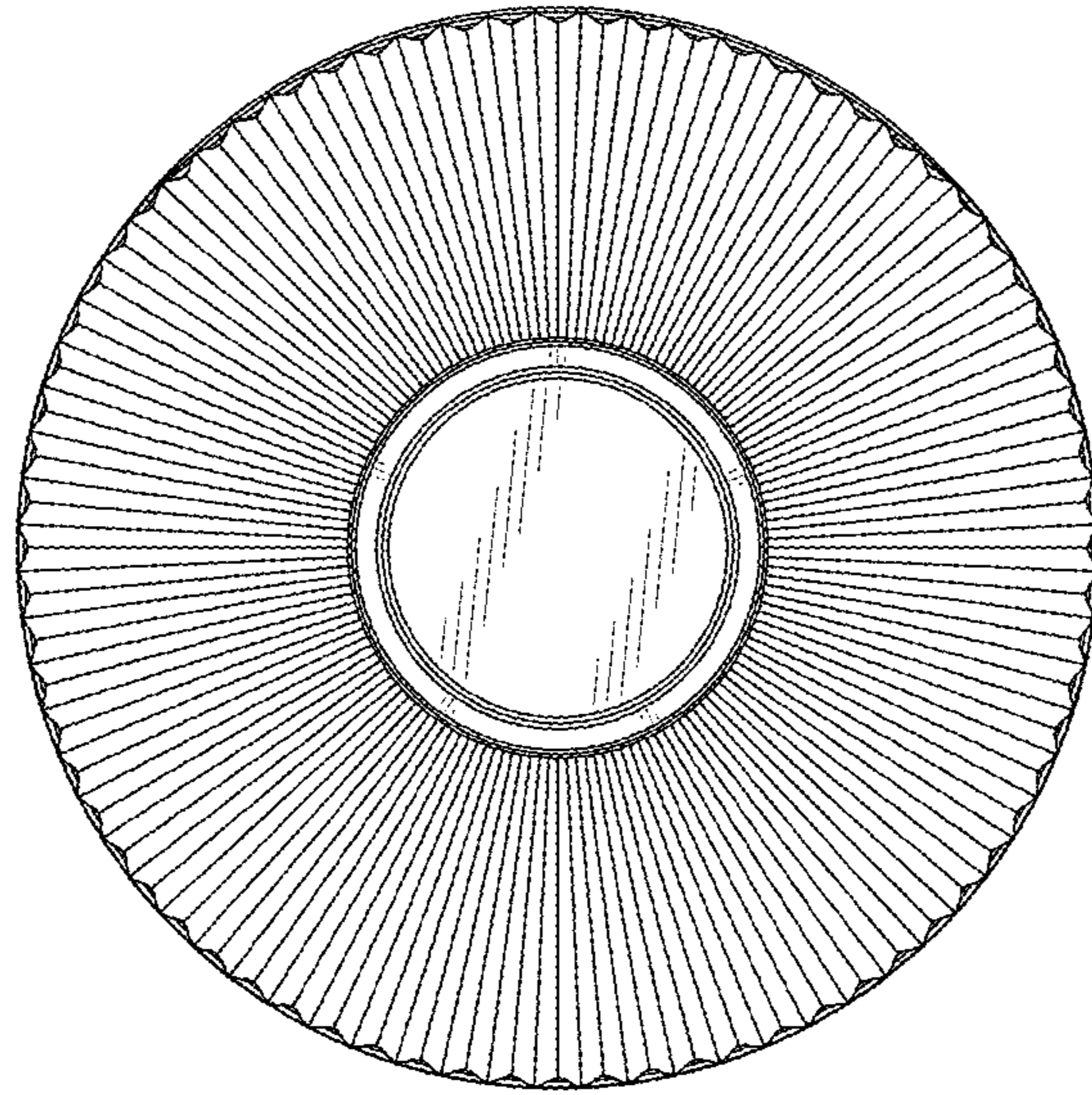


FIG.6

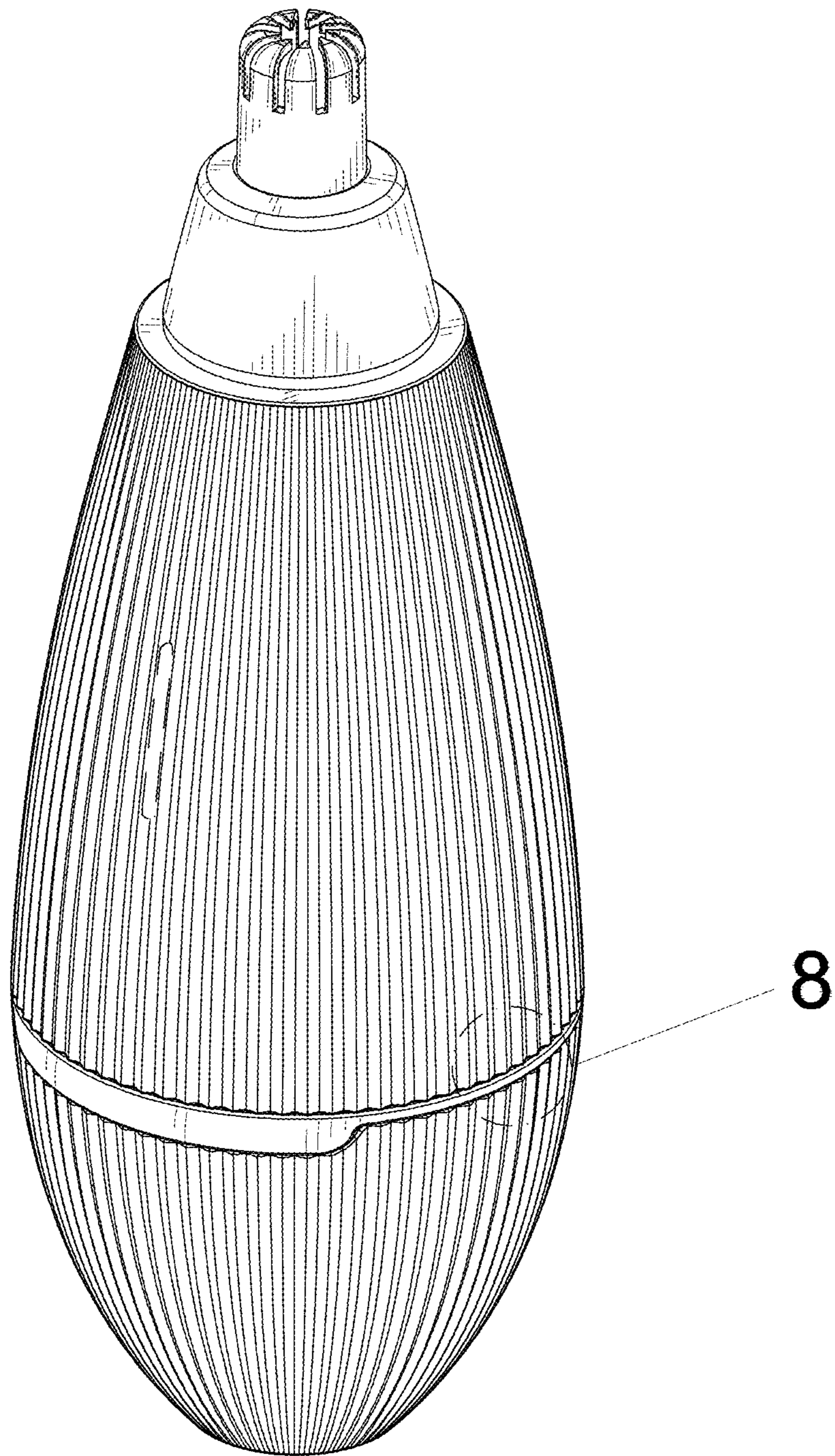


FIG.7

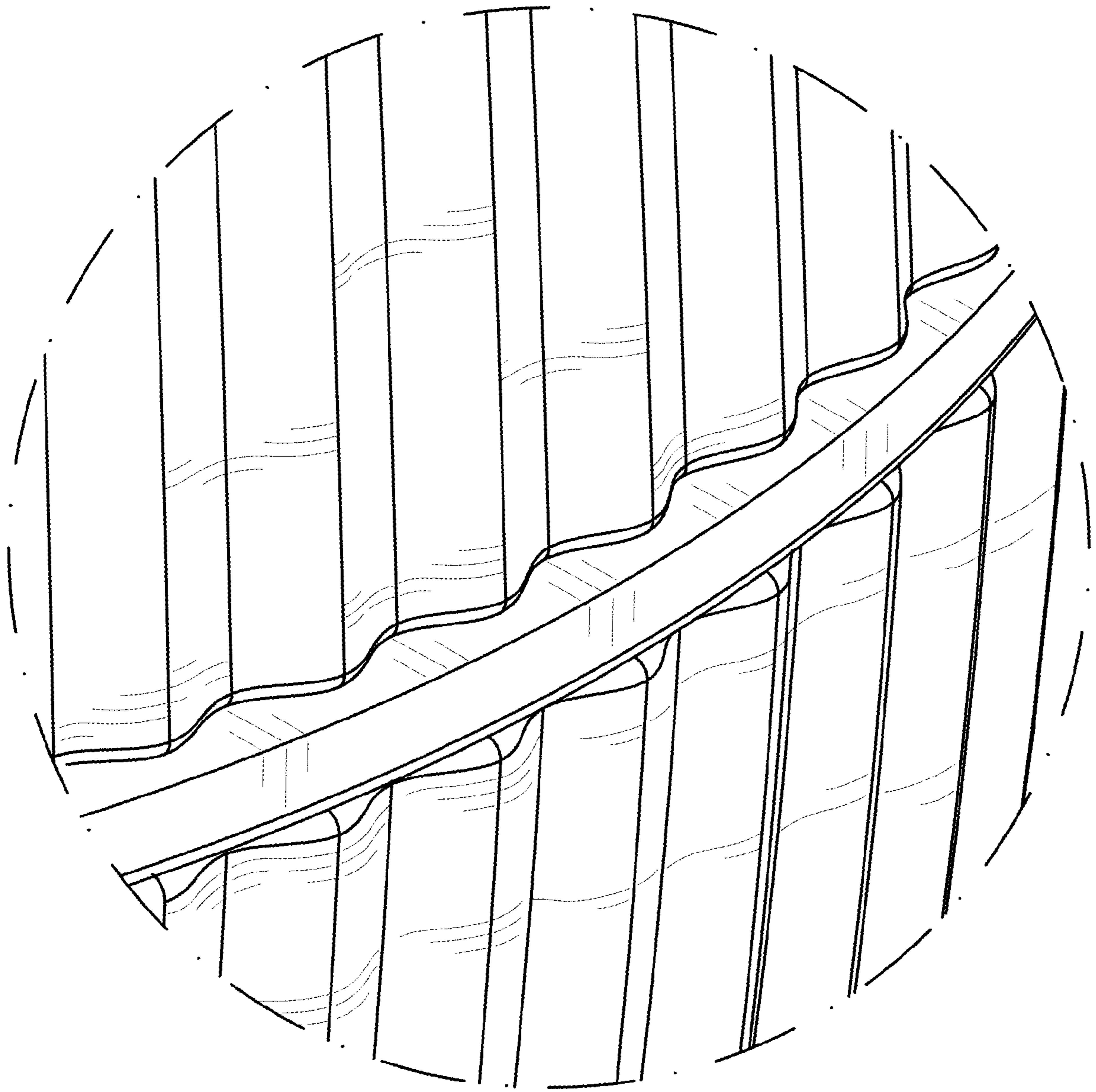


FIG.8