



US00D903194S

(12) **United States Design Patent**  
**Huang**

(10) **Patent No.:** **US D903,194 S**

(45) **Date of Patent:** **\*\* Nov. 24, 2020**

(54) **HAIR DRYER**

(71) Applicant: **Dongguan Empress Technology Co., Ltd.**, Dongguan (CN)

(72) Inventor: **Hali Huang**, Hanchuan (CN)

(73) Assignee: **Dongguan Empress Technology Co., Ltd.**

(\*\*) Term: **15 Years**

(21) Appl. No.: **29/686,735**

(22) Filed: **Apr. 7, 2019**

(51) **LOC (12) Cl.** ..... **28-03**

(52) **U.S. Cl.**  
USPC ..... **D28/13**

(58) **Field of Classification Search**  
USPC ..... D28/12-19  
CPC ..... A45D 20/00; A45D 20/10; A45D 20/12;  
A45D 20/18

See application file for complete search history.

(56) **References Cited**

**U.S. PATENT DOCUMENTS**

D253,253 S \* 10/1979 Rakocy ..... D28/13  
D296,140 S \* 6/1988 Snyder ..... D28/13  
D299,874 S \* 2/1989 Yamagami ..... D28/13

D343,698 S \* 1/1994 Sharples ..... D28/13  
D345,042 S \* 3/1994 Montagnino ..... D28/13  
D422,114 S \* 3/2000 Gudefin ..... D28/13  
D425,662 S \* 5/2000 Cheung ..... D28/13  
D653,393 S \* 1/2012 Oh ..... D28/13  
D782,731 S \* 3/2017 Smith ..... D28/13  
D782,733 S \* 3/2017 Smith ..... D28/13

\* cited by examiner

*Primary Examiner* — Zenia I Bennett

(57) **CLAIM**

The ornamental design for a hair dryer, as shown and described.

**DESCRIPTION**

FIG. 1 is a front view of a hair dryer, showing my new design;

FIG. 2 is a back view thereof;

FIG. 3 is a left side view thereof;

FIG. 4 is a right side view thereof;

FIG. 5 is a top view thereof;

FIG. 6 is a bottom view thereof;

FIG. 7 is a perspective view thereof;

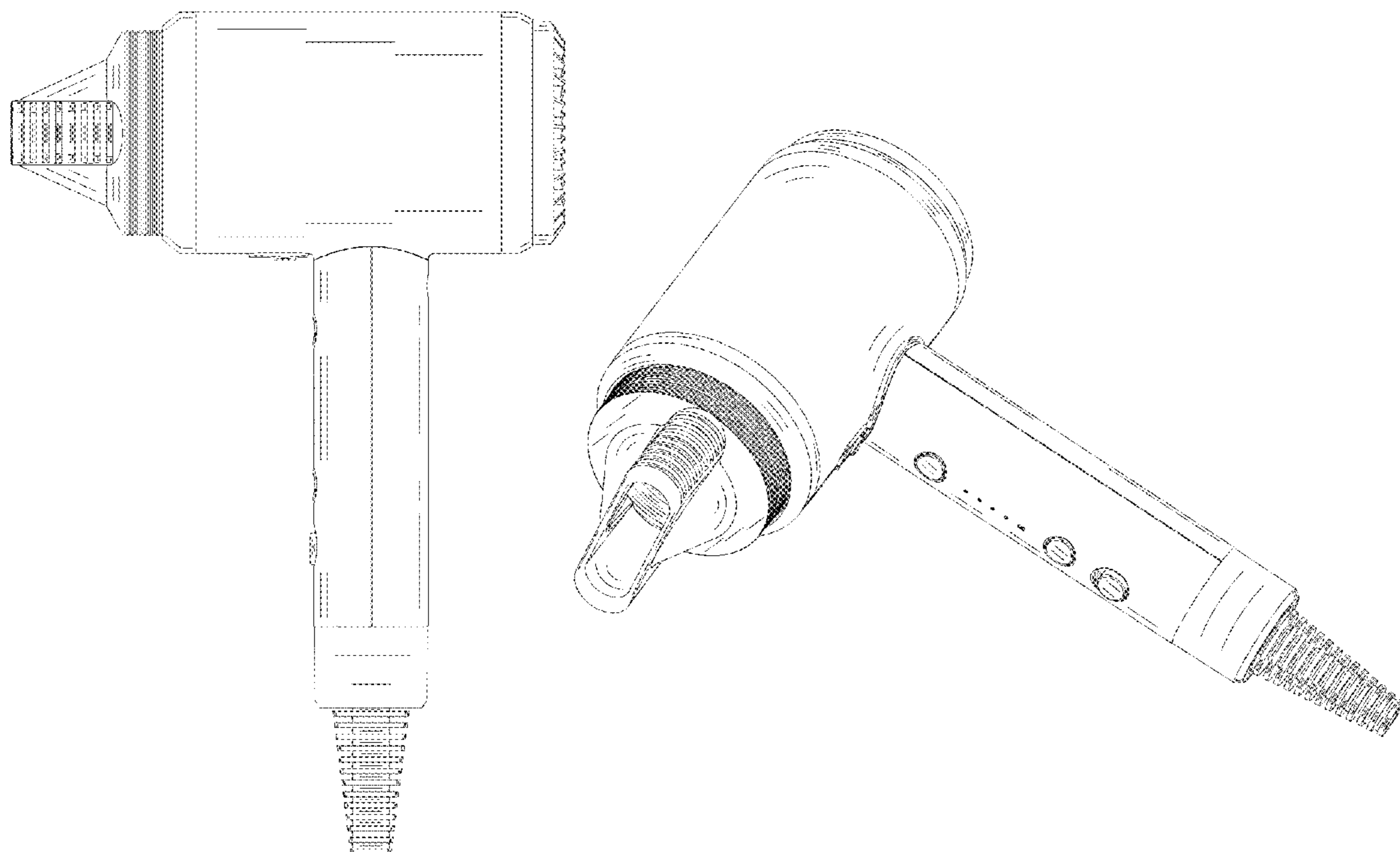
FIG. 8 is a perspective view thereof;

FIG. 9 is a perspective view thereof; and,

FIG. 10 is another perspective view thereof, shown with the stand in extended condition.

The broken line shown in the drawings are for the purpose of illustrating portions of the article and form no part of the claimed design.

**1 Claim, 10 Drawing Sheets**



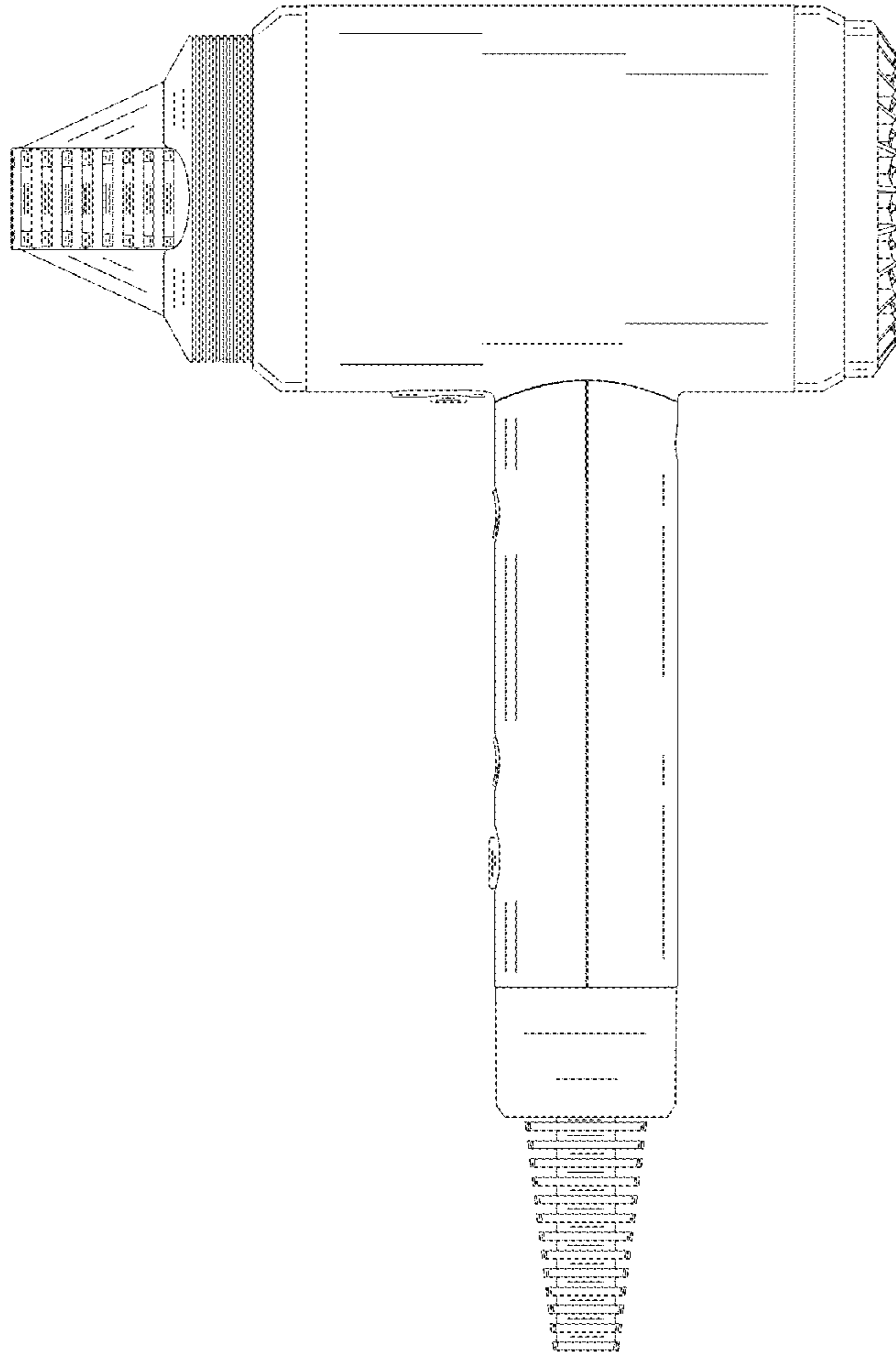


FIG. 1

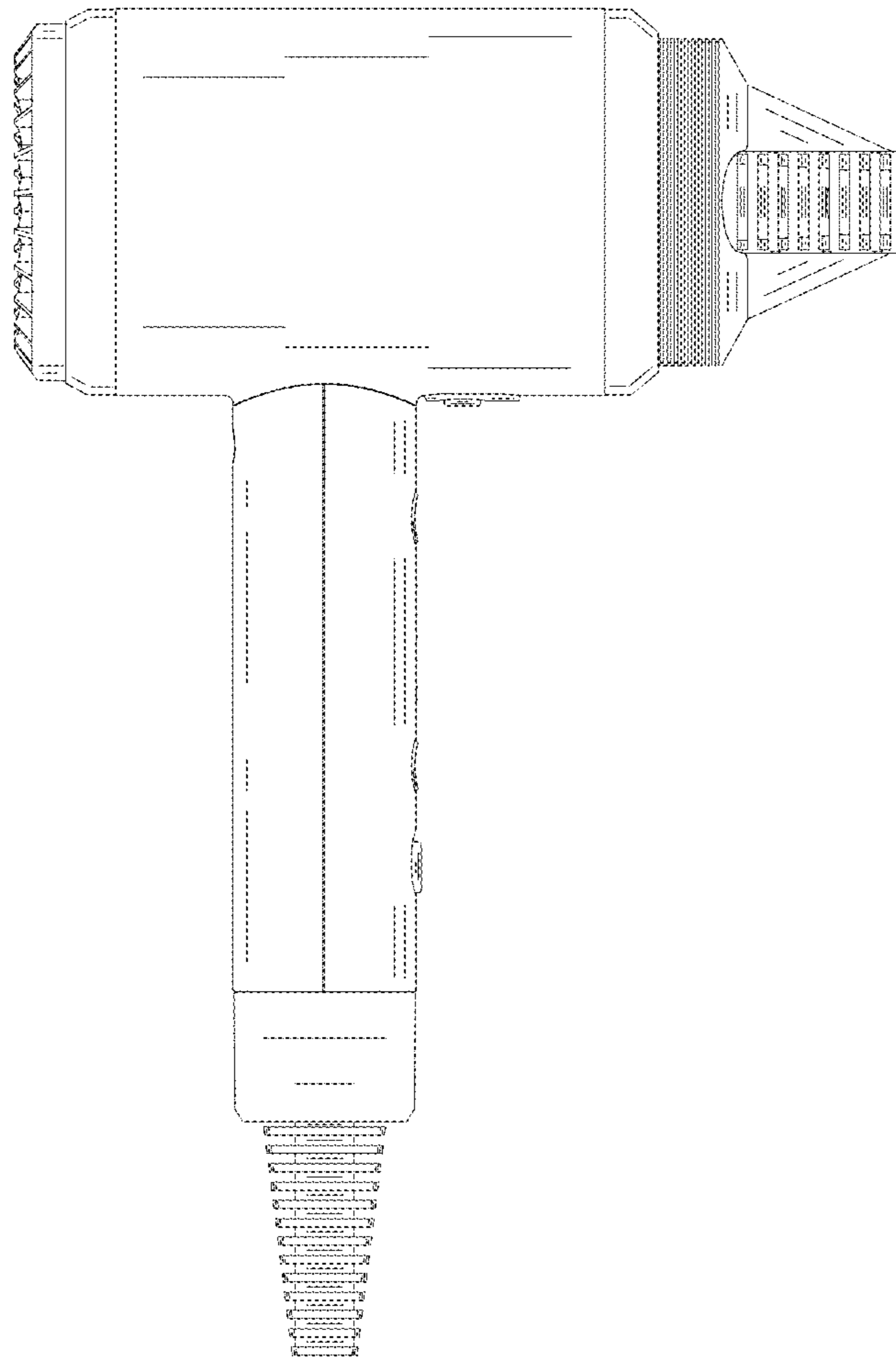


FIG. 2

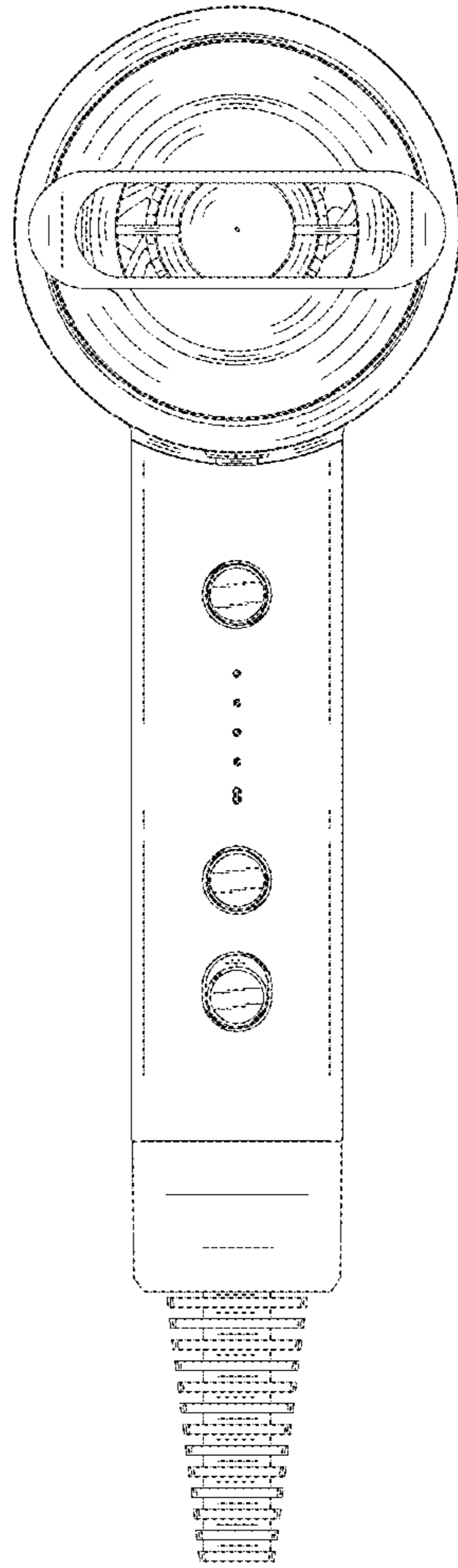


FIG. 3

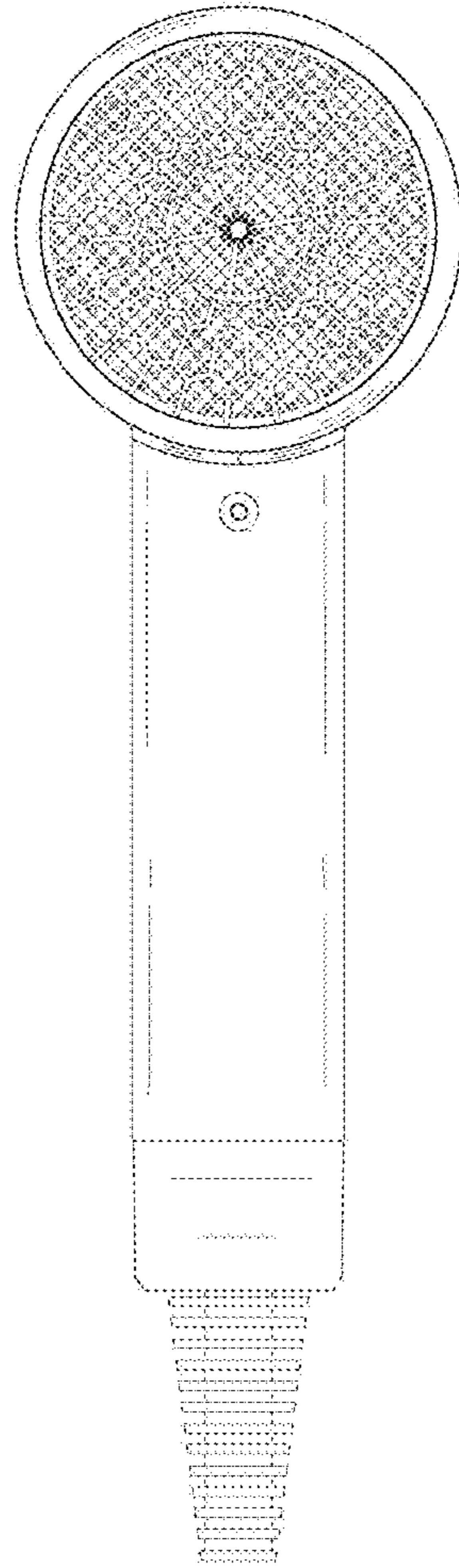


FIG. 4

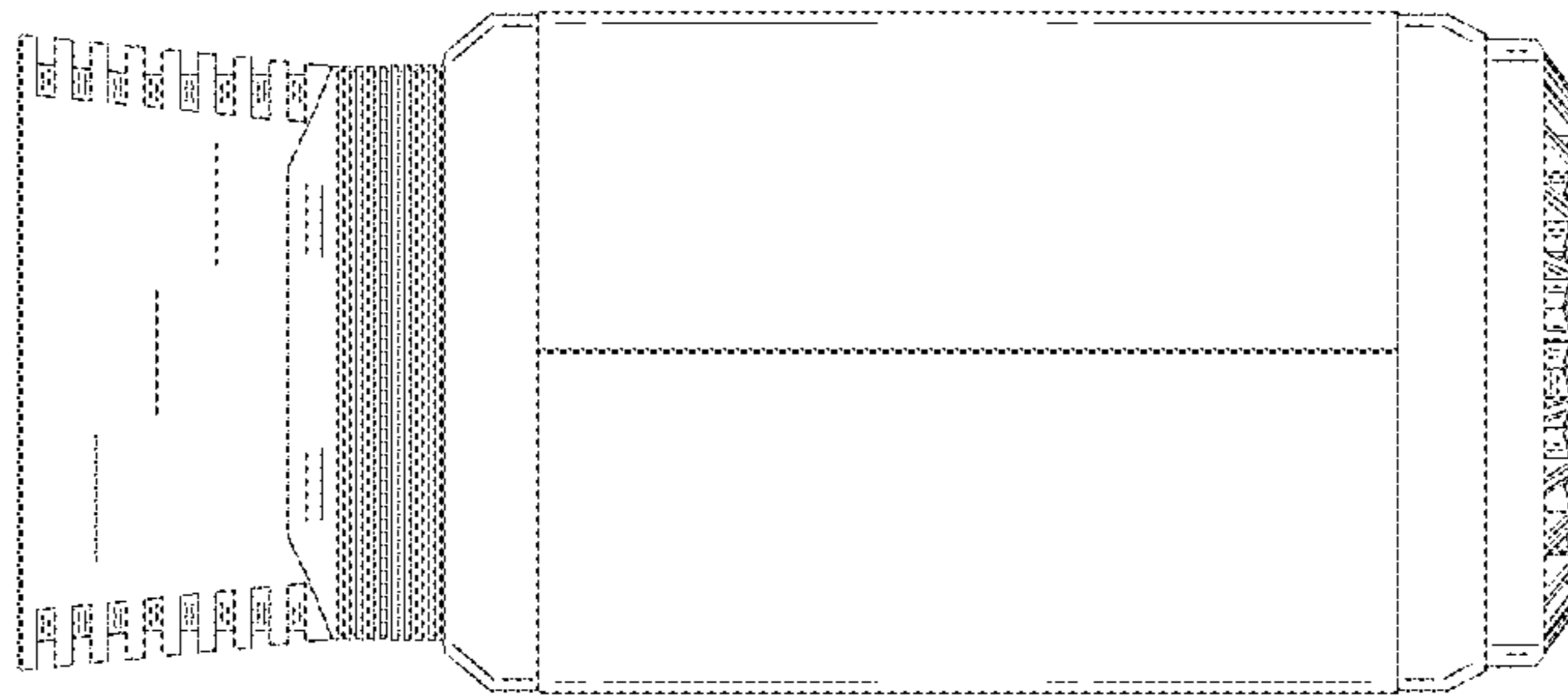


FIG. 5

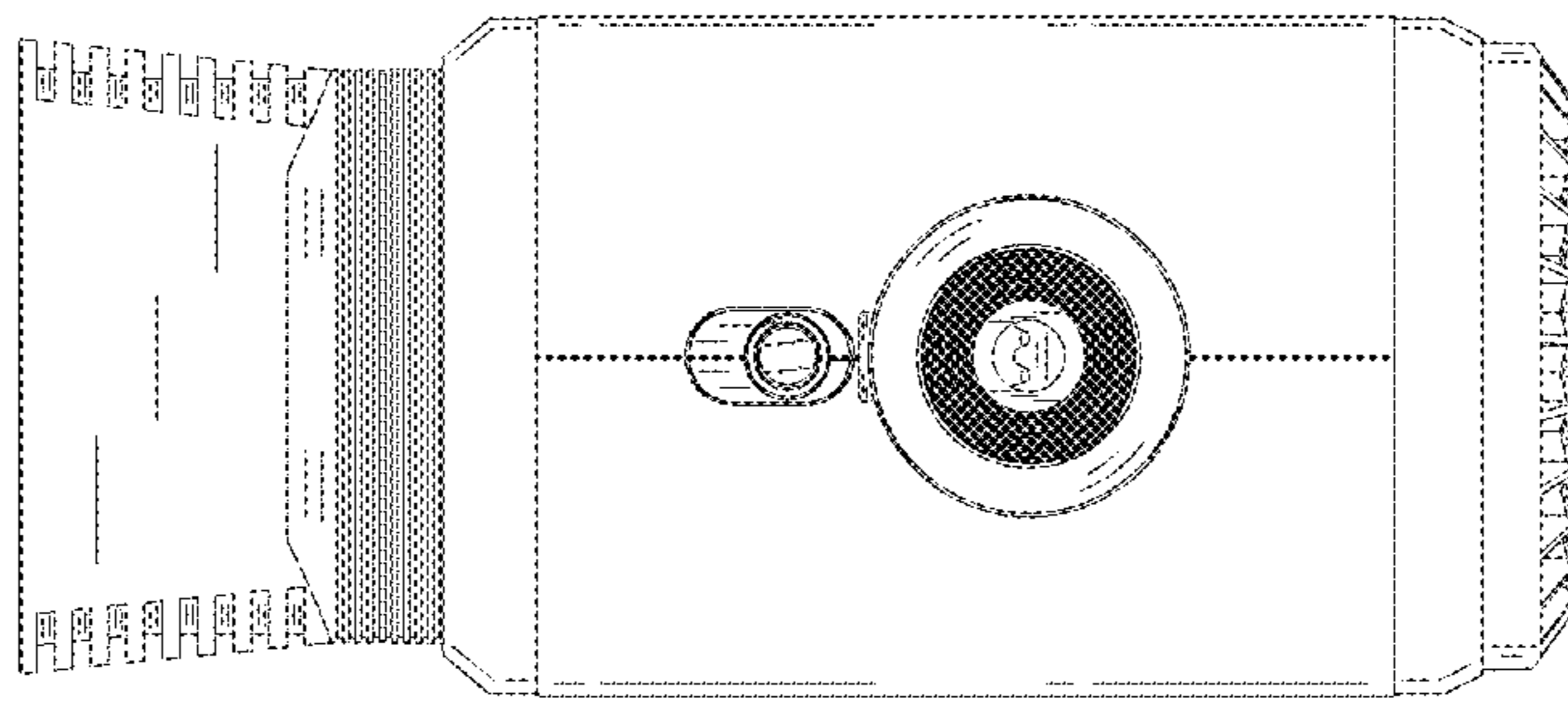


FIG. 6

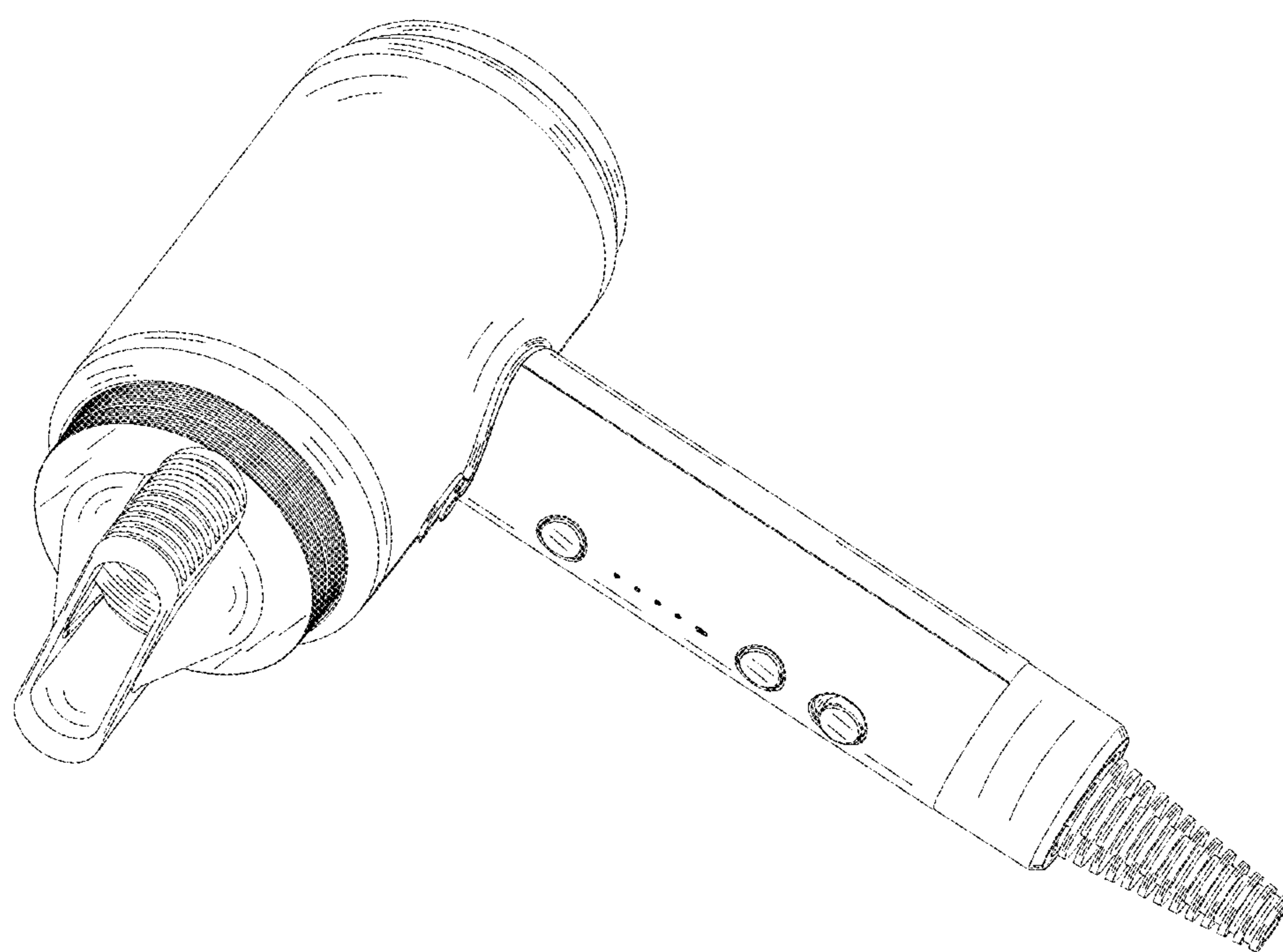


FIG. 7



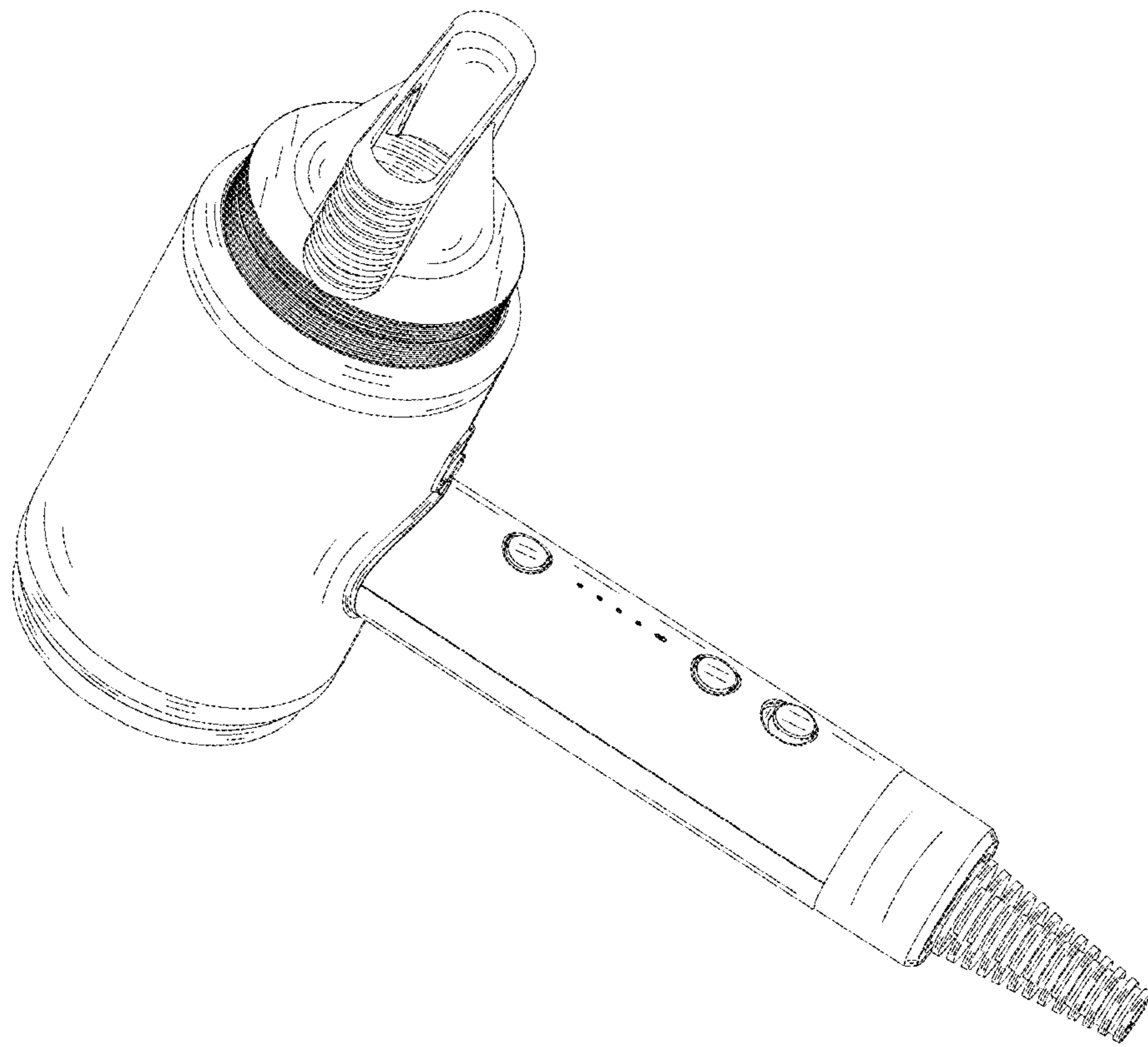


FIG. 8

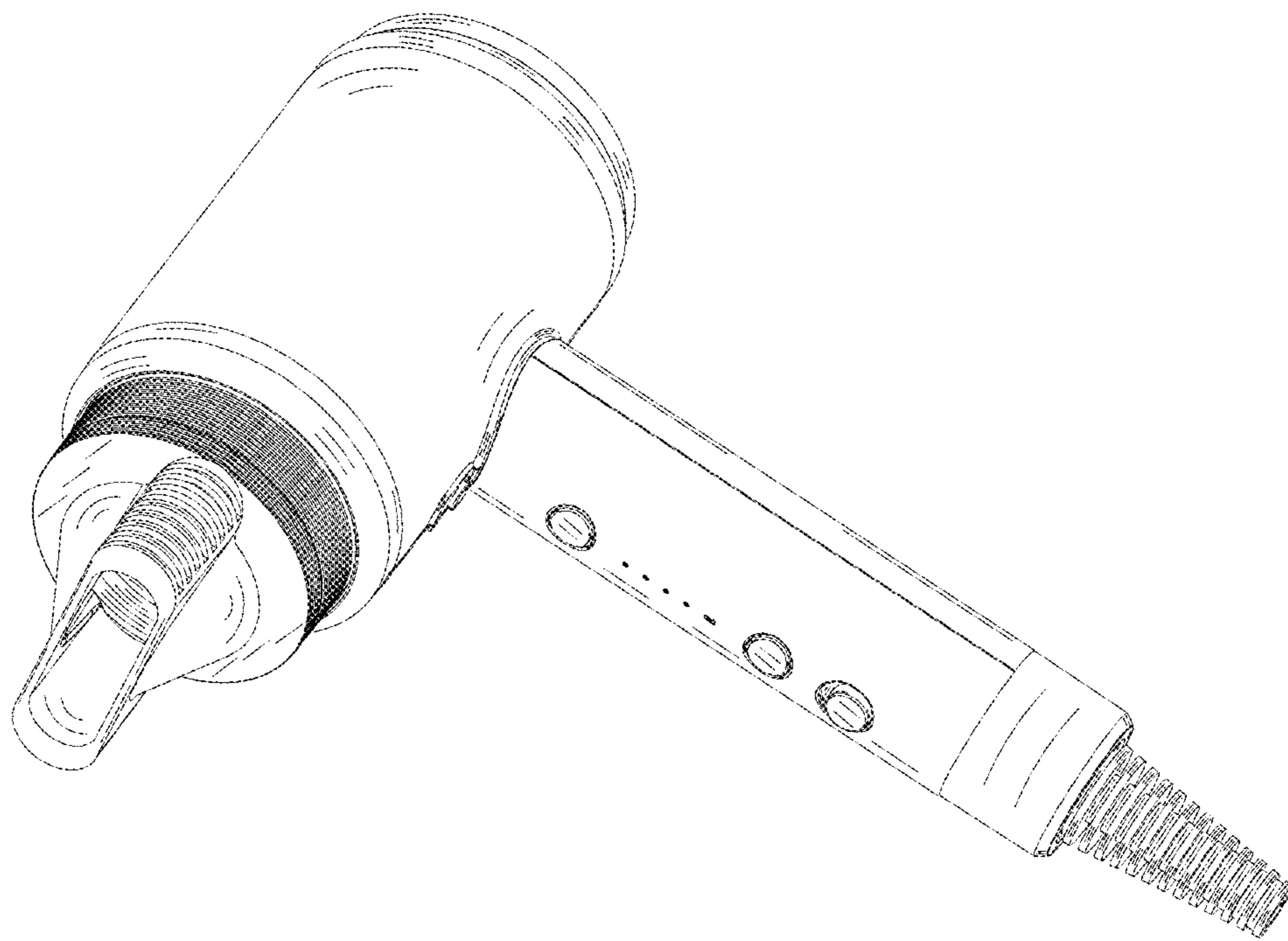


FIG. 9

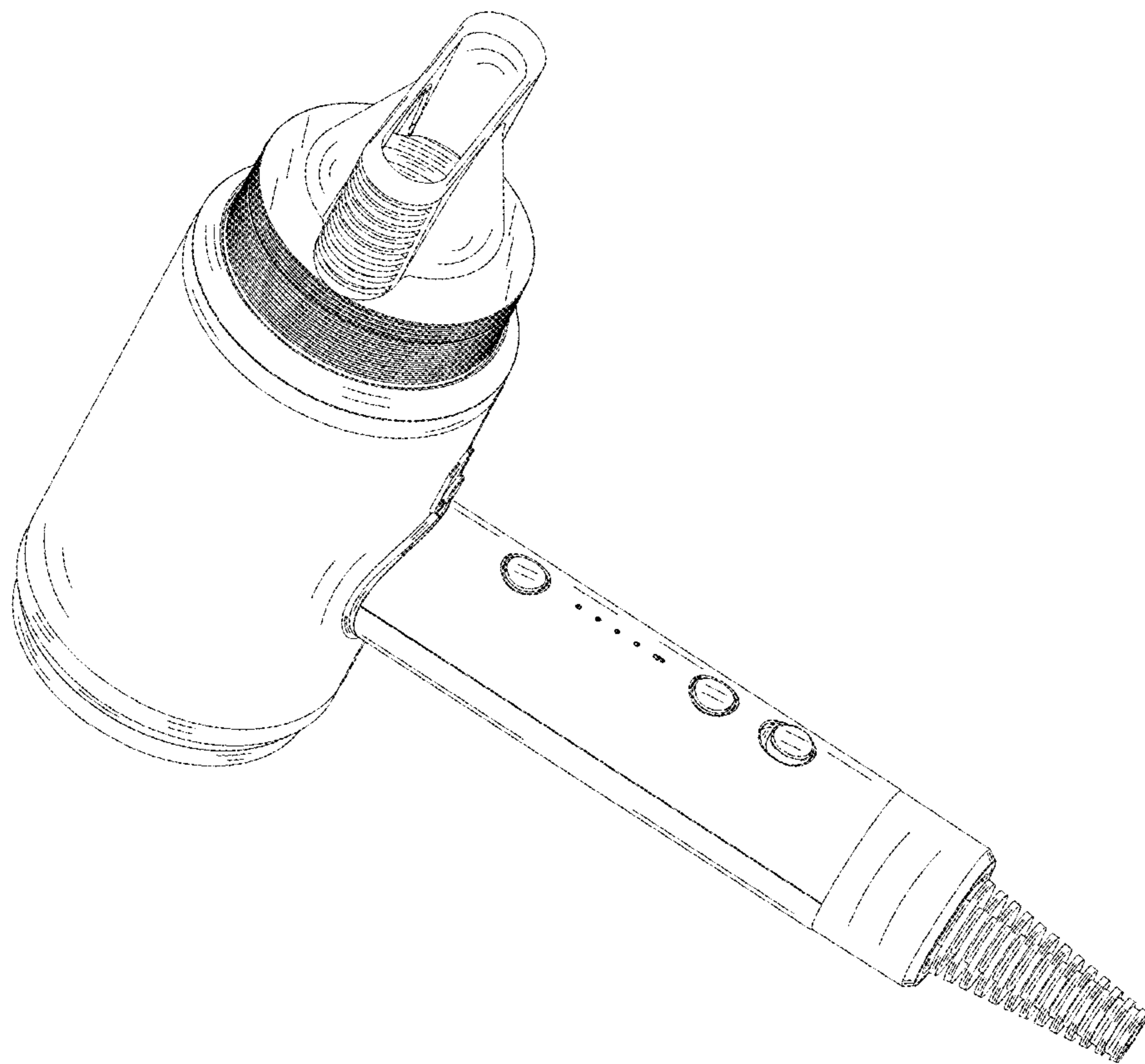


FIG. 10