



US00D903192S

(12) **United States Design Patent** (10) **Patent No.:** **US D903,192 S**  
**Chang et al.** (45) **Date of Patent:** **\*\* Nov. 24, 2020**

(54) **VAPORIZER ACCESSORY**

FOREIGN PATENT DOCUMENTS

(71) Applicant: **JUUL Labs, Inc.**, San Francisco, CA (US)

CN 202890462 U 4/2013  
CN 204466899 U 7/2015

(Continued)

(72) Inventors: **Wei-Ling Chang**, San Francisco, CA (US); **Kevin Lomeli**, San Francisco, CA (US); **Bryan White**, Pleasanton, CA (US)

OTHER PUBLICATIONS

“Checking Your Browser before Accessing www.bulkofficesupply.com.” Discount Office Supplies, Office Paper Products Legal Supplies, www.bulkofficesupply.com/Products/Baumgartens-Single-Hole-Trap-Door-Pencil-Sharpener-with-Eraser\_BAU19550.aspx, retrieved Mar. 17, 2019.

(73) Assignee: **JUUL Labs, Inc.**, San Francisco, CA (US)

(Continued)

(\*\*) Term: **15 Years**

(21) Appl. No.: **29/681,020**

*Primary Examiner* — Marissa J Cash

(22) Filed: **Feb. 21, 2019**

*Assistant Examiner* — Rebecca Tsehaye

(51) **LOC (12) Cl.** ..... **27-02**

(74) *Attorney, Agent, or Firm* — Mintz Levin Cohn Ferris Glovsky and Popeo, P.C.

(52) **U.S. Cl.**

USPC ..... **D27/162**

(58) **Field of Classification Search**

USPC ..... D27/162, 100, 101, 163–165, 172, D27/174–176, 183, 185–194; D24/110, D24/110.5; D23/366; 128/202.21, 128/203.12; 131/273, 274, 270, 191, 328, 131/329, 330, 360–365

CPC .... A24F 47/002; A24F 47/006; A24F 47/008; A61M 15/00; A61M 15/06

See application file for complete search history.

(57) **CLAIM**

The ornamental design for a vaporizer accessory, as shown and described.

**DESCRIPTION**

FIG. 1 is a top, front, and right side perspective view of a vaporizer accessory of our design; FIG. 2 is a bottom, rear, and left perspective view thereof; FIG. 3 is a top, front, and left perspective view thereof; FIG. 4 is a bottom, rear, and right perspective view thereof; FIG. 5 is a front view thereof; FIG. 6 is a rear view thereof; FIG. 7 is a left side view thereof; FIG. 8 is a right side view thereof; FIG. 9 is a top view thereof; and, FIG. 10 is a bottom view thereof.

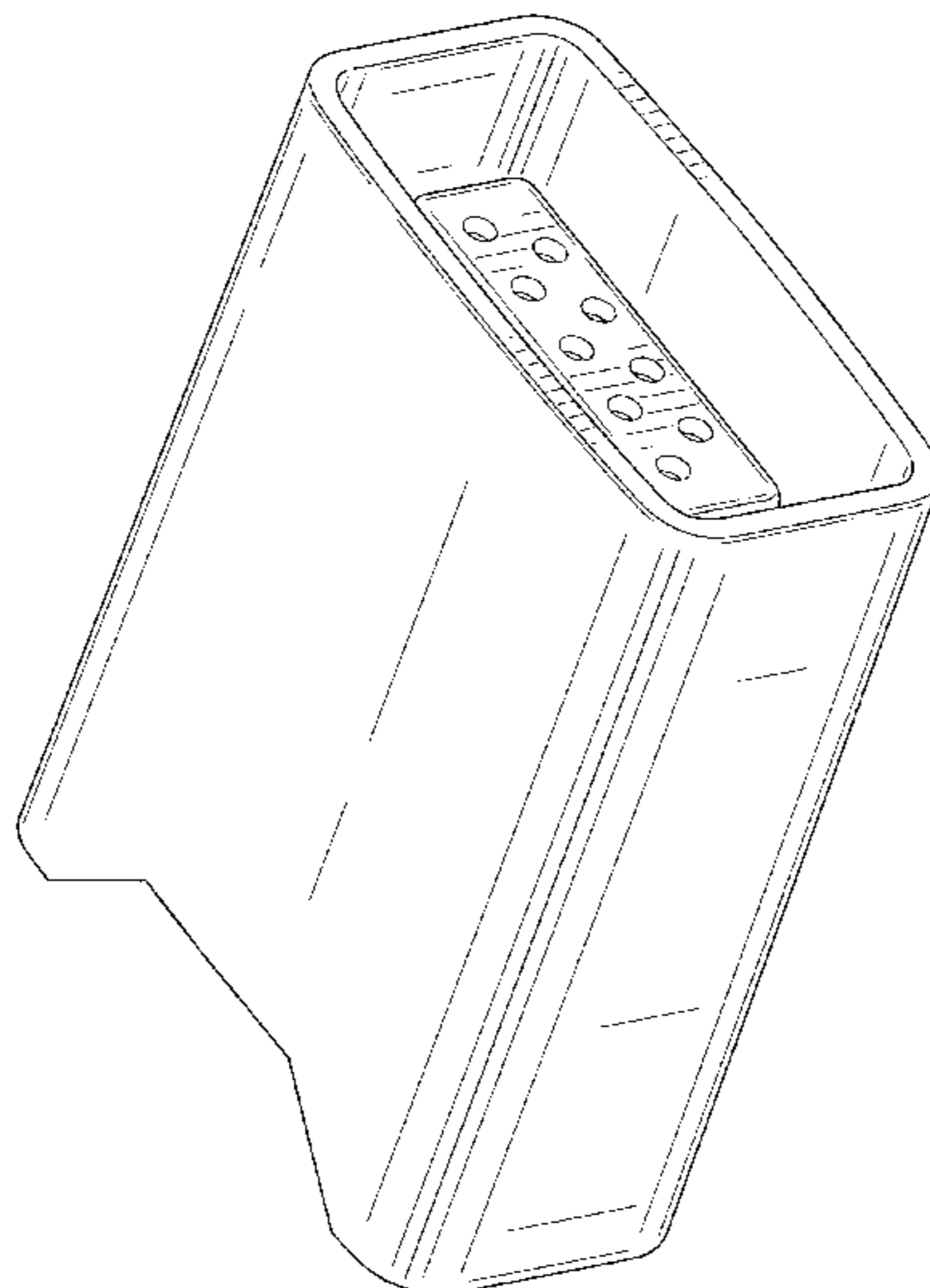
(56) **References Cited**

U.S. PATENT DOCUMENTS

595,070 A 12/1897 Oldenbusch  
3,723,048 A 3/1973 Russell  
5,479,948 A 1/1996 Counts et al.  
7,000,775 B2 2/2006 Gelardi et al.  
D520,182 S \* 5/2006 Bray ..... D27/189  
D532,927 S 11/2006 Sann  
D571,556 S 6/2008 Raile  
7,644,823 B2 1/2010 Gelardi et al.  
D645,817 S 9/2011 Sasada et al.

(Continued)

**1 Claim, 9 Drawing Sheets**



(56)

References Cited

U.S. PATENT DOCUMENTS

D654,160 S \* 2/2012 Yomtov ..... D23/360  
 8,522,776 B2 9/2013 Wright et al.  
 D708,727 S \* 7/2014 Postma ..... D23/360  
 D712,091 S \* 8/2014 Liu ..... D27/186  
 D735,936 S \* 8/2015 Liu ..... D27/189  
 D748,325 S \* 1/2016 Leidel ..... D27/163  
 D750,321 S \* 2/2016 Chen ..... D27/194  
 D771,308 S \* 11/2016 Saydar ..... A61M 15/00  
 D776,340 S \* 1/2017 Seibel ..... D27/189  
 9,723,877 B2 8/2017 Wong et al.  
 D806,311 S 12/2017 Smith  
 10,045,568 B2 8/2018 Monsees et al.  
 D829,371 S 9/2018 Durand  
 D836,831 S 12/2018 Cividi  
 D842,536 S 3/2019 Bowen et al.  
 D844,235 S 3/2019 Cividi  
 D855,880 S \* 8/2019 Sarsurluoglu ..... D27/186  
 D861,975 S 10/2019 Bowen et al.  
 D868,367 S \* 11/2019 Franzone ..... D27/167  
 2005/0016533 A1 1/2005 Schuler et al.  
 2007/0229025 A1 10/2007 Tsai et al.  
 2015/0034104 A1 2/2015 Zhou  
 2015/0128976 A1 5/2015 Verleur et al.  
 2015/0208729 A1 7/2015 Monsees et al.  
 2016/0166564 A1 6/2016 Myers et al.  
 2016/0167846 A1 6/2016 Zahr et al.  
 2016/0174611 A1 6/2016 Monsees et al.  
 2016/0278436 A1 9/2016 Verleur et al.  
 2016/0360789 A1 12/2016 Hawes et al.  
 2016/0366947 A1 12/2016 Monsees et al.  
 2016/0374399 A1 12/2016 Monsees et al.  
 2017/0231282 A1 8/2017 Bowen et al.  
 2017/0233114 A1 8/2017 Christensen et al.  
 2020/0022418 A1 1/2020 Belisle et al.

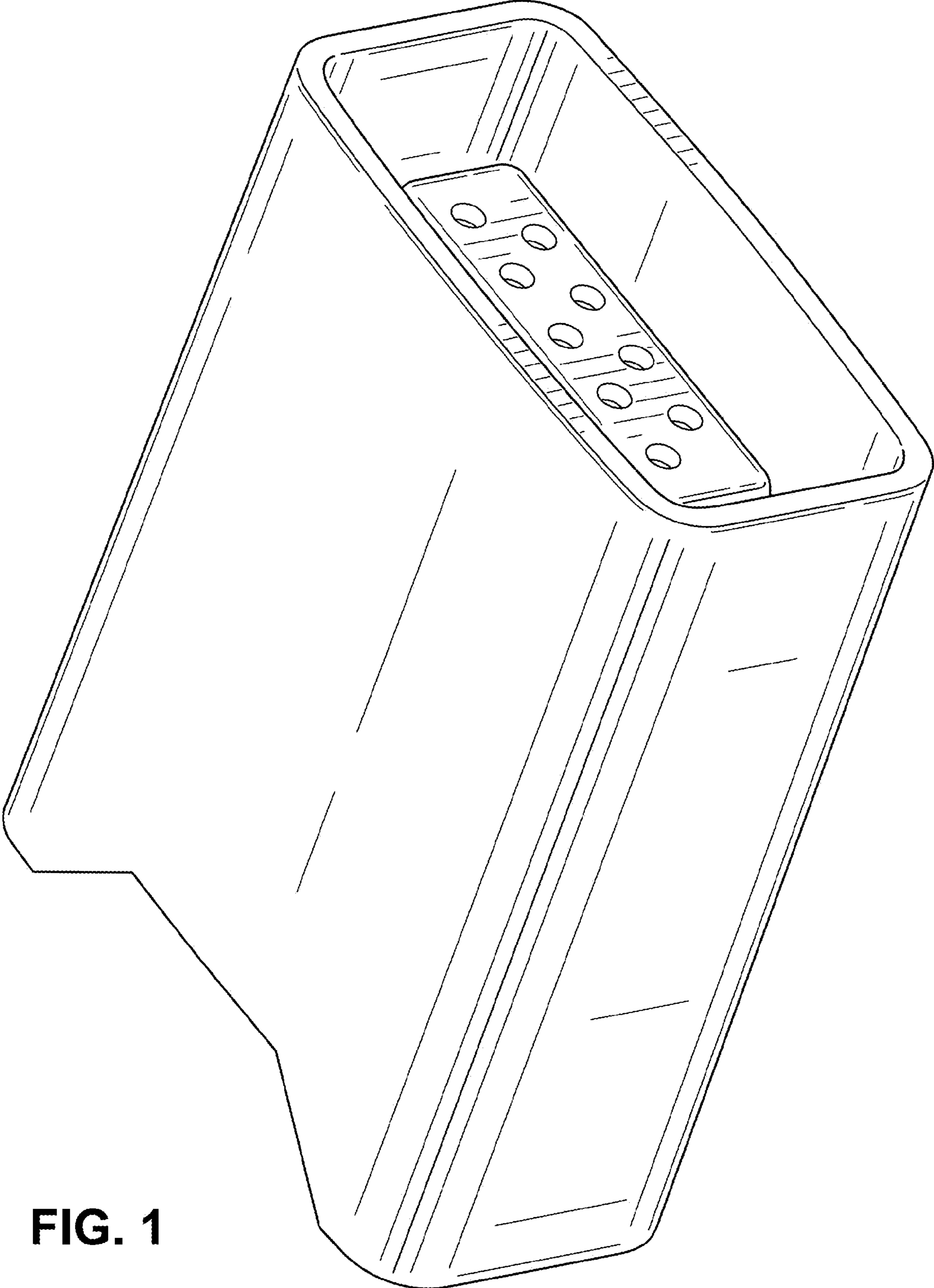
FOREIGN PATENT DOCUMENTS

CN 205390306 U 7/2016  
 WO WO-2015073564 A1 5/2015  
 WO WO-2017102633 A1 6/2017  
 WO WO-2017143865 A1 8/2017

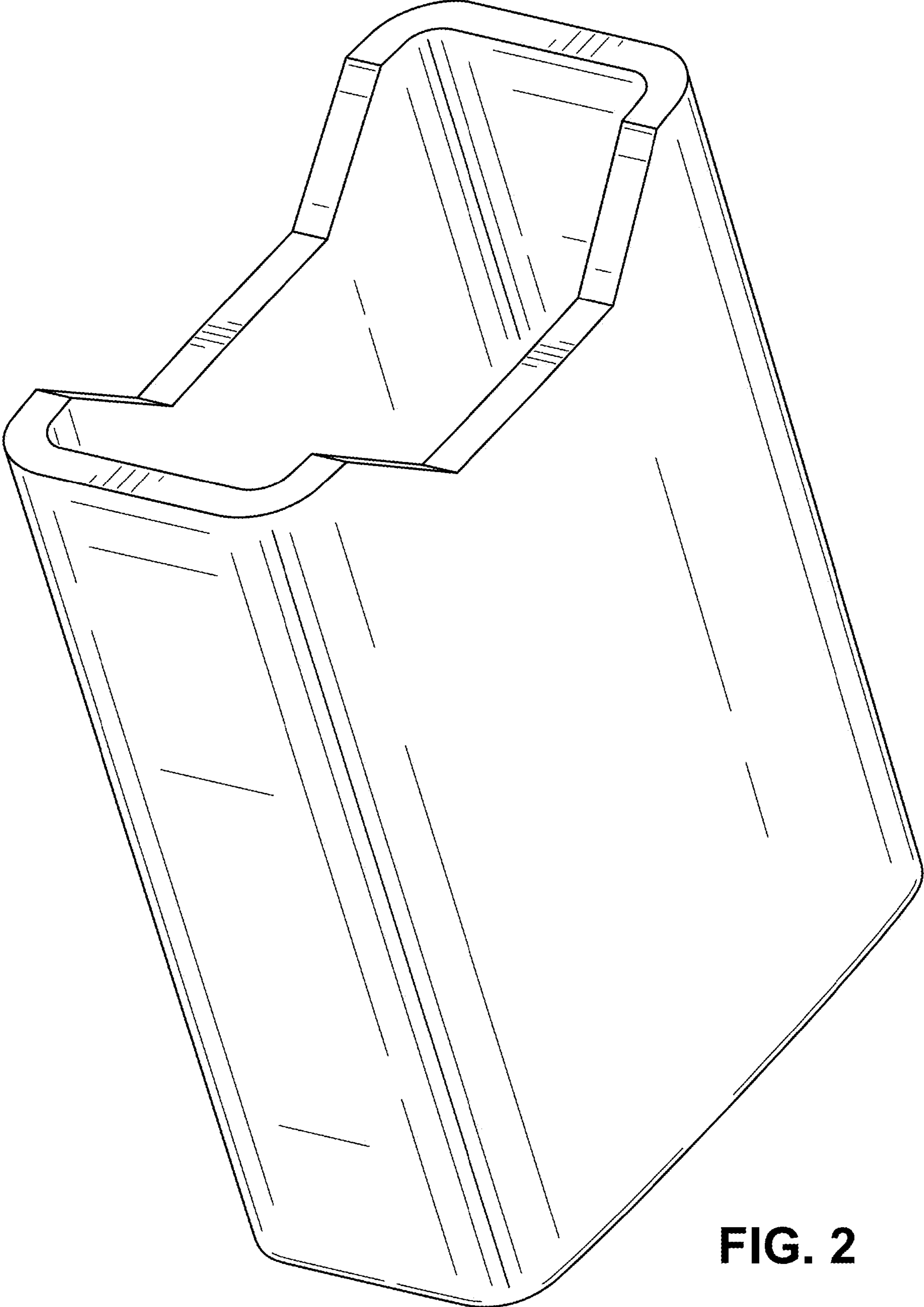
OTHER PUBLICATIONS

Breland, Alison, et al. "Electronic cigarettes: what are they and what do they do?." *Annals of the New York Academy of Sciences* 1394.1 (2017): 5-30.  
 Electronic Vaporization Device with Cartridge | JUUL Pod | JUUL Vapor, Posted Jun. 3, 2015, Juulvapor.com, retrieved Nov. 24, 2015, <https://www.juulvapor.com/shopjuul/>.  
 Ijoy. "Who we are." Ijoy Diamond PD270 Kit, Date Accessed Feb. 20, 2018. [www.ijoycig.com/product/item-473.html](http://www.ijoycig.com/product/item-473.html).  
 iWand Rectangular Pen Shape Design Flat Short Mouth Holder 1.0ML Tank Atomizer LED Display 800mAh Rechargeable E—Cigarette Set—Colorful, [https://www.gearbest.com/electronic-cigarettes/pp\\_15466.html](https://www.gearbest.com/electronic-cigarettes/pp_15466.html), accessed Jan. 25, 2019.  
 Joye eGo-Tank System XXL 1000mAh Starter Kit, <https://www.myvaporstore.com/eGo-Tank-System-XXL-1000mAh-Starter-Kit-p/ego-t-xxlkit.htm>.  
 Modello iWand, [https://www.youtube.com/watch?v=\\_brQOLDqHX0](https://www.youtube.com/watch?v=_brQOLDqHX0), Youtube, Dec. 28, 2012.  
 PAX Labs, Inc.; JUUL product information ©2016; retrieved from <https://www.juulvapor.com/shop-juul/>; 6 pgs.; retrieved Mar. 9, 2016.  
 Pierce, D. *This Might Just Be the First Great E-Cig*. {online} Wired, Published on Apr. 21, 2015. Available at: [https://www.wired.com/2015/04/pax-juul-ecig/?mbid=social\\_twitter](https://www.wired.com/2015/04/pax-juul-ecig/?mbid=social_twitter).  
 Rose Plastic. Rose Plastic: Innovations in Plastic Packaging, [www.rose-plastic.us/2030.0.html?&L=4p?id=2337id=2345iel25%world-wide%unique%plastic%packaging%with%remarkable%diversity](http://www.rose-plastic.us/2030.0.html?&L=4p?id=2337id=2345iel25%world-wide%unique%plastic%packaging%with%remarkable%diversity), retrieved Mar. 17, 2019.  
 The Verge. Startup behind the Lambo of vaporizers jt launched an intelligent e-cigarette. [online], published on Apr. 21, 2015. Available at: <https://www.theverge.com/2015/4/21/8458629/pax-labs-e-cigarette-juul>.

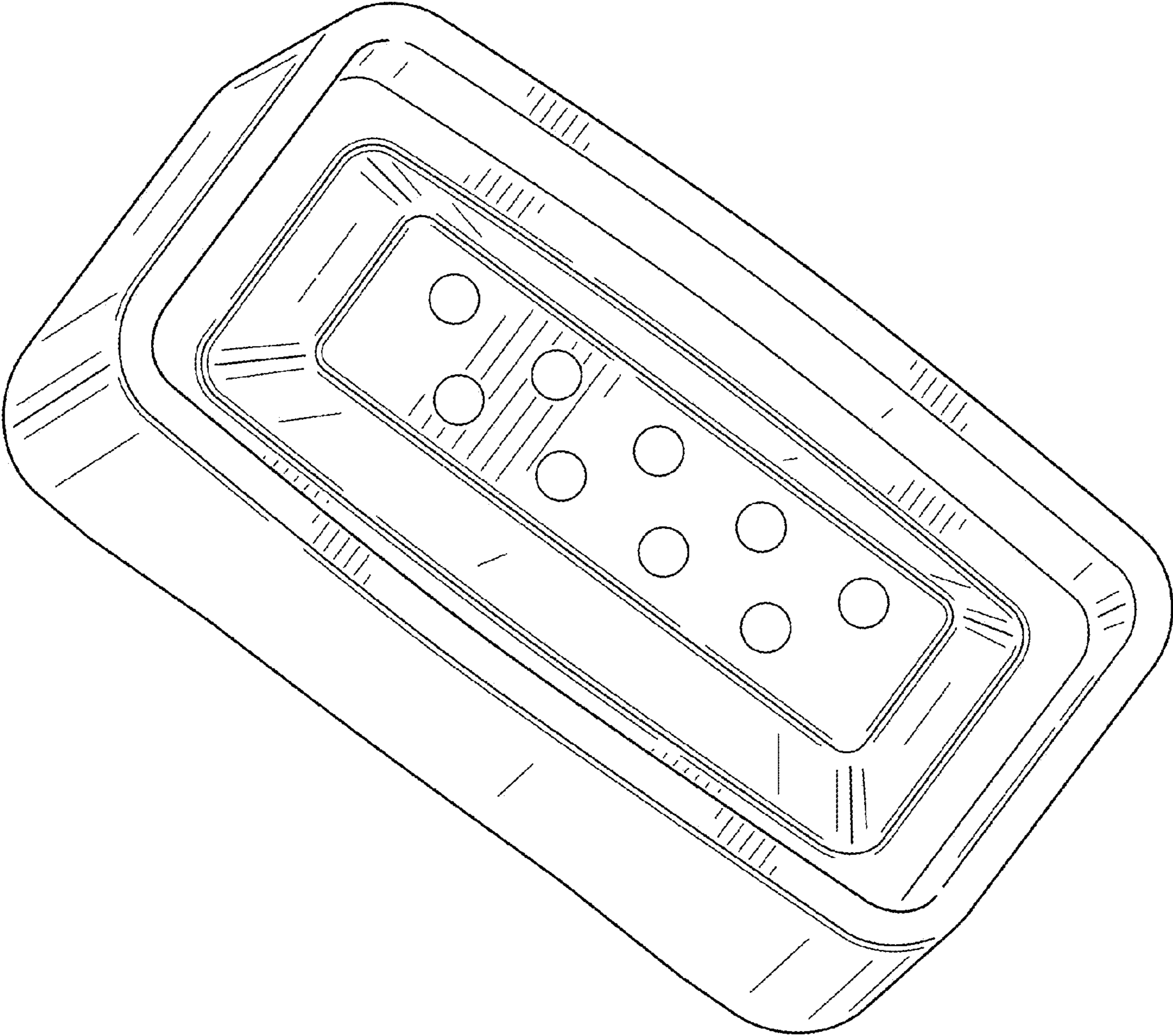
\* cited by examiner



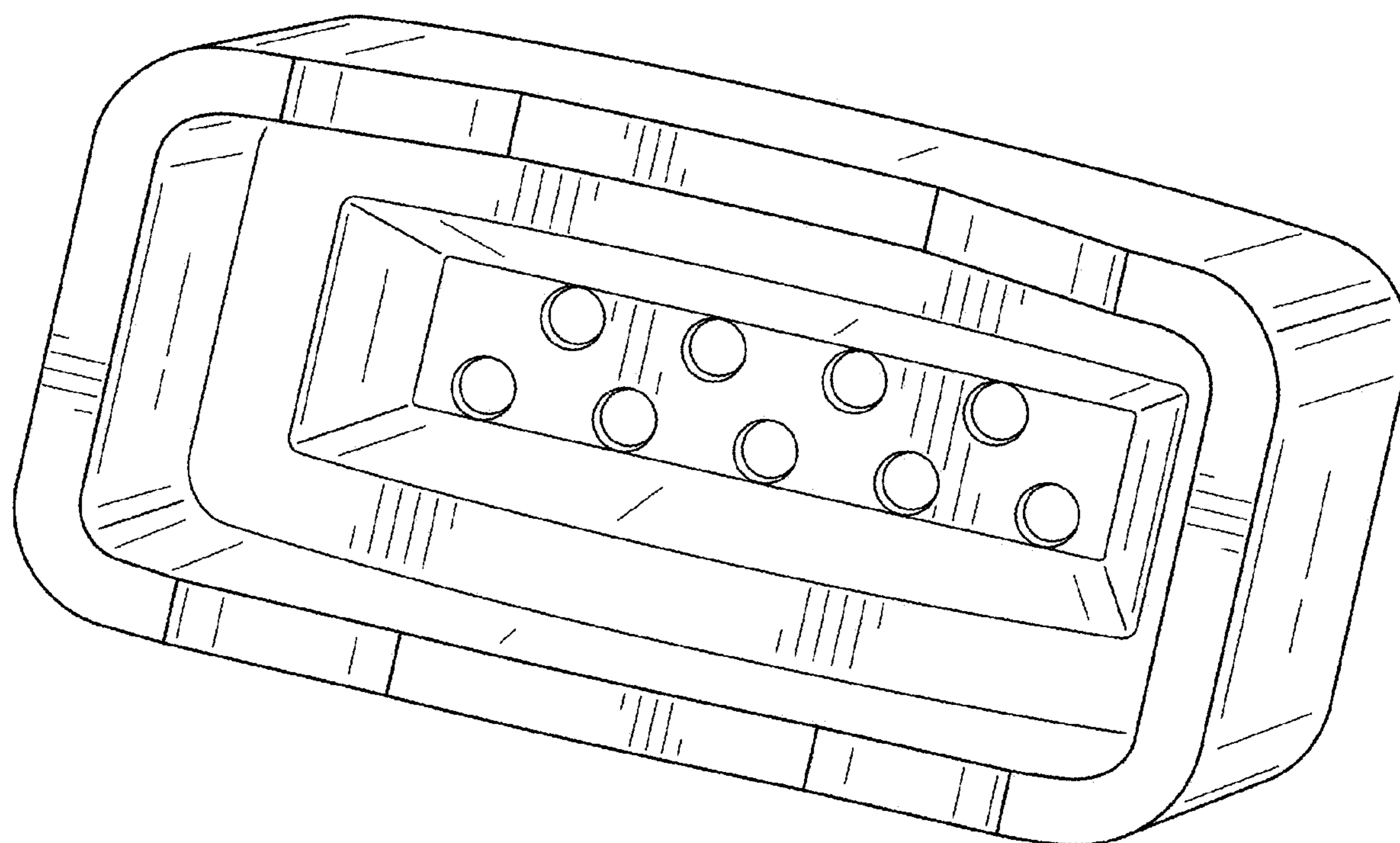
**FIG. 1**



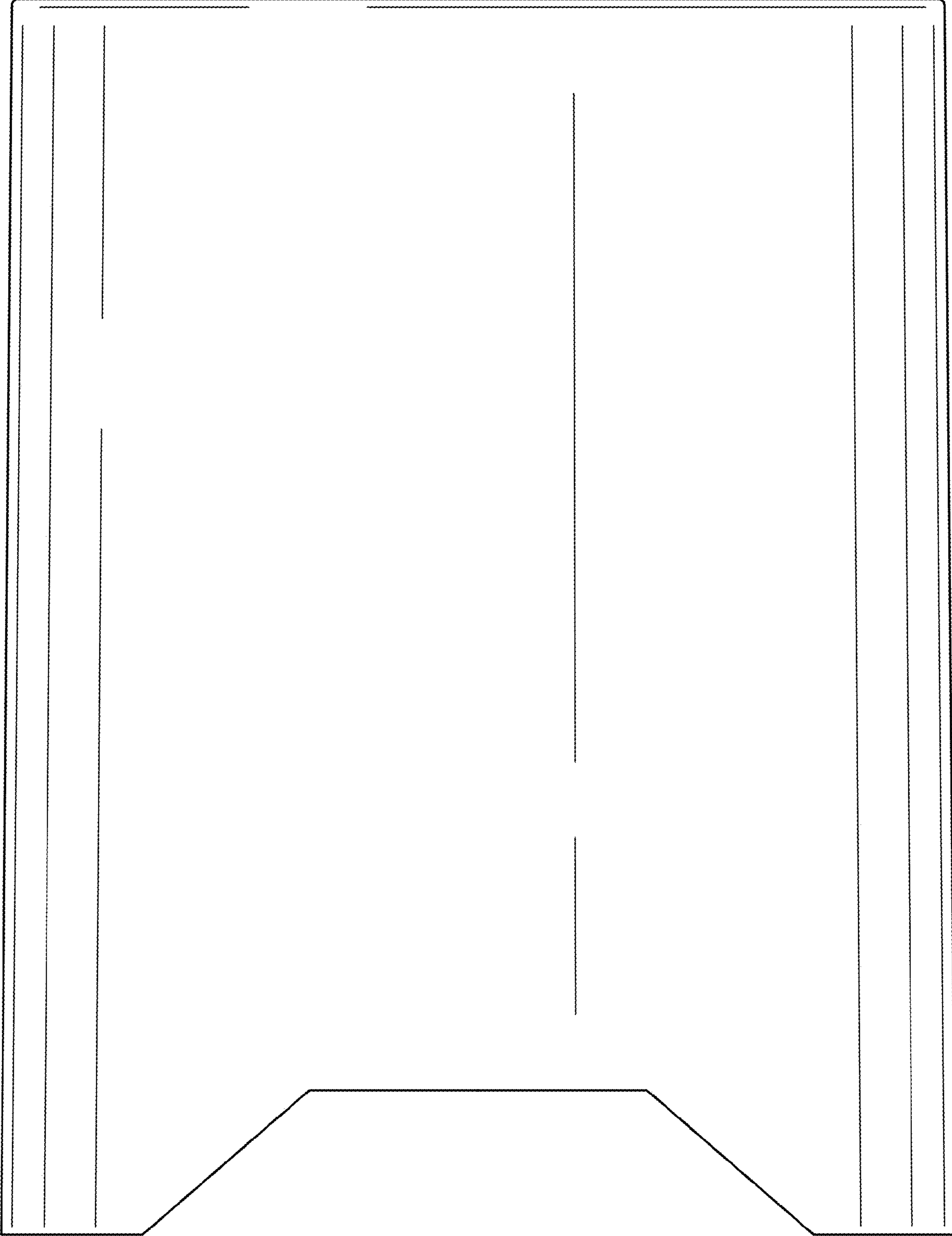
**FIG. 2**



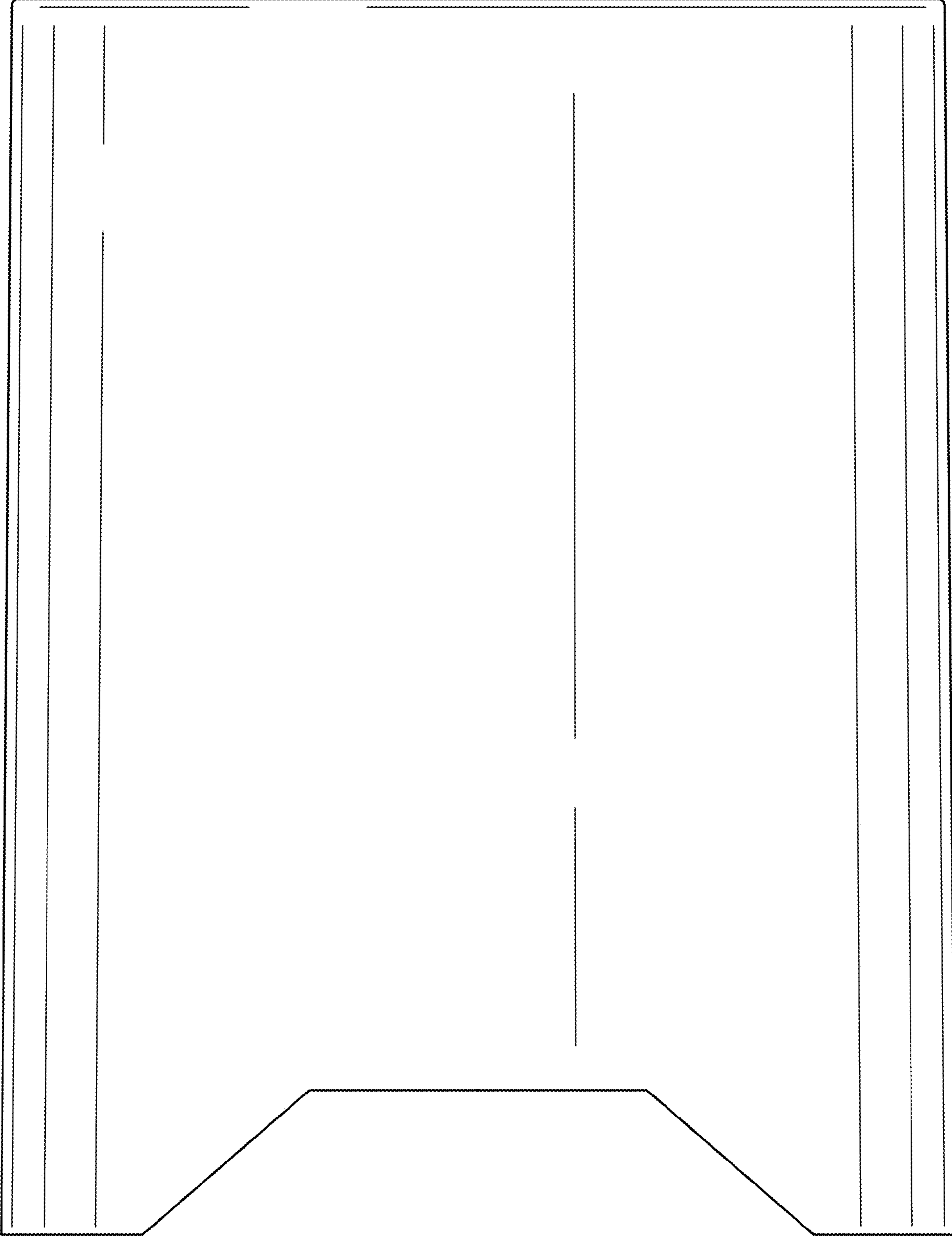
**FIG. 3**



**FIG. 4**

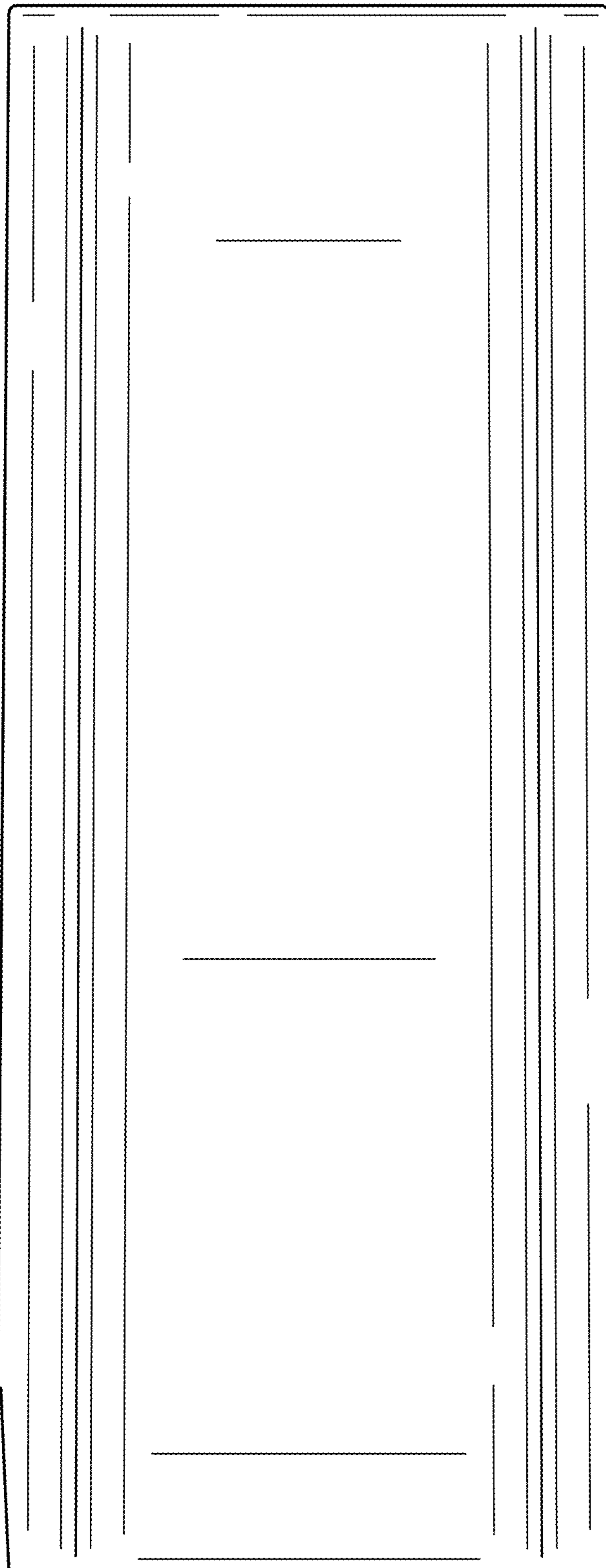


**FIG. 5**

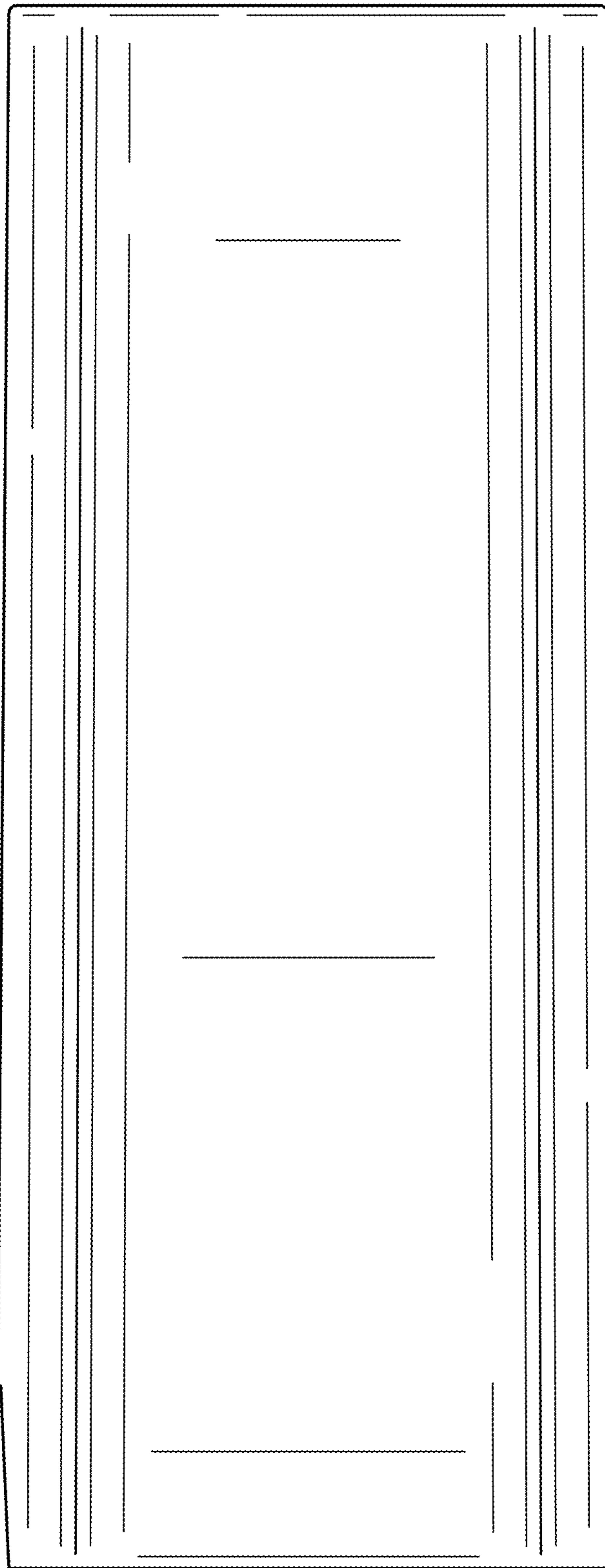


**FIG. 6**

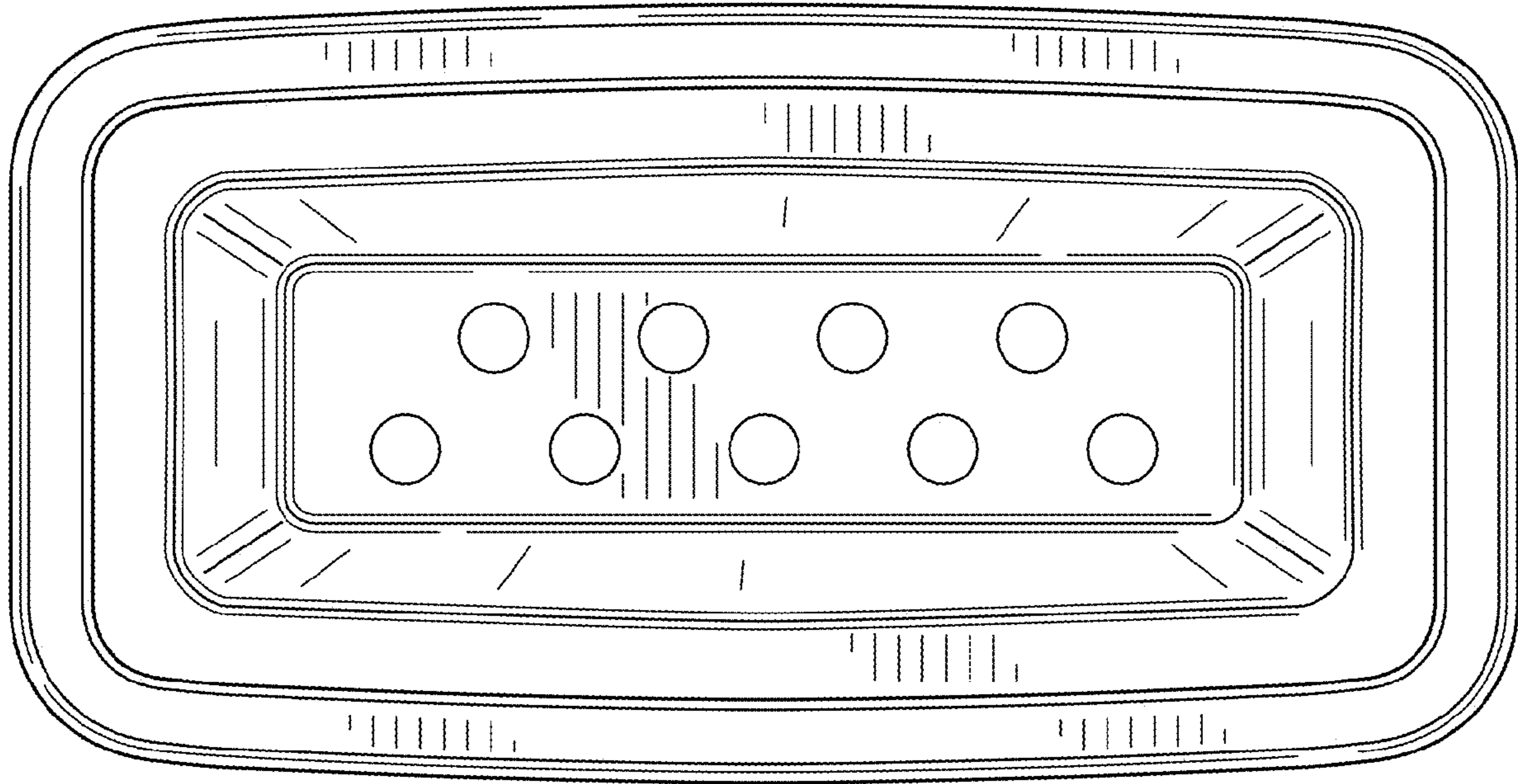




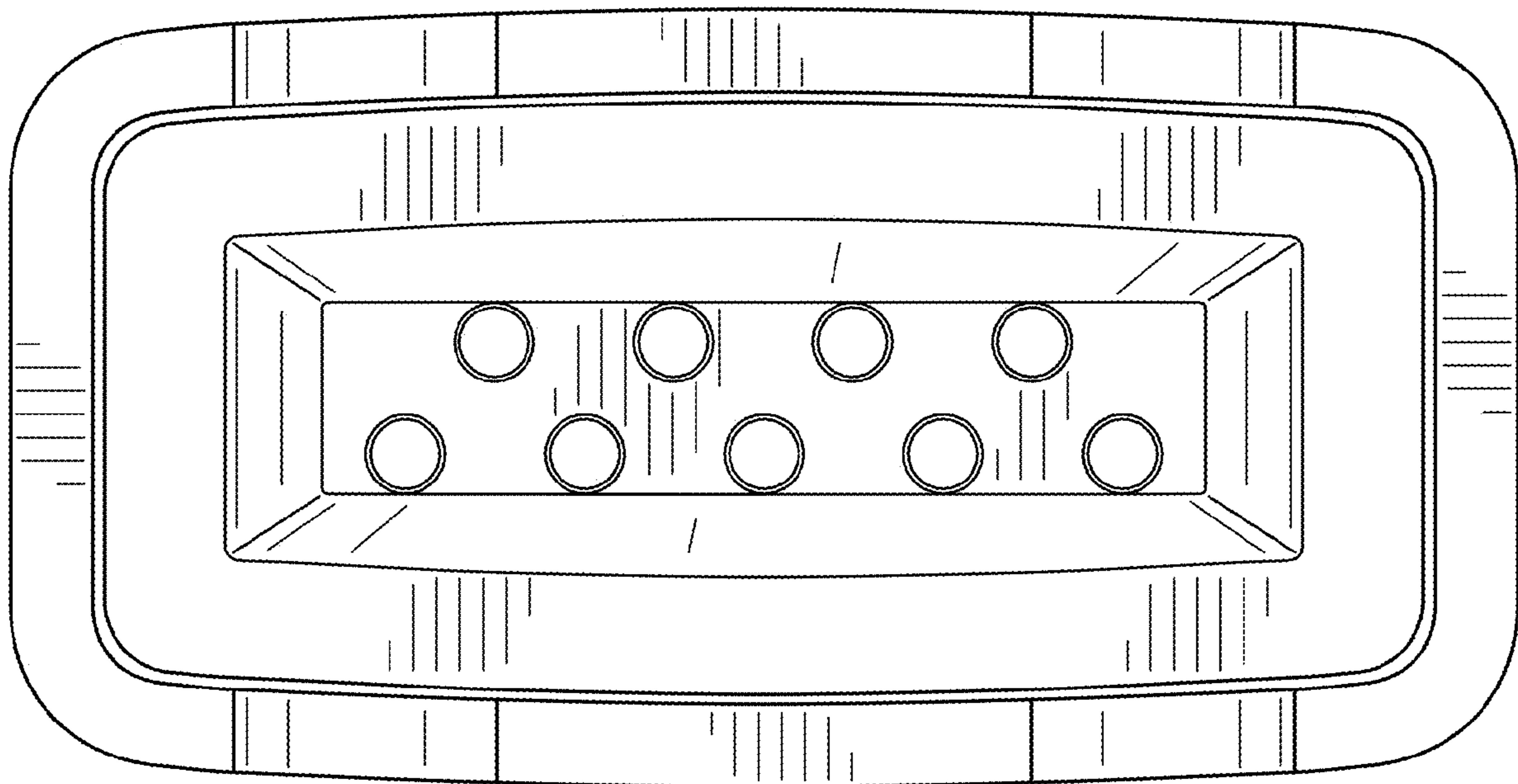
**FIG. 7**



**FIG. 8**



**FIG. 9**



**FIG. 10**