



US00D903190S

(12) **United States Design Patent**
Schuyler

(10) **Patent No.:** **US D903,190 S**

(45) **Date of Patent:** **** Nov. 24, 2020**

(54) **LIGHTING FIXTURE**

(71) Applicant: **SWAROVSKI LIGHTING, LTD.**,
Plattsburgh, NY (US)

(72) Inventor: **Andrew Schuyler**, Colchester, NY (US)

(73) Assignee: **SWAROVSKI LIGHTING, LTD.**,
Plattsburgh, NY (US)

(**) Term: **15 Years**

(21) Appl. No.: **35/507,220**

(22) Filed: **Dec. 20, 2018**

(80) **Hague Agreement Data**

Int. Filing Date: **Dec. 20, 2018**

Int. Reg. No.: **DM/202196**

Int. Reg. Date: **Dec. 20, 2018**

Int. Reg. Pub. Date: **Aug. 9, 2019**

(51) **LOC (12) Cl.** **26-05**

(52) **U.S. Cl.**
USPC **D26/144**

(58) **Field of Classification Search**
USPC D26/24, 25, 70, 72, 81, 82, 85, 86, 87,
D26/88, 91, 102, 110, 112, 133, 144, 149
CPC F21S 4/15; F21S 6/00; F21S 6/002; F21S
8/04; F21S 8/043; F21S 8/046; F21S 8/06
See application file for complete search history.

(56) **References Cited**

U.S. PATENT DOCUMENTS

D100,590 S	*	7/1936	Wangersheim	D26/144
D134,482 S	*	12/1942	Ganger	D26/81
D172,688 S	*	7/1954	Ruskin	D26/81
D202,997 S	*	11/1965	Heifetz	D26/144
D355,268 S	*	2/1995	Openiano	D26/25
D440,348 S	*	4/2001	Tai	D26/144

D461,918 S	*	8/2002	Tsai	D11/120
D518,226 S	*	3/2006	Schuyler	D26/138
D541,970 S	*	5/2007	Blackman	D26/81
D550,586 S	*	9/2007	Tsai	D11/117
D579,146 S	*	10/2008	Tramble	D26/144
D683,884 S	*	6/2013	Kim	D26/84
D719,698 S	*	12/2014	Mollaghaffari	D26/81
D727,556 S	*	4/2015	Arslan	D26/113
D792,633 S	*	7/2017	Sonneman	D26/90
D849,303 S	*	5/2019	Hendifar	D26/83
D855,863 S	*	8/2019	Sonneman	D26/84
D865,265 S	*	10/2019	Lovegrove	D26/86

OTHER PUBLICATIONS

Screenshot: Nest Chandelier. Dated Nov. 28, 2017; one page. Found online Jul. 23, 2020 at <https://www.youtube.com/watch?v=IHSivFAY2gg> (Year: 2017).*

(Continued)

Primary Examiner — Robert M. Spear
(74) *Attorney, Agent, or Firm* — Heslin Rothenberg
Farley & Mesiti P.C.

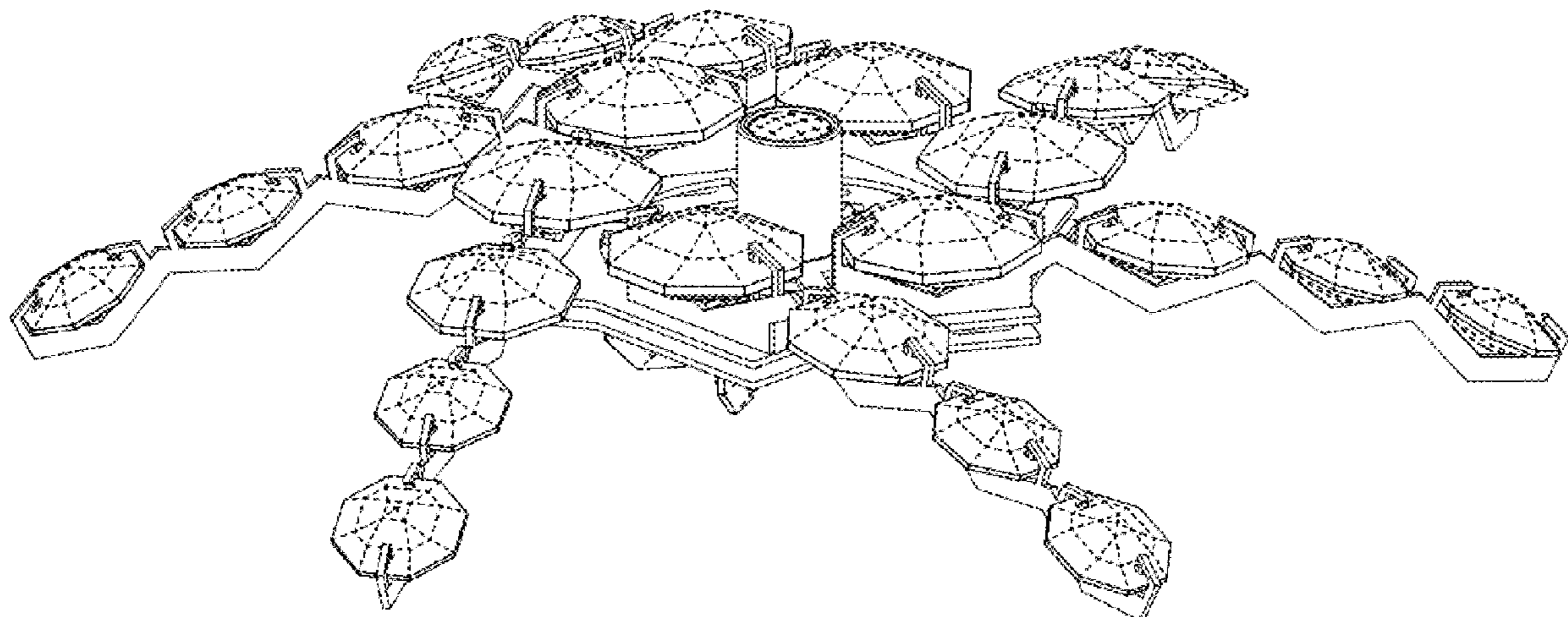
(57) **CLAIM**

The ornamental design for lighting fixture, as shown and described.

DESCRIPTION

5. Lighting fixture
FIG. 5.1 is a perspective view of a lighting fixture according to the new design;
FIG. 5.2 is a front elevational view thereof;
FIG. 5.3 is a rear elevational view thereof;
FIG. 5.4 is a top view thereof;
FIG. 5.5 is a bottom view thereof;
FIG. 5.6 is a left side elevational view thereof; and
FIG. 5.7 is a right side elevational view thereof.
The broken lines designate portions of the parts of the lighting fixture which form no part of the claimed design.

1 Claim, 7 Drawing Sheets



(56)

References Cited

OTHER PUBLICATIONS

Screenshot: Mia Crystal Flush Mount, Antique Bronze. Undated; one page. Found online Jul. 23, 2020 at <https://www.potterybarn.com/> . . . (see paper copy for complete url) (Year: 2020).*

Two screenshots: Vintage Style Gold/Silver Light Fixture with Dome Shape and Clear Crystal Decoration 3 Lights Metal Flush Ceiling Light. Undated; one page. Found online Jul. 23, 2020 at <https://m.susuohome.com/> . . . (see paper copy for complete url) (Year: 2020).*

Schonbek Chantant Six-Light Flush Mount Light, Model No. CH3601, image available online at: https://www.lampsplus.com/products/schonbek-chantant-33-inch-wide-crystal-ceiling-light_5w404.html, (Wayback Verification Crawl presence date Sep. 11, 2015), 4 pages, at least as early as Sep. 11, 2015.

Sarella—Schonbek, Swarovski Lighting, Model No. RS8343, image available online on Feb. 12, 2019 at: <http://ws.swarovski-lighting.com/ws/web/coredatasheetstreamer.html?corepart=RS8343®ion=1>, (Wayback Verification Crawl presence date Jul. 2, 2017), 4 pages, at least as early as Jul. 2, 2017.

Sarella—Schonbek, Swarovski Lighting, Model No. RS8340, image available online at: <https://secure.img1-fg.wfcdn.com/docresources/9088/731739923.pdf>, (Wayback Verification Crawl presence date Jul. 2, 2017), 4 pages, at least as early as Jul. 2, 2017.

Sarella—Schonbek, Swarovski Lighting, Model No. RS8346, image available online at: <https://secure.img1-fg.wfcdn.com/docresources/0/142/1424786.pdf>, (Wayback Verification Crawl presence date Apr. 5, 2018), 4 pages, at least as early as Apr. 5, 2018.

Refrax—Schonbek, Model No. RE3214, image available online at: https://media.lightingnewyork.com/vendors/sch/specsheet/RE4821_spec_sheel.pdf, (Wayback Verification Crawl presence date Jul. 9, 2017), 2 pages, at least as early as Jul. 9, 2017.

Schonbek Catalog, Orion Strass Schondalier, p. 52, 1 page, 1977.

Schuyler, Andrew et al., U.S. Appl. No. 35/001,617 entitled “Lighting Fixture” filed Dec. 17, 2018, 114 pages.

* cited by examiner

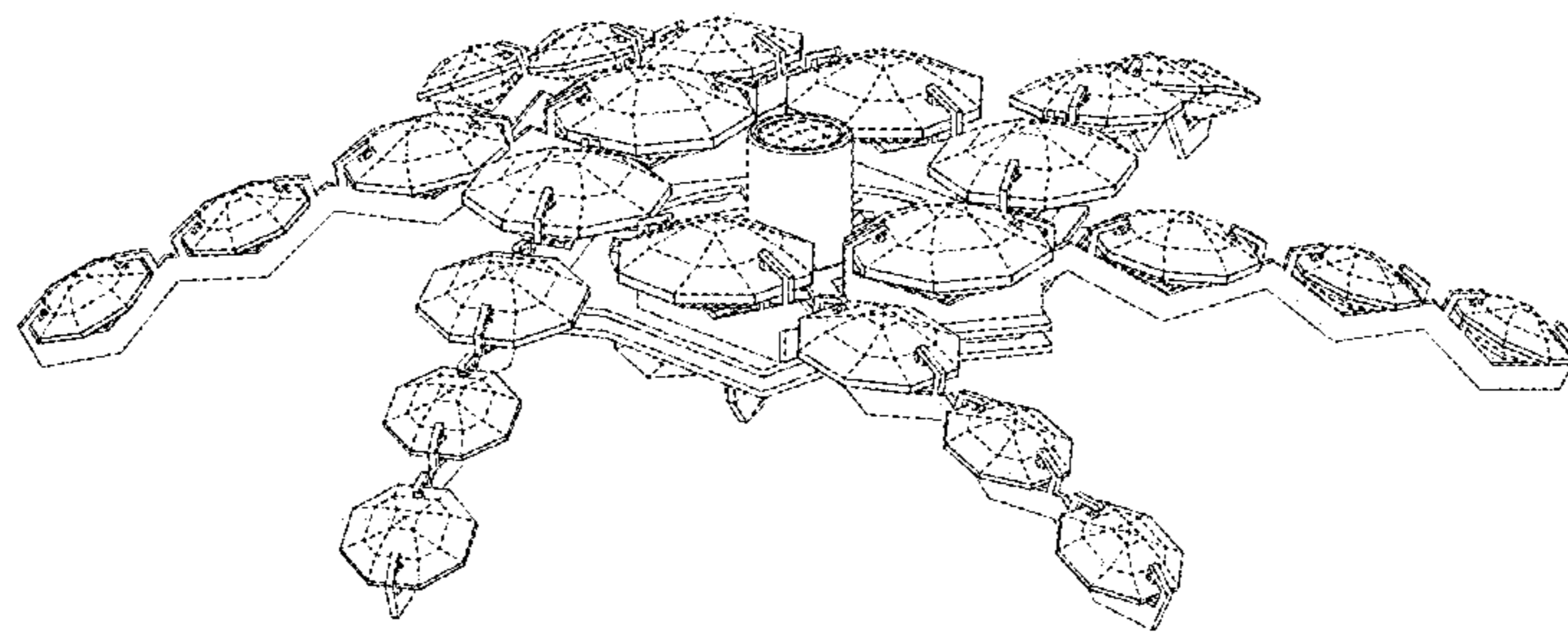


FIG. 5.1

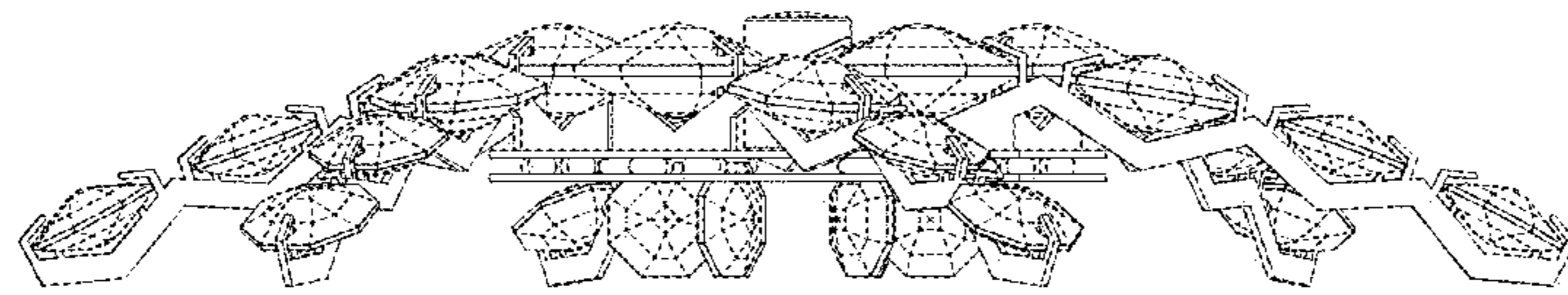


FIG. 5.2

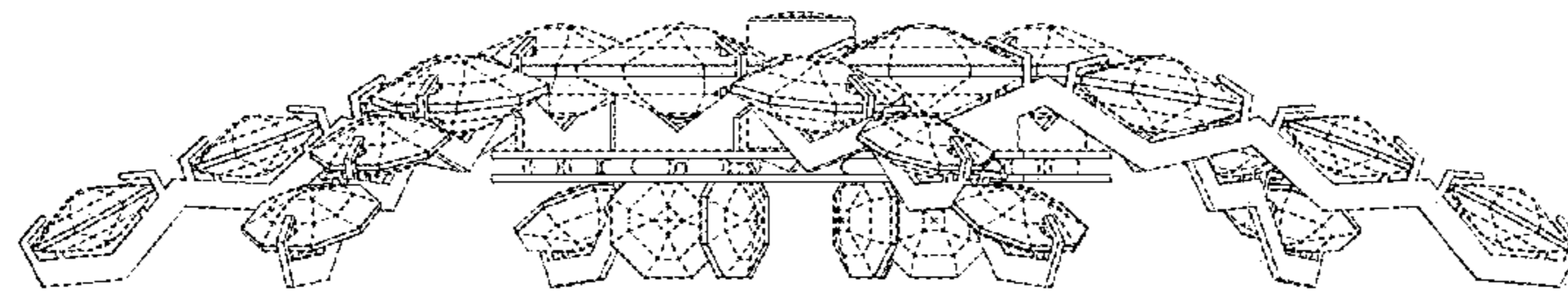


FIG. 5.3

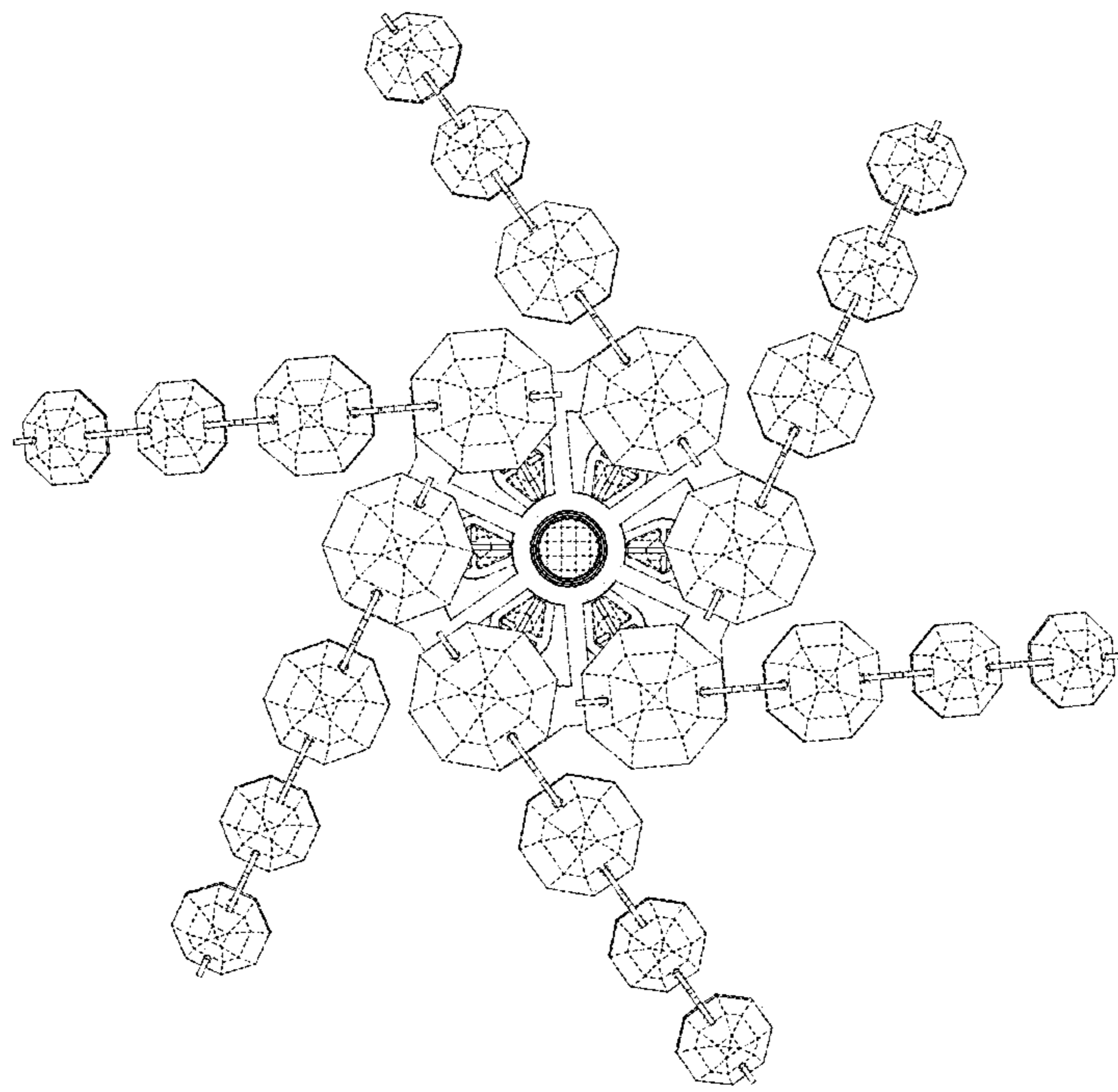


FIG. 5.4

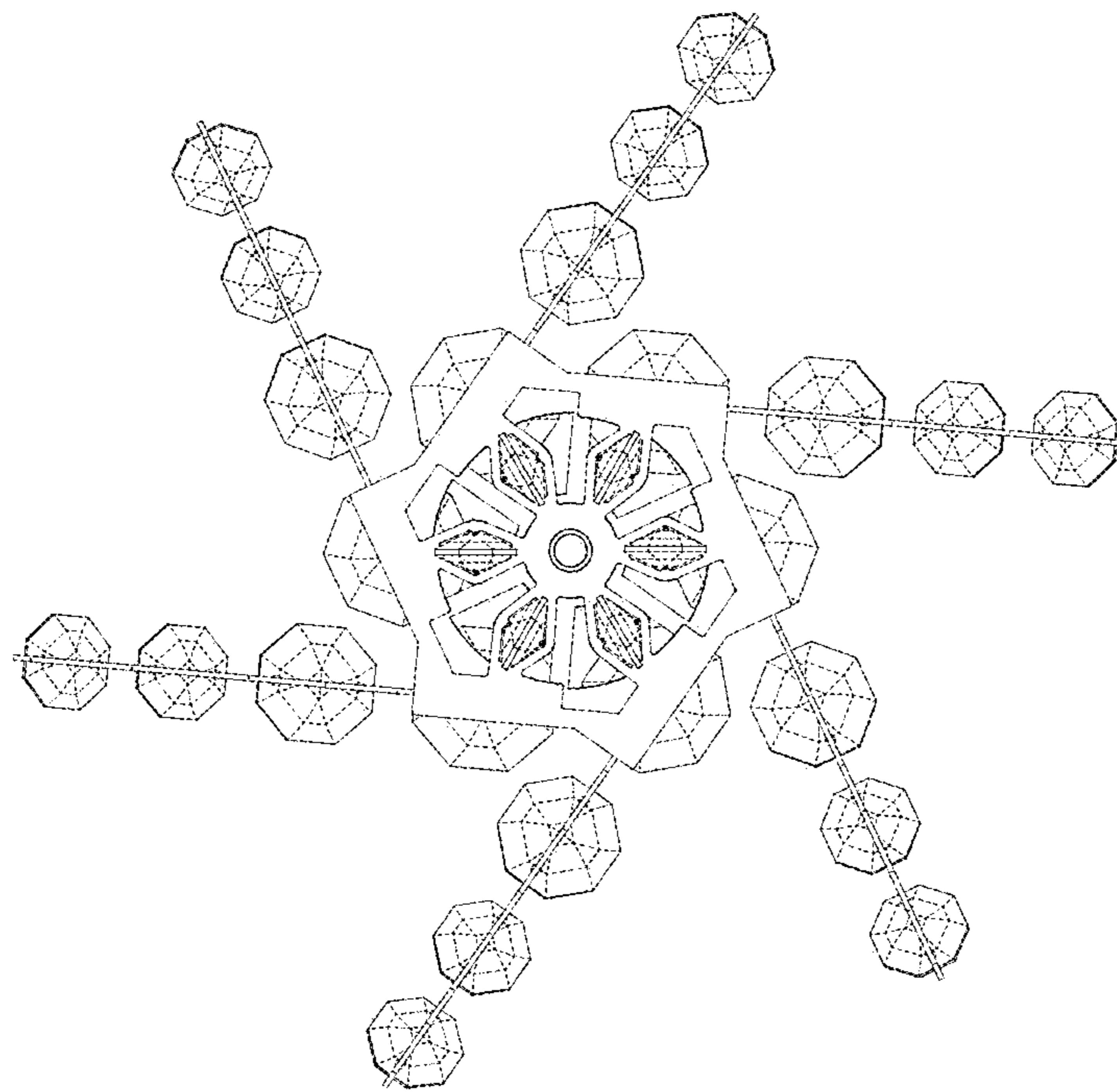


FIG. 5.5

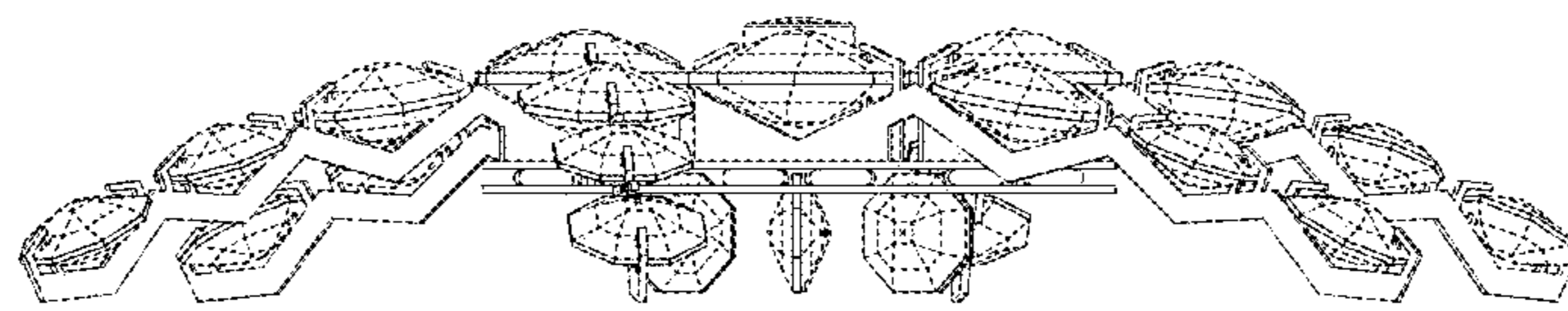


FIG. 5.6

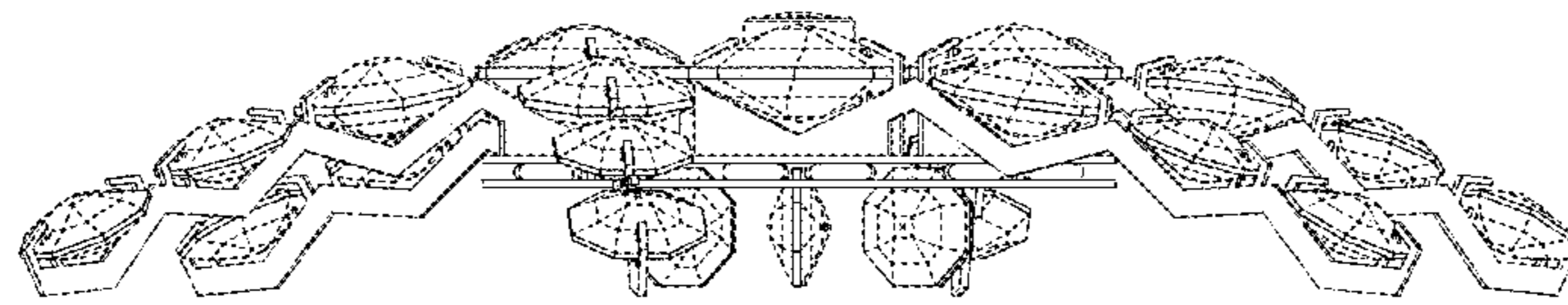


FIG. 5.7