



US00D903188S

(12) **United States Design Patent**
Kruger

(10) **Patent No.:** **US D903,188 S**

(45) **Date of Patent:** **** Nov. 24, 2020**

(54) **LIGHTING DEVICE HOLDER**

(71) Applicant: **Jamie A. Kruger**, Madison, WI (US)

(72) Inventor: **Jamie A. Kruger**, Madison, WI (US)

(**) Term: **15 Years**

(21) Appl. No.: **29/683,991**

(22) Filed: **Mar. 18, 2019**

(51) **LOC (12) Cl.** **26-05**

(52) **U.S. Cl.**
USPC **D26/138**

(58) **Field of Classification Search**

USPC D26/63, 72, 74, 76, 78-83, 85, 86, 88,
D26/90, 93, 111, 113, 118, 119, 120, 121,
D26/122, 138, 139, 140, 141, 142, 152
CPC F21S 2/00; F21S 4/00; F21S 4/003; F21S
4/005; F21S 4/006; F21S 4/007; F21S
4/008; F21S 6/00; F21S 8/00; F21S
8/024; F21S 8/026; F21S 8/031; F21S
8/033; F21S 8/035-037; F21S 8/04; F21S
8/043; F21S 8/063

See application file for complete search history.

(56) **References Cited**

U.S. PATENT DOCUMENTS

D301,304 S *	5/1989	Will	D25/119
D621,542 S *	8/2010	Klus	D26/138
D649,691 S *	11/2011	Trzesniowski	D26/138
D662,653 S *	6/2012	Hochman	D26/138
D665,123 S *	8/2012	Douglas	D26/138
D724,256 S *	3/2015	Klus	D26/141
D724,257 S *	3/2015	Klus	D26/141
D724,259 S *	3/2015	Klus	D26/141
D793,617 S *	8/2017	Trzcielinski	D26/118
D799,720 S *	10/2017	Tress	D25/119
D813,443 S *	3/2018	Matteson	D26/138
D850,707 S *	6/2019	Tremaine	D26/138
D872,931 S *	1/2020	Tremaine	D26/138

D884,259 S *	5/2020	Trzcielinski	D26/138
D891,688 S *	7/2020	Tremaine	D26/138
2020/0033093 A1 *	1/2020	Kruger	F21V 21/0808

OTHER PUBLICATIONS

Axce Wedge Lock Mounting Bracket webpage, retrieved from internet Mar. 16, 2020, <<https://store-truball.myshopify.com/collections/axcel-accessories/products/wedge-lock-mounting-bracket>>.

(Continued)

Primary Examiner — Natasha Vujcic

(74) *Attorney, Agent, or Firm* — Bishop, Diehl & Lee, Ltd.

(57) **CLAIM**

The ornamental design for the lighting device holder, as shown and described.

DESCRIPTION

FIG. 1 is a front isometric view of a lighting device holder, showing the new design;

FIG. 2 is a rear isometric view of the lighting device holder shown in FIG. 1;

FIG. 3 is a front side view of the lighting device holder as shown in FIG. 1;

FIG. 4 is a rear side view of the lighting device holder as shown in FIG. 1;

FIG. 5 is a left side view of the lighting device holder as shown in FIG. 1;

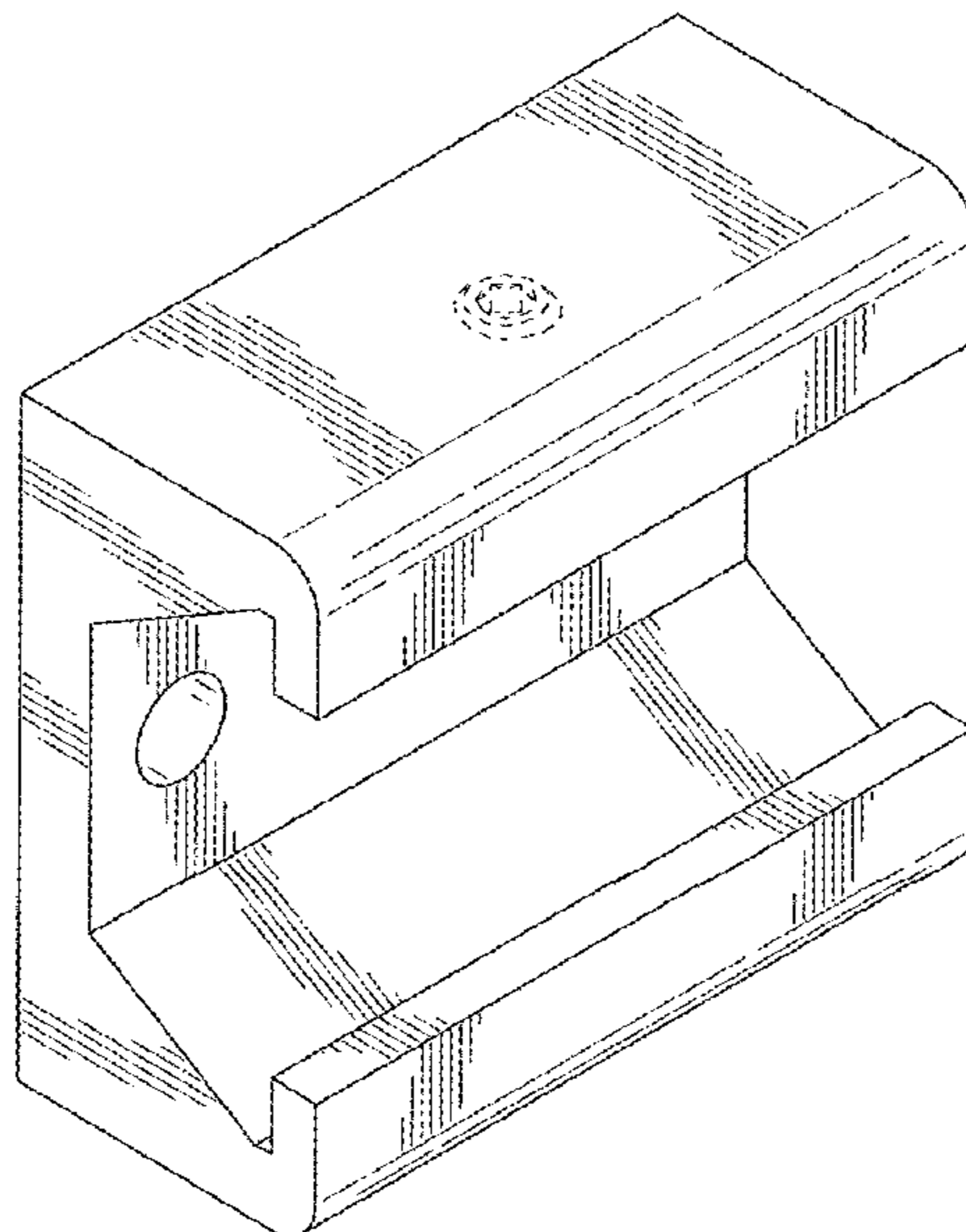
FIG. 6 is a right-side view of the lighting device holder as shown in FIG. 1;

FIG. 7 is a top view of the lighting device holder as shown in FIG. 1; and,

FIG. 8 is a bottom view of the lighting device holder as shown in FIG. 1.

The broken lines in the drawings illustrate portions of the lighting device holder, which form no part of the claimed design.

1 Claim, 6 Drawing Sheets



(56)

References Cited

OTHER PUBLICATIONS

Axcel AX Series Bow Mounting Bracket webpage, retrieved from internet Mar. 16, 2020, <<https://store-truball.myshopify.com/collections/axcel@-accessories/products/ax-series-bow-mounting-bracket-with-bow-mount-knob>>.

Sure-Loc Carbonic Target Sight webpage, retrieved from internet Mar. 16, 2020, <<https://www.lancasterarchery.com/sure-loc-carbonic-target-sight.html>>.

Screen Capture from YouTube Video clip entitled “Sure-Loc Carbonic Sight”, uploaded on Feb. 23, 2018 by Archery Talk, retrieved from internet Mar. 16, 2020, <<https://www.youtube.com/watch?v=nlrvt7N-Pwg>>.

WNS SPC-200 Target Sight webpage, retrieved from internet Mar. 16, 2020, <<https://www.lancasterarchery.com/wns-spc-200-target-sight.html>>.

Screen Capture from YouTube Video clip entitled “WNS SPC-300 Compound Sight”, uploaded on Feb. 3, 2018 by Archery Supplies, retrieved from internet Mar. 16, 2020, <<https://www.youtube.com/watch?v=wWbpQqThBVk>>.

Screen Capture from YouTube Video clip entitled “Win and Win WS600 Recurve Target Sight”, uploaded on Feb. 19, 2017 by Archery Supplies, retrieved from internet Mar. 16, 2020, <<https://www.youtube.com/watch?v=F0vKs3EImi0>>.

Shibuya Ultima CPX II 485 Carbon Target Sight webpage, retrieved from internet Mar. 16, 2020, <<https://www.lancasterarchery.com/shibuya-ultima-cpx-ii-485-carbon-target-sight.html>>.

* cited by examiner

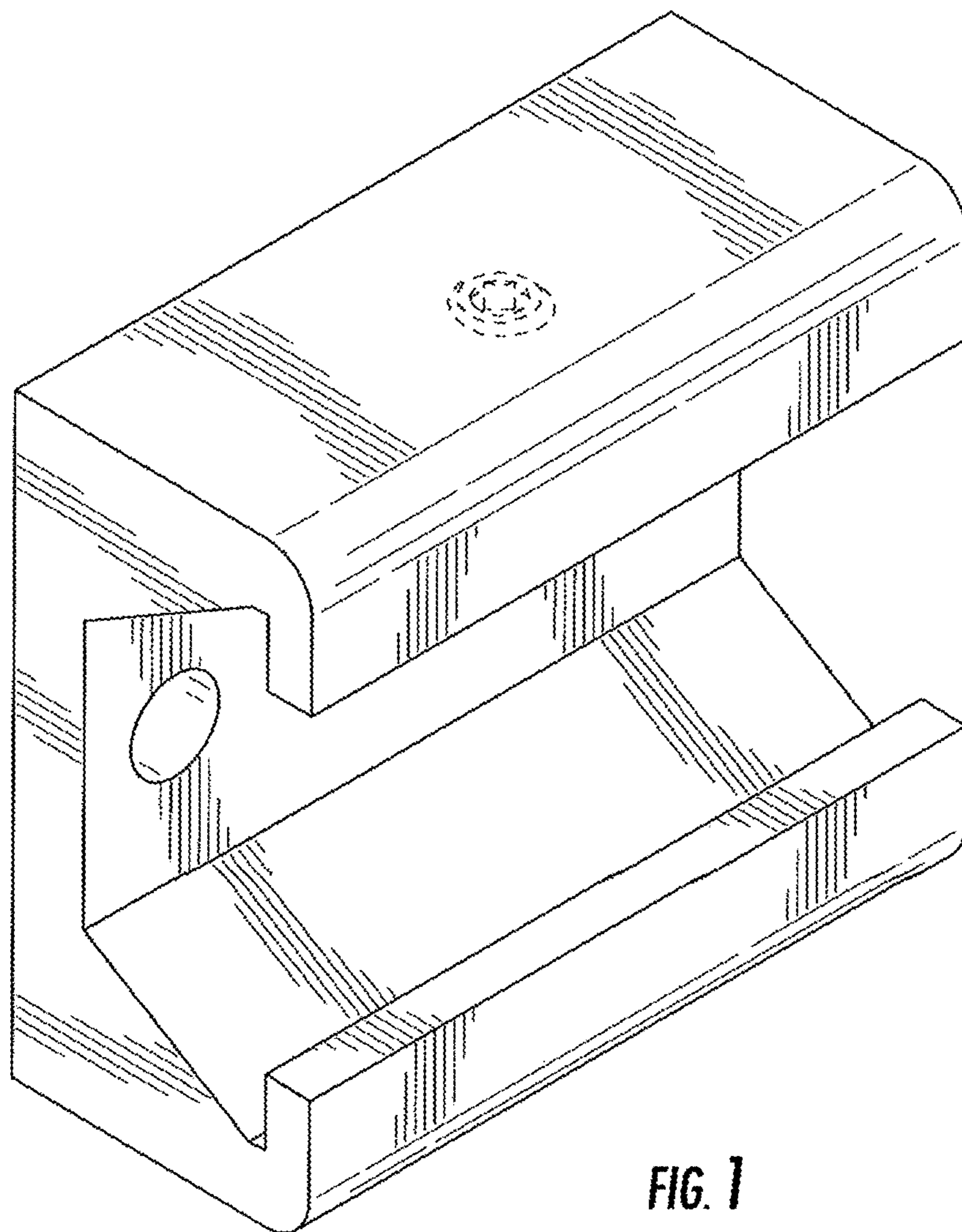


FIG. 1

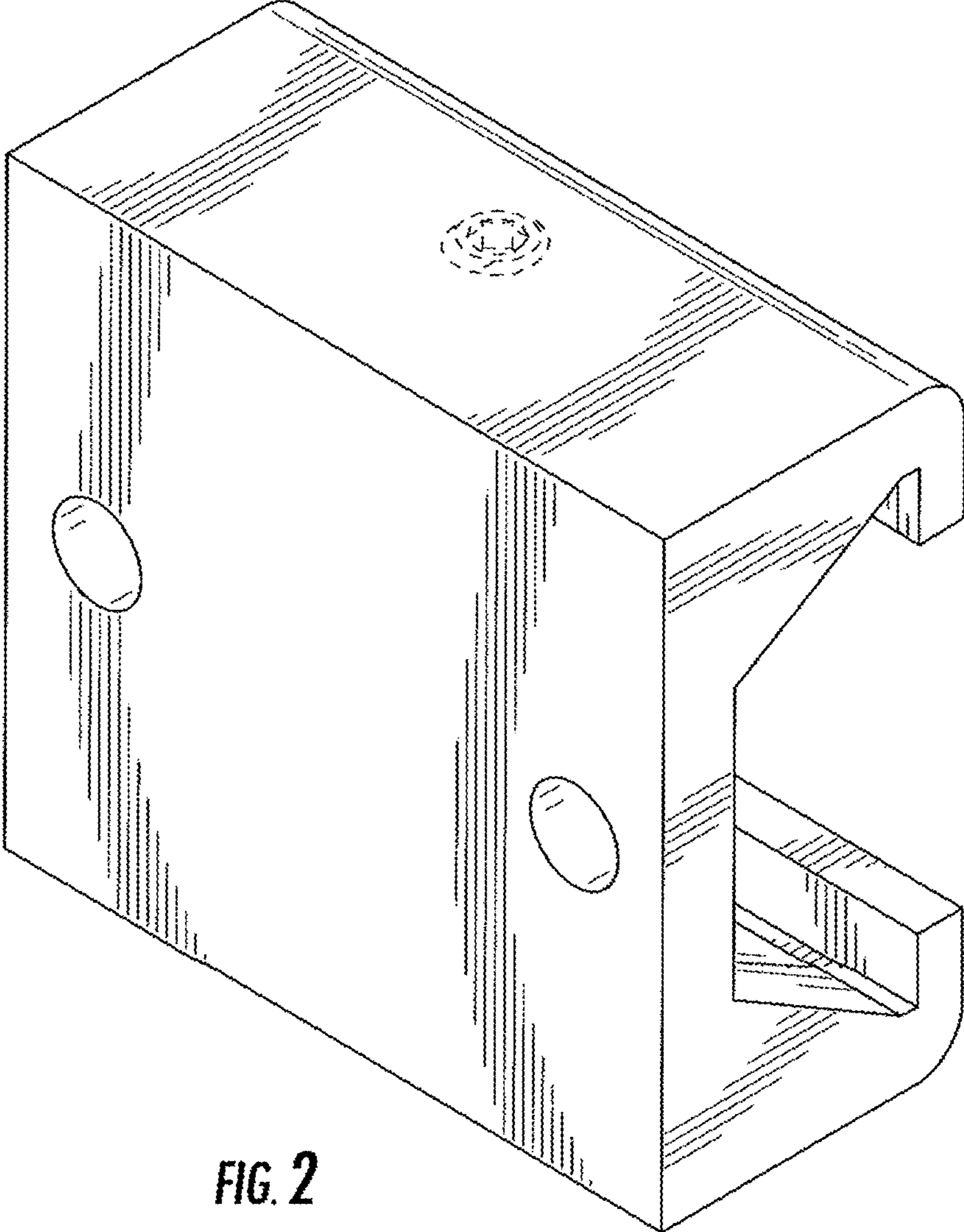


FIG. 2

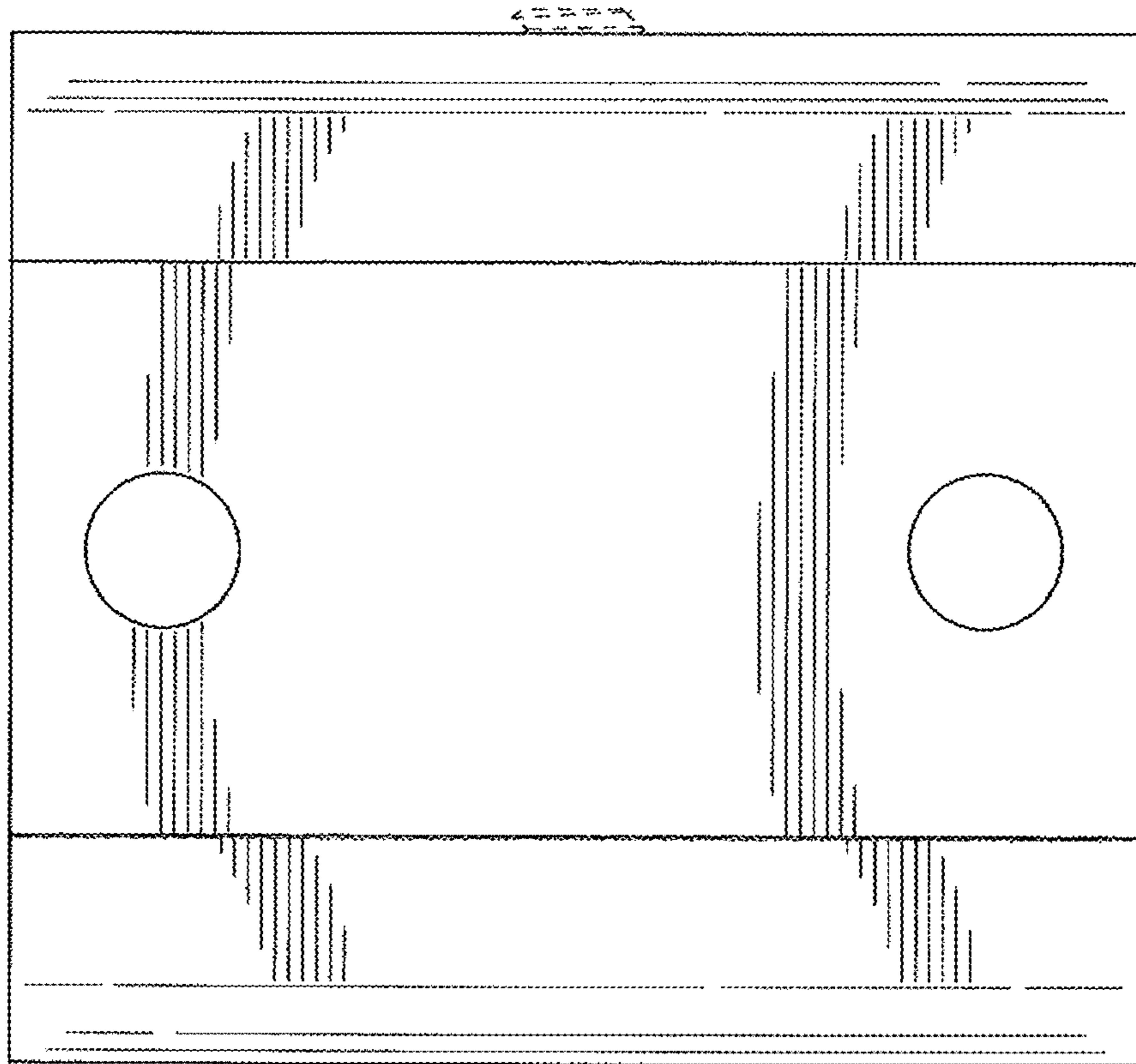


FIG. 3

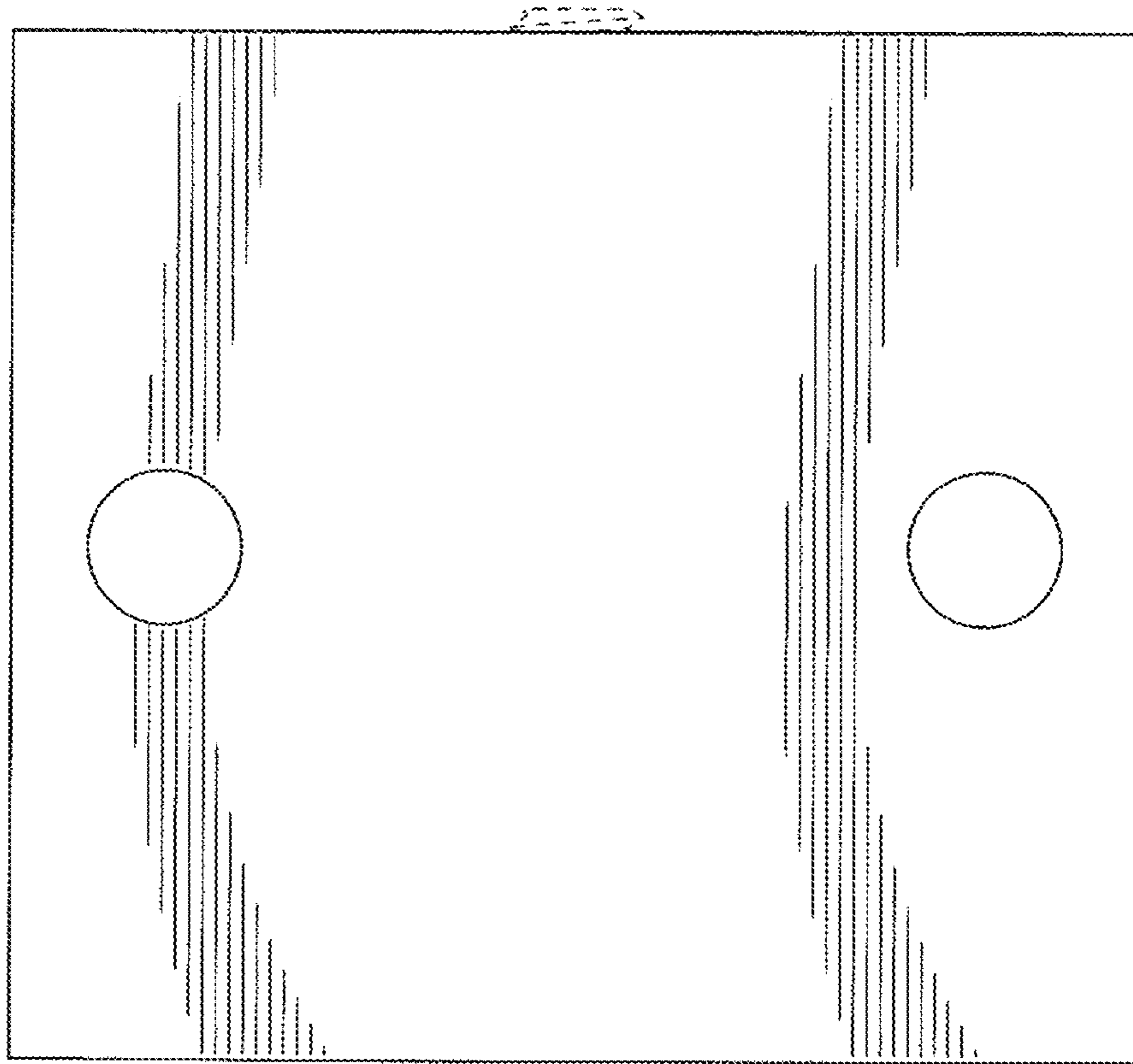


FIG. 4

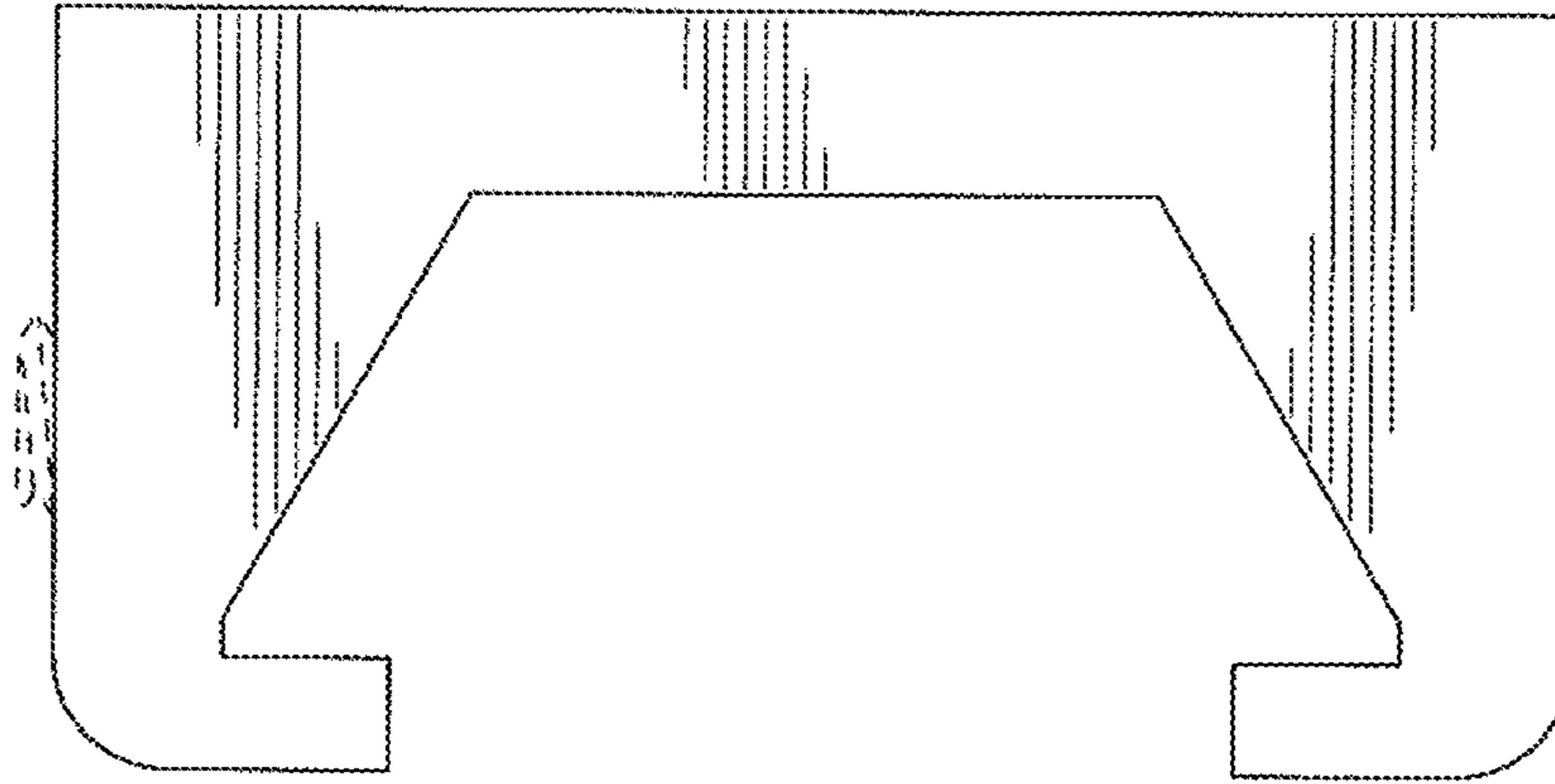


FIG. 5

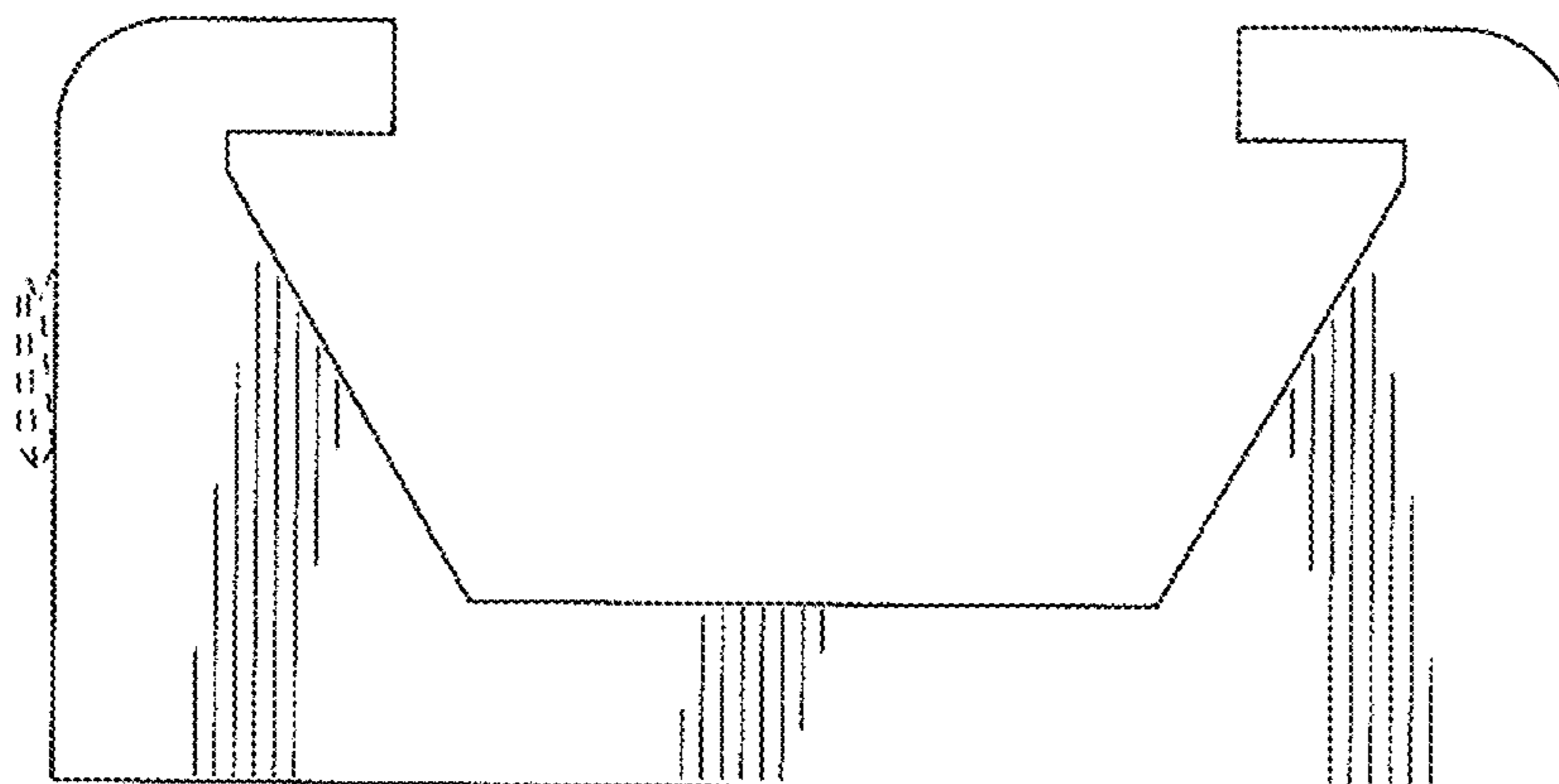


FIG. 6

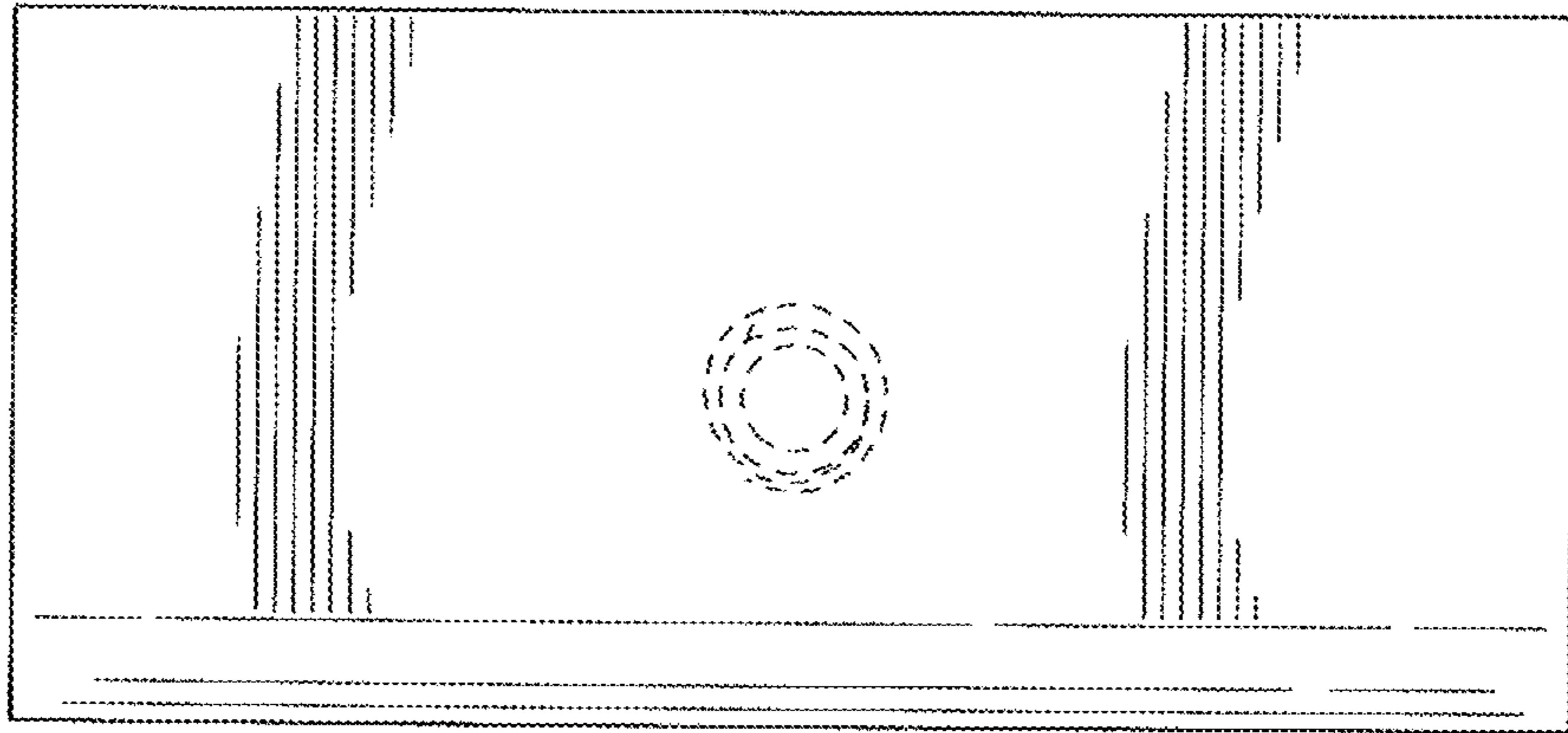


FIG. 7

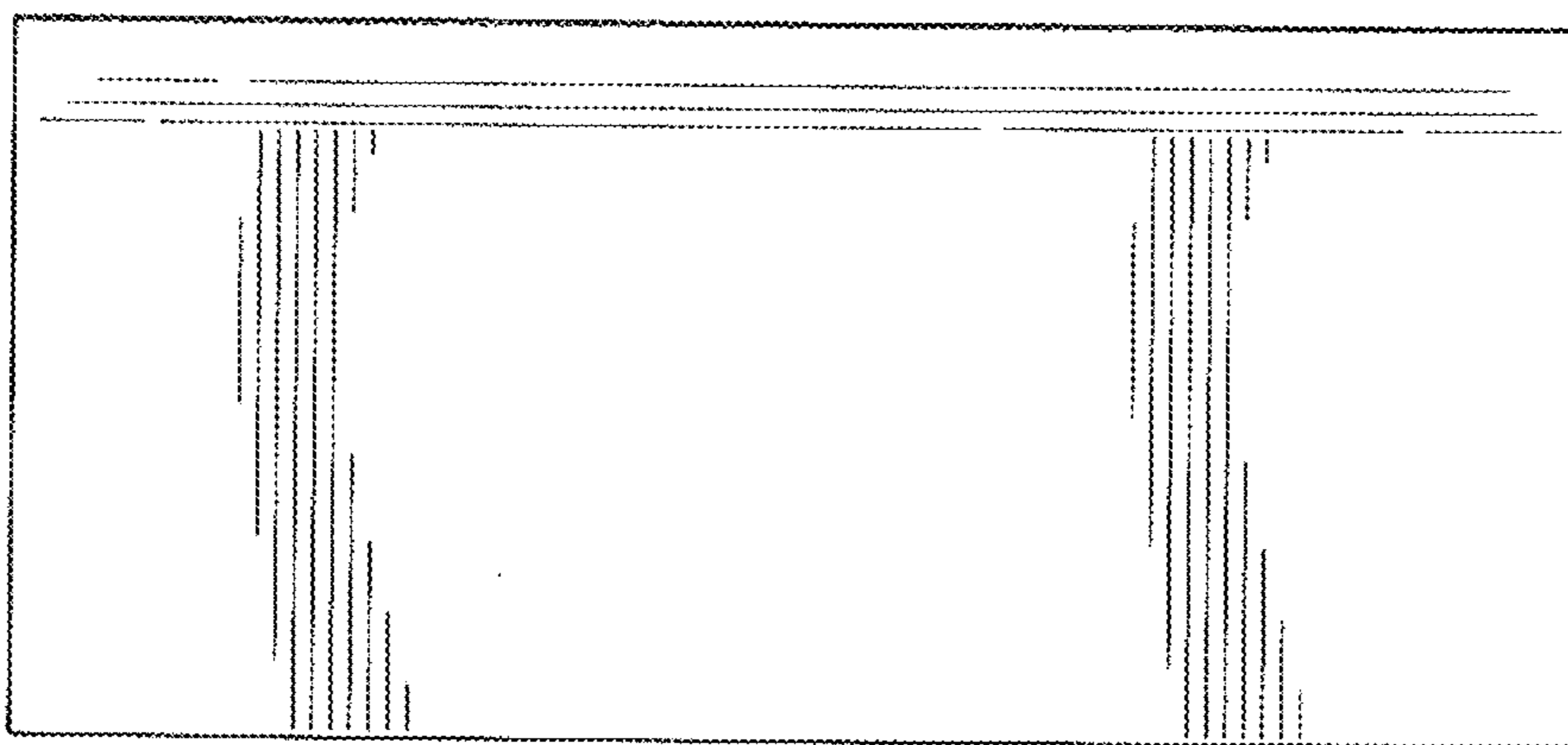


FIG. 8