



US00D903186S

(12) **United States Design Patent**  
**Chang**

(10) **Patent No.:** **US D903,186 S**

(45) **Date of Patent:** **\*\* Nov. 24, 2020**

(54) **LED LAMP**

(71) Applicant: **Herman Chang**, Rancho Dominguez,  
CA (US)

(72) Inventor: **Herman Chang**, Rancho Dominguez,  
CA (US)

(\*\*) Term: **15 Years**

(21) Appl. No.: **29/680,746**

(22) Filed: **Feb. 19, 2019**

(51) **LOC (12) Cl.** ..... **26-03**

(52) **U.S. Cl.**  
USPC ..... **D26/110**

(58) **Field of Classification Search**  
USPC ..... D26/24, 93, 95, 104, 106, 110  
CPC .... F21S 6/00; F21S 6/002; F21S 6/004; F21S  
6/008; F21S 8/08; F21V 21/00; F21V  
21/02; F21W 2131/30  
See application file for complete search history.

(56) **References Cited**

**U.S. PATENT DOCUMENTS**

D328,153 S \* 7/1992 Benghozi ..... D26/110  
D368,547 S \* 4/1996 Chen ..... D26/106

D393,917 S \* 4/1998 Hutton ..... D26/106  
D414,289 S \* 9/1999 Diaz-Azcuy ..... D26/110  
D590,092 S \* 4/2009 Starck ..... D26/93  
D606,236 S \* 12/2009 Sabernig ..... D26/93  
D647,242 S \* 10/2011 Staples ..... D26/110  
D790,108 S \* 6/2017 Starck ..... D26/110

\* cited by examiner

*Primary Examiner* — Brian N. Vinson

(74) *Attorney, Agent, or Firm* — Stefan J. Kirchanski;  
Matthew J. Spark; Zuber Lawler & Del Duca LLP

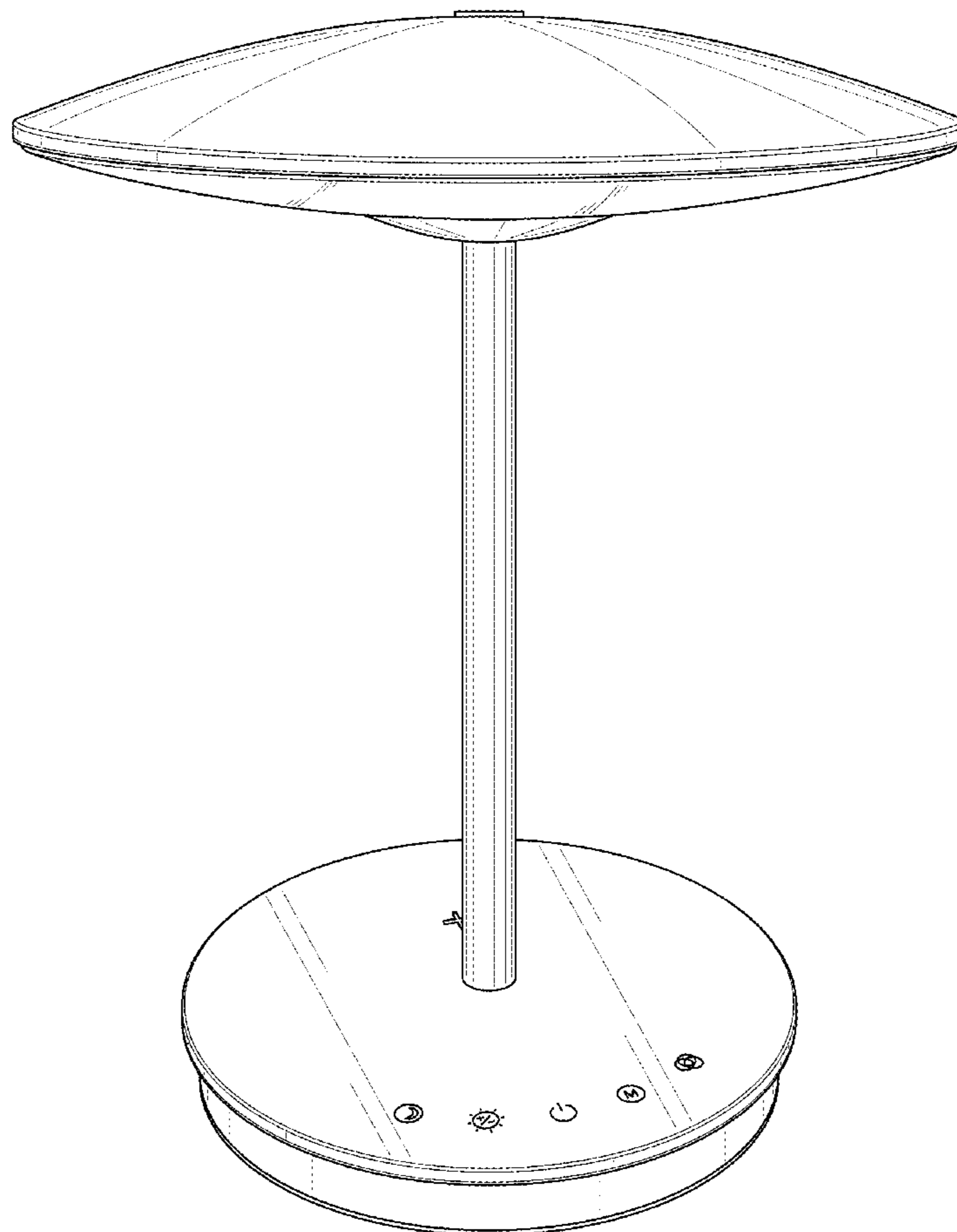
(57) **CLAIM**

The ornamental design for an LED lamp, as shown and described.

**DESCRIPTION**

FIG. 1 is a top perspective view of an LED lamp showing my new design;  
FIG. 2 is a front view thereof;  
FIG. 3 is a back view thereof;  
FIG. 4 is a right side view thereof;  
FIG. 5 is a left side view thereof;  
FIG. 6 is a top view thereof; and,  
FIG. 7 is a bottom view thereof.

**1 Claim, 7 Drawing Sheets**



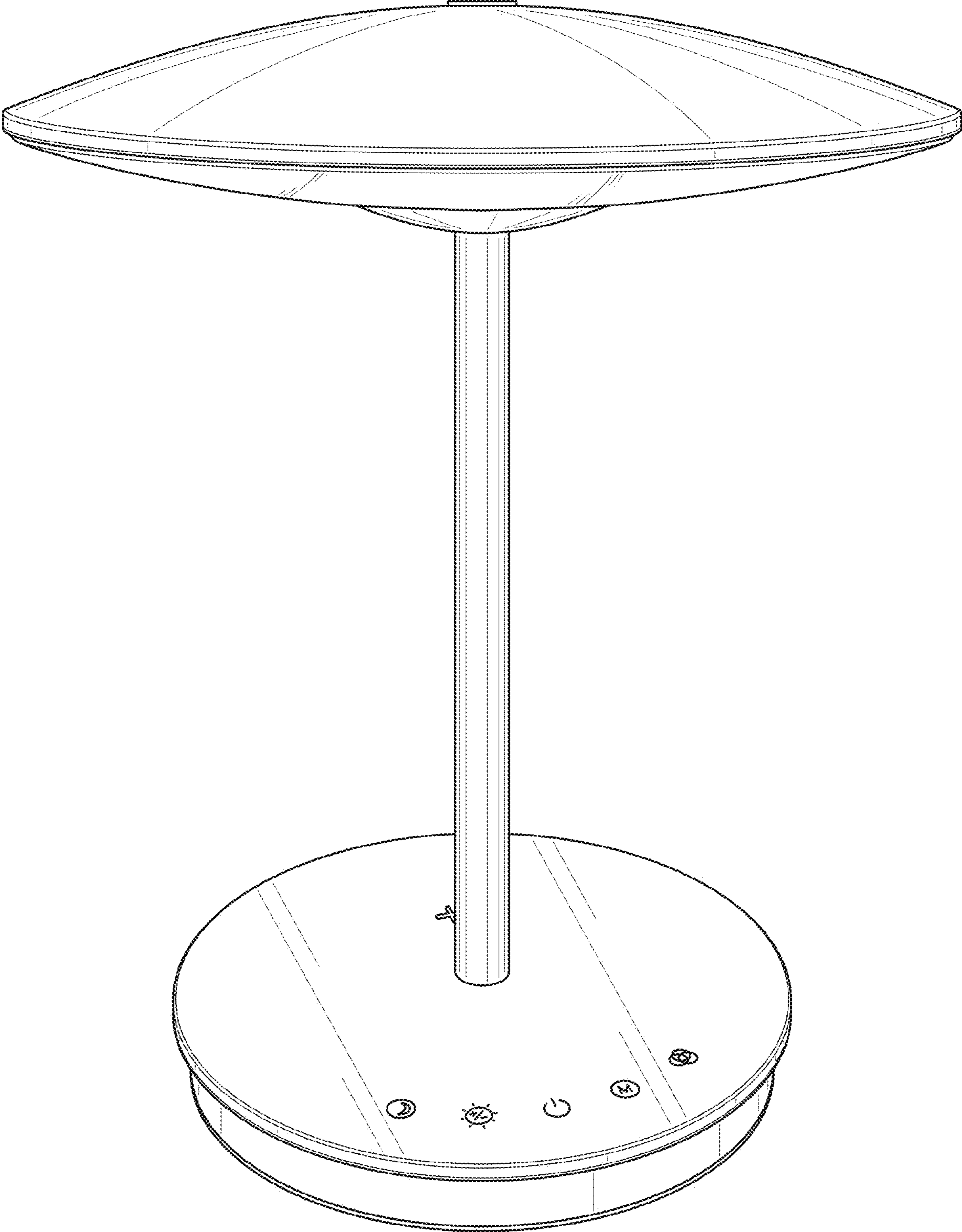


FIG. 1

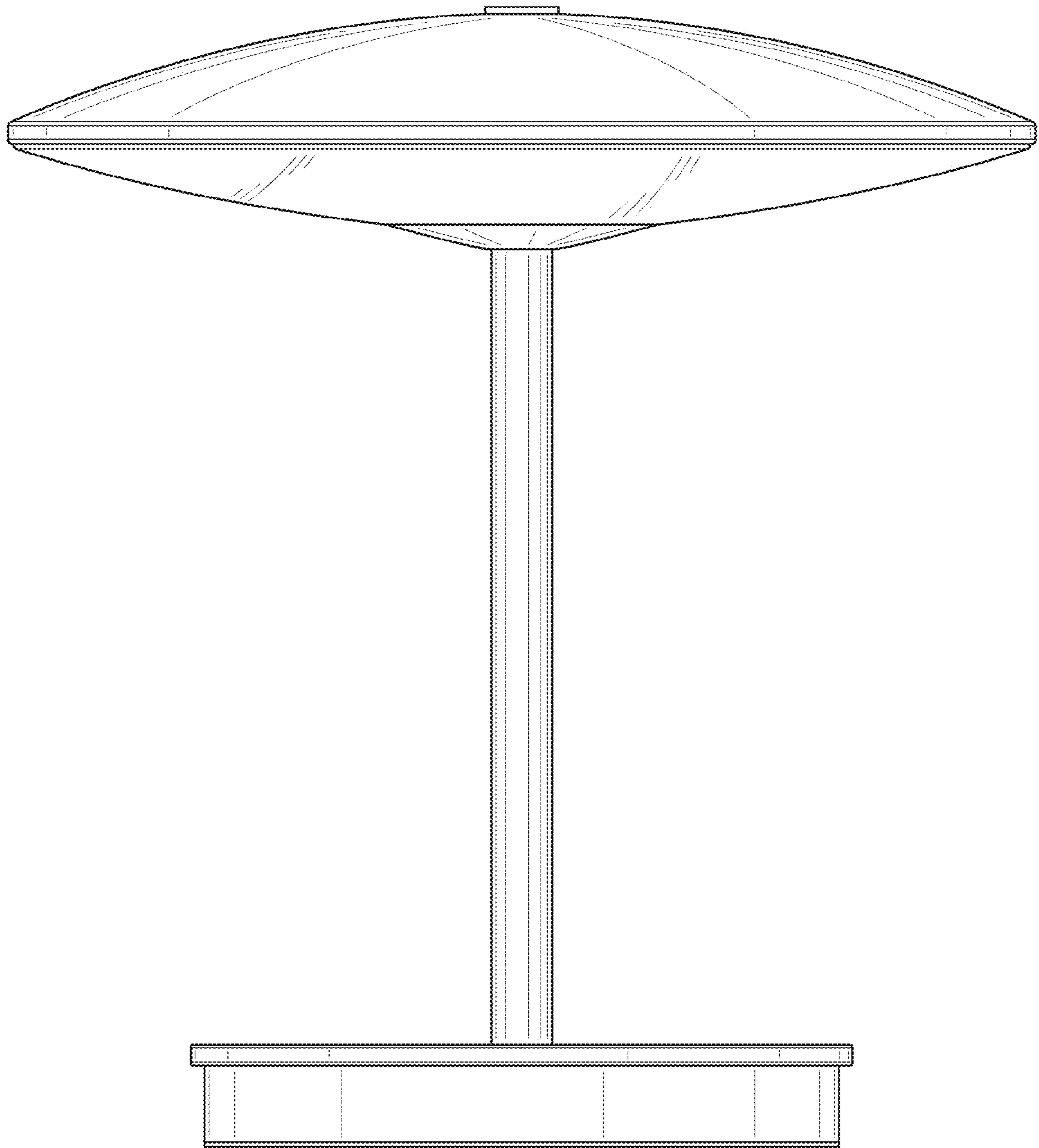


FIG. 2

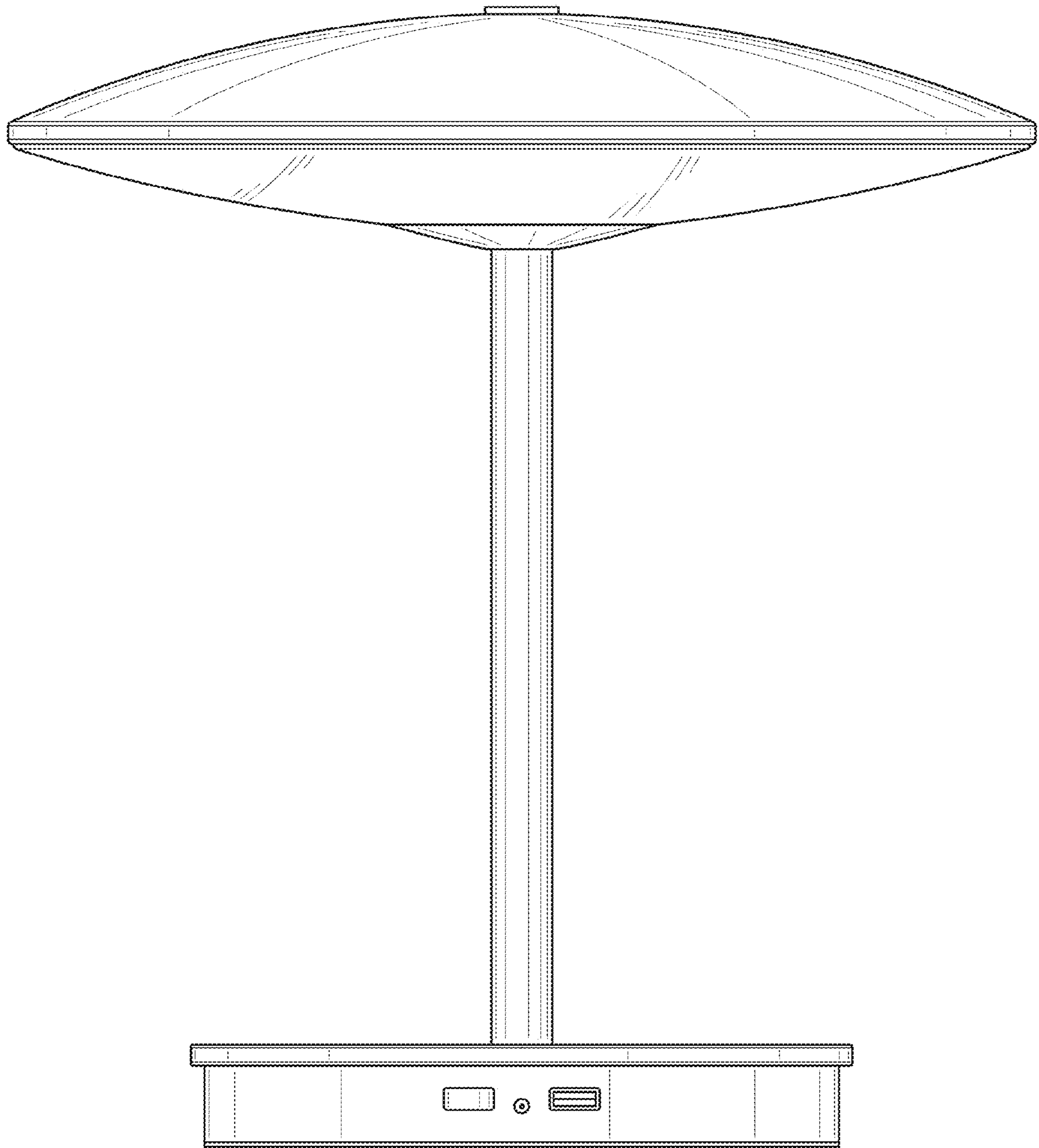


FIG. 3

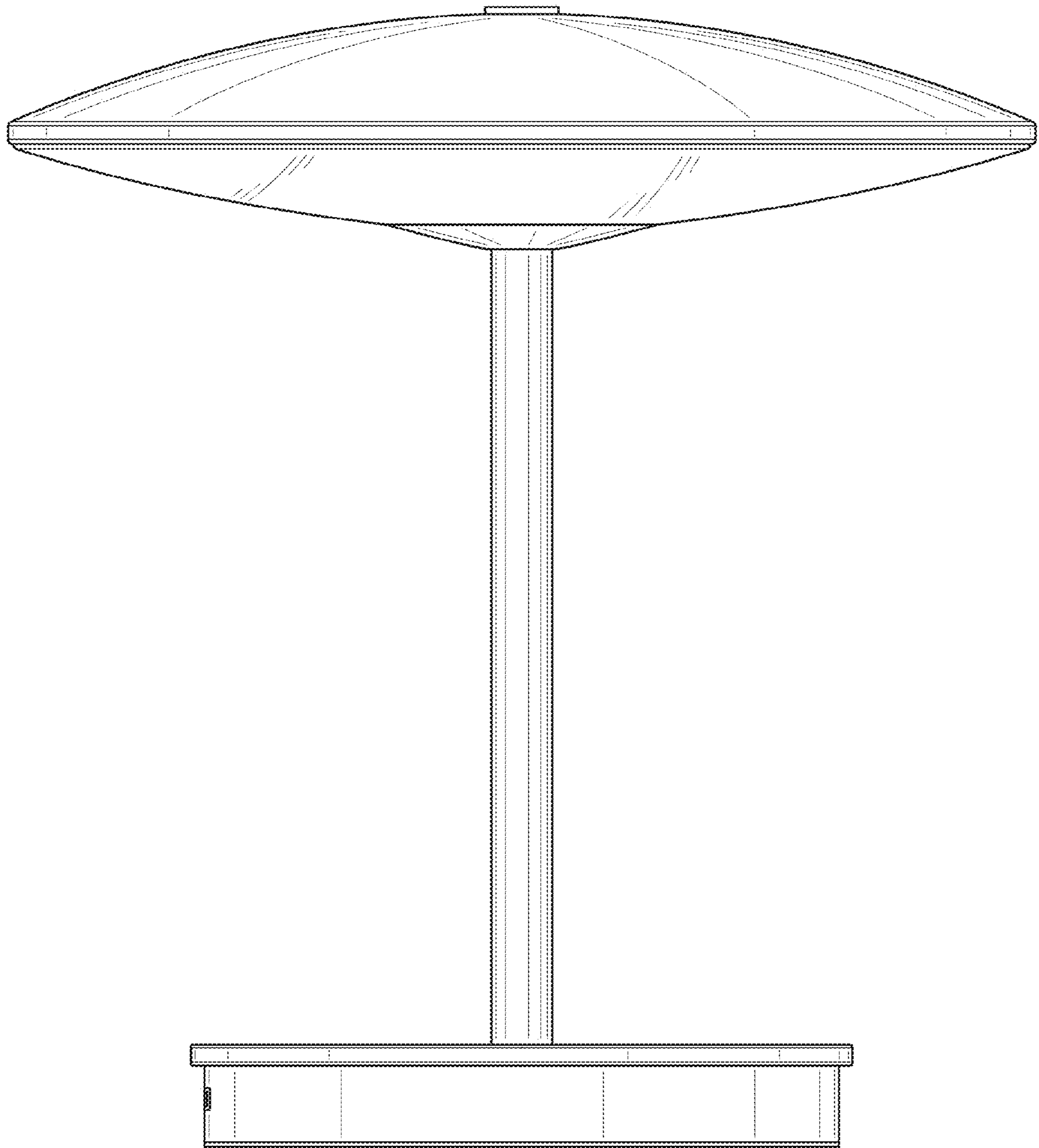


FIG. 4

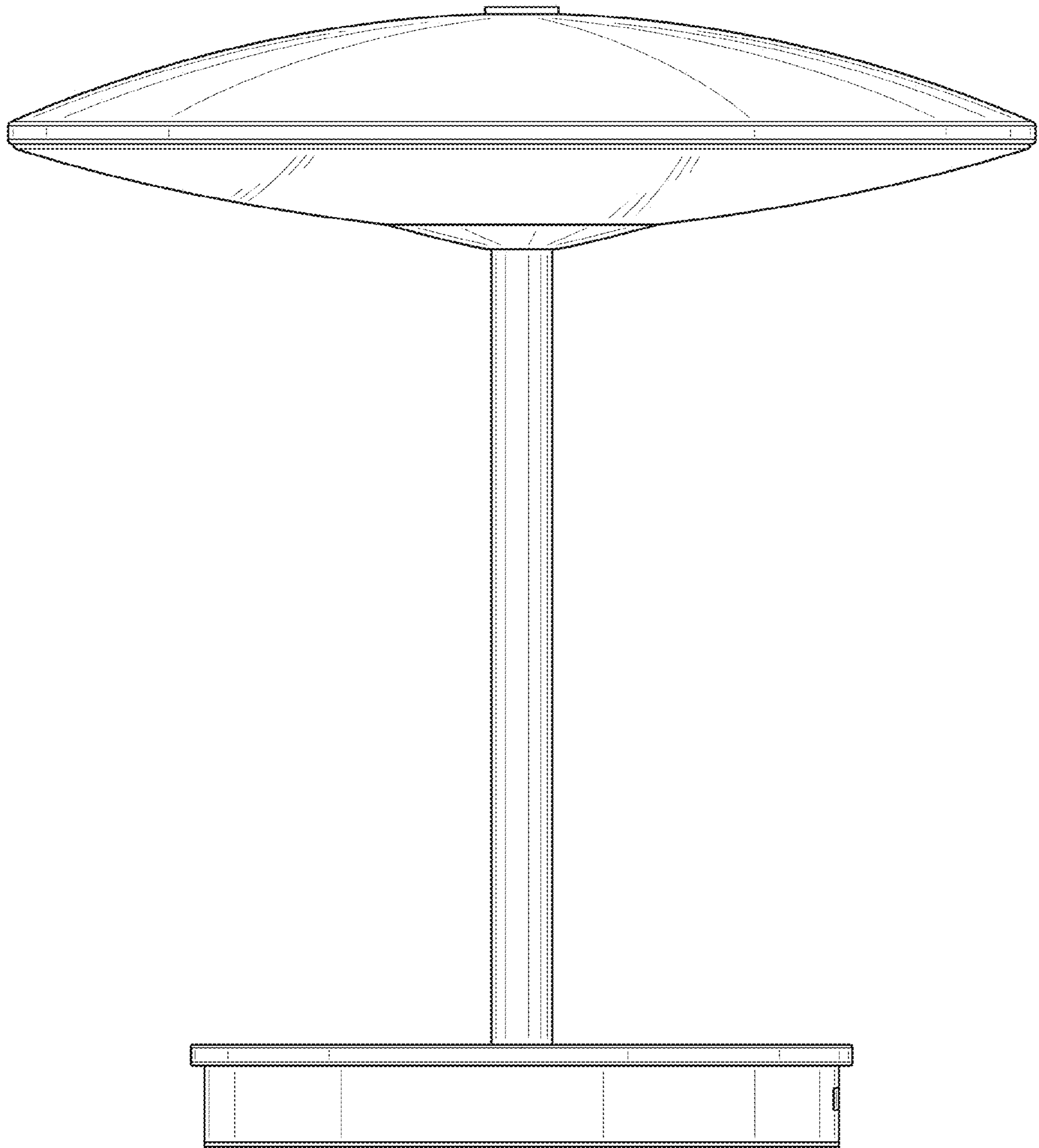


FIG. 5

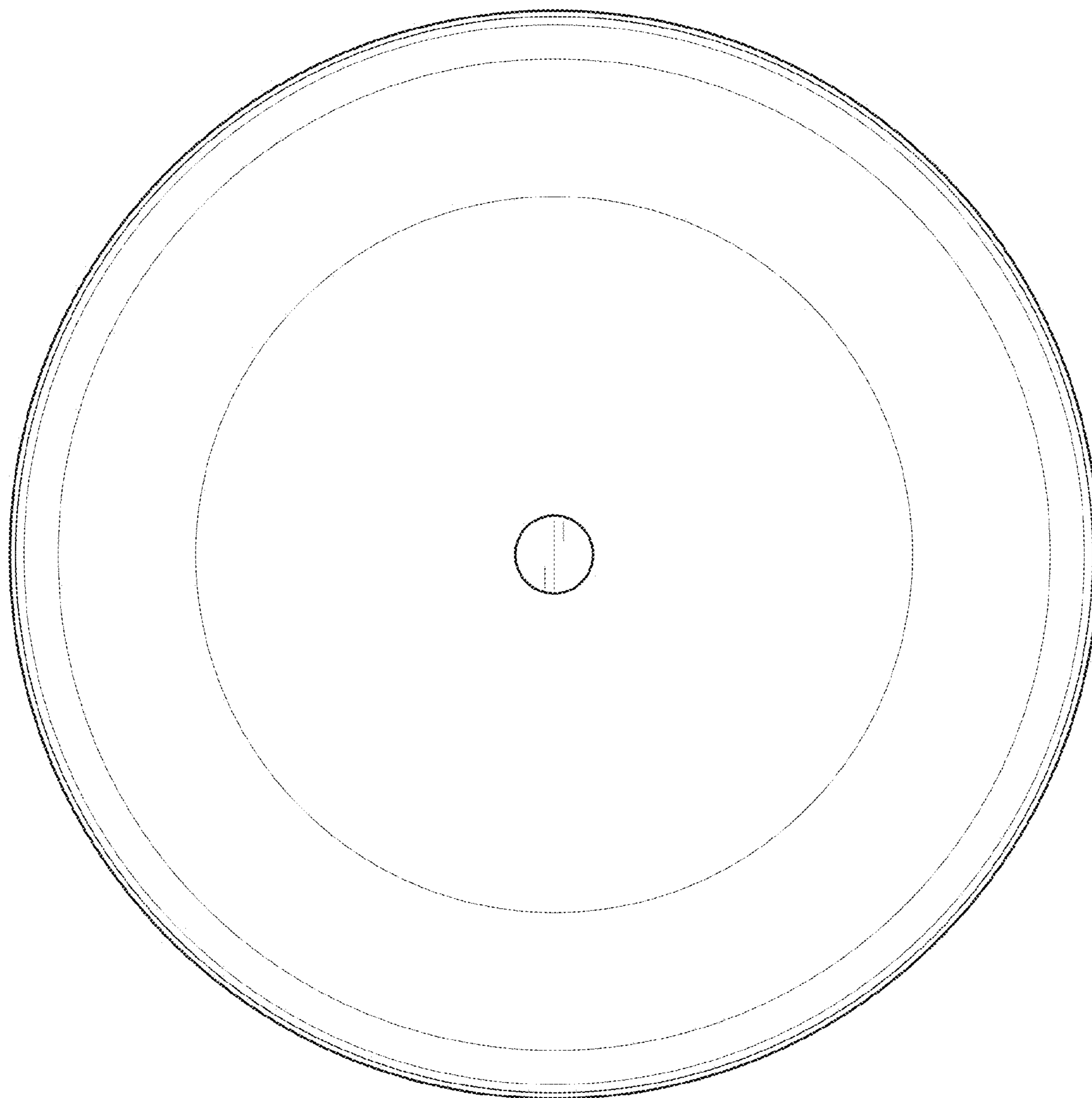


FIG. 6

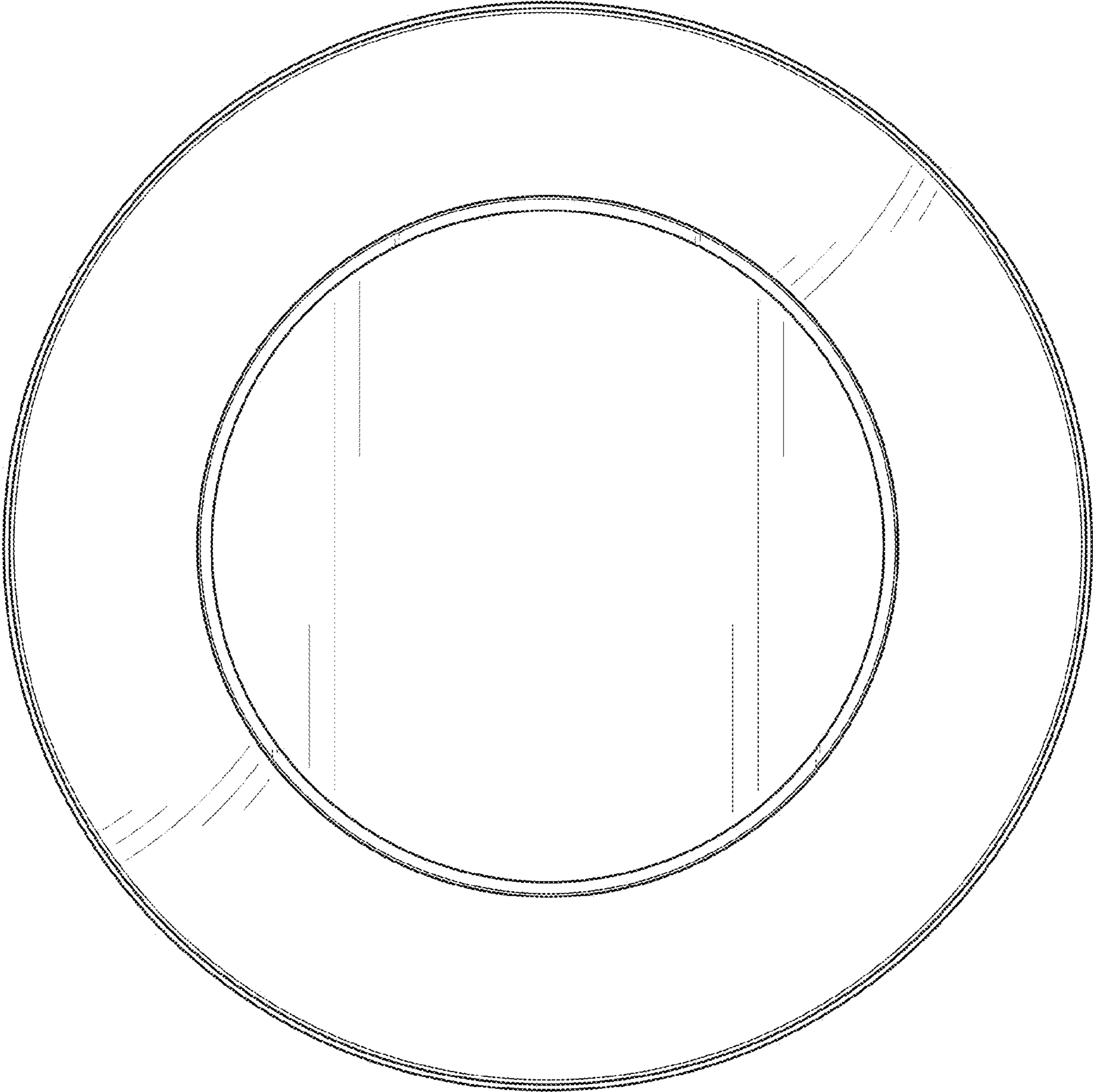


FIG. 7